



US00D643243S

(12) **United States Design Patent**
Harrod

(10) **Patent No.:** **US D643,243 S**

(45) **Date of Patent:** **** Aug. 16, 2011**

(54) **PIE MAKER**

(75) Inventor: **Richard Harrod**, Erskineville (AU)

(73) Assignee: **Breville Pty Limited**, Botany, New South Wales (AU)

(**) Term: **14 Years**

(21) Appl. No.: **29/381,783**

(22) Filed: **Dec. 22, 2010**

(30) **Foreign Application Priority Data**

Nov. 29, 2010 (AU) 201015284

(51) **LOC (9) Cl.** **07-02**

(52) **U.S. Cl.** **D7/352**

(58) **Field of Classification Search** D7/323,
D7/328-332, 334-341, 347-348, 350.1, 351-363;
99/324-325, 331, 339-340, 349, 353, 358,
99/369, 372-377, 380-389, 392, 425, 444;
219/386, 524-525, 620-622, 732-734; 425/293,
425/346; 426/549

See application file for complete search history.

(56) **References Cited**

U.S. PATENT DOCUMENTS

1,663,719	A *	3/1928	Morley	426/549
2,232,633	A *	2/1941	Richardson	425/293
2,249,667	A *	7/1941	Richardson	425/346
D167,757	S *	9/1952	Morgan	D7/352
D175,547	S *	9/1955	Josephson	D7/352
3,696,734	A *	10/1972	Beasley et al.	99/331
3,719,507	A *	3/1973	Bardeau	99/375
D235,610	S *	7/1975	Giguere	D7/352
3,948,159	A *	4/1976	Vigerstrom	99/358
4,206,345	A *	6/1980	Maass et al.	219/524

D262,425	S *	12/1981	Thelander	D7/357
D262,430	S *	12/1981	Thelander	D7/357
5,253,565	A *	10/1993	Burton	99/374
D342,417	S *	12/1993	McClellan	D7/352
D375,868	S *	11/1996	Larson	D7/361
5,596,922	A *	1/1997	Chan	99/380
5,613,426	A *	3/1997	Chan Gabbai	99/375
D436,794	S *	1/2001	McClellan	D7/352
D452,109	S *	12/2001	Hensel	D7/352
D466,361	S *	12/2002	Wanat et al.	D7/352
D479,665	S *	9/2003	Barker	D7/352
D539,074	S *	3/2007	Lubowicki	D7/352
7,285,751	B2 *	10/2007	Li	219/386
D572,968	S *	7/2008	Doo	D7/352
D589,294	S *	3/2009	Averty	D7/356
D632,127	S *	2/2011	Whitcombe	D7/352

* cited by examiner

Primary Examiner — Ricky Pham

(74) *Attorney, Agent, or Firm* — Molins & Co

(57) **CLAIM**

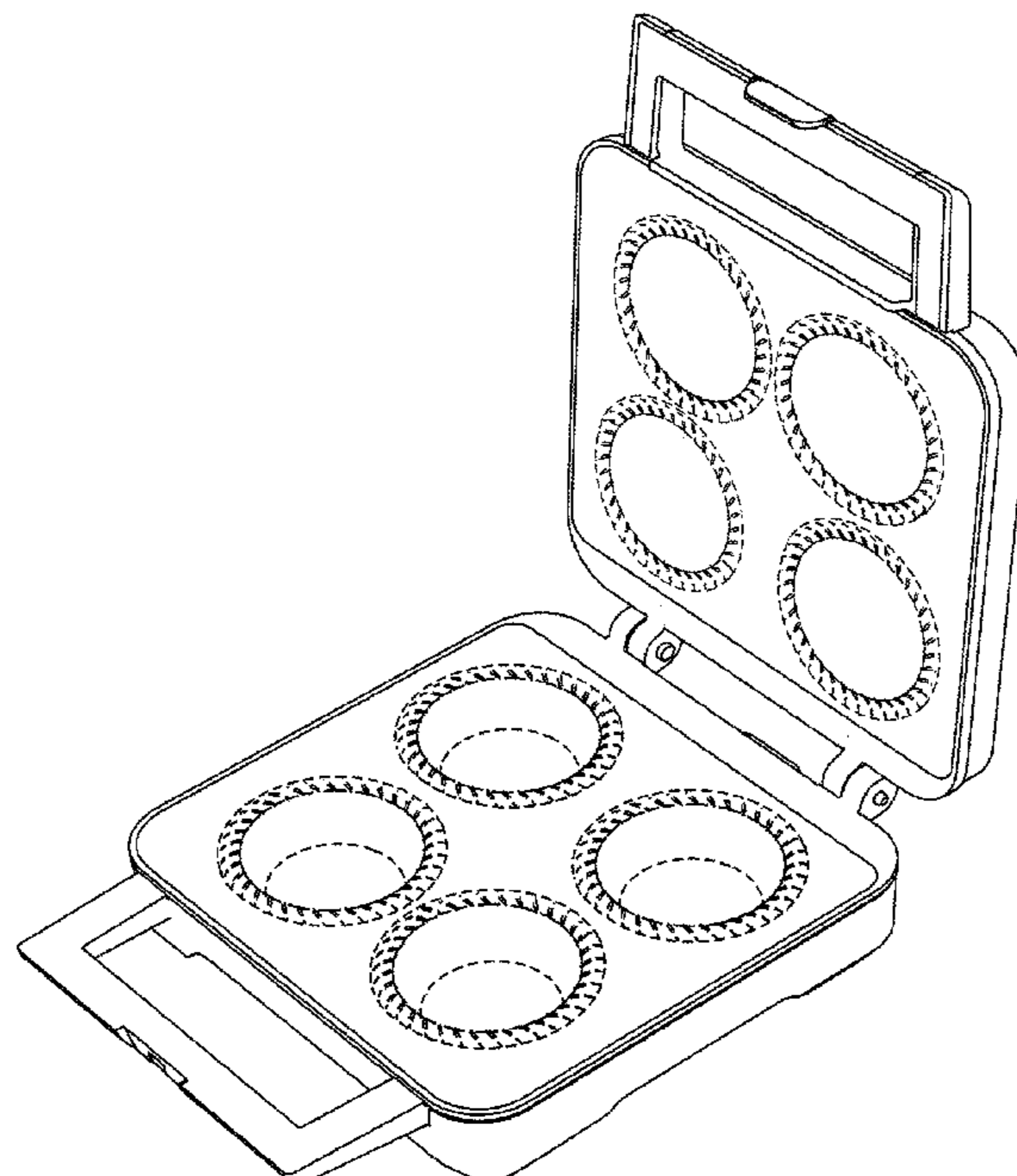
The ornamental design for a pie maker, as shown and described.

DESCRIPTION

FIG. 1 is a right perspective view of a pie maker showing my new design;
FIG. 2 is a left perspective view thereof;
FIG. 3 is a top view thereof;
FIG. 4 is a bottom view thereof;
FIG. 5 is a front view thereof;
FIG. 6 is a rear view thereof;
FIG. 7 is a left view thereof; and,
FIG. 8 is a right view thereof.

The broken lines shown in the drawings are for illustrative purposes only and form no part of the claimed design.

1 Claim, 8 Drawing Sheets



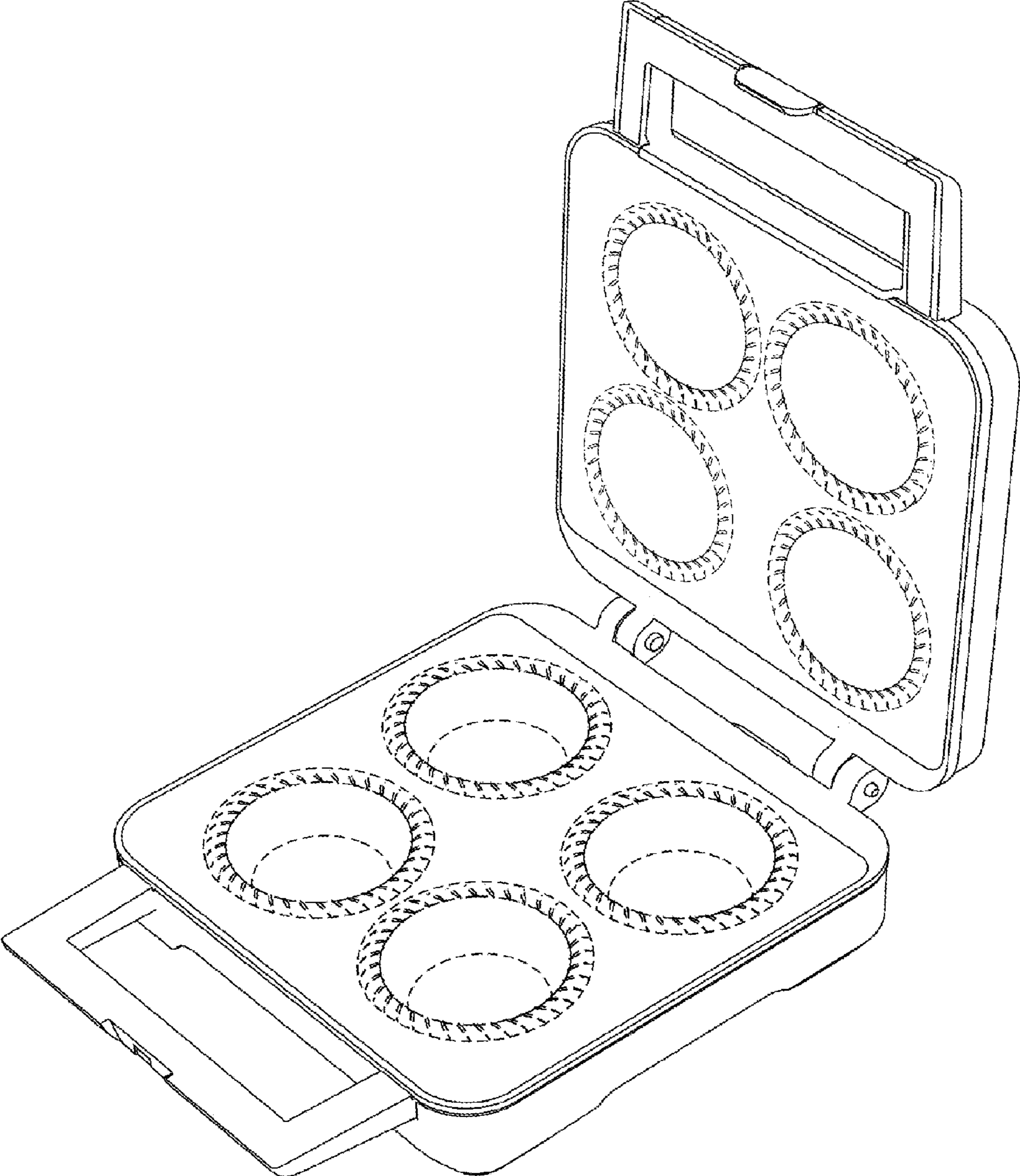


Figure 1

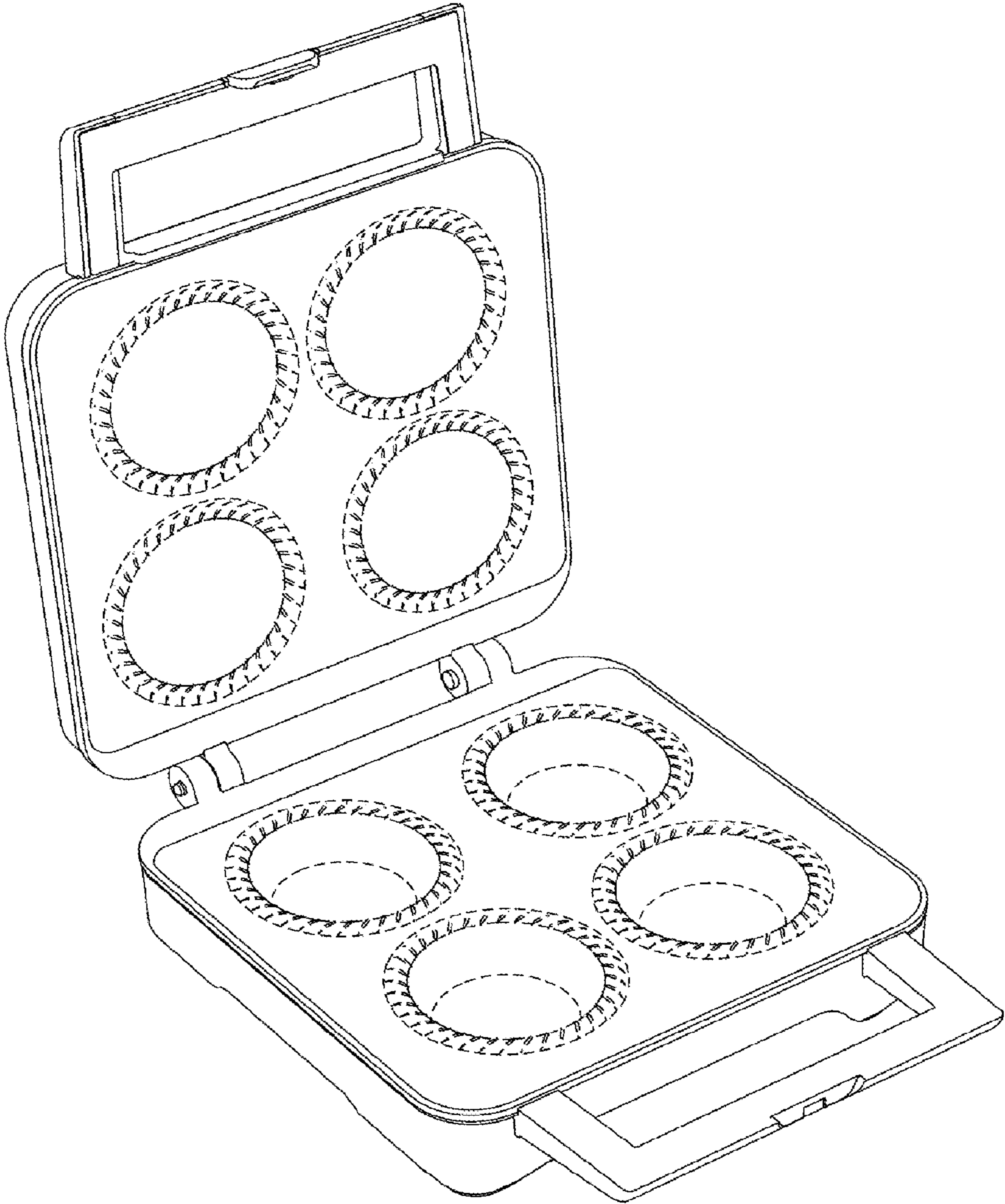


Figure 2

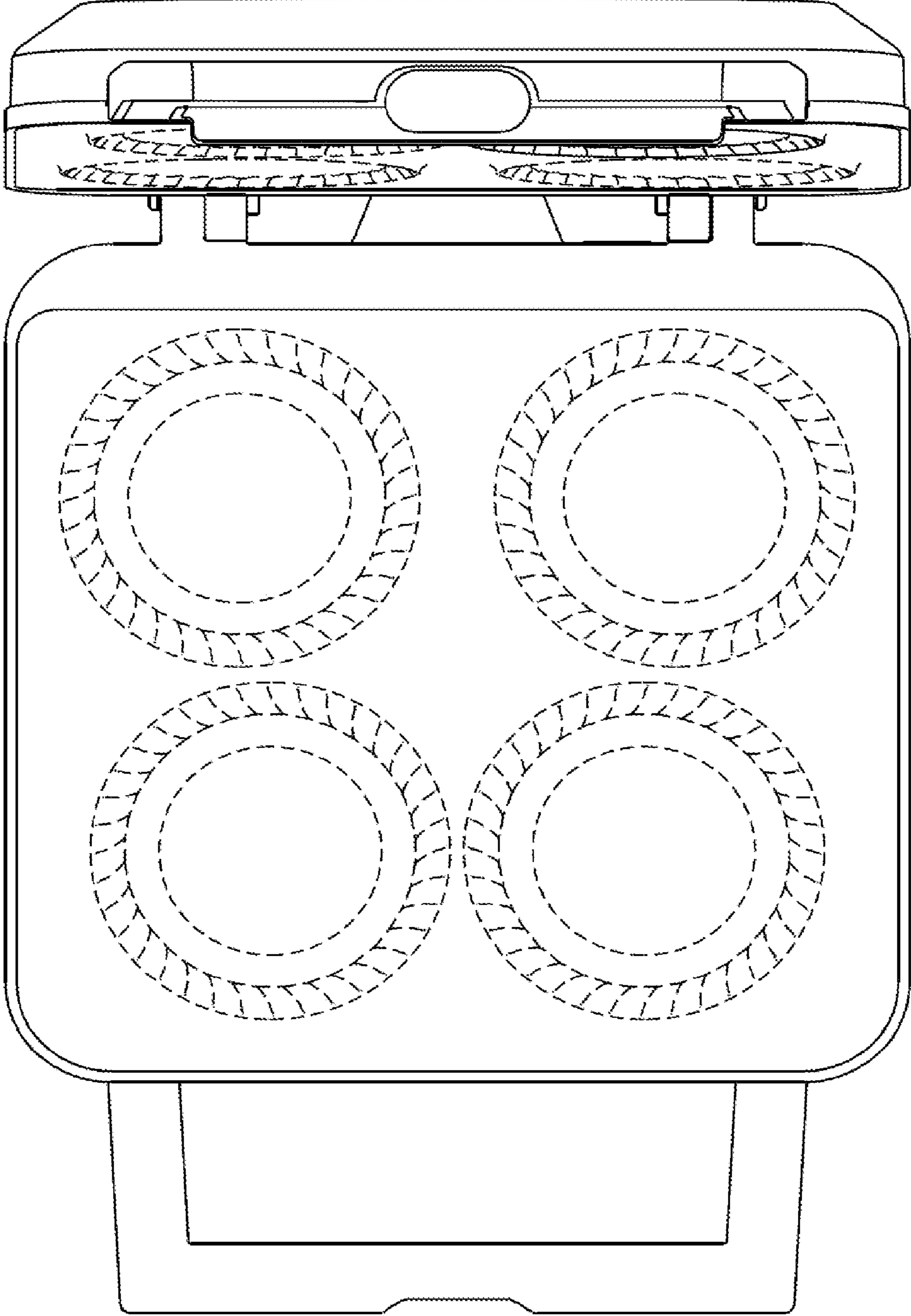


Figure 3

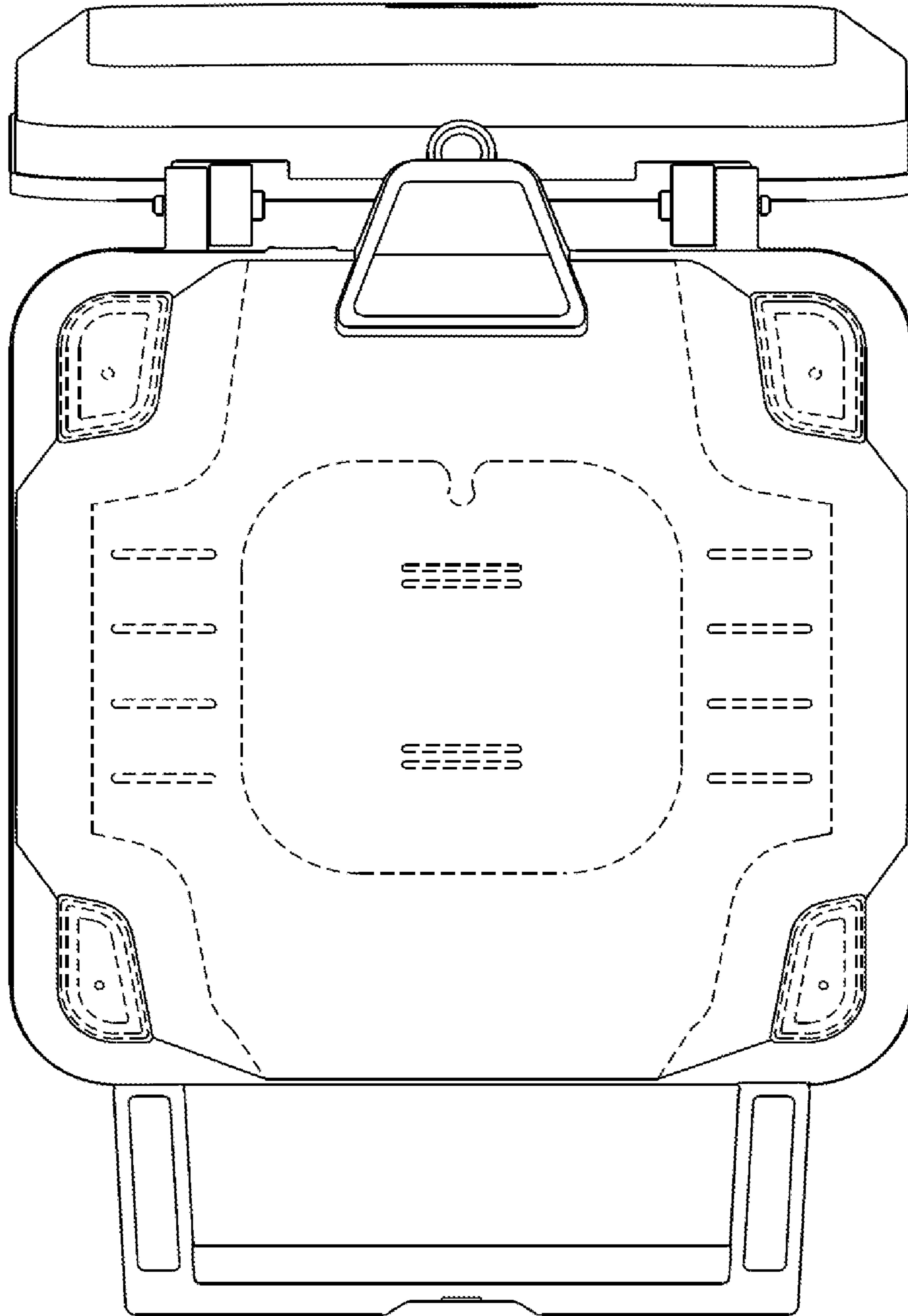


Figure 4

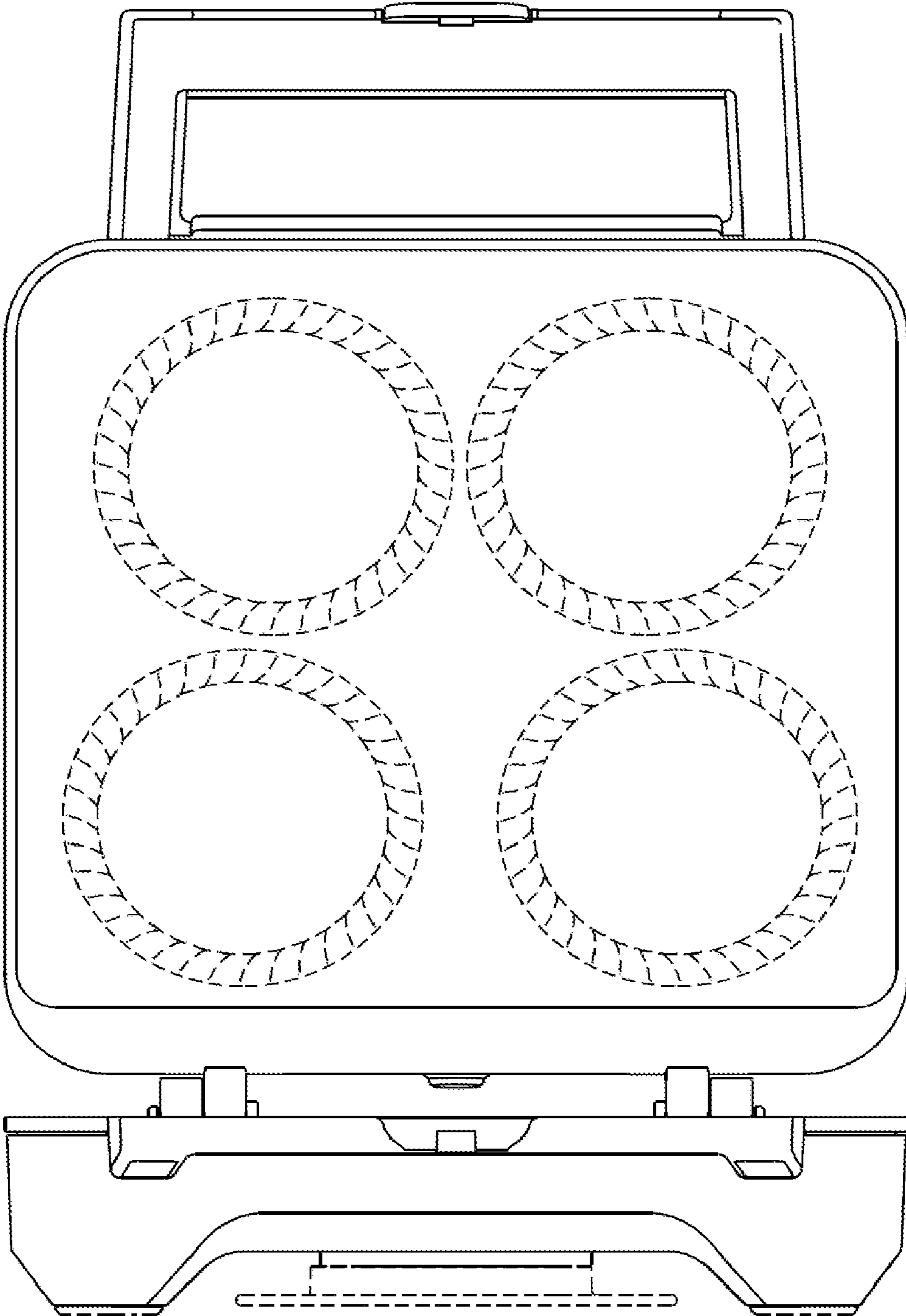


Figure 5

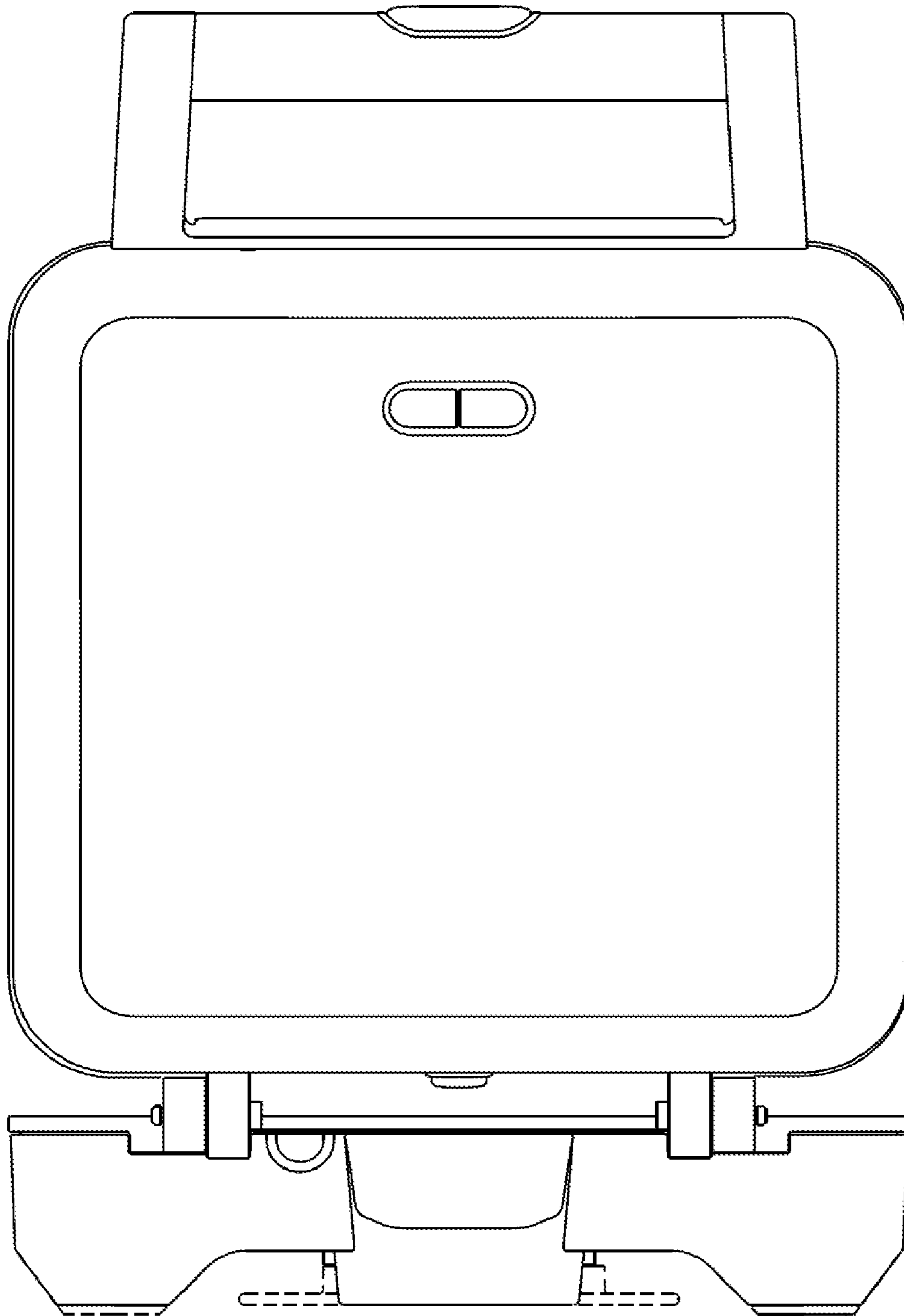


Figure 6

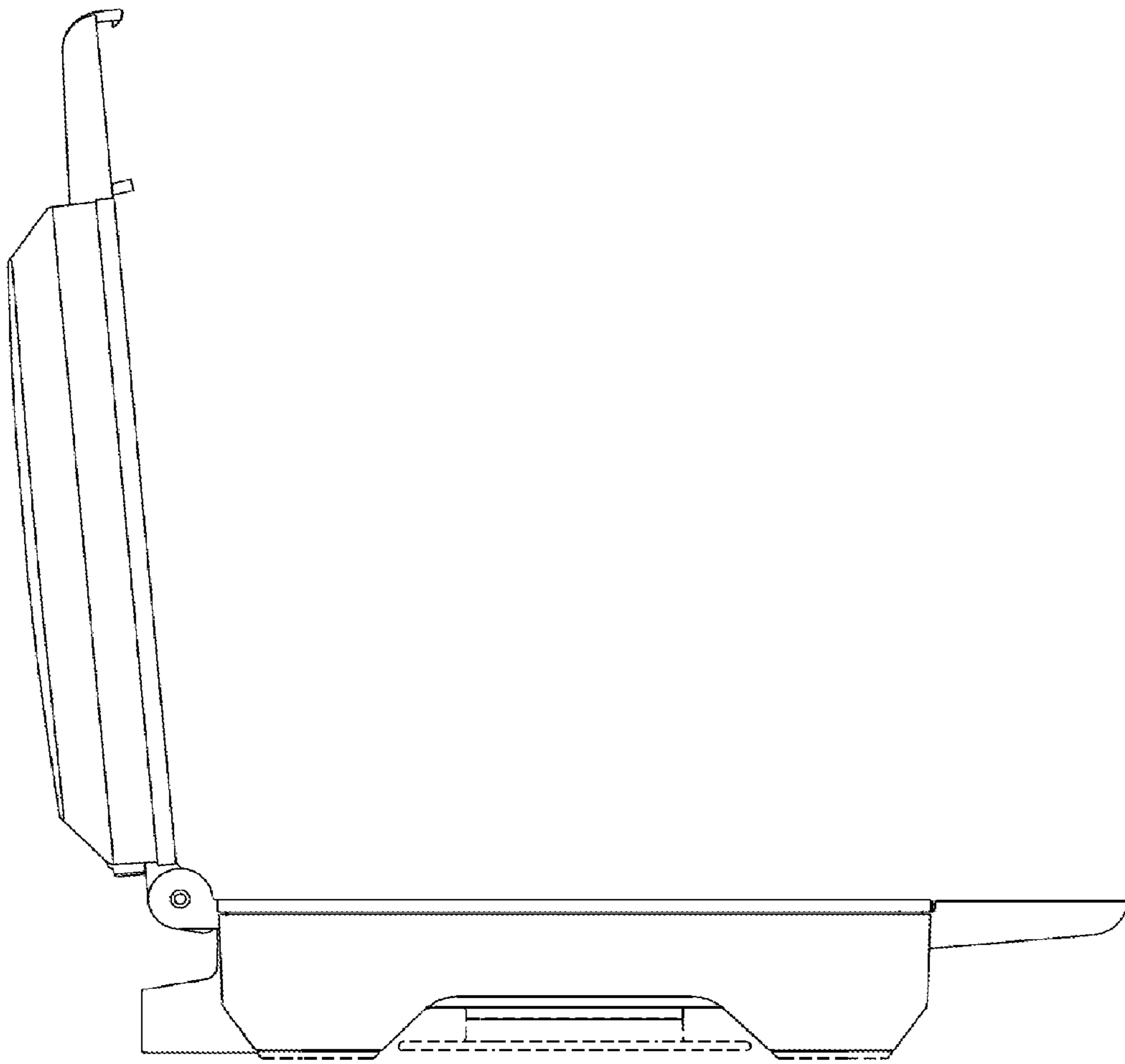


Figure 7

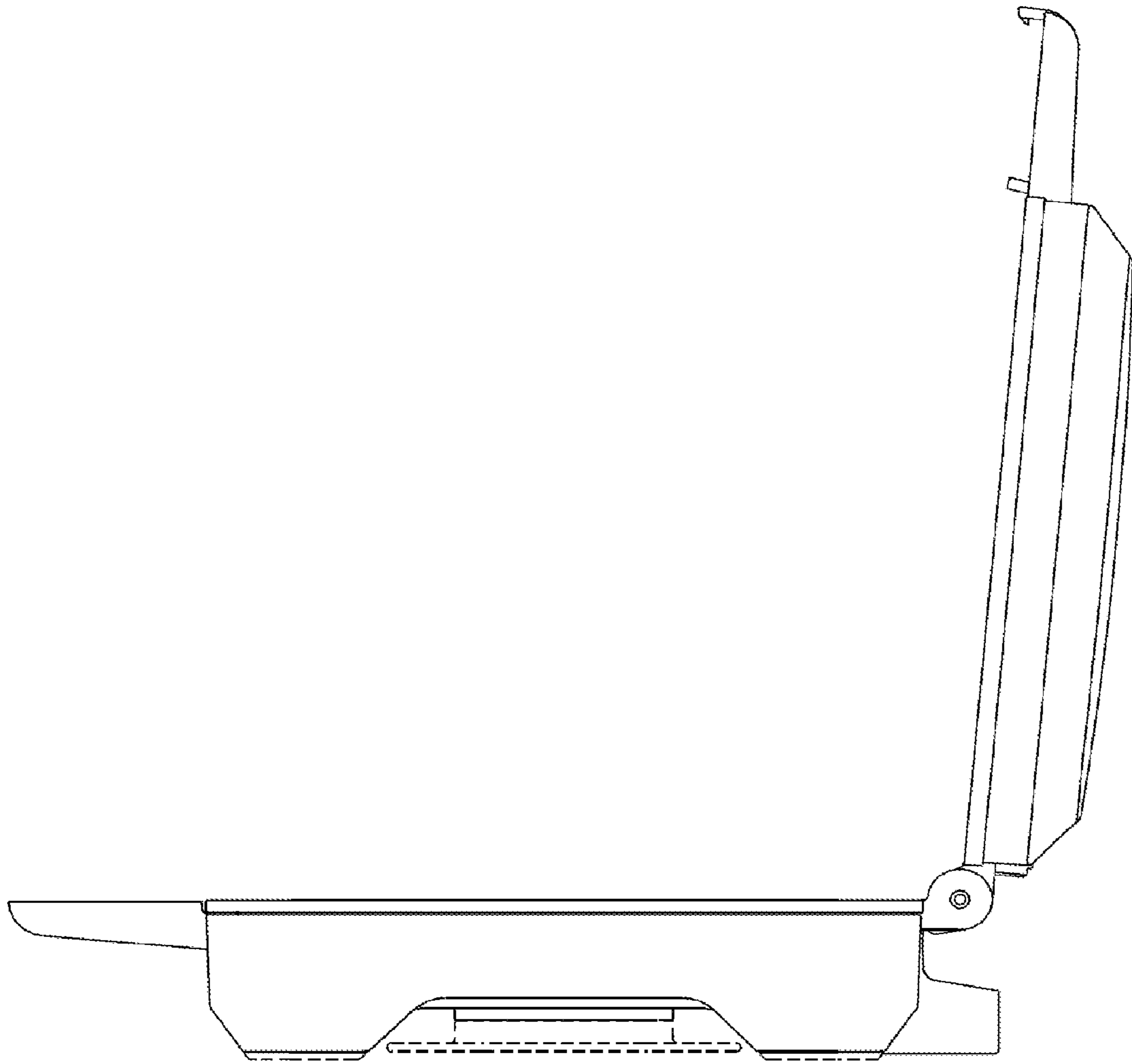


Figure 8