



US00D643242S

(12) **United States Design Patent**
Butler

(10) **Patent No.:** **US D643,242 S**

(45) **Date of Patent:** **** Aug. 16, 2011**

(54) **BEVERAGE CARAFE**

(75) Inventor: **Margaret F. Butler**, Raleigh, NC (US)

(73) Assignee: **Hamilton Beach Brands, Inc.**, Glen Allen, VA (US)

(**) Term: **14 Years**

(21) Appl. No.: **29/390,197**

(22) Filed: **Apr. 21, 2011**

Related U.S. Application Data

(62) Division of application No. 29/357,476, filed on Mar. 12, 2010, now Pat. No. Des. 638,651.

(51) **LOC (9) Cl.** **07-01**

(52) **U.S. Cl.** **D7/319; D7/317**

(58) **Field of Classification Search** D7/392, D7/394, 397; 222/475.1, 473; 99/300; 220/592.16
See application file for complete search history.

(56) **References Cited**

U.S. PATENT DOCUMENTS

D268,319 S * 3/1983 Donoski et al. D7/318
D326,206 S * 5/1992 Rakocy et al. D7/317
D354,879 S * 1/1995 Ullmann D7/317

5,379,925 A * 1/1995 Mothrath et al. 222/475.1
5,476,186 A * 12/1995 Reilly 220/212
5,505,120 A * 4/1996 Albertson 99/286
5,515,995 A * 5/1996 Allen et al. 220/592.16
6,561,390 B2 * 5/2003 Boyte et al. 222/475.1
D475,333 S * 6/2003 Chiang D12/173

* cited by examiner

Primary Examiner — Marianne Pandozzi

(74) *Attorney, Agent, or Firm* — Alexander D. Raring

(57) **CLAIM**

The ornamental design for a beverage carafe, as shown and described.

DESCRIPTION

FIG. 1 is a perspective view as seen from the top, rear and left side of a beverage carafe showing the new design;

FIG. 2 is a rear view thereof;

FIG. 3 is a left side view thereof;

FIG. 4 is a front view thereof;

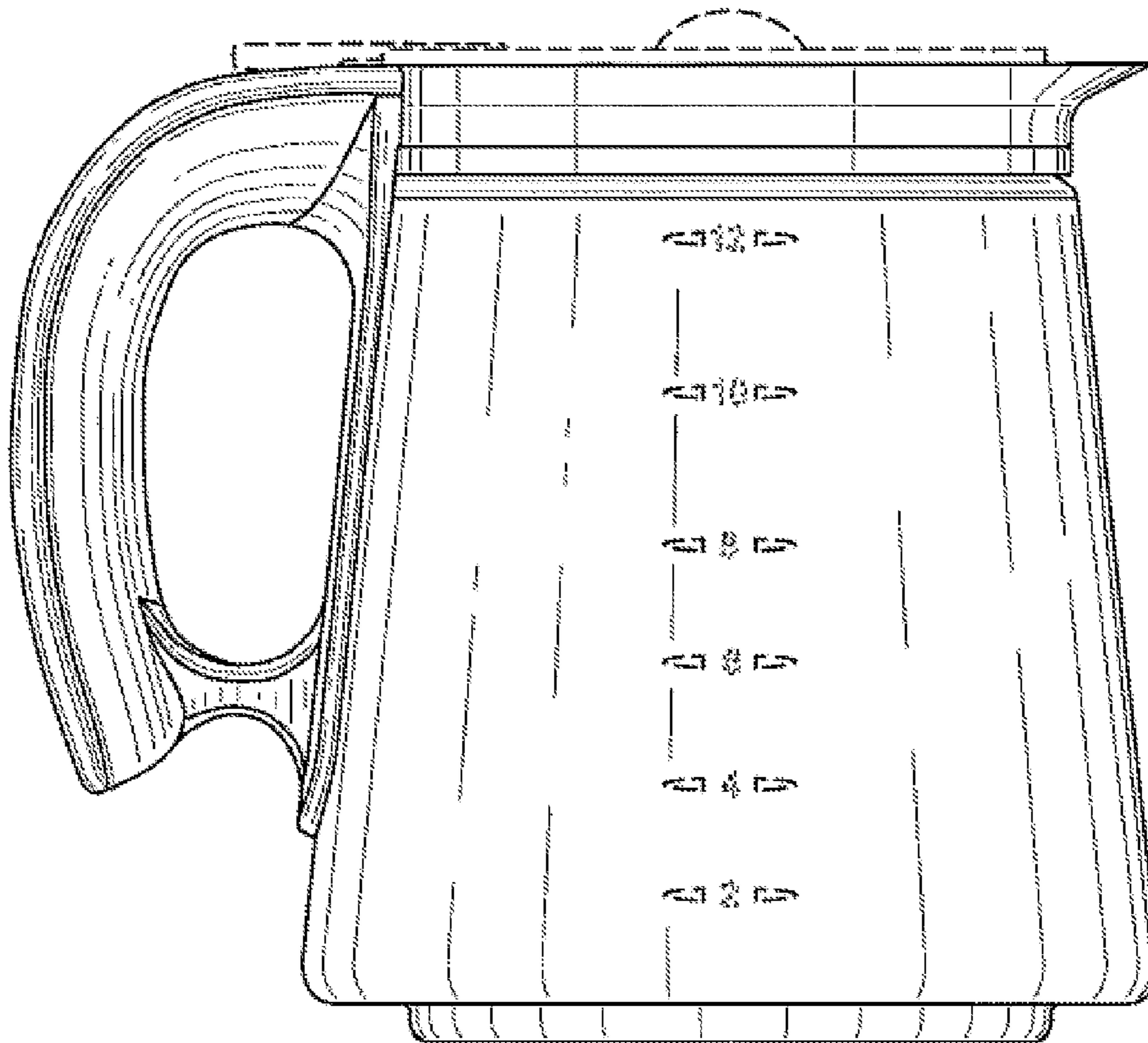
FIG. 5 is a right side view thereof;

FIG. 6 is a top view thereof; and,

FIG. 7 is a bottom view thereof.

The broken lines in the drawings are included for the purpose of illustration and form no part of the claimed design.

1 Claim, 7 Drawing Sheets



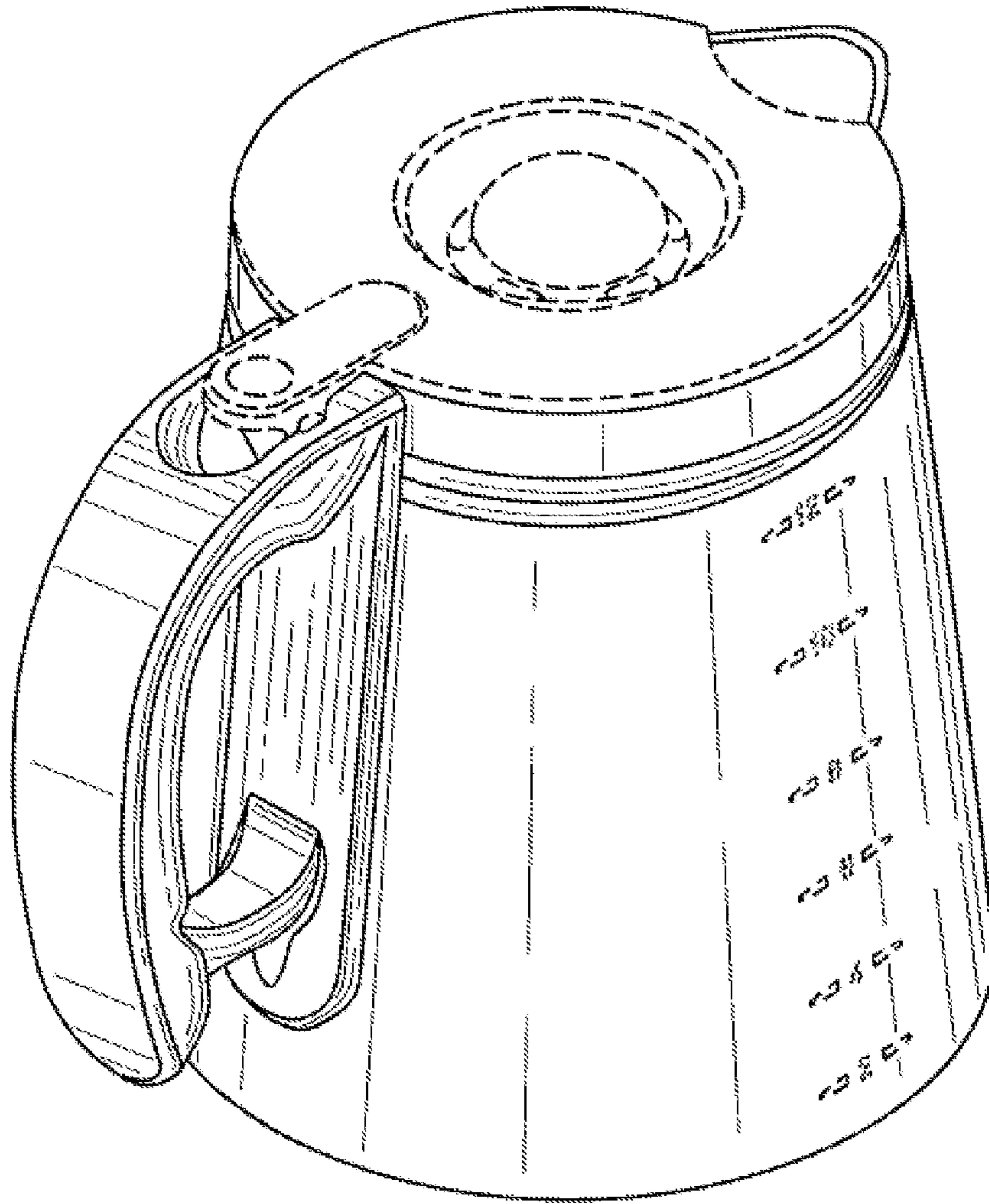


FIG. 1

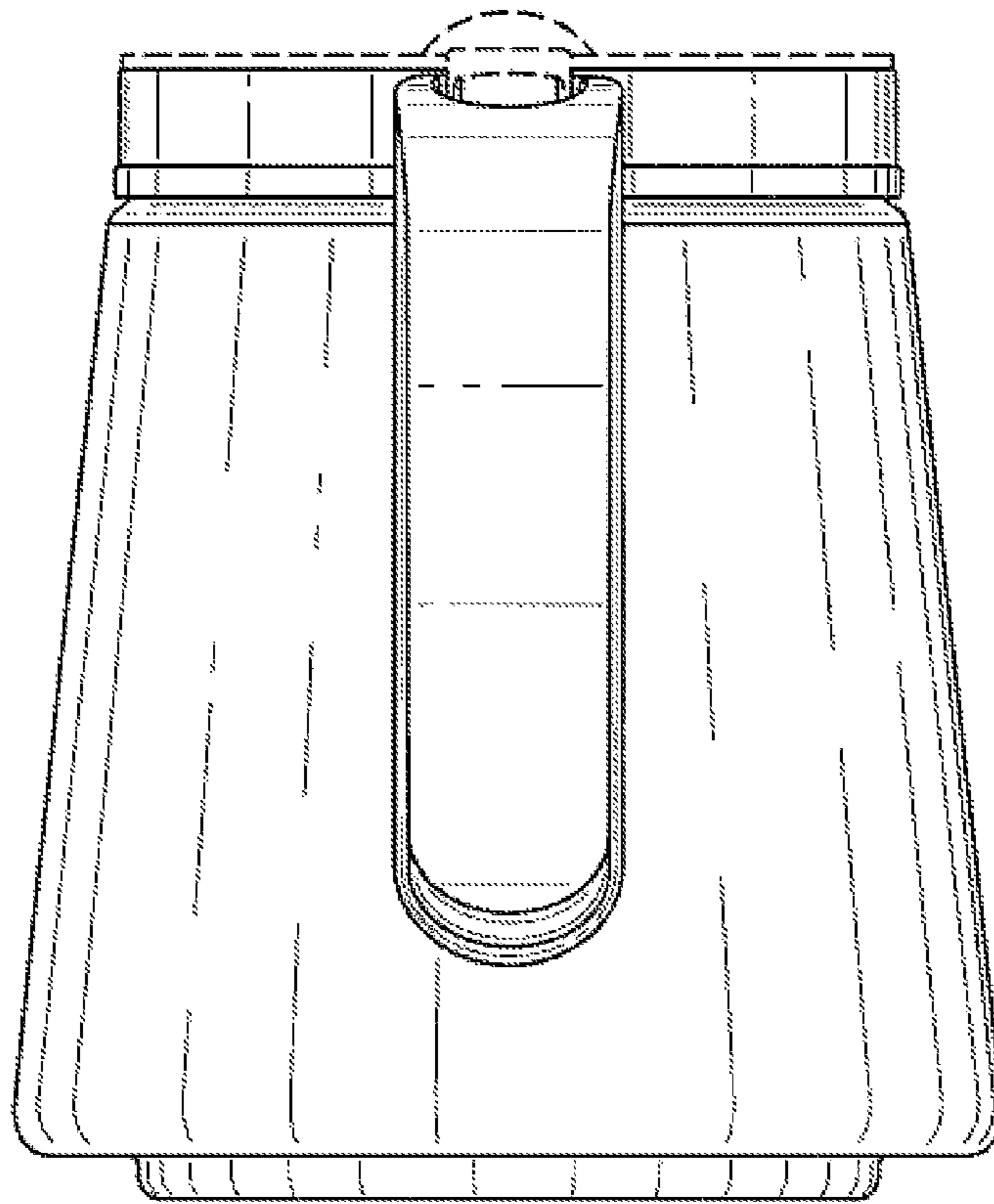


FIG. 2

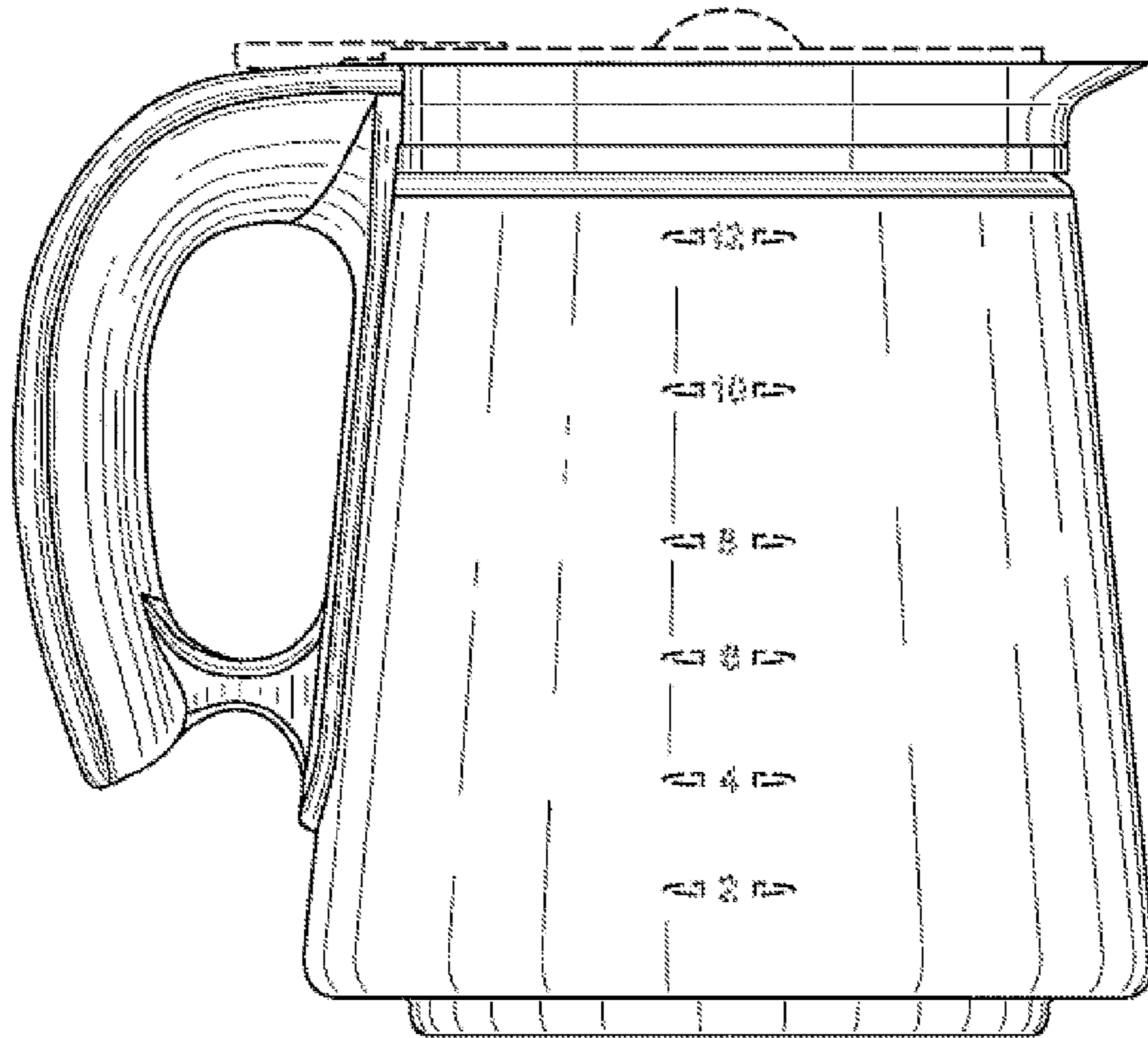


FIG. 3

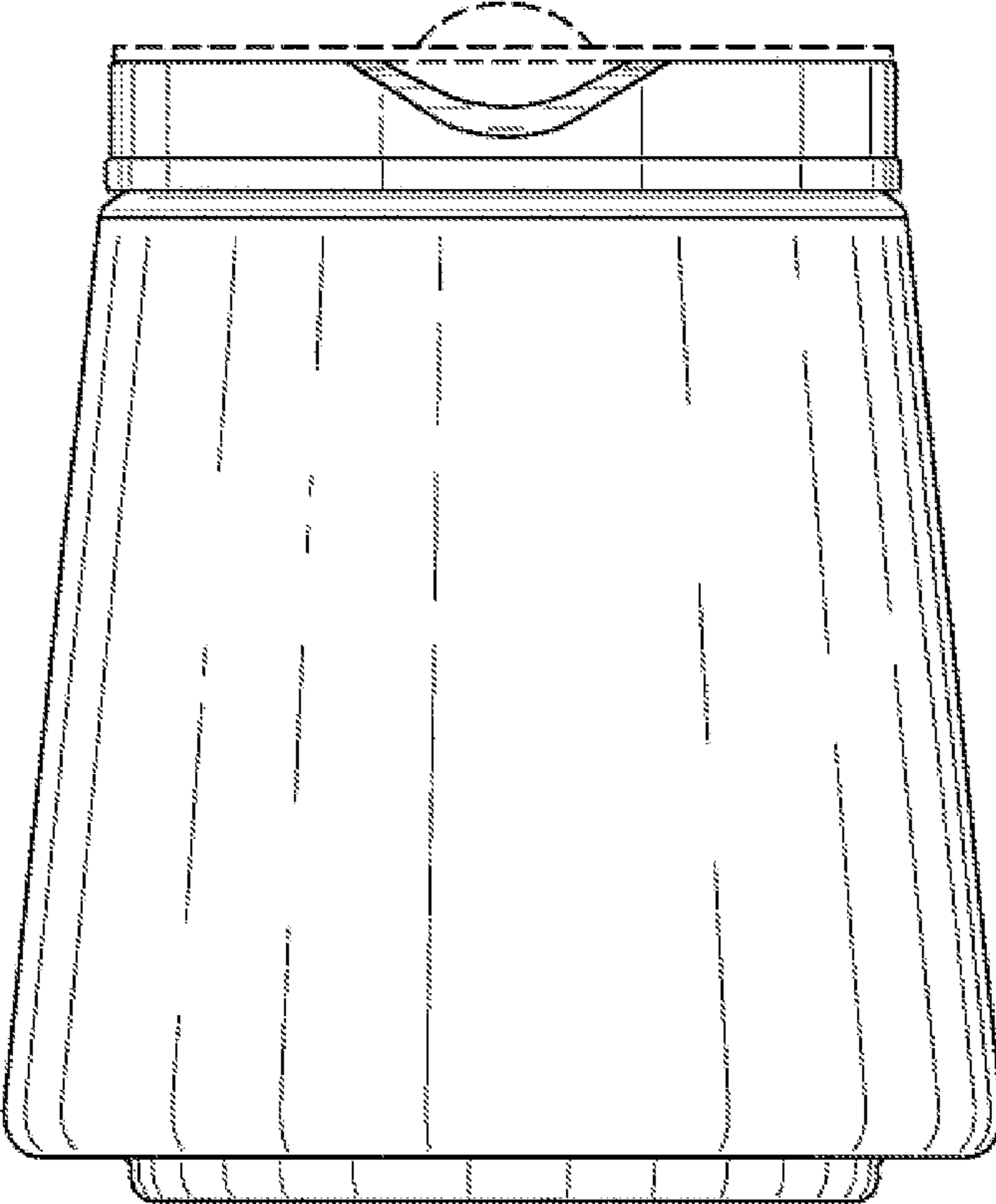


FIG. 4

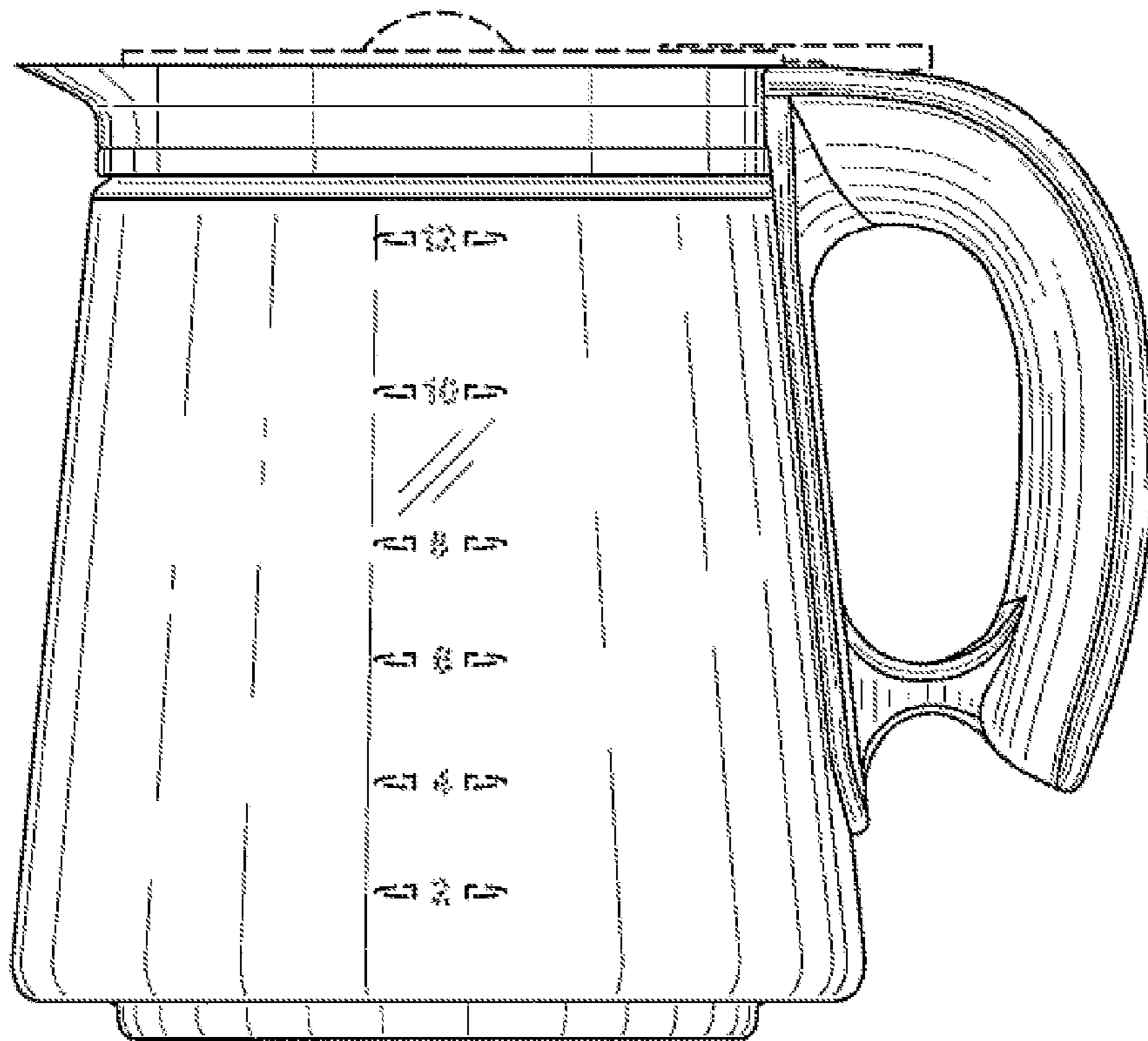


FIG. 5

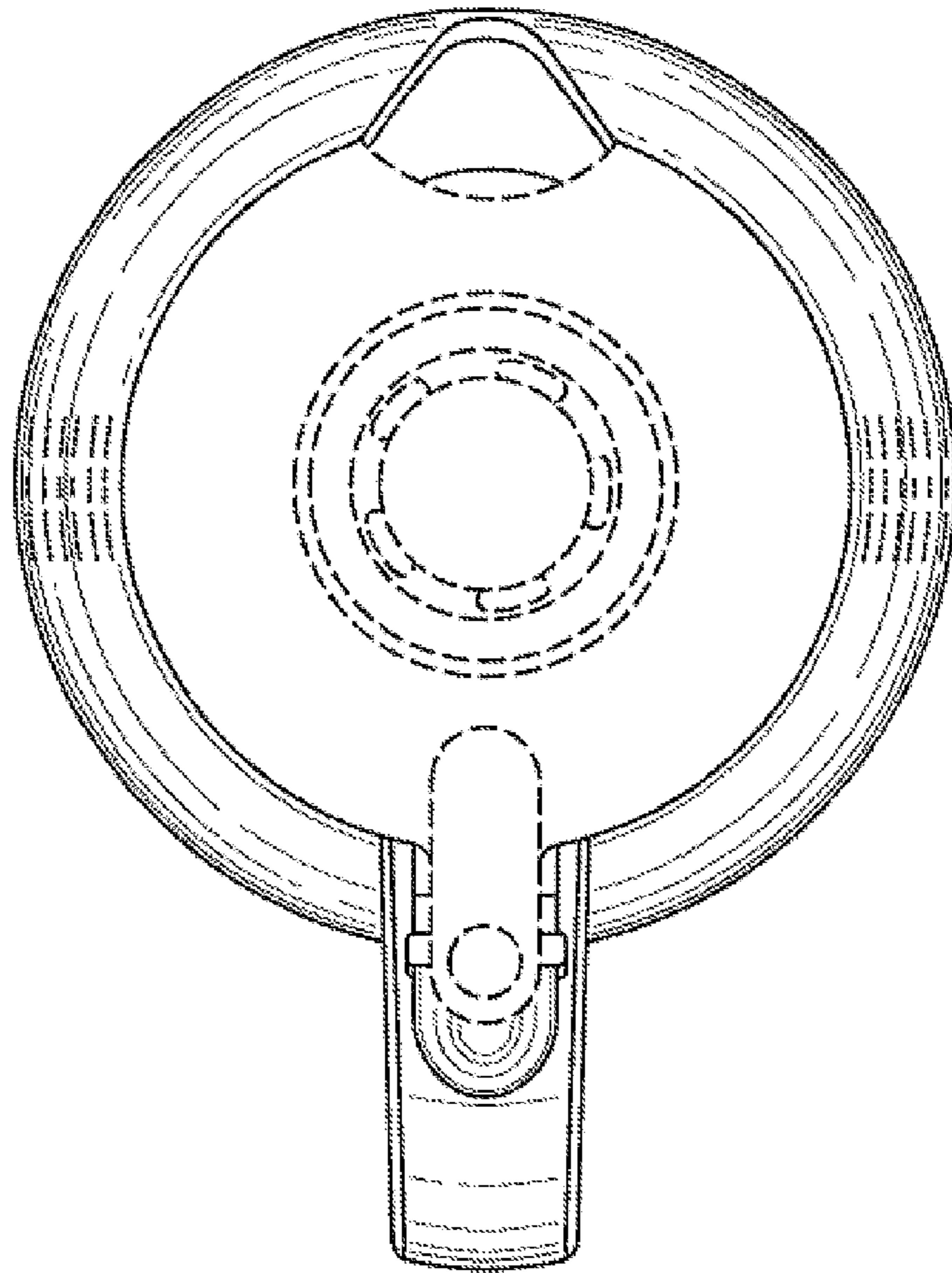


FIG. 6

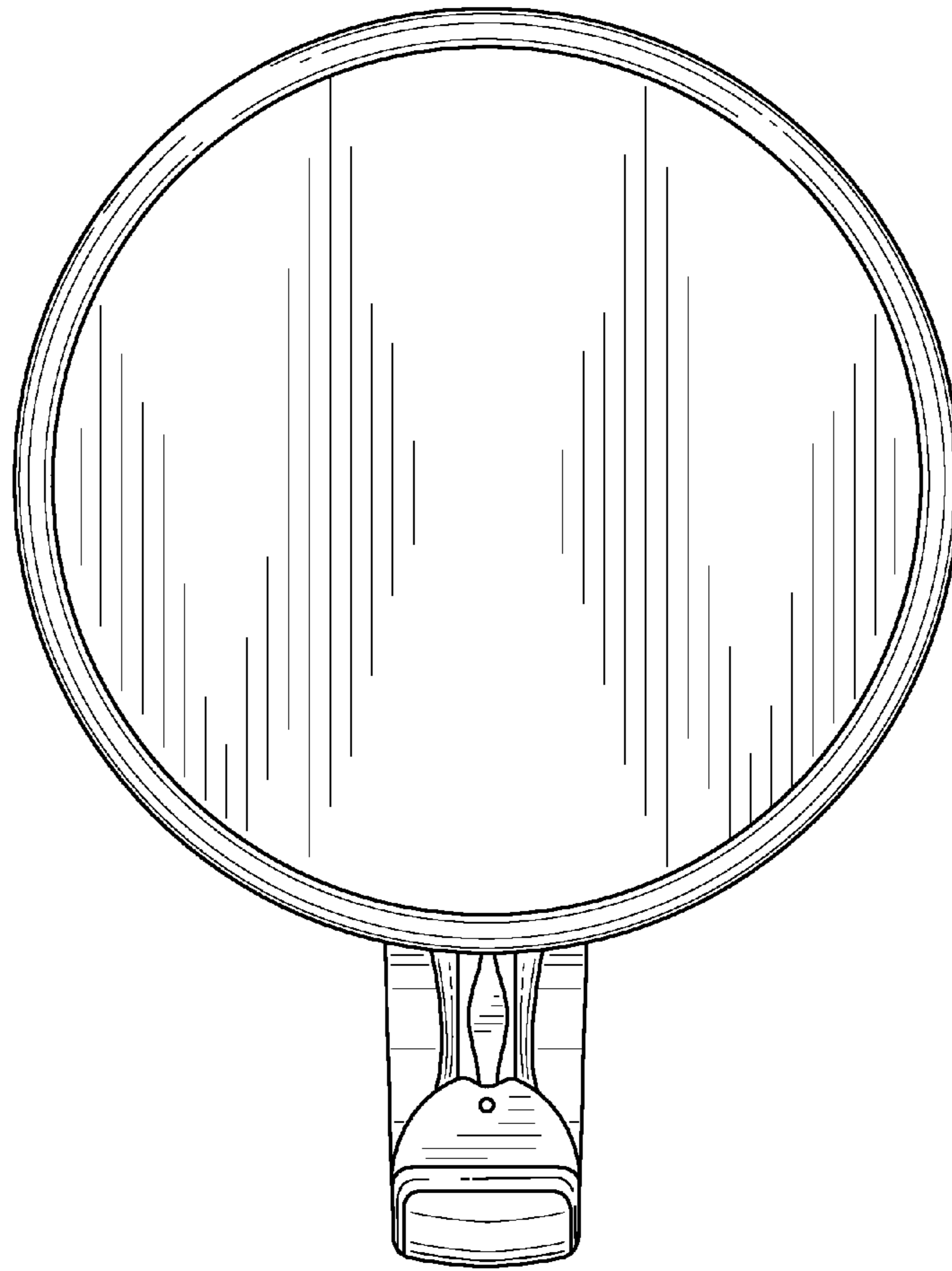


FIG. 7