



US00D643241S

(12) **United States Design Patent**
McCormick et al.

(10) **Patent No.:** **US D643,241 S**

(45) **Date of Patent:** **** Aug. 16, 2011**

(54) **KETTLE**

(75) Inventors: **Arren J. McCormick**, Benton Harbor, MI (US); **Ben C. Shao**, Stevensville, MI (US)

(73) Assignee: **Whirlpool Corporation**, Benton Harbor, MI (US)

(**) Term: **14 Years**

(21) Appl. No.: **29/378,640**

(22) Filed: **Nov. 8, 2010**

(51) **LOC (9) Cl.** **07-01**

(52) **U.S. Cl.** **D7/319; D7/317**

(58) **Field of Classification Search** D7/316-319, D7/312, 600; 222/470, 472; 99/307, 303, 99/280

See application file for complete search history.

(56) **References Cited**

U.S. PATENT DOCUMENTS

2,083,632	A	*	6/1937	Beck	222/472
4,123,871	A	*	11/1978	Knott	446/216
D259,692	S	*	6/1981	Quinn	D7/321
D287,807	S	*	1/1987	Wilson	D7/317
D362,151	S	*	9/1995	Wilson et al.	D7/319
D362,582	S	*	9/1995	Wilson et al.	D7/319

D396,378	S	*	7/1998	Hensel	D7/319
D399,090	S	*	10/1998	Green	D7/319
D402,154	S	*	12/1998	Joergensen	D7/318
D480,255	S	*	10/2003	Lecerf	D7/319
D544,288	S	*	6/2007	Berlencourt	D7/319
D562,053	S	*	2/2008	Cohen	D7/319
D584,560	S	*	1/2009	Garzon	D7/321
D599,161	S	*	9/2009	Friel et al.	D7/319
D630,882	S	*	1/2011	Cohen	D7/318

* cited by examiner

Primary Examiner — Marianne Pandozzi

(74) *Attorney, Agent, or Firm* — Tara M. Hartman; Barnes & Thornberg, LLP

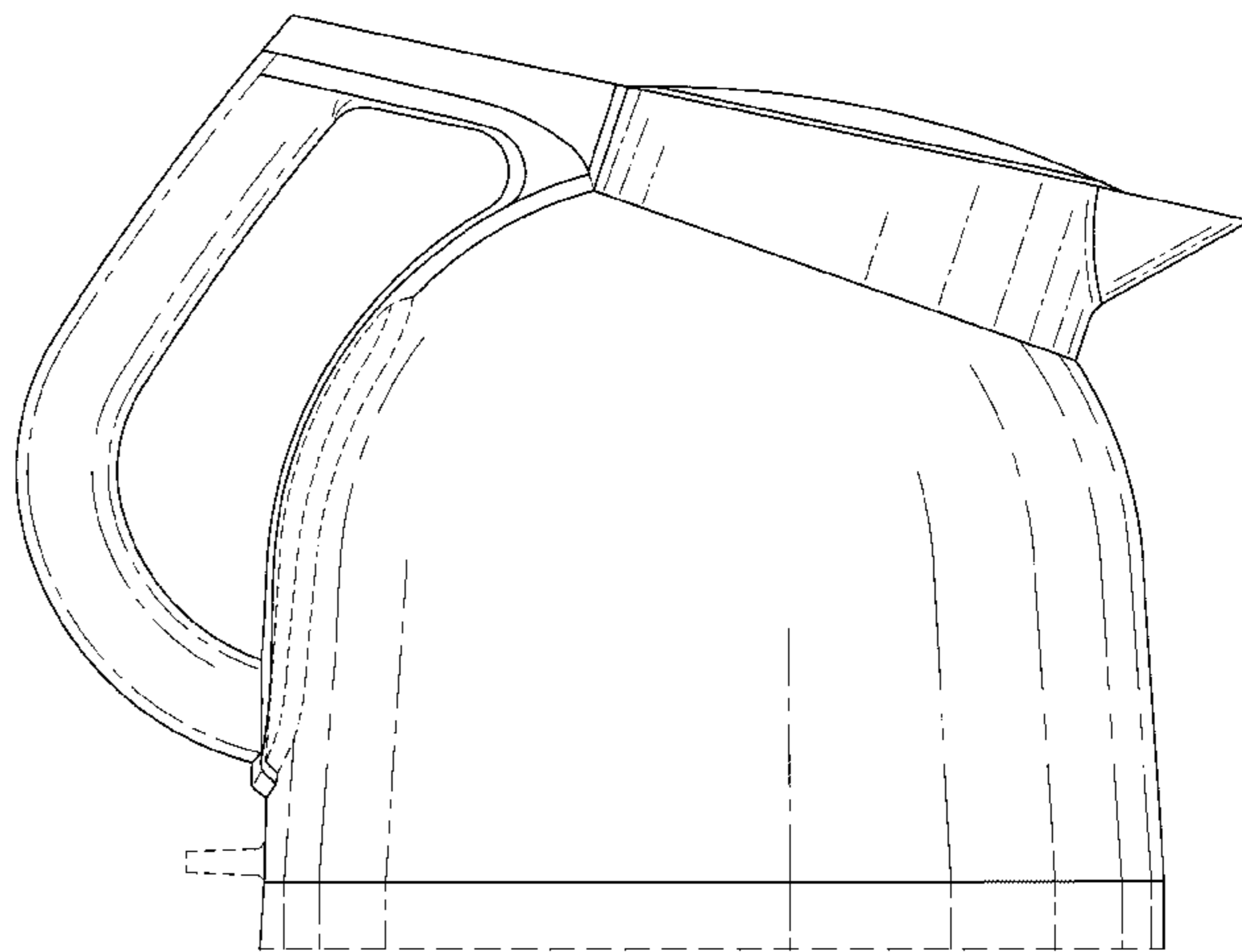
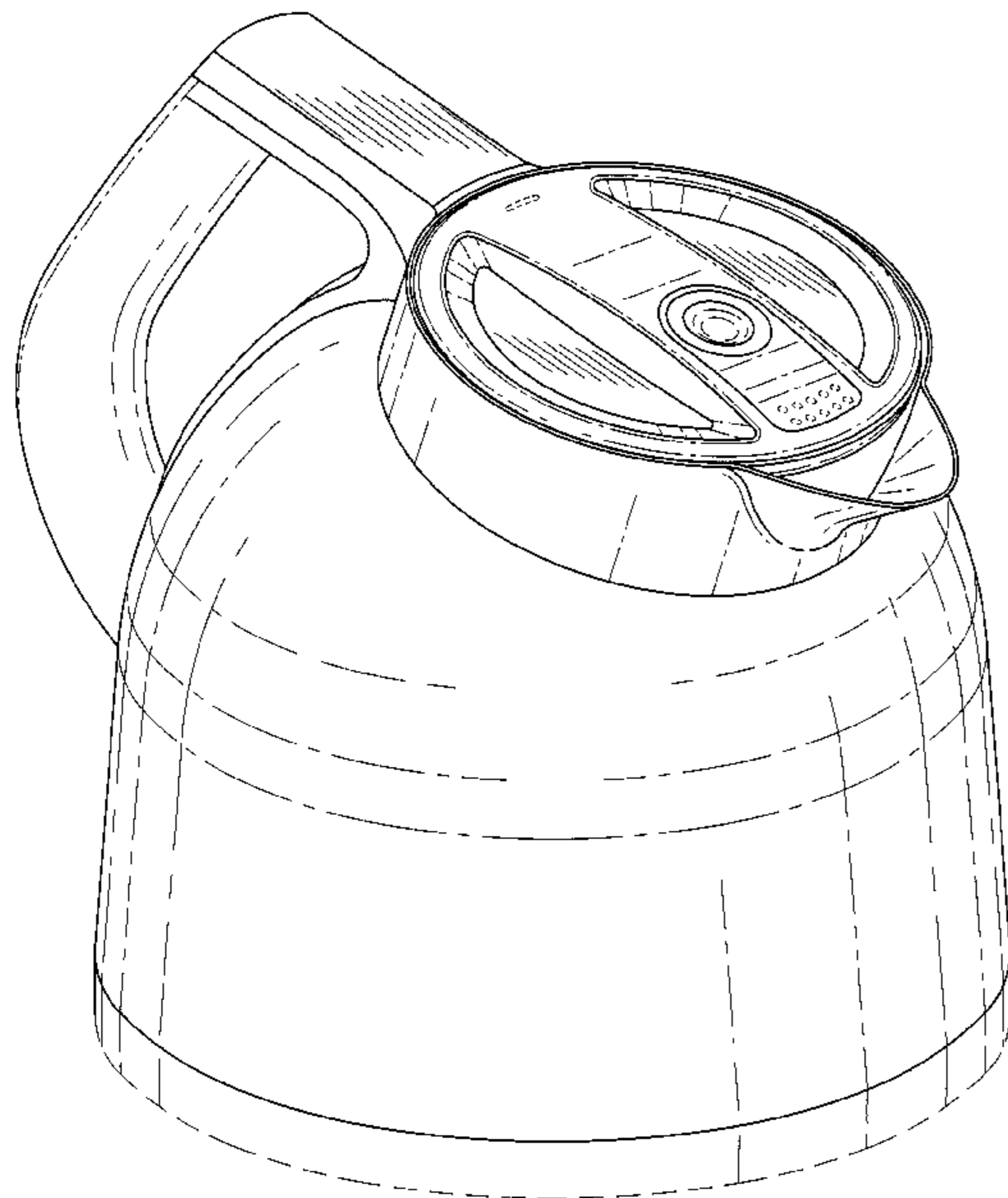
(57) **CLAIM**

We claim the ornamental design for a kettle, as shown and described.

DESCRIPTION

FIG. 1 is a front perspective view of the design of the kettle; FIG. 2 is a front elevation view of the kettle of FIG. 1; FIG. 3 is a left side elevational view, the right side elevational view being a mirror image thereof; FIG. 4 is the rear elevation view of the kettle of FIG. 1; FIG. 5 is a top plan view of the kettle of FIG. 1; and, FIG. 6 is the bottom plan view of the kettle of FIG. 1. The portion shown in broken lines is for illustrative purposes only and forms no part of the claimed design.

1 Claim, 6 Drawing Sheets



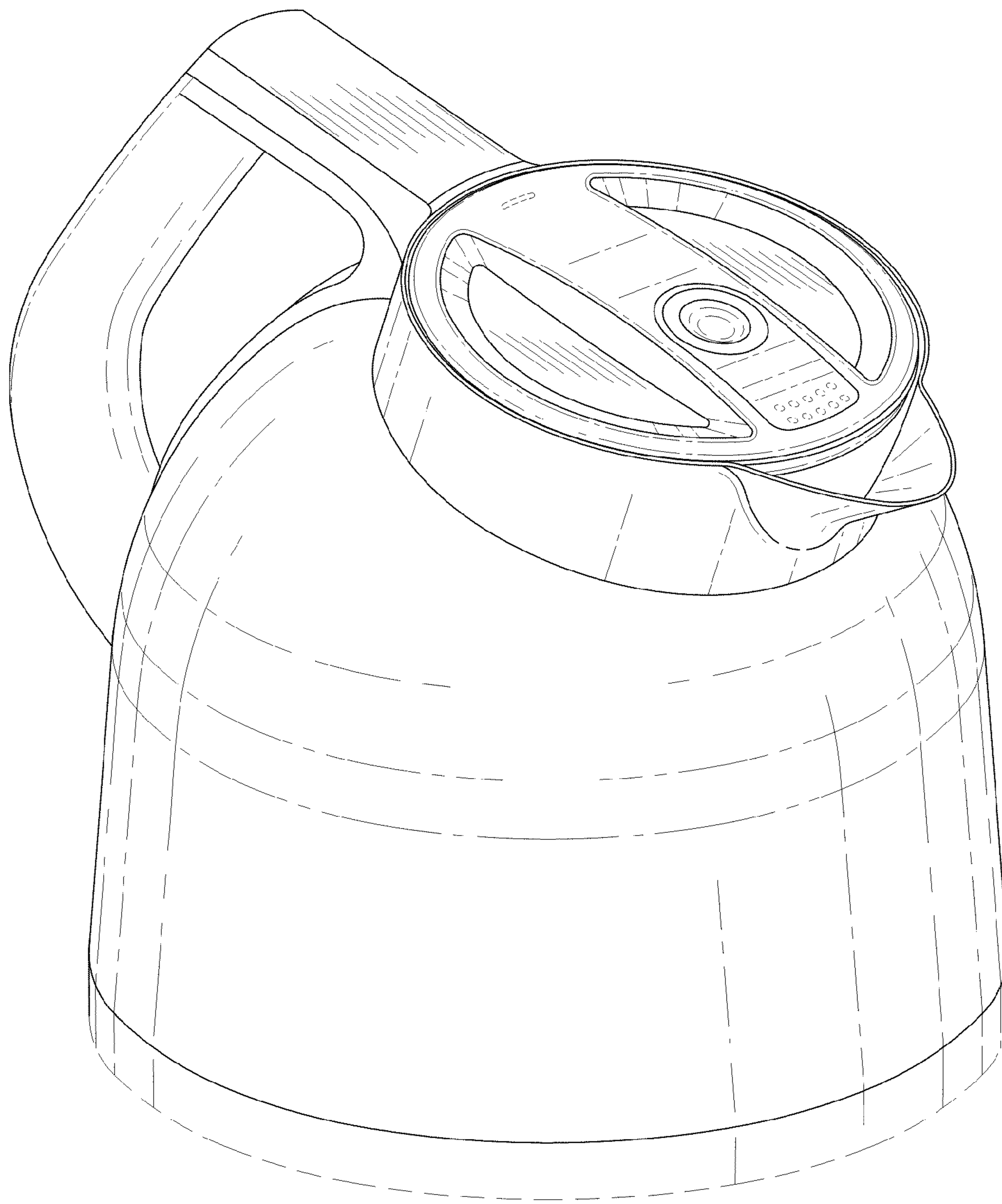


Fig. 1

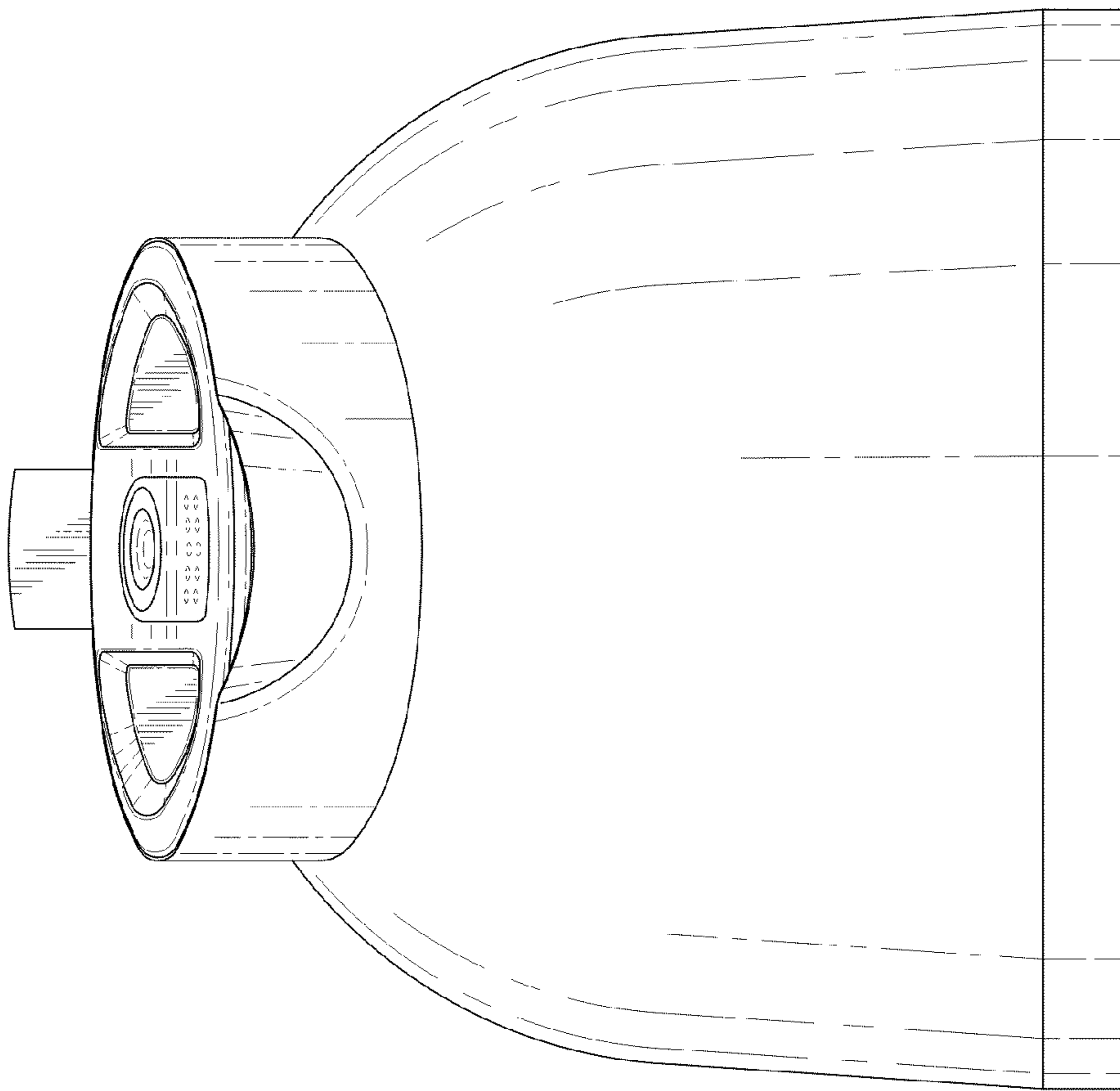


Fig. 2

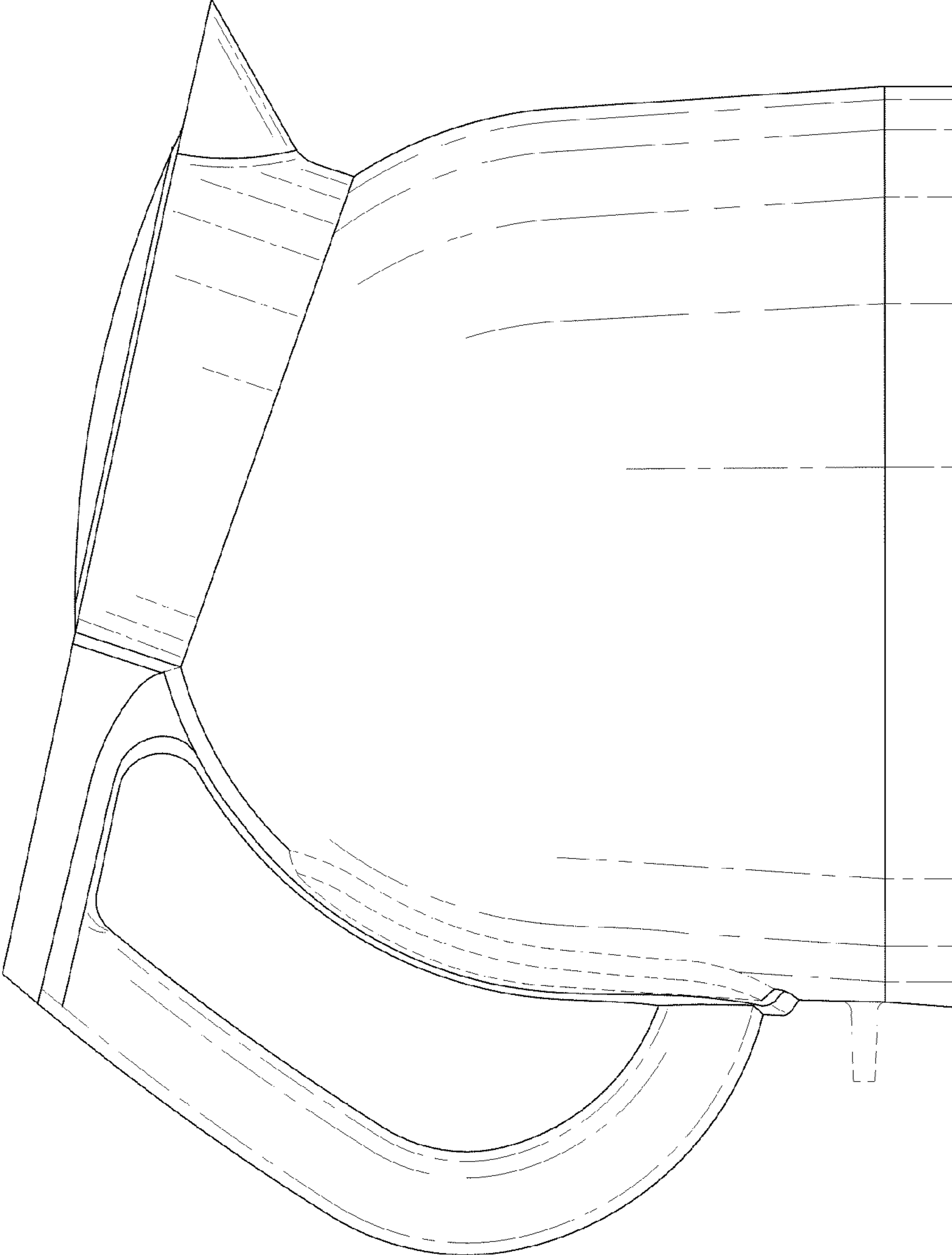


Fig. 3

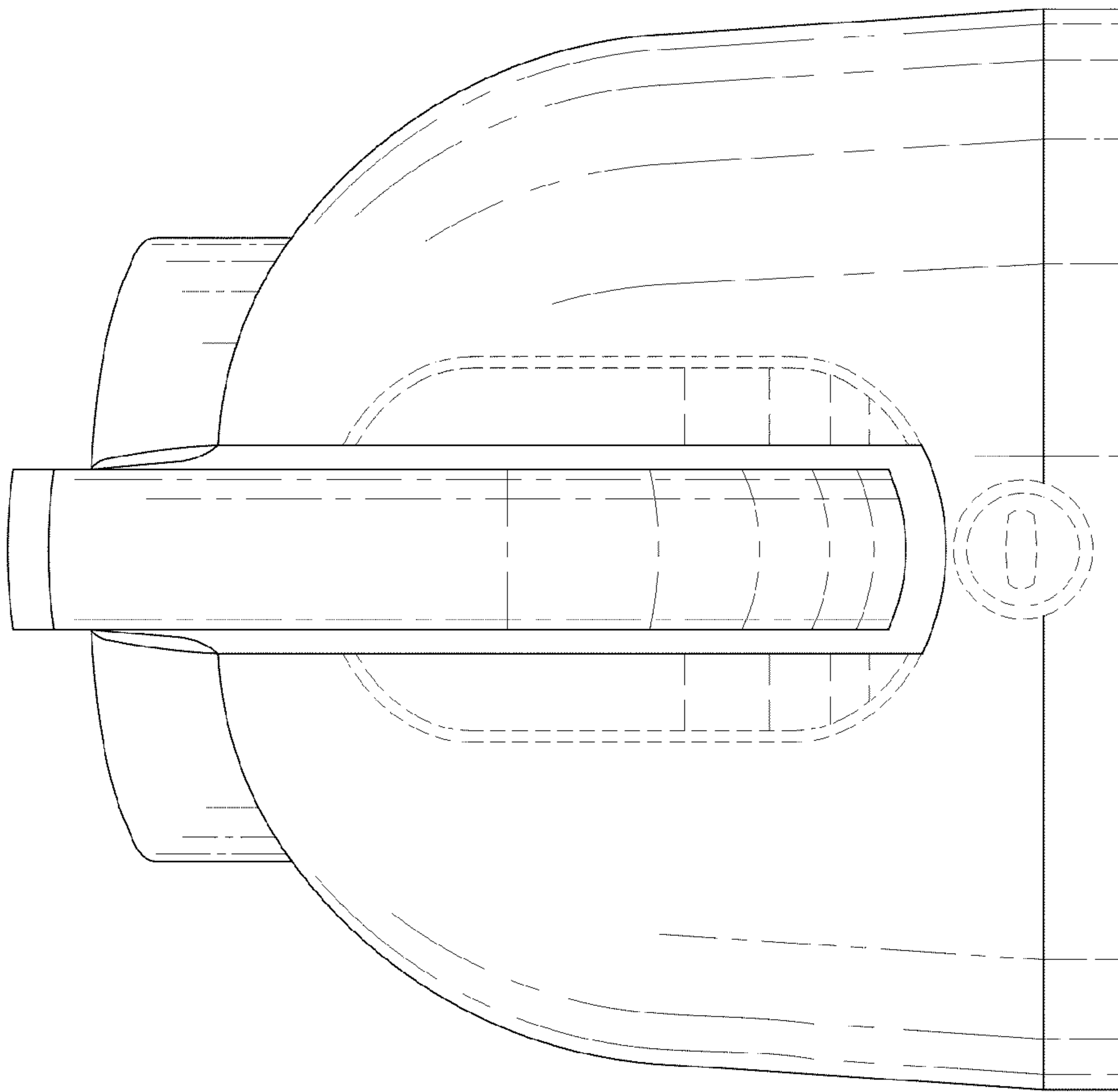


Fig. 4

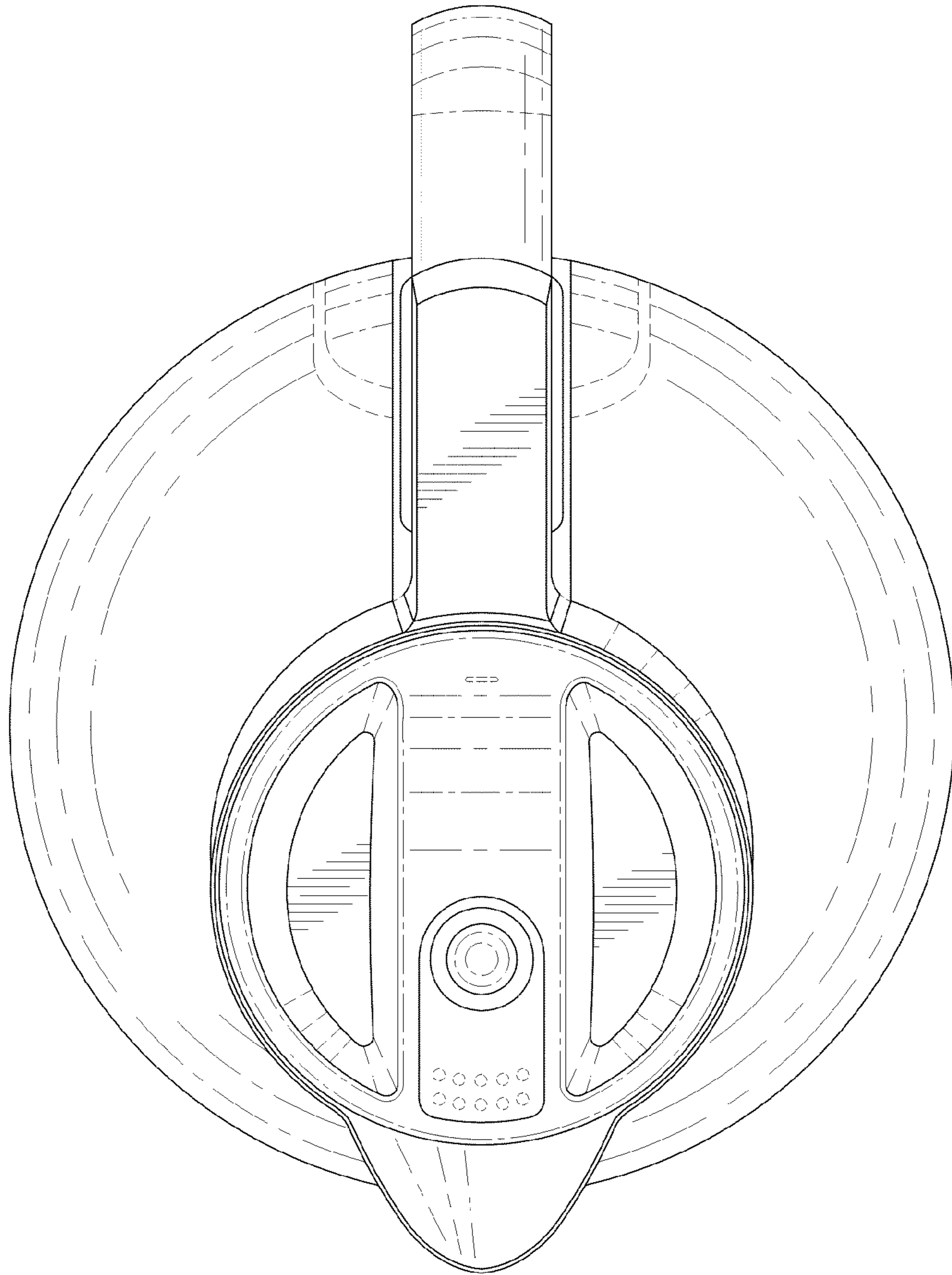


Fig. 5

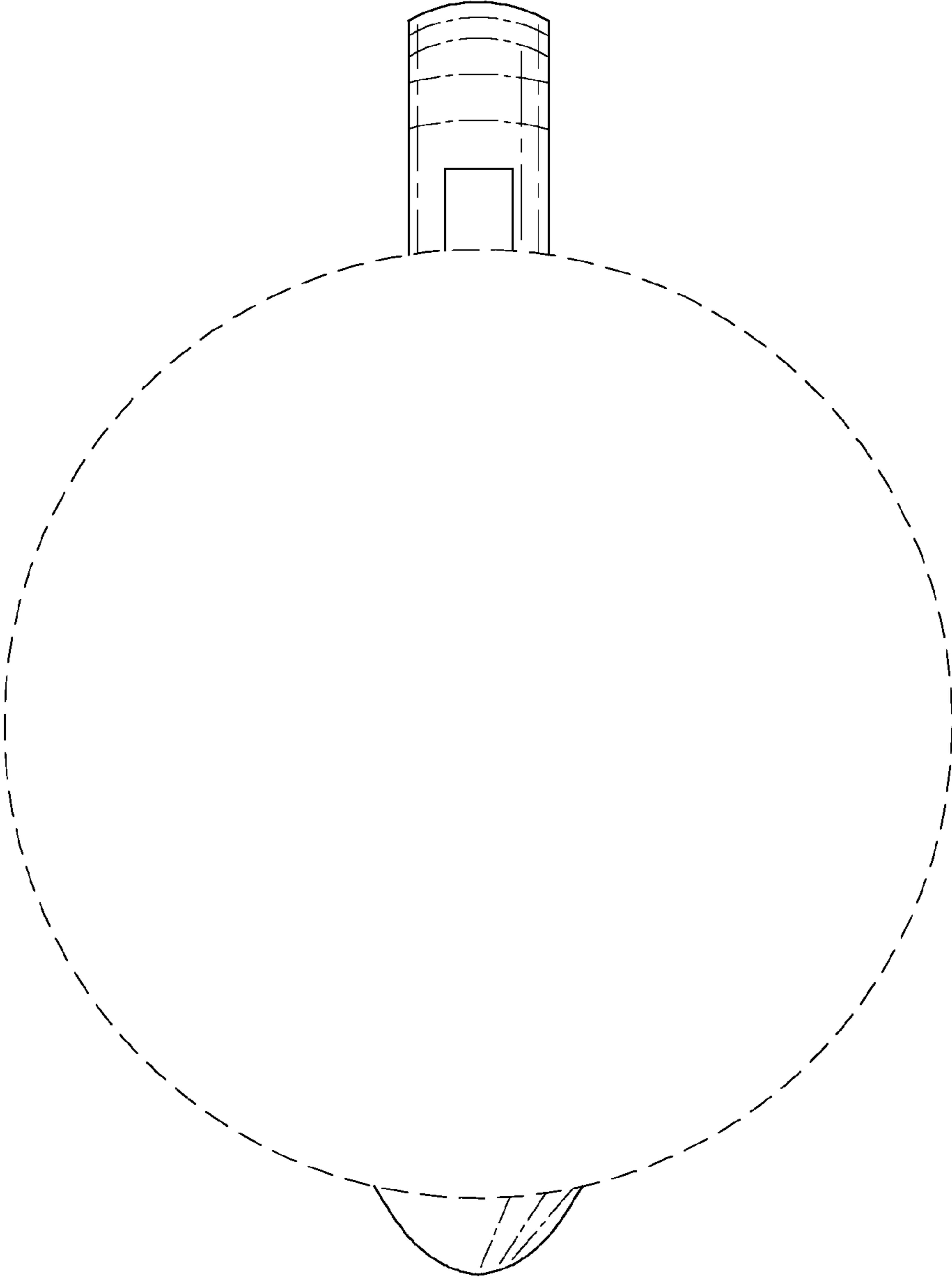


Fig. 6