



US00D643239S

(12) **United States Design Patent**
Wang

(10) **Patent No.:** **US D643,239 S**
(45) **Date of Patent:** **** Aug. 16, 2011**

- (54) **WATER COOLER**
- (75) Inventor: **Chun Yen Wang**, El Paso, TX (US)
- (73) Assignee: **MTN Products, Inc**, LaVerne, CA (US)
- (**) Term: **14 Years**
- (21) Appl. No.: **29/360,567**
- (22) Filed: **Apr. 28, 2010**
- (51) **LOC (9) Cl.** **07-01**
- (52) **U.S. Cl.** **D7/306; D7/313**
- (58) **Field of Classification Search** D7/306-308,
D7/313; 222/185.1, 146.6; 62/338
See application file for complete search history.

- 3,893,599 A 7/1975 Birell
- 3,920,149 A 11/1975 Fortino et al.
- 3,966,093 A 6/1976 Frahm et al.
- 3,973,602 A 8/1976 Kruse
- 3,974,863 A 8/1976 Frahm et al.
- 3,993,218 A 11/1976 Reichenberger
- 4,124,146 A 11/1978 Sealfon
- 4,137,930 A 2/1979 Scholle
- 4,239,130 A 12/1980 Altadonna
- 4,244,467 A 1/1981 Cavazza
- 4,267,945 A 5/1981 Maynard
- 4,356,848 A 11/1982 Spies
- 4,421,146 A 12/1983 Bond et al.
- 4,444,340 A 4/1984 Bond et al.
- 4,445,551 A 5/1984 Bond et al.
- 4,597,423 A 7/1986 Chenot

(Continued)

OTHER PUBLICATIONS

Ebac Eddy Water Cooler for the Home: Discount Store UK; Ebac Eddy is a Refreshing New Way to Enjoy a Healthy Lifestyle; http://www.freenet.ltd.uk/ebac_eddy.asp.

(Continued)

(56) **References Cited**

U.S. PATENT DOCUMENTS

- 1,241,352 A 1/1917 Doering et al.
- 1,248,705 A 12/1917 Pogue
- 1,319,376 A 10/1919 Cooper
- 1,337,206 A 4/1920 Doering et al.
- 1,960,604 A 5/1933 Van Fleet
- 1,933,192 A 10/1933 Taylor
- 1,948,644 A 2/1934 Blood et al.
- 1,976,007 A 10/1934 Cullen et al.
- 2,057,238 A 10/1936 Krug
- 2,072,629 A 3/1937 Fernholz
- 2,689,669 A 9/1954 Ericson
- 2,811,272 A 10/1957 Lawlor
- 3,033,247 A 5/1962 Beall, Jr.
- 3,193,143 A 7/1965 Maieli
- 3,207,190 A 9/1965 Silbereis et al.
- 3,341,073 A 9/1967 Arps et al.
- 3,540,402 A 11/1970 Kocher
- 3,606,096 A 9/1971 Campbell
- D228,685 S * 10/1973 Radcliffe D7/307
- 3,768,501 A 10/1973 Elson et al.
- 3,774,658 A 11/1973 Abramoska, Jr.
- 3,802,606 A 4/1974 Gust
- 3,843,021 A 10/1974 Schieser
- 3,892,235 A 7/1975 Van Amerongen et al.

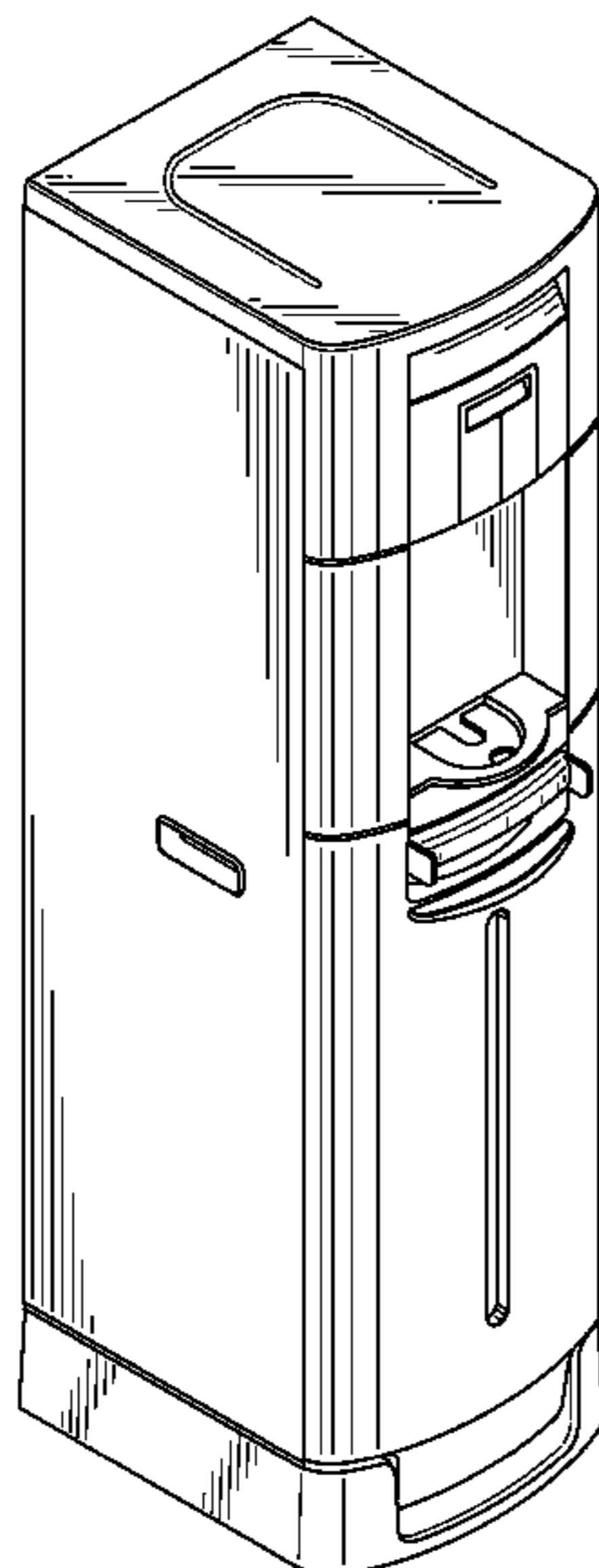
Primary Examiner — Marianne Pandozzi
(74) *Attorney, Agent, or Firm* — Michael P. Mazza, LLC

(57) **CLAIM**
The ornamental design for a water cooler, as shown and described.

DESCRIPTION

FIG. 1 is a top perspective view of a water cooler showing my new design;
FIG. 2 is a front elevational view thereof;
FIG. 3 is a side elevational view thereof;
FIG. 4 is a top plan thereof;
FIG. 5 is a bottom plan view thereof; and,
FIG. 6 is a rear view thereof.

1 Claim, 5 Drawing Sheets



US D643,239 S

Page 2

U.S. PATENT DOCUMENTS

4,699,188 A 10/1987 Baker et al.
 4,711,380 A 12/1987 Ulm
 4,717,051 A 1/1988 Leclerc
 4,722,463 A 2/1988 Anderson
 4,793,514 A 12/1988 Sheets
 4,834,267 A 5/1989 Schroer et al.
 4,846,236 A 7/1989 Deruntz
 4,874,023 A * 10/1989 Ulm 141/346
 4,898,308 A 2/1990 Rudick
 4,902,320 A 2/1990 Schroer
 4,972,976 A 11/1990 Romero
 4,991,635 A 2/1991 Ulm
 5,031,676 A 7/1991 Ulm
 D322,534 S * 12/1991 Chaney D7/306
 5,121,778 A 6/1992 Baker et al.
 5,133,482 A 7/1992 Burrows et al.
 5,213,309 A 5/1993 Makishima
 5,222,530 A 6/1993 Baker et al.
 5,222,531 A 6/1993 Baker et al.
 5,232,125 A 8/1993 Adams
 5,259,534 A 11/1993 Lynd
 5,273,083 A 12/1993 Burrows
 5,289,854 A 3/1994 Baker et al.
 5,289,855 A 3/1994 Baker et al.
 5,295,518 A 3/1994 Baker et al.
 5,295,519 A 3/1994 Baker et al.
 5,337,922 A 8/1994 Salkeld et al.
 D350,453 S * 9/1994 Chaney D7/306
 5,379,814 A 1/1995 Posly
 5,395,590 A 3/1995 Swaniger
 5,413,152 A 5/1995 Burrows
 D359,649 S * 6/1995 Salkeld et al. D7/307
 5,431,205 A 7/1995 Gebhard
 5,454,409 A 10/1995 McAffer et al.
 5,464,127 A 11/1995 Burrows
 D366,803 S * 2/1996 Hauser et al. D7/307

D367,797 S * 3/1996 Hauser et al. D7/307
 5,526,961 A 6/1996 Burrows
 5,533,651 A 7/1996 Eddy et al.
 5,573,142 A 11/1996 Morellato et al.
 5,647,416 A 7/1997 Desrosiers et al.
 5,653,270 A 8/1997 Burrows
 5,676,278 A 10/1997 Bevers et al.
 5,711,380 A 1/1998 Chen
 D399,088 S * 10/1998 Chaney D7/307
 5,848,735 A * 12/1998 Eddy et al. 222/185.1
 5,927,557 A * 7/1999 Busick et al. 222/185.1
 5,957,316 A 9/1999 Hidding et al.
 6,029,860 A * 2/2000 Donselman et al. 222/185.1
 6,167,921 B1 1/2001 Busick et al.
 6,352,183 B1 3/2002 Kristiansen et al.
 6,834,691 B2 12/2004 Goldin
 6,843,634 B2 1/2005 Goldin
 7,210,891 B2 5/2007 Goldin
 D554,930 S * 11/2007 Lavy D7/307
 D571,141 S * 6/2008 Roosmalen et al. D7/307
 D582,194 S * 12/2008 Wang D7/313
 D585,690 S * 2/2009 Dammkoehler D7/307
 D604,554 S * 11/2009 Lippert et al. D7/306
 D608,130 S * 1/2010 Moon et al. D7/306
 D623,885 S * 9/2010 Wang D7/306

OTHER PUBLICATIONS

Watercoolers—Ebac Limited—Group Website. Manufacturer of dehumidifiers and water . . . ; Ebac Group; Watercoolers; <http://www.ebacgroup.com/?page=21>.
 Latest News—Ebac Limited—Group Website. Manufacturer of dehumidifiers and water . . . ; Ebac Group; Latest News; Ebac enters point of use market; <http://www.ebacgroup.com/?page=36&art=22>.
http://henry-design.com/temp/mtn0503/060406_home_spring_photos/index.html.

* cited by examiner

Fig. 1

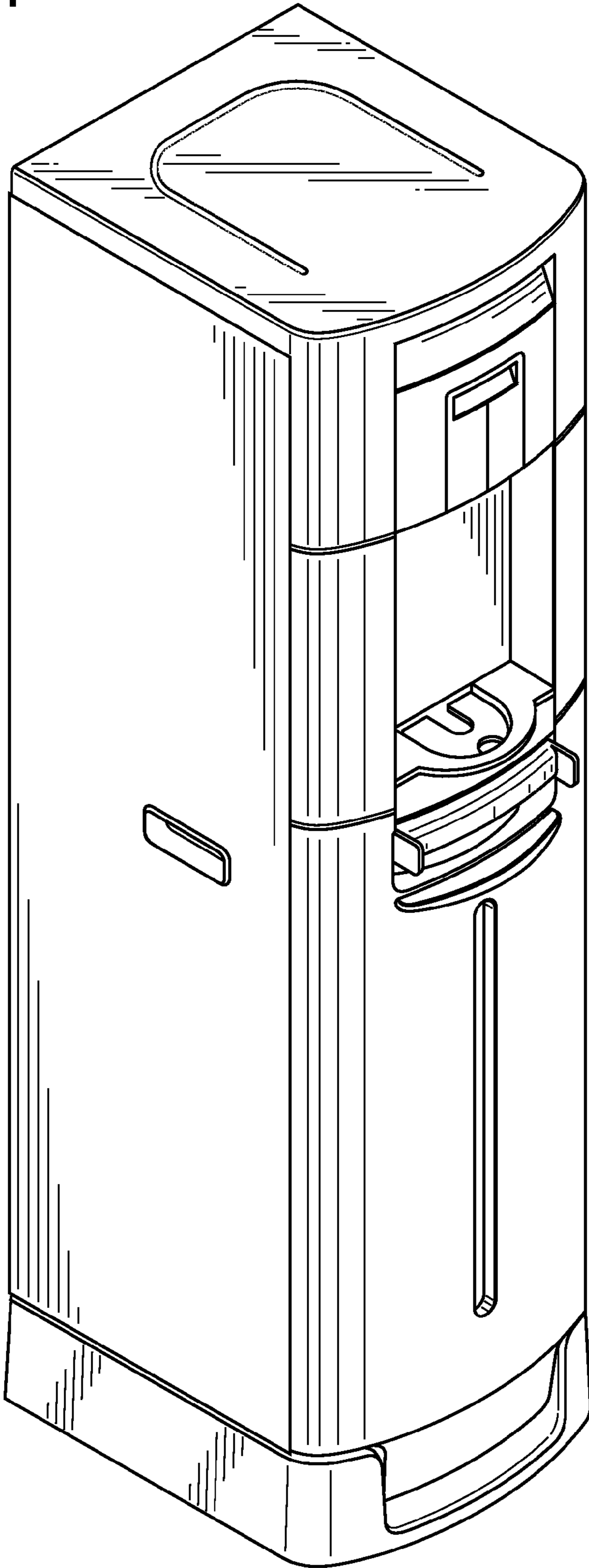


Fig. 2

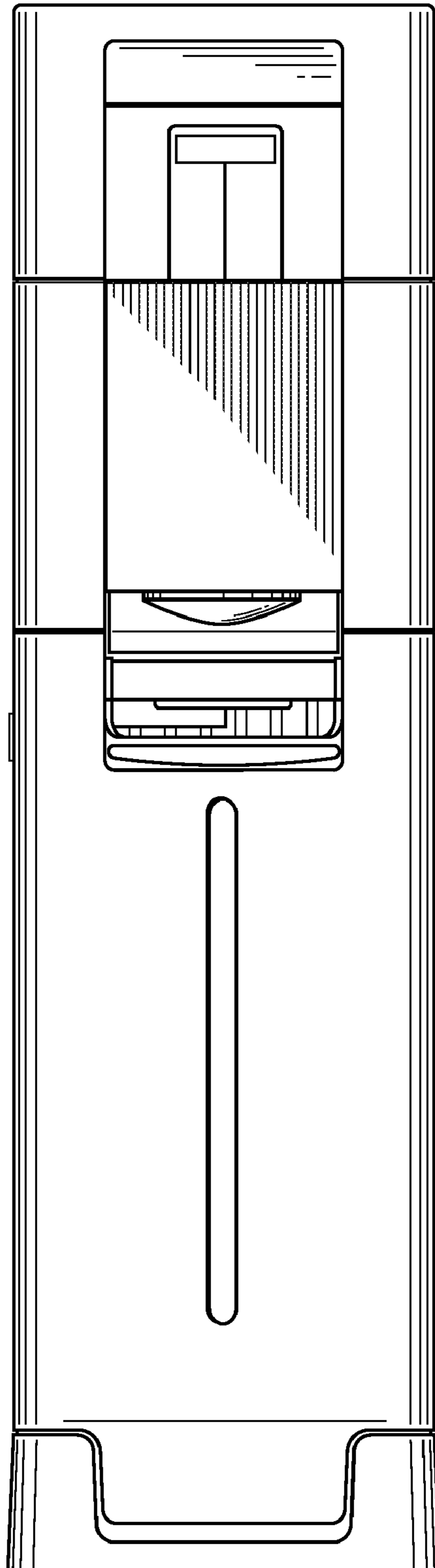


Fig. 3

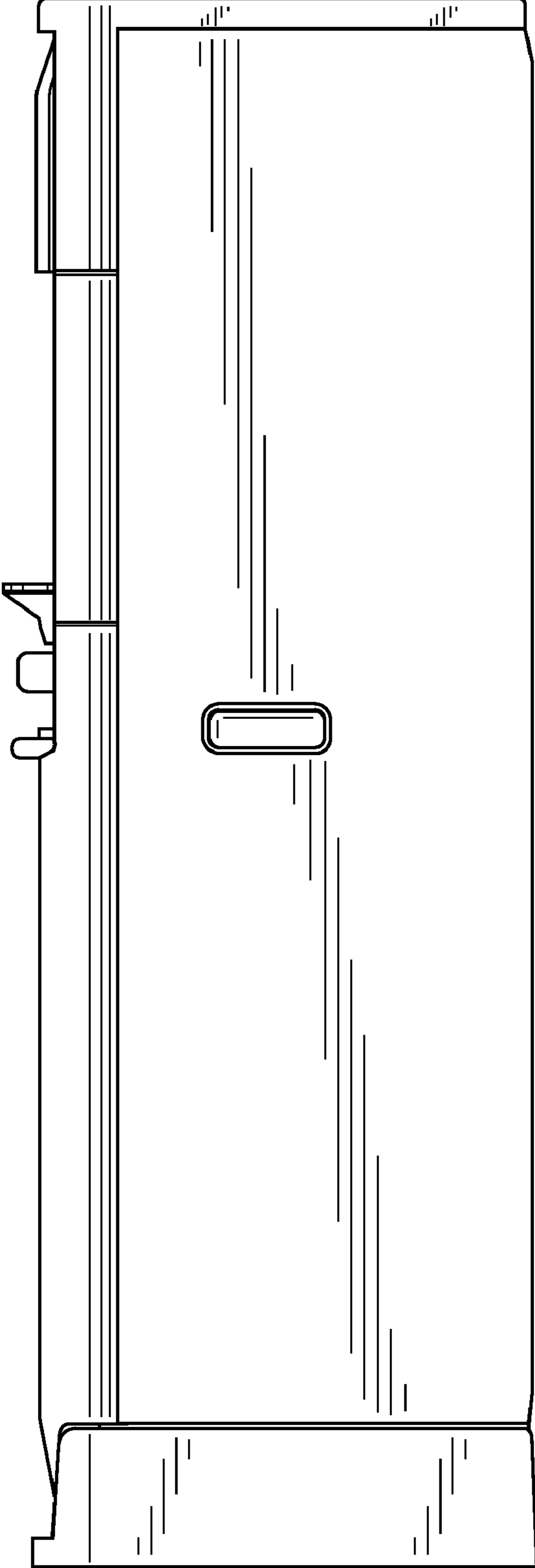


Fig. 4

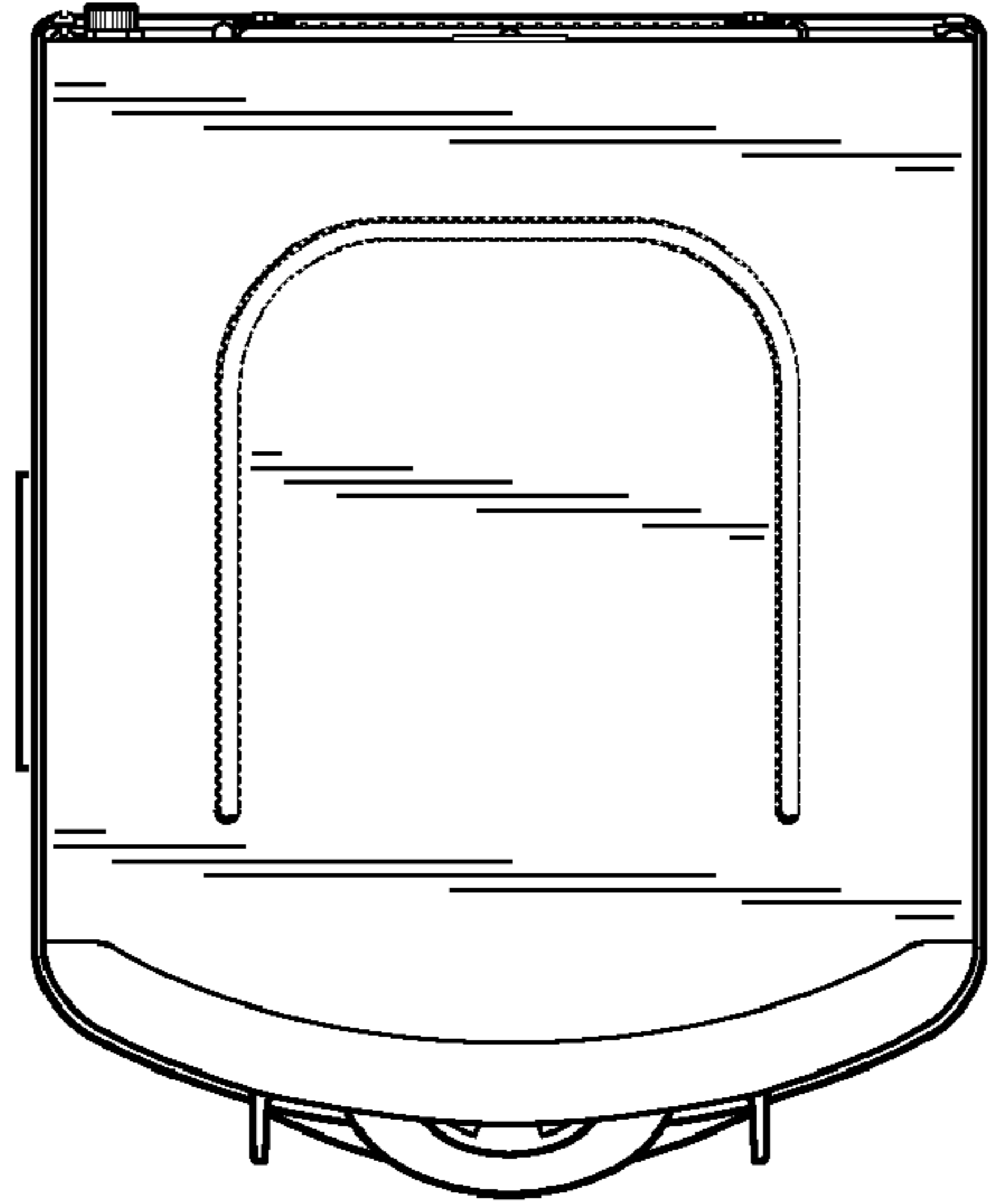


Fig. 5

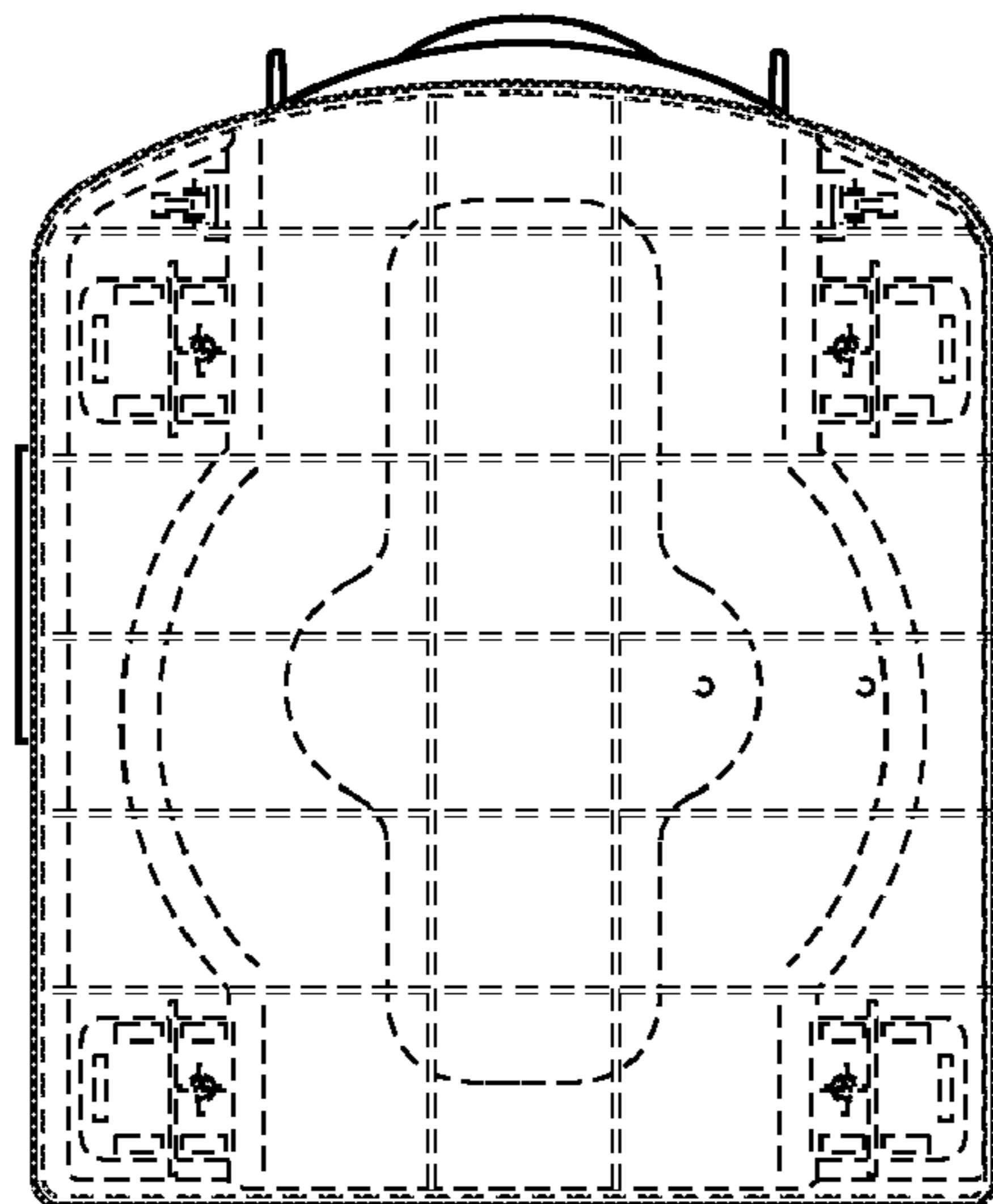


Fig. 6

