



US00D643235S

(12) **United States Design Patent**  
**Perry**

(10) **Patent No.:** **US D643,235 S**

(45) **Date of Patent:** **\*\* Aug. 16, 2011**

(54) **FOOD AND/OR BEVERAGE SERVER  
RESEMBLING THE TAILGATE AREA OF A  
TRUCK**

D375,212 S \* 11/1996 Colquhoun ..... D6/429  
D451,727 S \* 12/2001 Volkman et al. .... D6/511  
D475,963 S \* 6/2003 Ellsaesser ..... D12/221

\* cited by examiner

(76) Inventor: **Robert Perry**, Canonsburg, PA (US)

*Primary Examiner* — Janice Seeger

(\*\*) Term: **14 Years**

(74) *Attorney, Agent, or Firm* — The Webb Law Firm

(21) Appl. No.: **29/357,681**

(57) **CLAIM**

(22) Filed: **Mar. 16, 2010**

The ornamental design for a food and/or beverage server resembling the tailgate area of a truck, as shown and described.

(51) **LOC (9) Cl.** ..... **06-06**

(52) **U.S. Cl.** ..... **D6/511**

(58) **Field of Classification Search** ..... D6/480-489,  
D6/429-431, 495-499, 511, 450; 108/150,  
108/153.1, 155, 156, 161; D12/221; D34/27  
See application file for complete search history.

**DESCRIPTION**

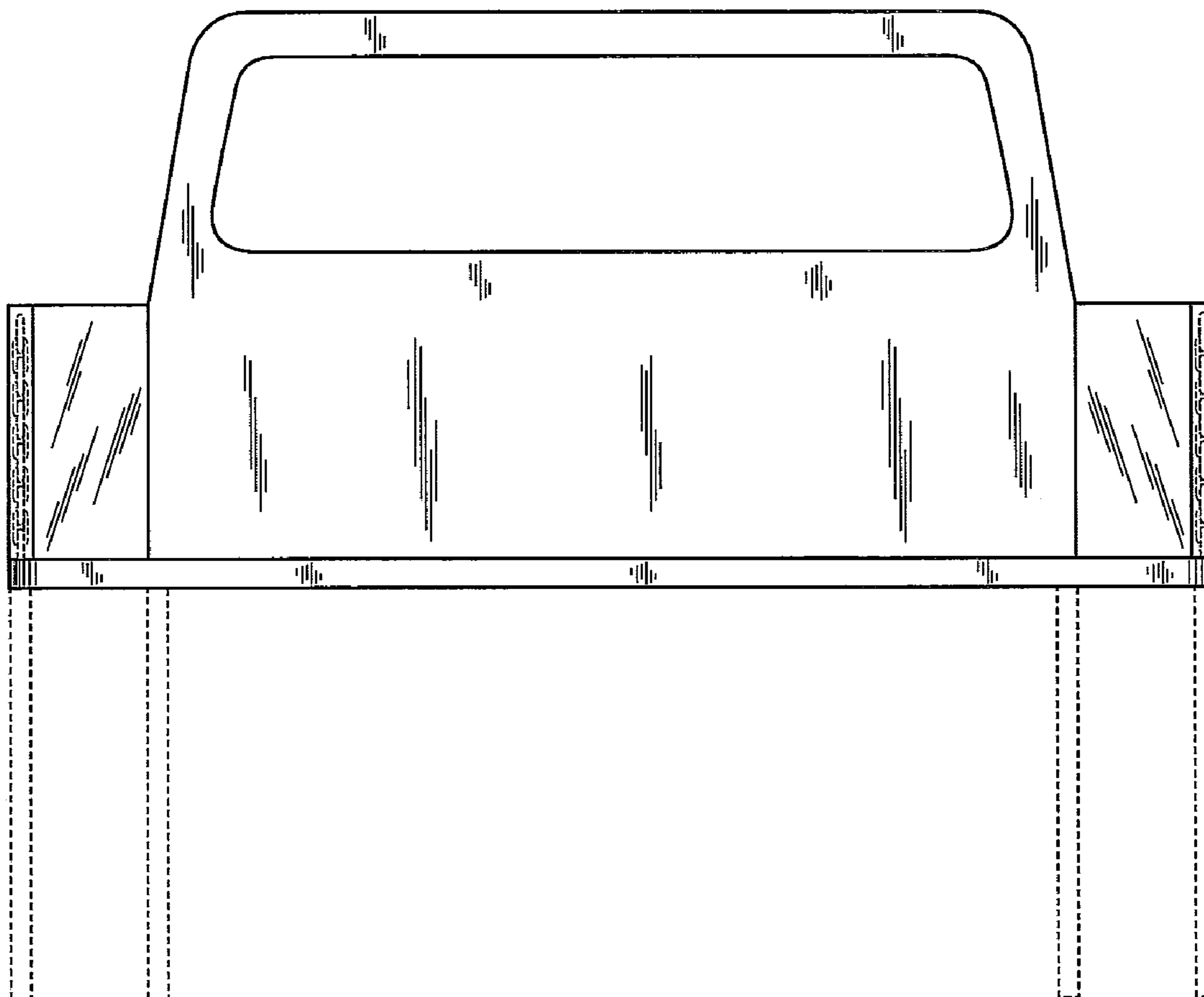
(56) **References Cited**

**U.S. PATENT DOCUMENTS**

3,591,930 A \* 7/1971 Little et al. .... 434/335  
D225,808 S \* 1/1973 Torrey ..... D6/421  
D246,315 S \* 11/1977 Tongish ..... D23/271  
D335,267 S \* 5/1993 Upshaw ..... D12/221

FIG. 1 is a front view of the food and/or beverage server resembling the tailgate area of a truck;  
FIG. 2 is a left side view thereof;  
FIG. 3 is a right side view thereof;  
FIG. 4 is a top view thereof; and,  
FIG. 5 is a perspective view thereof.  
The dashed lines are illustrative and form no part of the claimed design.

**1 Claim, 3 Drawing Sheets**



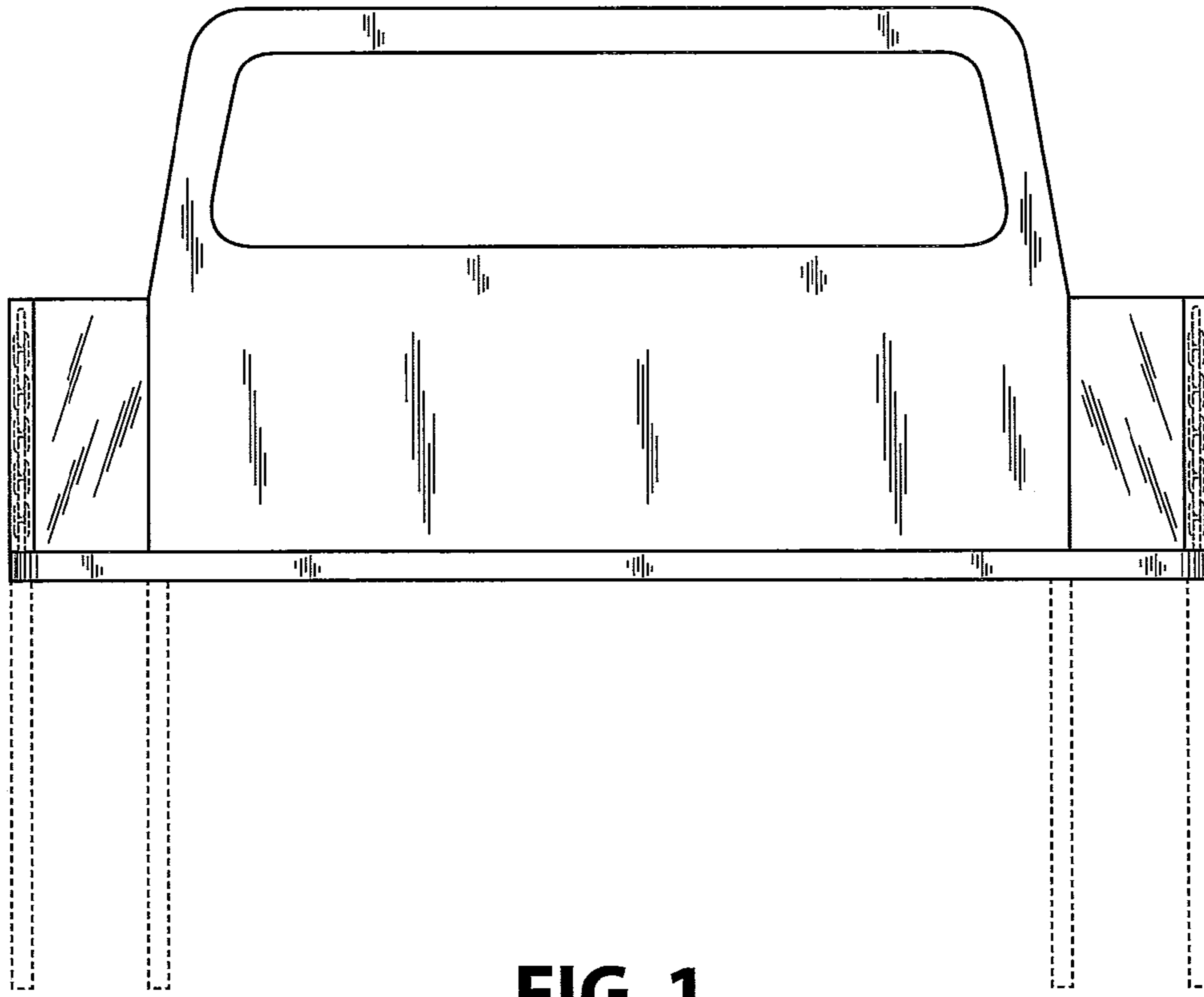


FIG. 1

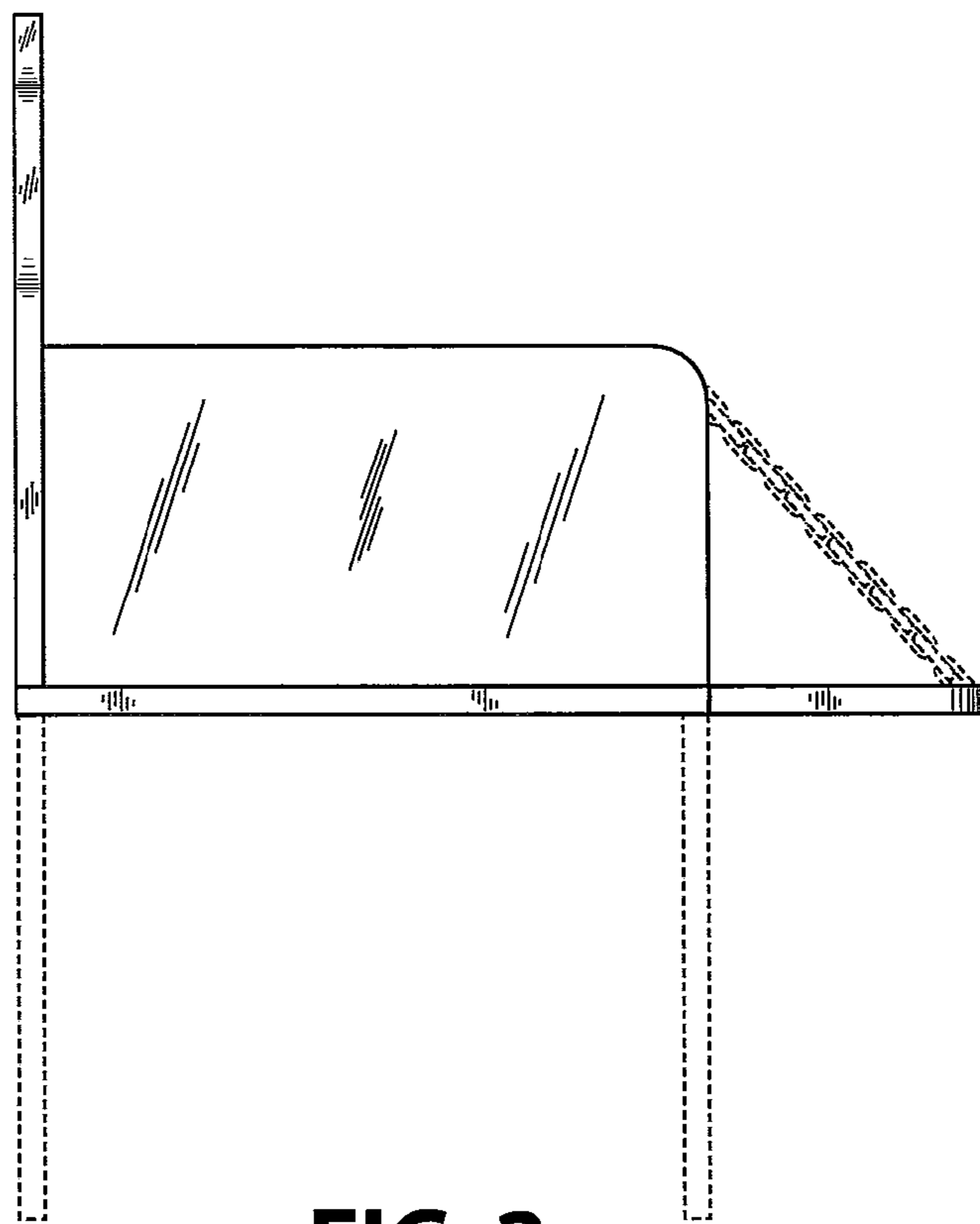
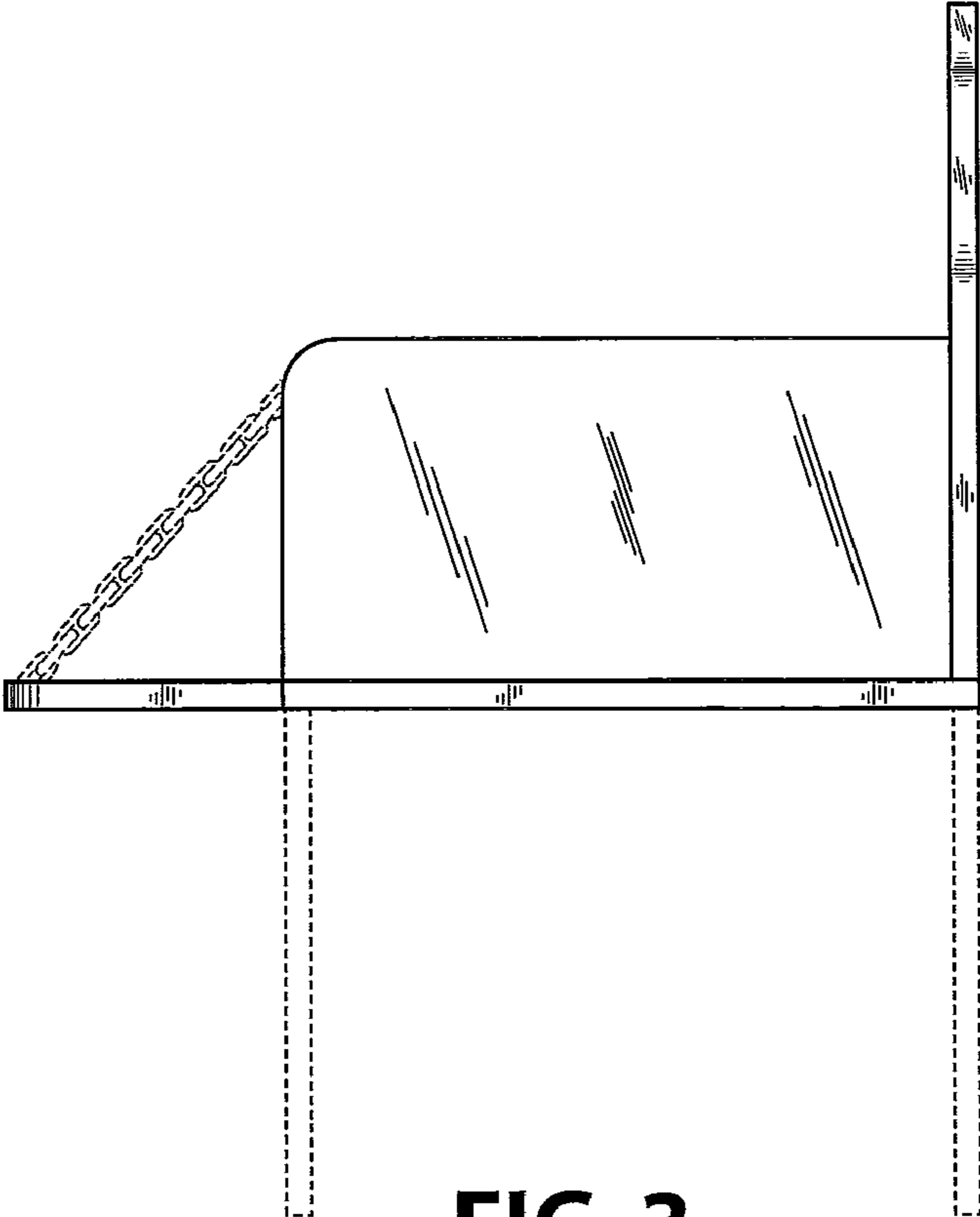
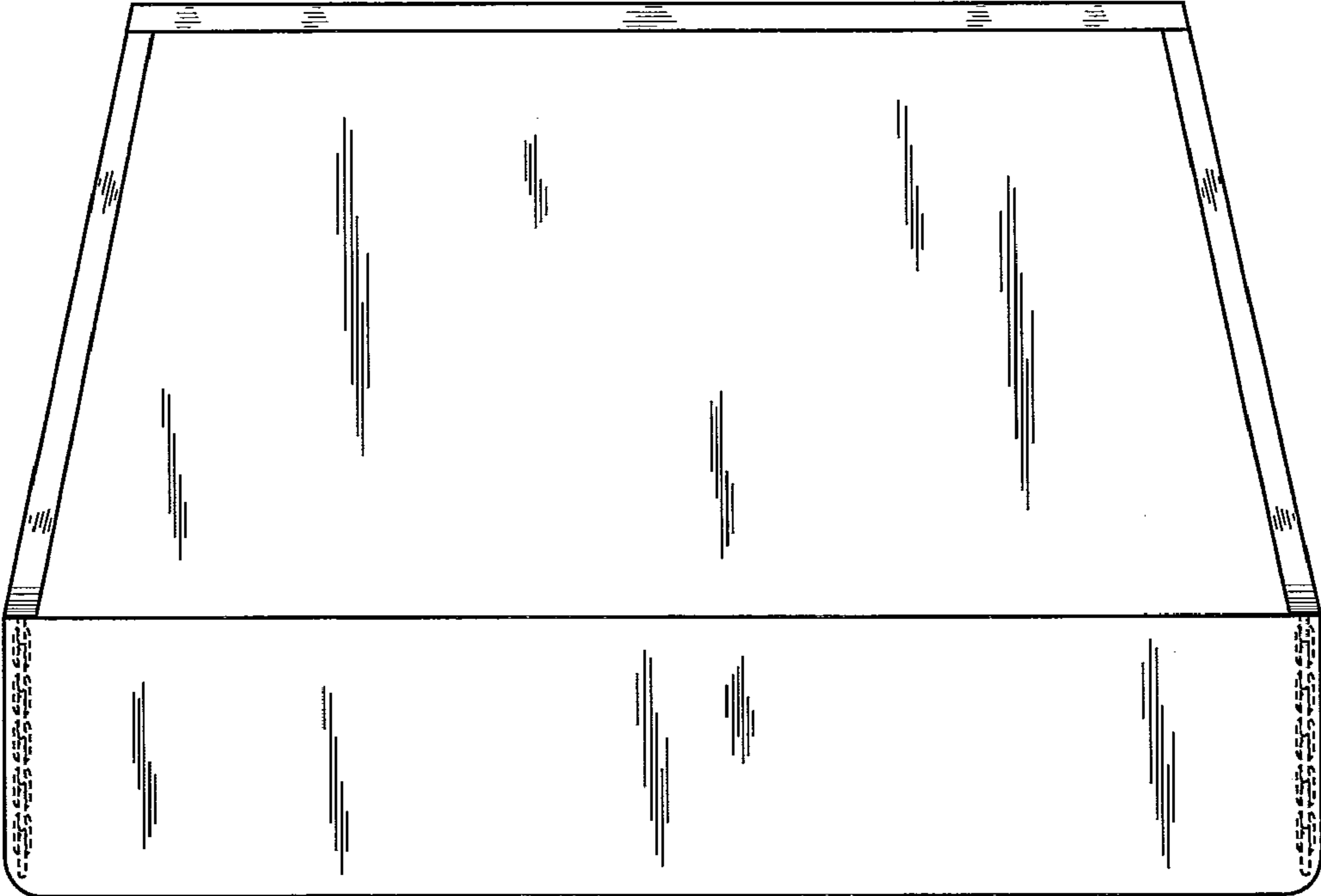


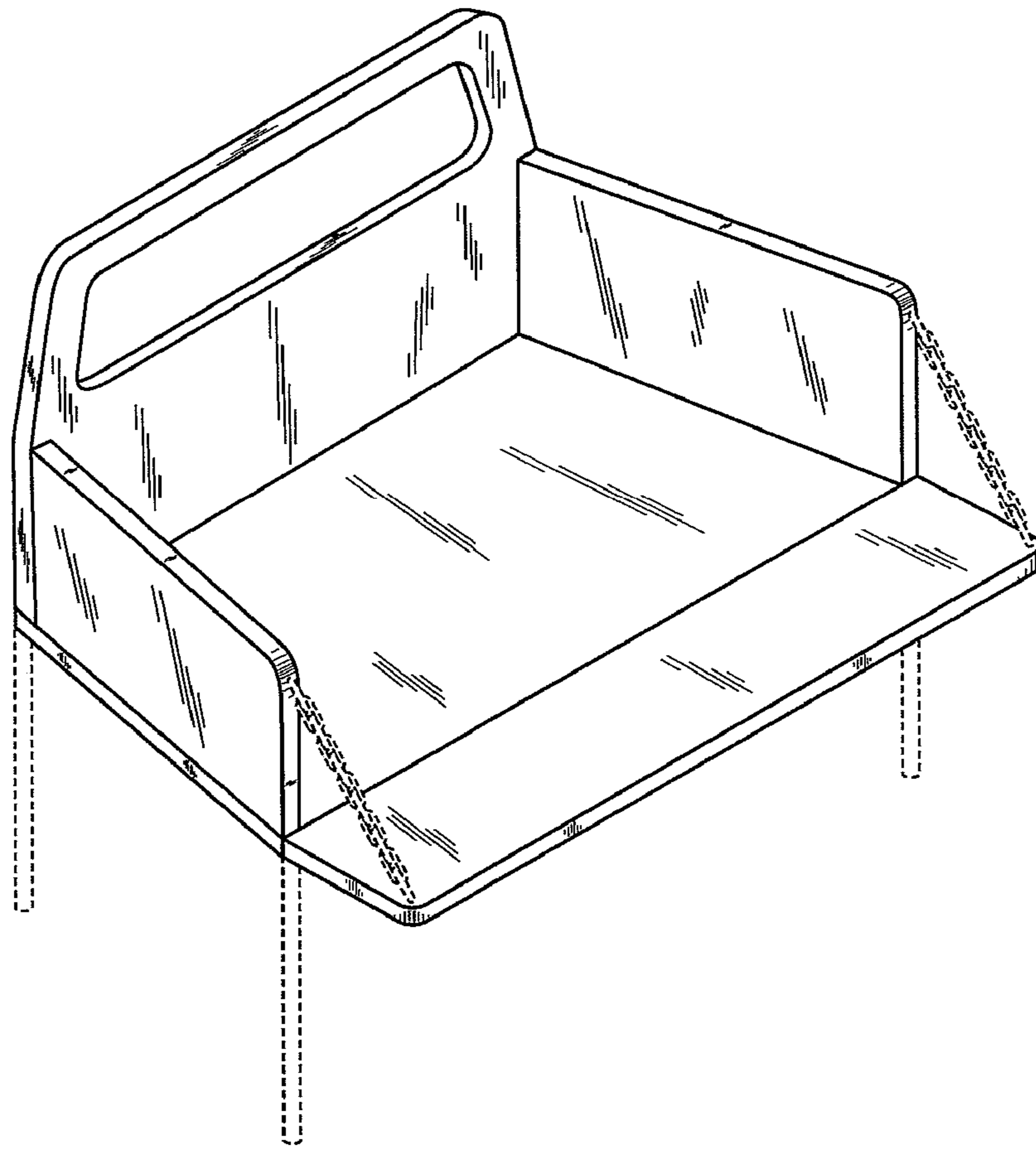
FIG. 2



**FIG. 3**



**FIG. 4**



**FIG. 5**