



US00D643232S

(12) **United States Design Patent**
Wagner

(10) **Patent No.:** **US D643,232 S**

(45) **Date of Patent:** **** Aug. 16, 2011**

(54) **DISPLAY STAND**

(75) Inventor: **Adam Wagner**, Brooklyn, NY (US)

(73) Assignee: **Victoria's Secret Stores Brand Management, Inc.**, Reynoldsburg, OH (US)

(**) Term: **14 Years**

(21) Appl. No.: **29/373,248**

(22) Filed: **Mar. 23, 2011**

(51) **LOC (9) Cl.** **06-06**

(52) **U.S. Cl.** **D6/474**

(58) **Field of Classification Search** D6/405,
D6/449, 460, 464, 473-474, 477-479; 211/13.1,
211/52, 90.01; 248/441.1, 450-451
See application file for complete search history.

(56) **References Cited**

U.S. PATENT DOCUMENTS

23,739	A	10/1894	Herhold	
679,003	A	7/1901	McRay	
1,427,293	A	8/1922	Holliday	
2,230,015	A *	1/1941	Rich	182/161
2,856,112	A	10/1958	Broderick	
213,809	A	4/1969	Redman	
3,948,192	A *	4/1976	Yellin	108/101
259,007	A	4/1981	Schuckenbrock	
259,530	A	6/1981	Korzon	
270,590	A	9/1983	Berlic	
299,797	A	2/1989	Walter	
D319,156	S *	8/1991	Cugley	D6/474
D334,309	S *	3/1993	Stricker	D6/474
D343,906	S *	2/1994	Murray	D25/64
344,594	A	2/1994	Whitney	
347,129	A	5/1994	Zinke	
D356,907	S *	4/1995	Jernigan	D6/463
D372,989	S *	8/1996	Gile et al.	D25/68
5,967,260	A *	10/1999	Spak	182/165
D464,817	S *	10/2002	Lopez	D6/349
467,667	A1	12/2002	Alim	
D494,780	S *	8/2004	Harwanko	D6/474

D512,585	S *	12/2005	Rozenboom	D6/474
D520,778	S *	5/2006	Lenger	D6/474
D523,155	S *	6/2006	Shoultz	D25/64
541,557	A1	5/2007	Weatherly	
D573,372	S *	7/2008	Gibbs et al.	D6/477
D591,533	S *	5/2009	Karsson	D6/474
D624,200	S *	9/2010	Kieffer et al.	D25/65

OTHER PUBLICATIONS

Ladder Display from: www.flickr.com/photos/queenvannacreations/3982340512 Feb. 1, 2011.

Ladder Display, Vintage Inspiration Friday # 4 from: <https://commonground-debrasvintagedesigns.blogspot.com/2010/09/vintage-inspiration>.

Ladder Shelf picture from: Feb. 1, 2011 <https://home-and-garden.webshots.com/photo/106755526003891492RAVFgS>.

* cited by examiner

Primary Examiner — Elizabeth Albert

Assistant Examiner — Kelley Donnelly

(74) *Attorney, Agent, or Firm* — Ward & Zinna, LLC

(57) **CLAIM**

The ornamental design for a display stand, as shown and described.

DESCRIPTION

FIG. 1 is a front perspective view of a display stand showing my new design;

FIG. 2 is a back perspective view thereof;

FIG. 3 is a front view thereof;

FIG. 4 is a back view thereof;

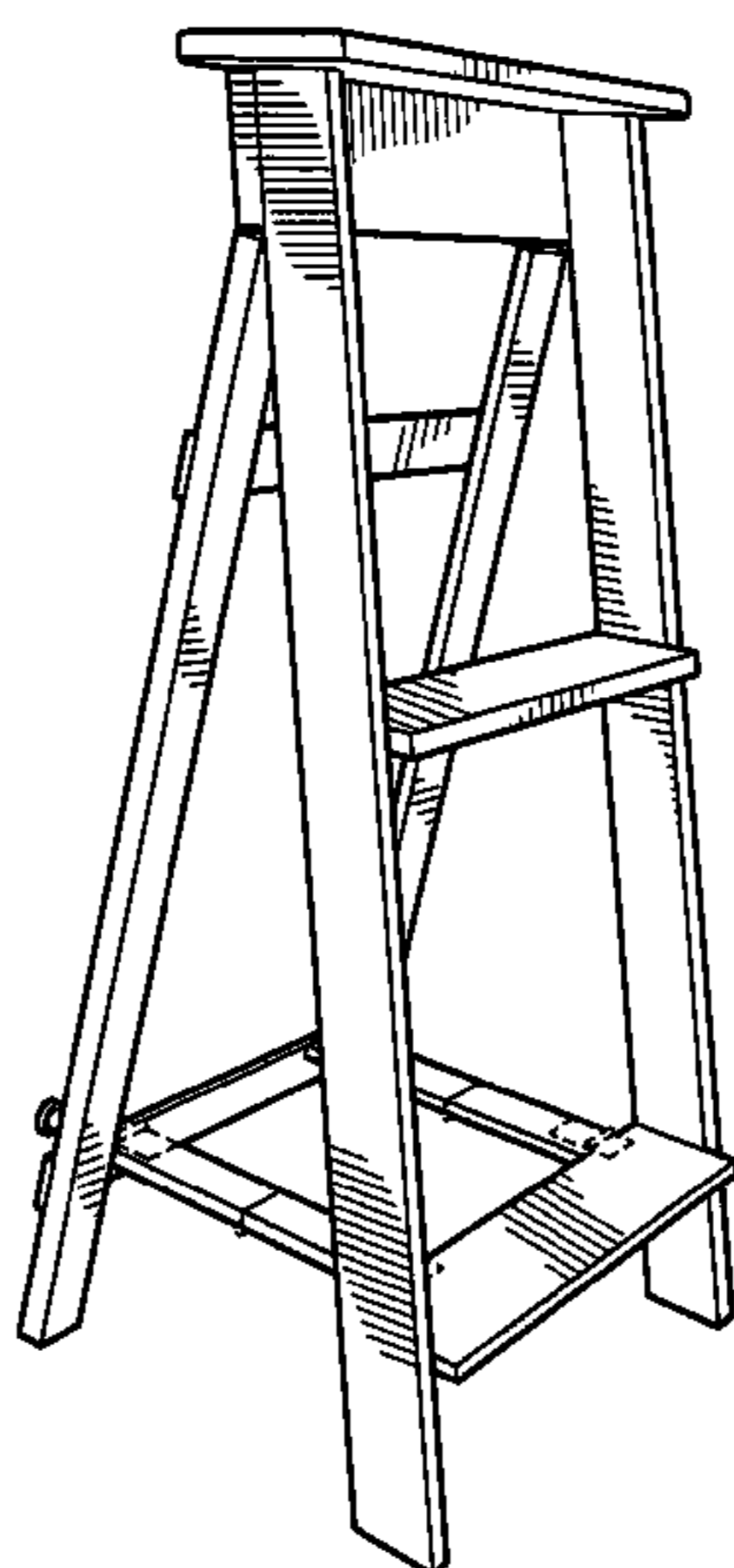
FIG. 5 is a side view thereof, which is a mirror image of the opposite side thereof;

FIG. 6 is a top view thereof; and,

FIG. 7 is a bottom view thereof.

The broken line showing in FIGS. 1-7 is included for the purpose of illustrating environment of the design and forms no part of the claimed design.

1 Claim, 3 Drawing Sheets



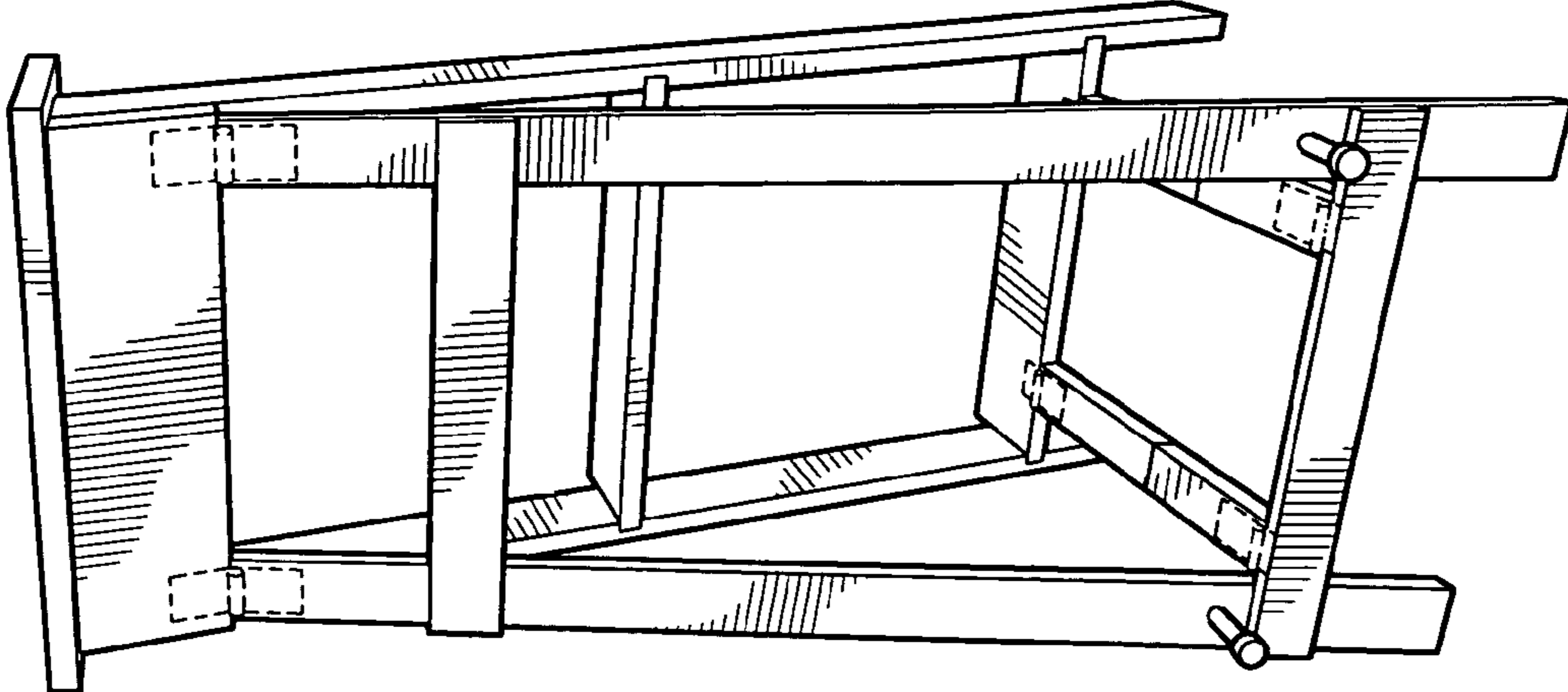


FIG. 2

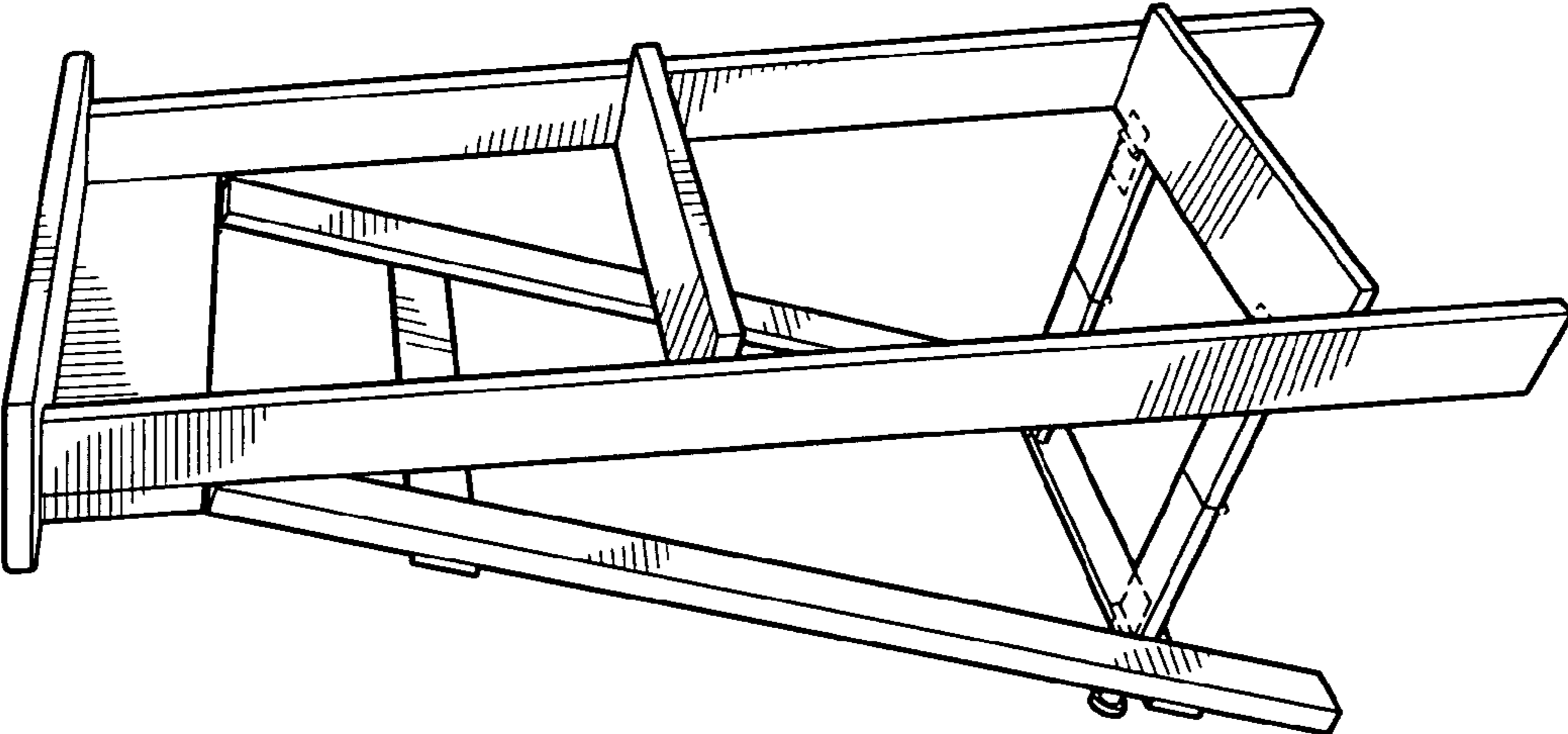


FIG. 1

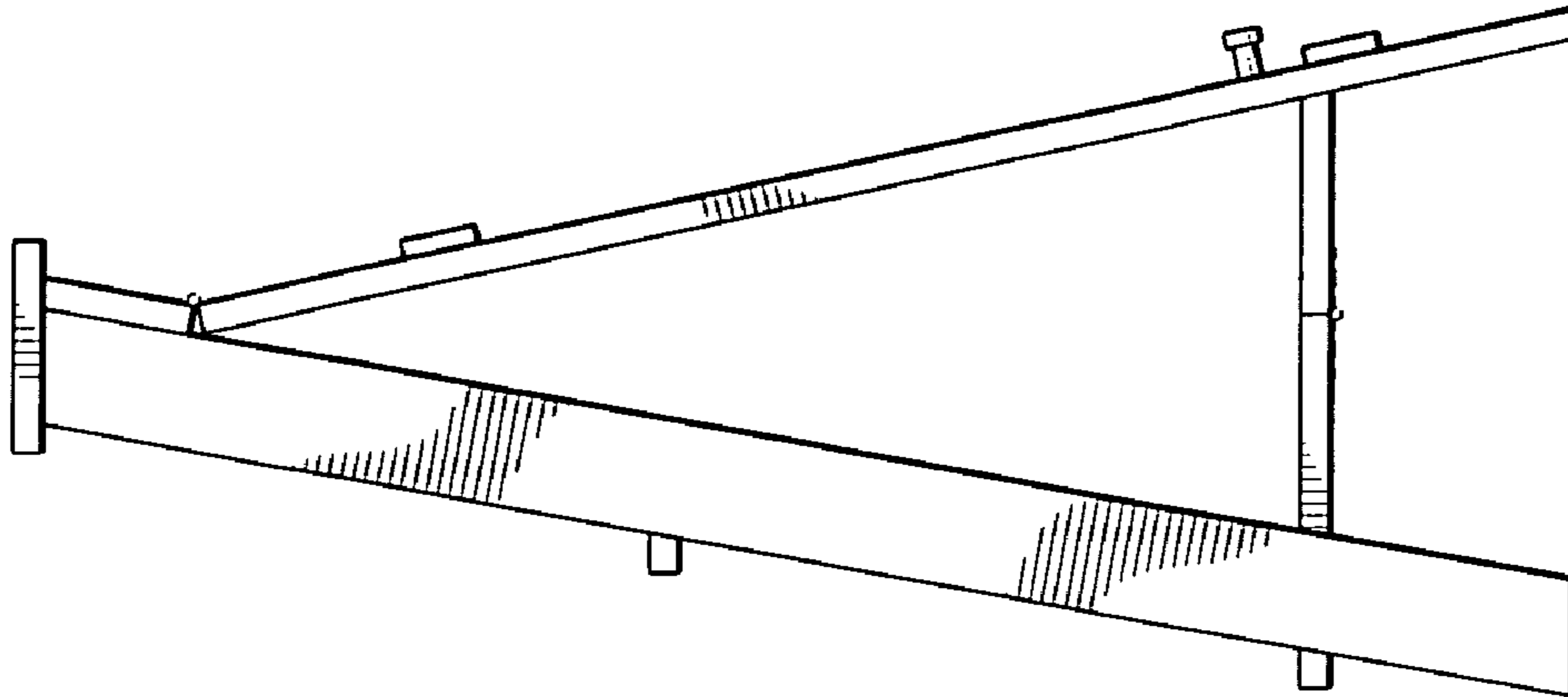


FIG. 5

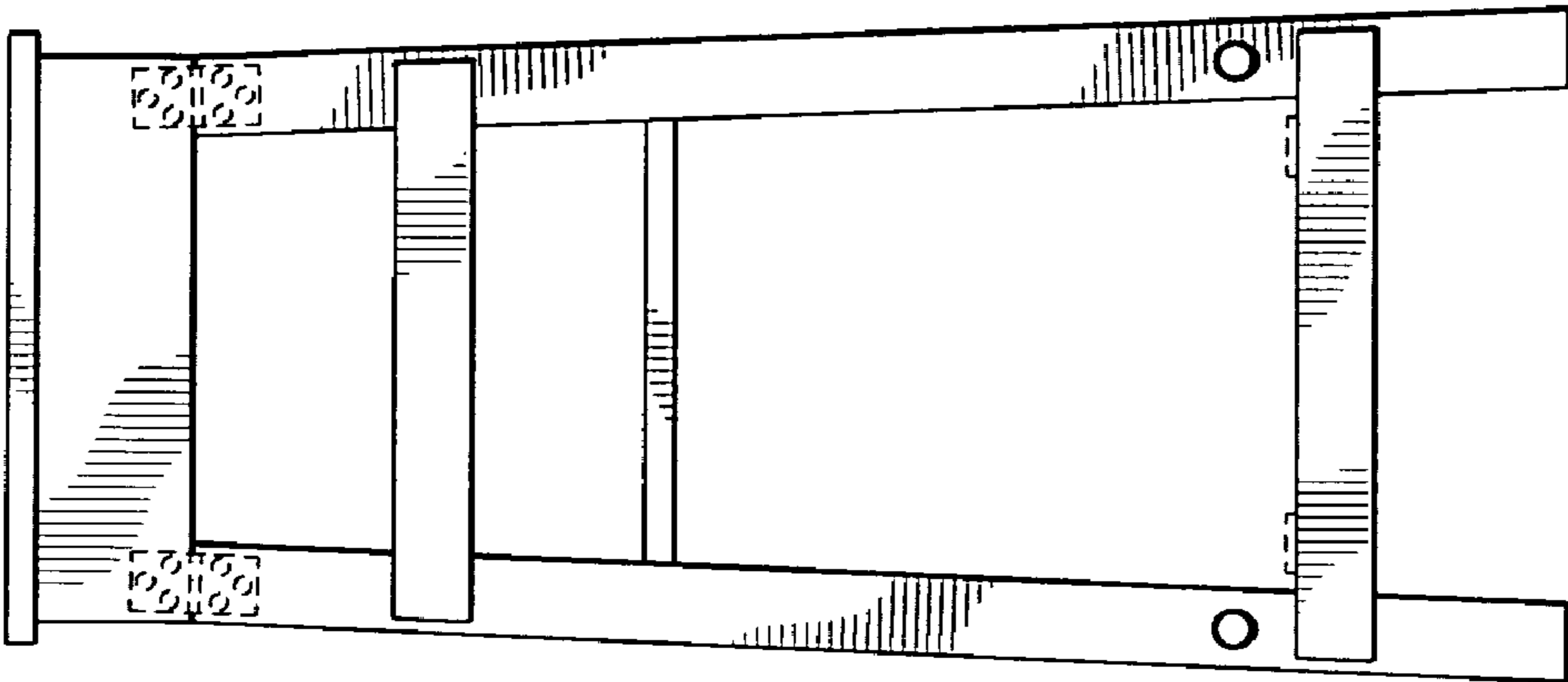


FIG. 4

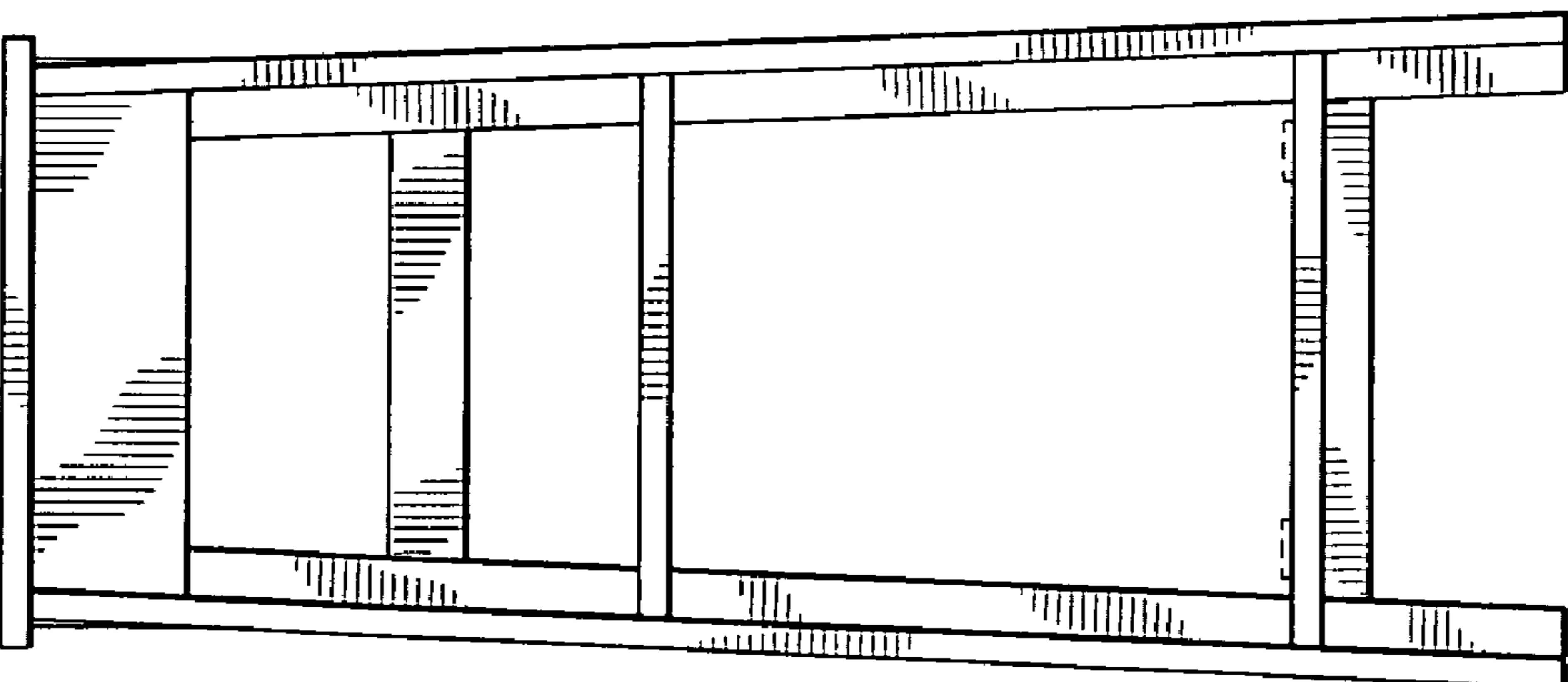


FIG. 3

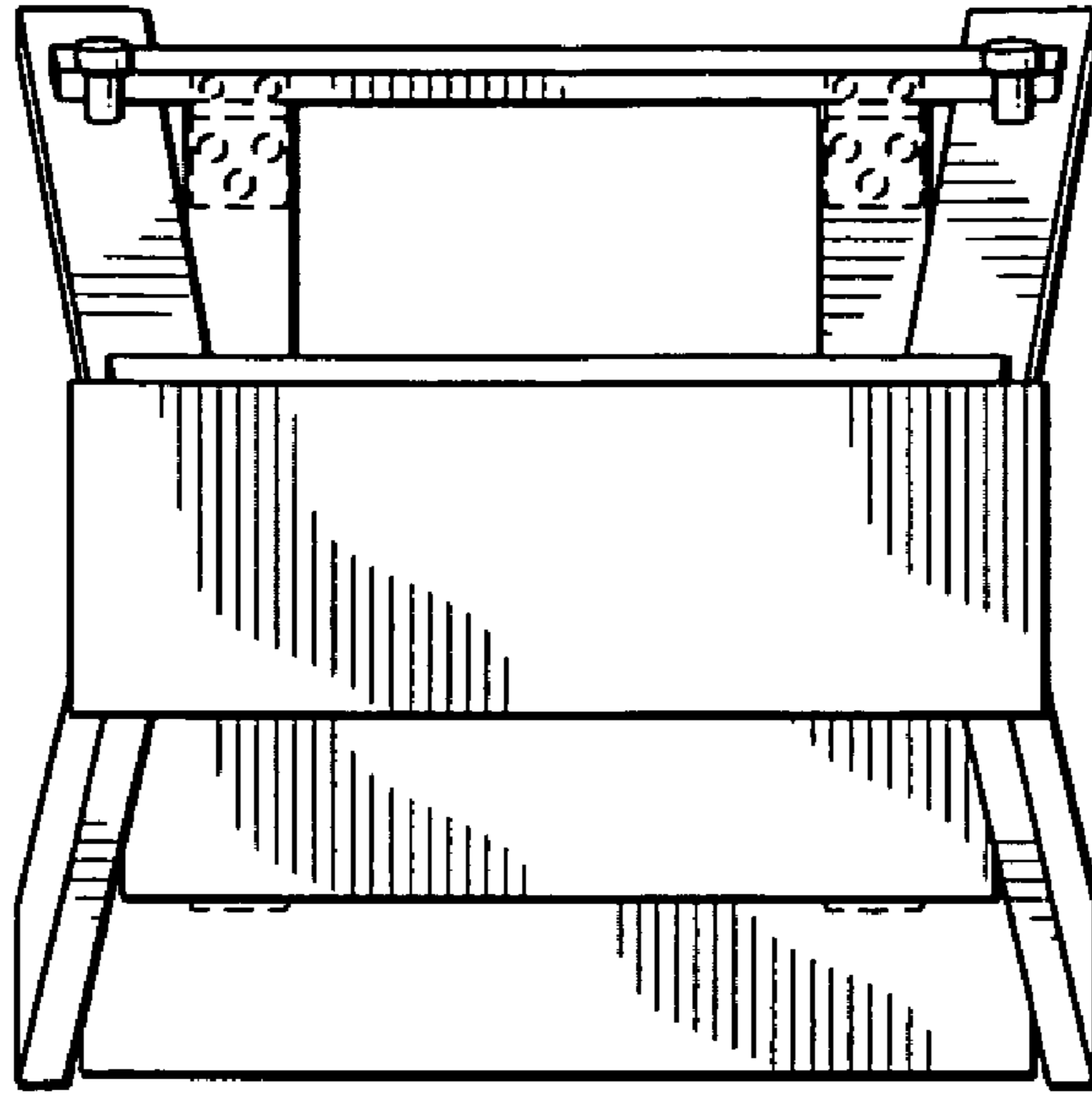


FIG. 6

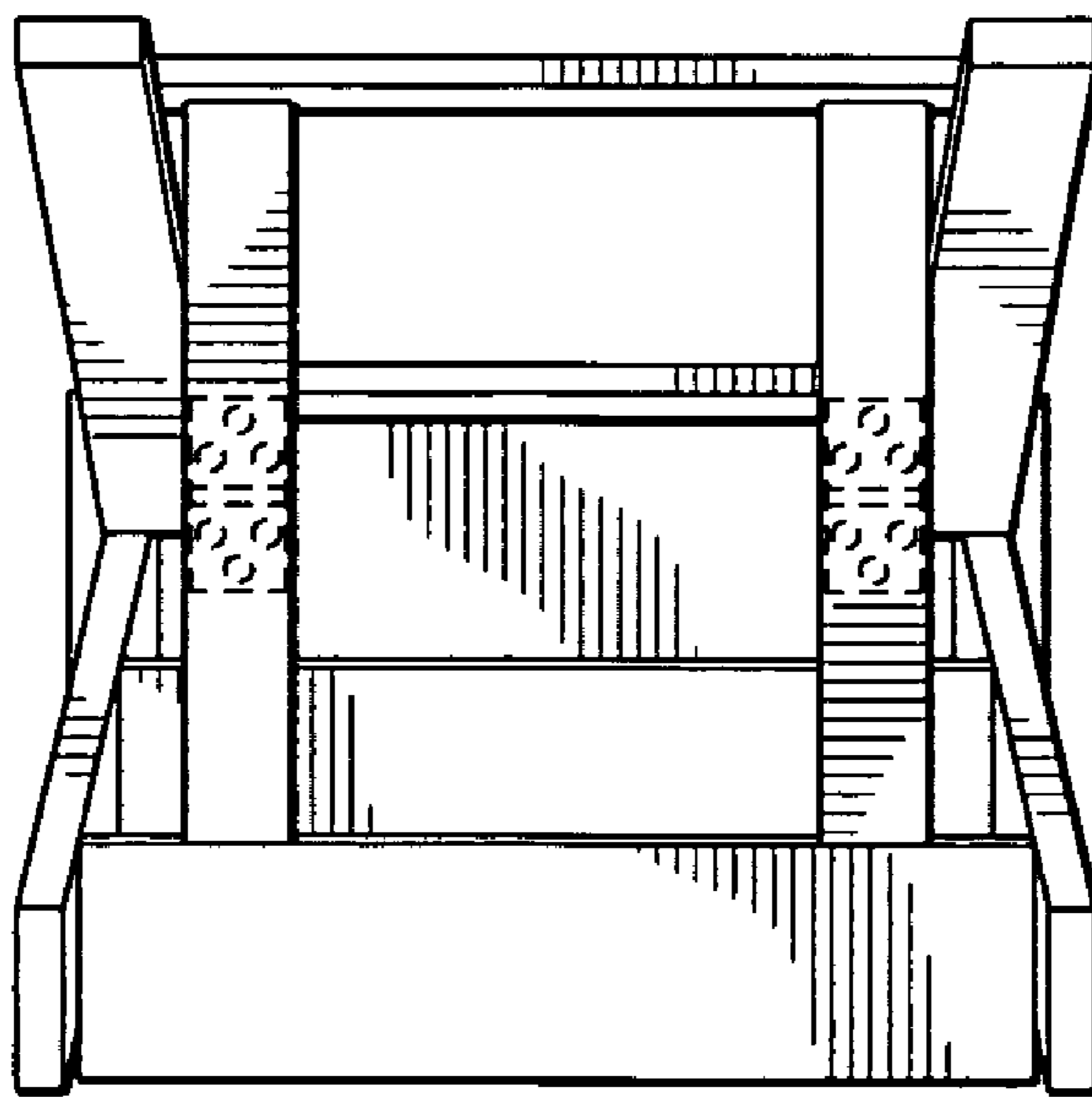


FIG. 7