



US00D643230S

(12) **United States Design Patent**
Hepeng

(10) **Patent No.:** **US D643,230 S**

(45) **Date of Patent:** **** Aug. 16, 2011**

(54) **FOLDABLE STAND**

(75) Inventor: **Wei Hepeng**, Wuxi (CN)

(73) Assignee: **Howard Berger Co., Inc.**, Cranbury, NJ (US)

(**) Term: **14 Years**

(21) Appl. No.: **29/372,532**

(22) Filed: **Dec. 3, 2010**

(51) **LOC (9) Cl.** **06-04**

(52) **U.S. Cl.** **D6/411**

(58) **Field of Classification Search** D6/411,
D6/462, 449, 419, 466, 431; 248/523, 173,
248/185.1, 97, 441.1, 448, 449, 454, 460;
D16/244; D21/715; D20/19, 41; 211/13.1,
211/85.3, 205, 34; D7/707

See application file for complete search history.

(56) **References Cited**

U.S. PATENT DOCUMENTS

4,671,479	A *	6/1987	Johnson et al.	248/173
5,639,056	A *	6/1997	Mecalf	248/523
D388,262	S *	12/1997	Benting et al.	D6/419
D415,805	S *	10/1999	Wygonik	D21/715
6,007,032	A *	12/1999	Kuo	248/185.1
D421,447	S *	3/2000	Eason et al.	D16/244
D469,278	S *	1/2003	Lippert	D6/466
D506,219	S *	6/2005	Eason	D16/244
D523,260	S *	6/2006	Sciandra	D6/462

D570,618	S *	6/2008	Tai	D6/431
D625,528	S *	10/2010	Sprague	D6/449
D632,720	S *	2/2011	Barker	D16/244

* cited by examiner

Primary Examiner — Philip S Hyder

Assistant Examiner — Sydney Buffalow

(74) *Attorney, Agent, or Firm* — Kramer Levin Naftalis & Frankel LLP

(57) **CLAIM**

The ornamental design for a foldable stand, as shown and described.

DESCRIPTION

FIG. 1 is a front perspective view of the foldable stand according to the present invention;
 FIG. 2 is a front elevational view thereof, the rear elevational view being a mirror image thereof;
 FIG. 3 is a side elevational view thereof, rotated 45 degrees relative to FIG. 2, the opposite side elevational view being a mirror image thereof;
 FIG. 4 is a top view thereof;
 FIG. 5 is a bottom view thereof;
 FIG. 6 is an exploded perspective view thereof;
 FIG. 7 is a front perspective view of the base portion of the foldable stand as shown in FIG. 6, in the folded state, the rear elevational view being a mirror image thereof; and,
 FIG. 8 is a side view of the base portion of the foldable stand as shown in FIG. 6 rotated 45 degrees relative to FIG. 7, the opposite side view being a mirror image thereof.

1 Claim, 7 Drawing Sheets

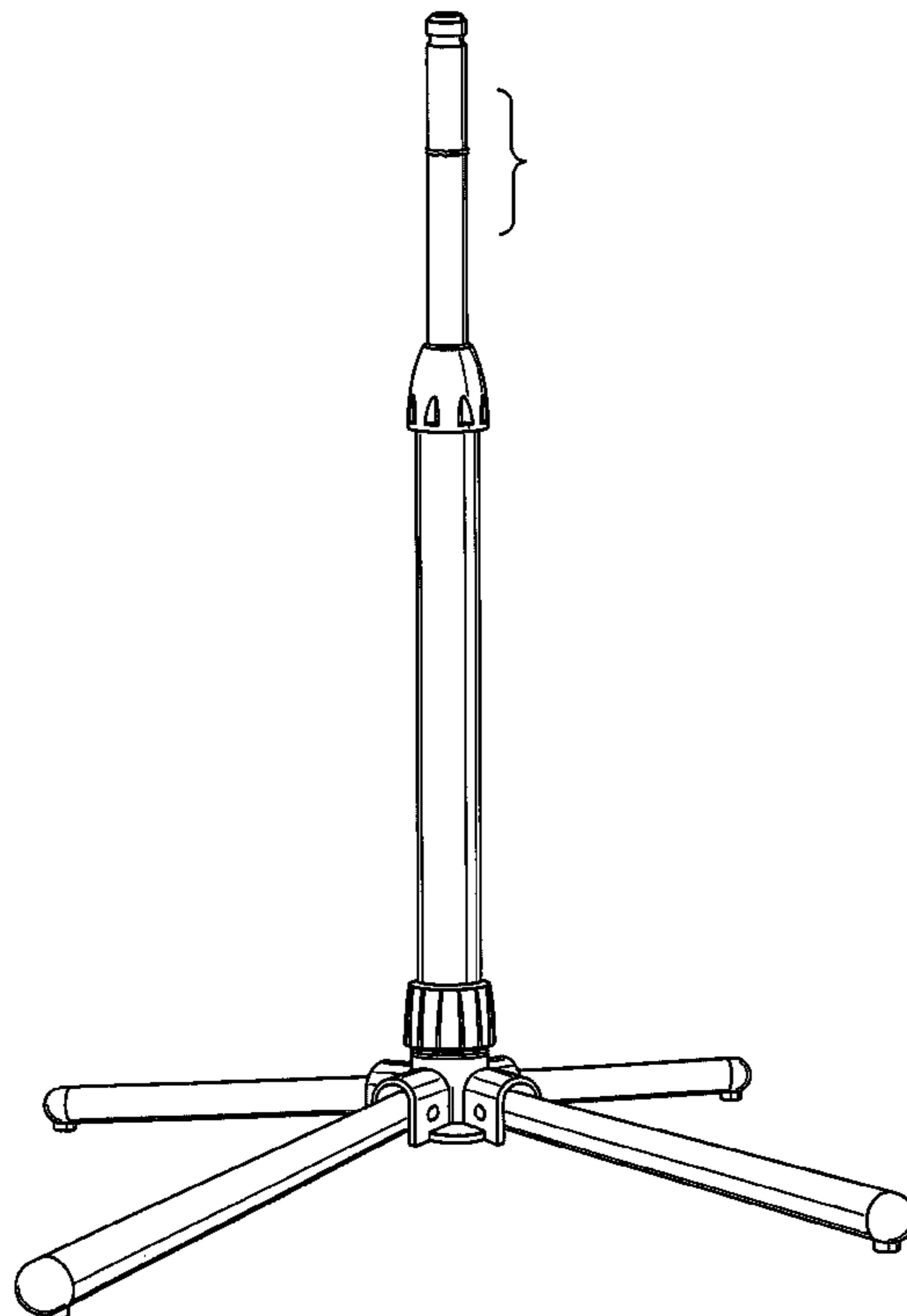


Fig. 1

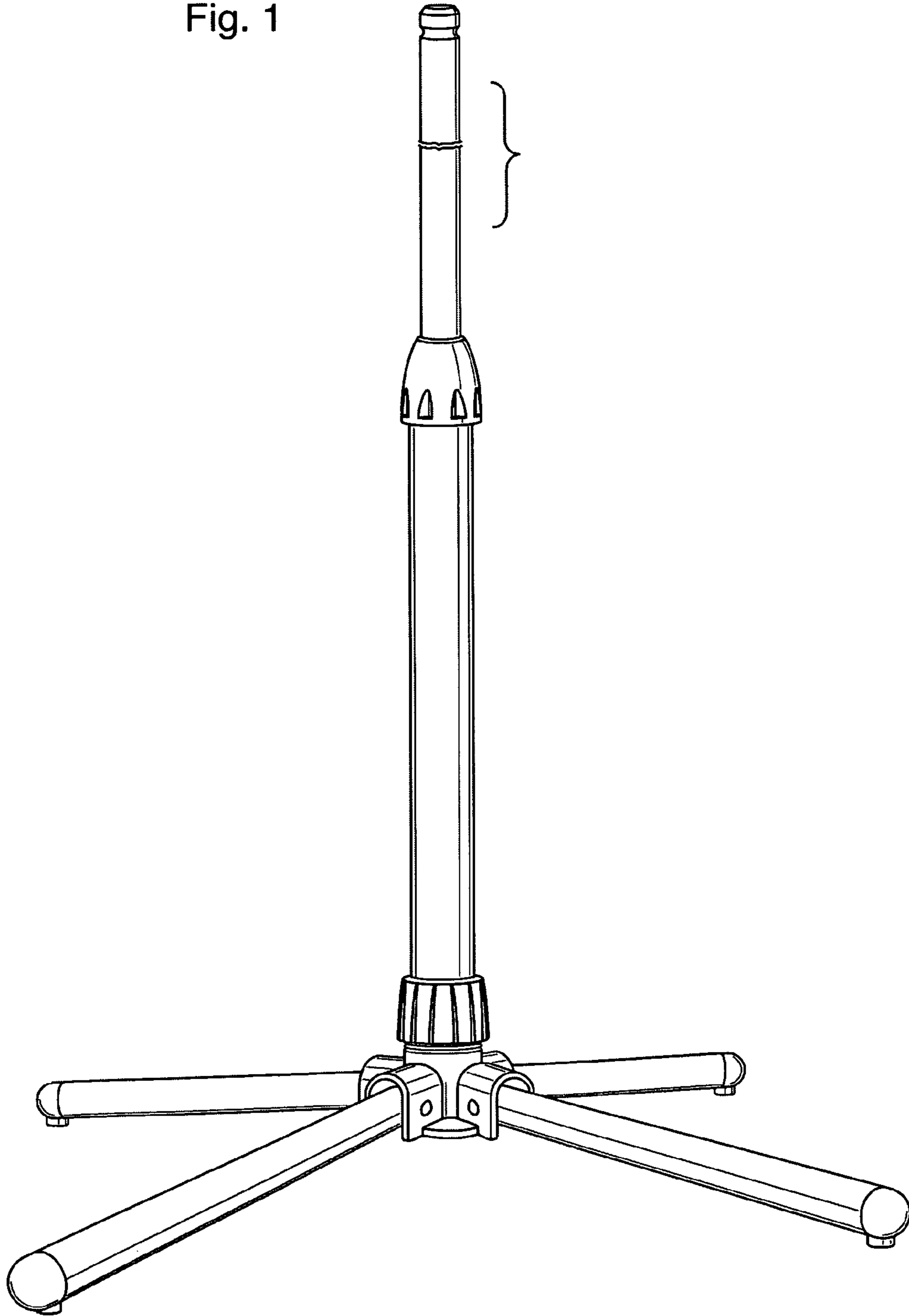


Fig. 2

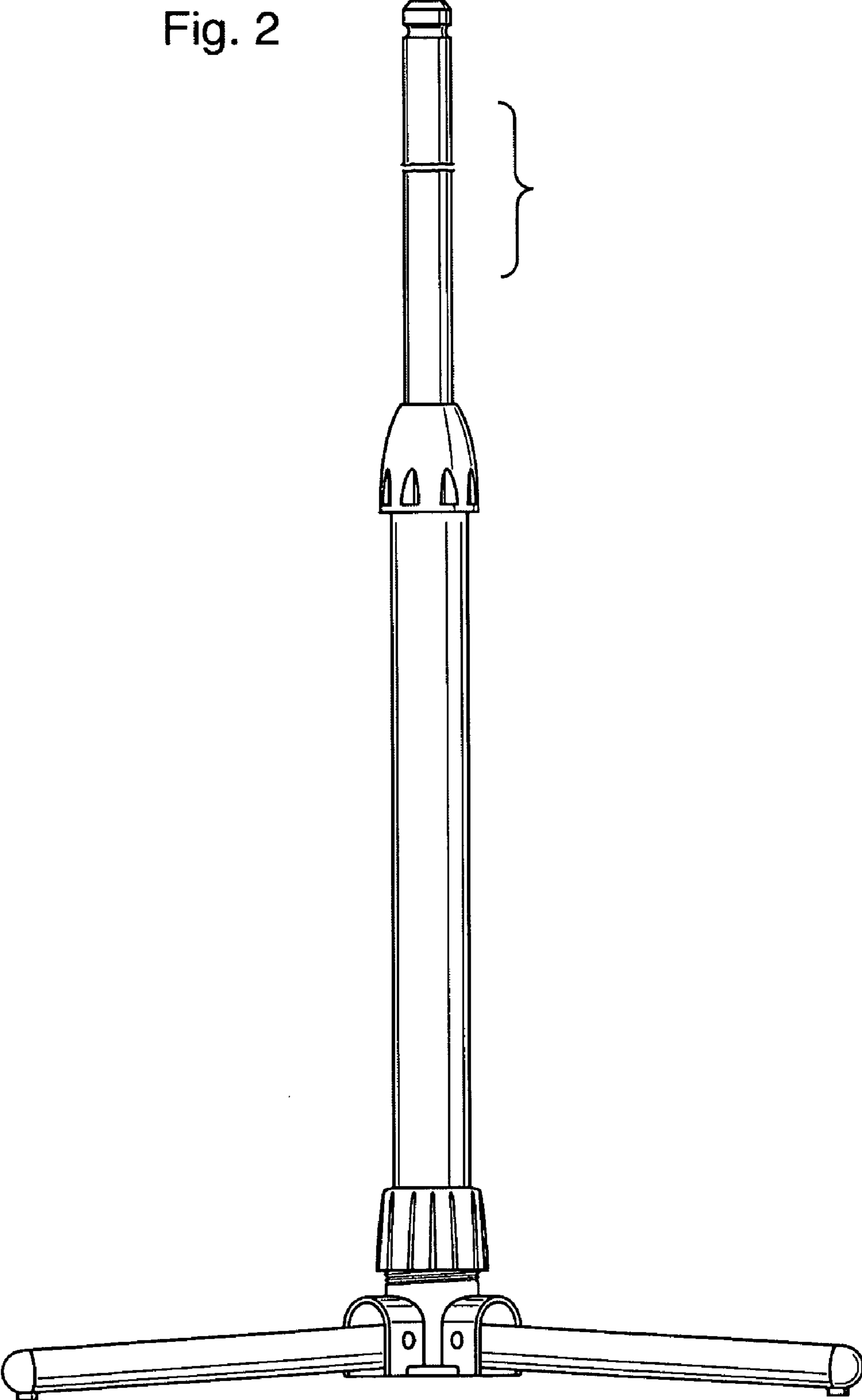


Fig. 3

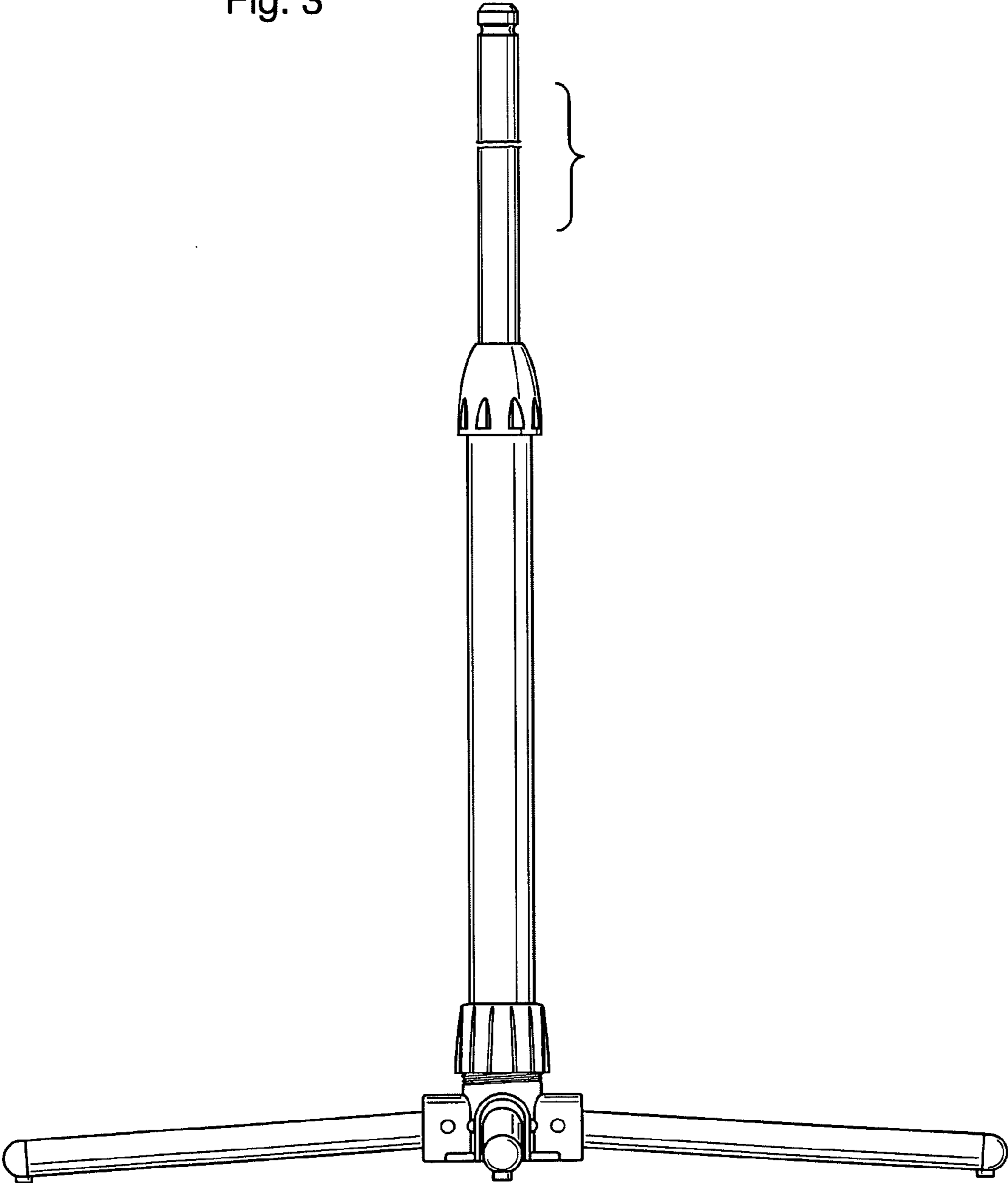


Fig. 4

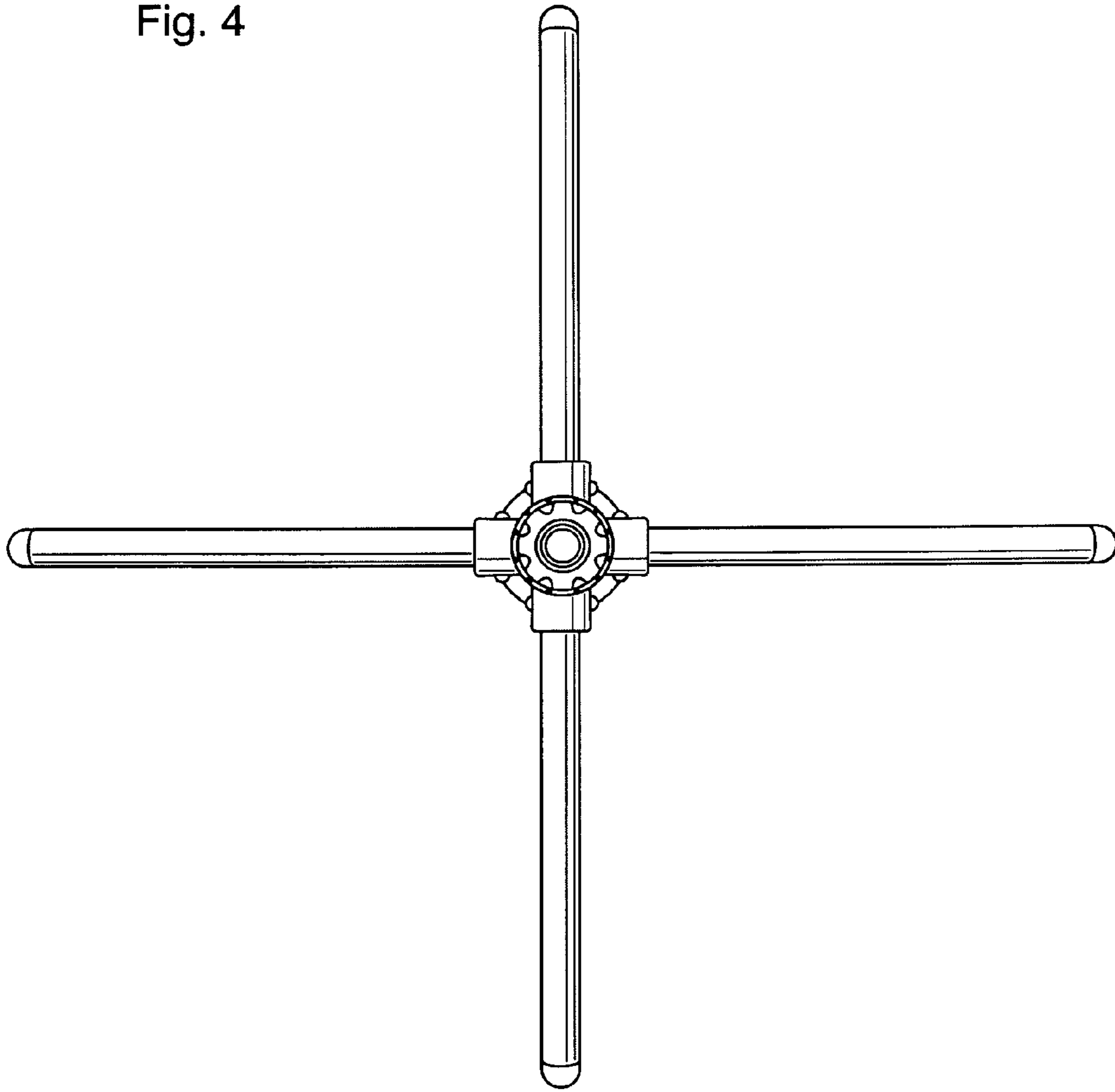


Fig. 5

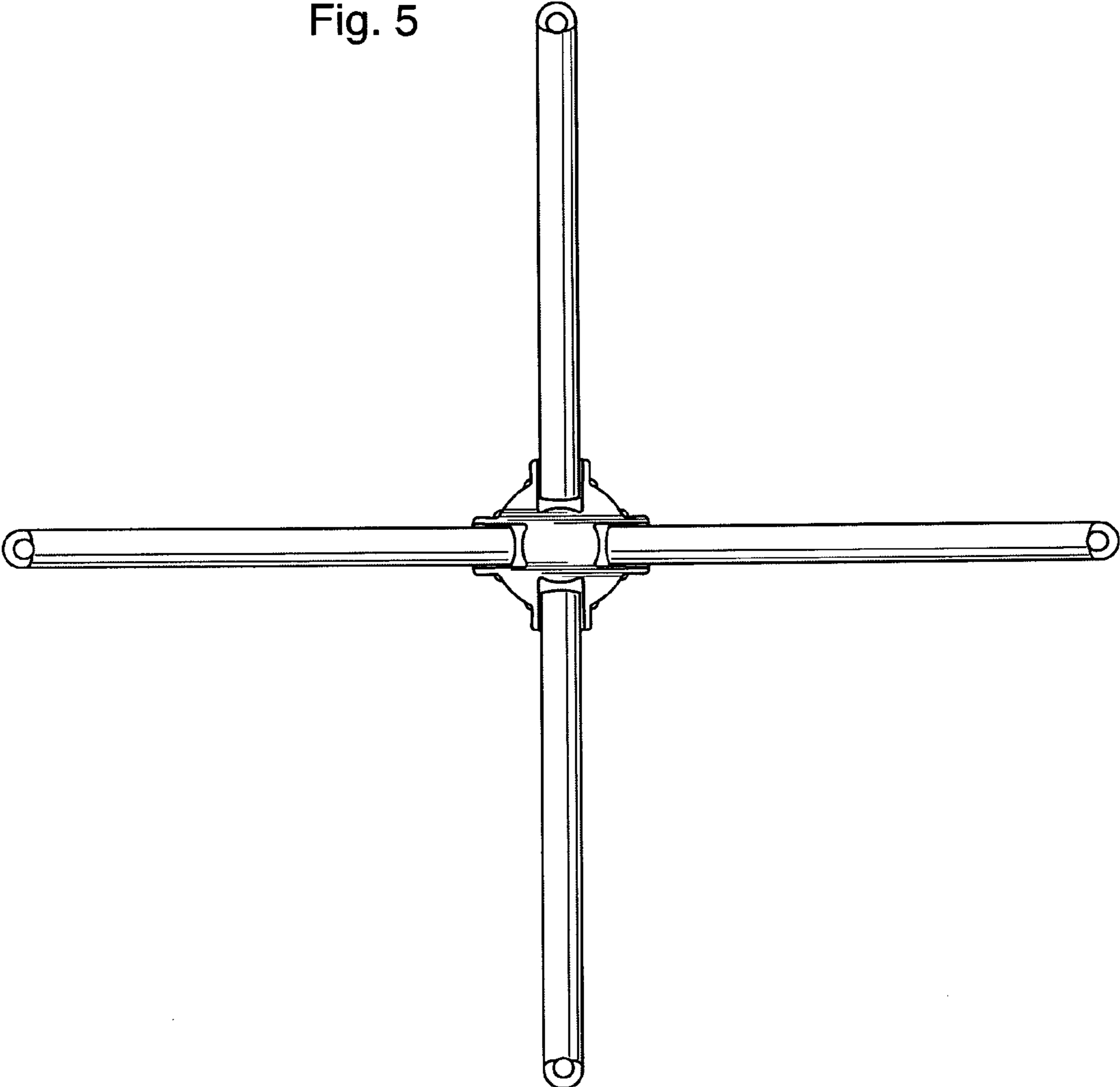


Fig. 6

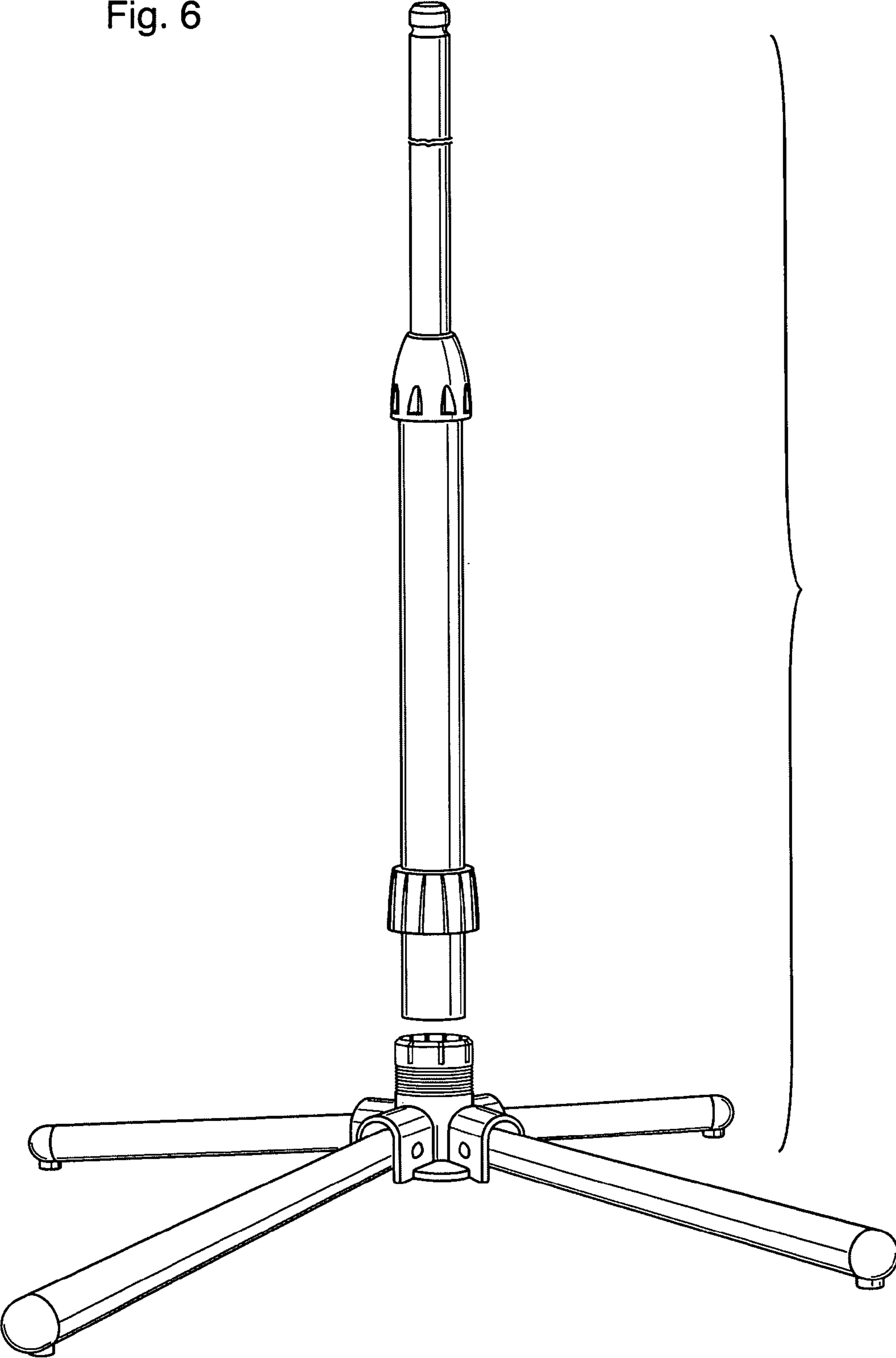


Fig. 7

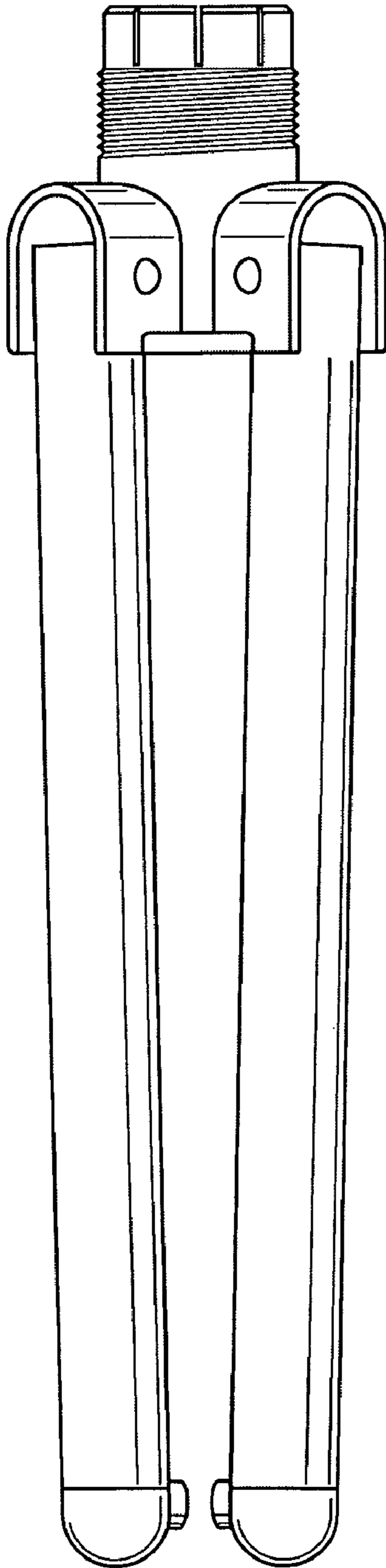


Fig. 8

