



US00D643229S

(12) **United States Design Patent**  
**Rosenfeld**

(10) **Patent No.:** **US D643,229 S**

(45) **Date of Patent:** **\*\* Aug. 16, 2011**

(54) **WORKBENCH**

(76) Inventor: **Ami Rosenfeld, Zur Igal (IL)**

(\*\*) Term: **14 Years**

(21) Appl. No.: **29/353,332**

(22) Filed: **Jan. 7, 2010**

(51) **LOC (9) Cl.** ..... **06-04**

(52) **U.S. Cl.** ..... **D6/400**

(58) **Field of Classification Search** ..... D6/400,  
D6/429-431; 269/139, 16, 152, 155; 312/280;  
D25/62, 67; 144/285, 286 R, 286 A, 287,  
144/288

See application file for complete search history.

(56) **References Cited**

**U.S. PATENT DOCUMENTS**

D230,801	S	*	3/1974	Hickman et al.	.....	D6/400
D250,079	S	*	10/1978	Hickman et al.	.....	D6/400
D256,533	S	*	8/1980	Alessio	.....	D6/400
4,252,304	A	*	2/1981	Pettican	.....	269/139
4,278,243	A	*	7/1981	Alessio	.....	269/16
D351,295	S	*	10/1994	Noniewicz	.....	D6/400
D374,996	S	*	10/1996	Noniewicz	.....	D6/400
D386,624	S	*	11/1997	Meisner et al.	.....	D6/400
5,806,947	A	*	9/1998	Meisner et al.	.....	312/280
D415,365	S	*	10/1999	Nicklas	.....	D6/400
D448,948	S	*	10/2001	Wolff	.....	D6/400
6,769,674	B2	*	8/2004	Chang	.....	269/139
2003/0214088	A1	*	11/2003	Chang	.....	269/139

**OTHER PUBLICATIONS**

1 sheet printout from websight [www.red-toolbox.com/images/workbench\\_large.jpg](http://www.red-toolbox.com/images/workbench_large.jpg).\*

\* cited by examiner

*Primary Examiner* — Phillip S Hyder

*Assistant Examiner* — Sydney Buffalow

(74) *Attorney, Agent, or Firm* — Deborah Gador

(57) **CLAIM**

The ornamental design for a workbench, as shown and described.

**DESCRIPTION**

FIG. 1 is a perspective view of a workbench showing my new design;

FIG. 2 is another perspective view thereof;

FIG. 3 is a perspective view thereof in which the middle board of the workbench is removed;

FIG. 4 is a front view thereof;

FIG. 5 is a side view thereof;

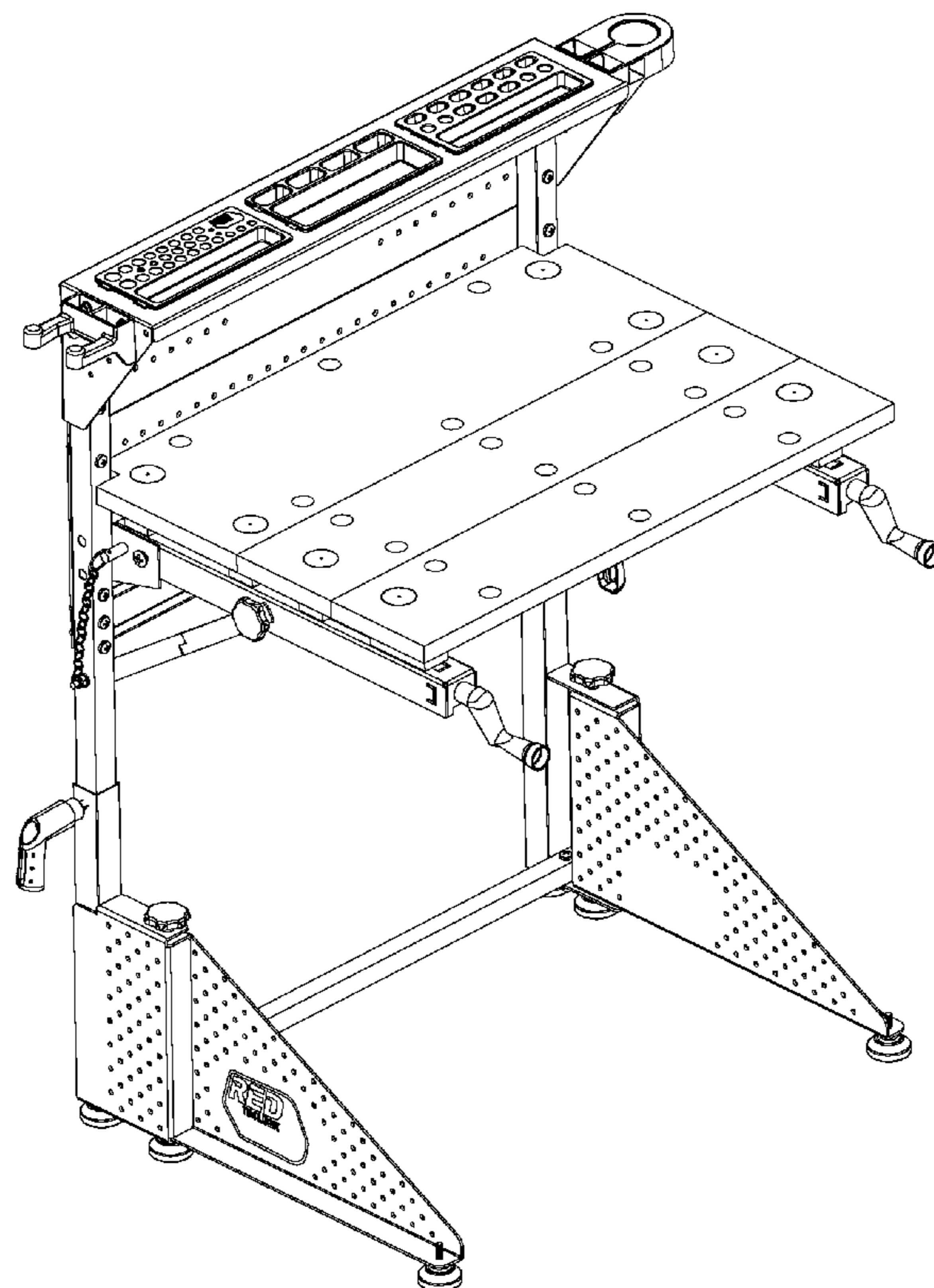
FIG. 6 is a back view thereof;

FIG. 7 is a top view thereof; and,

FIG. 8 is a bottom view thereof.

The other side of the design is a mirror image of the side shown in FIG. 5.

**1 Claim, 8 Drawing Sheets**



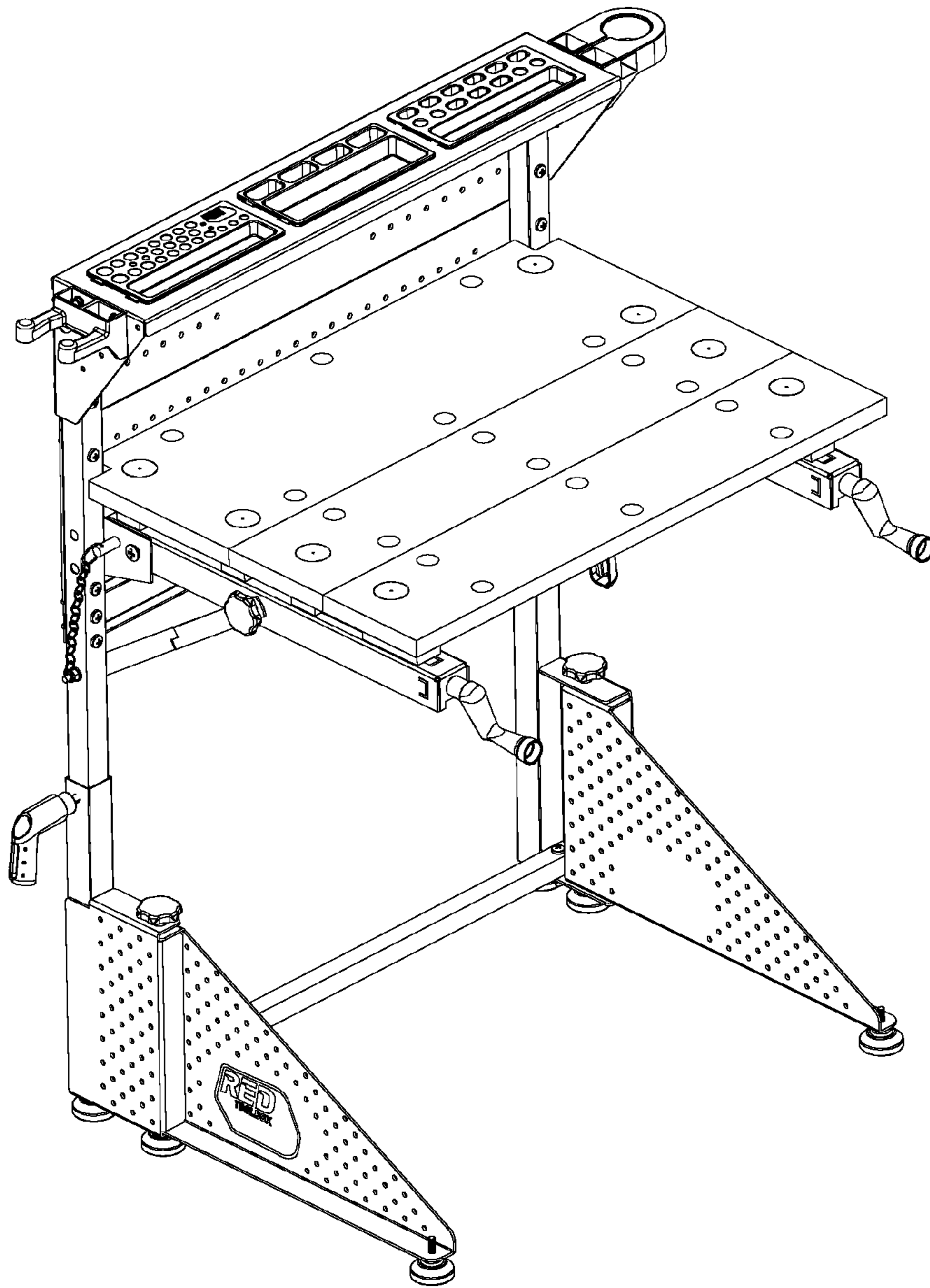


FIG 1

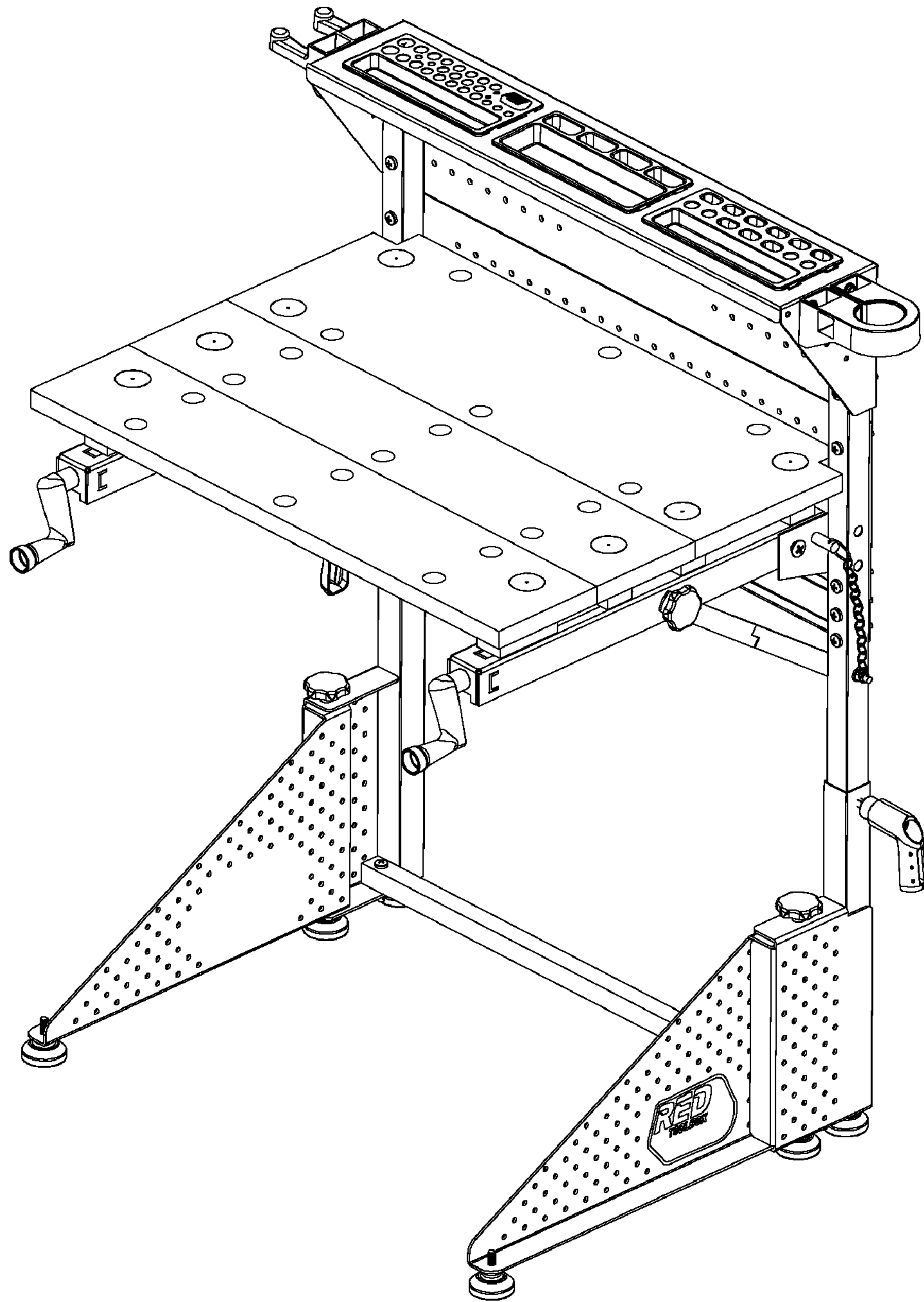


FIG 2



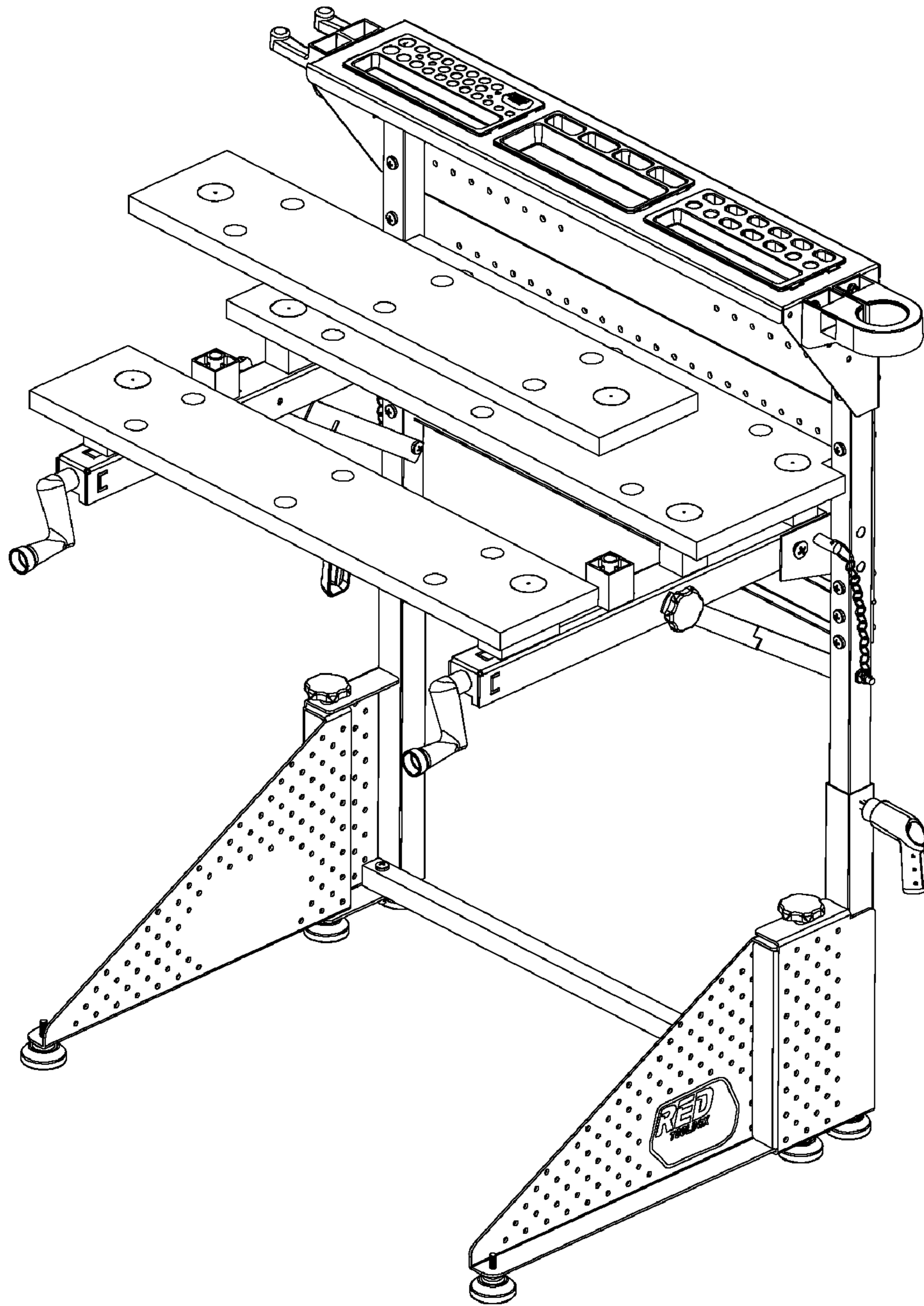


FIG 3

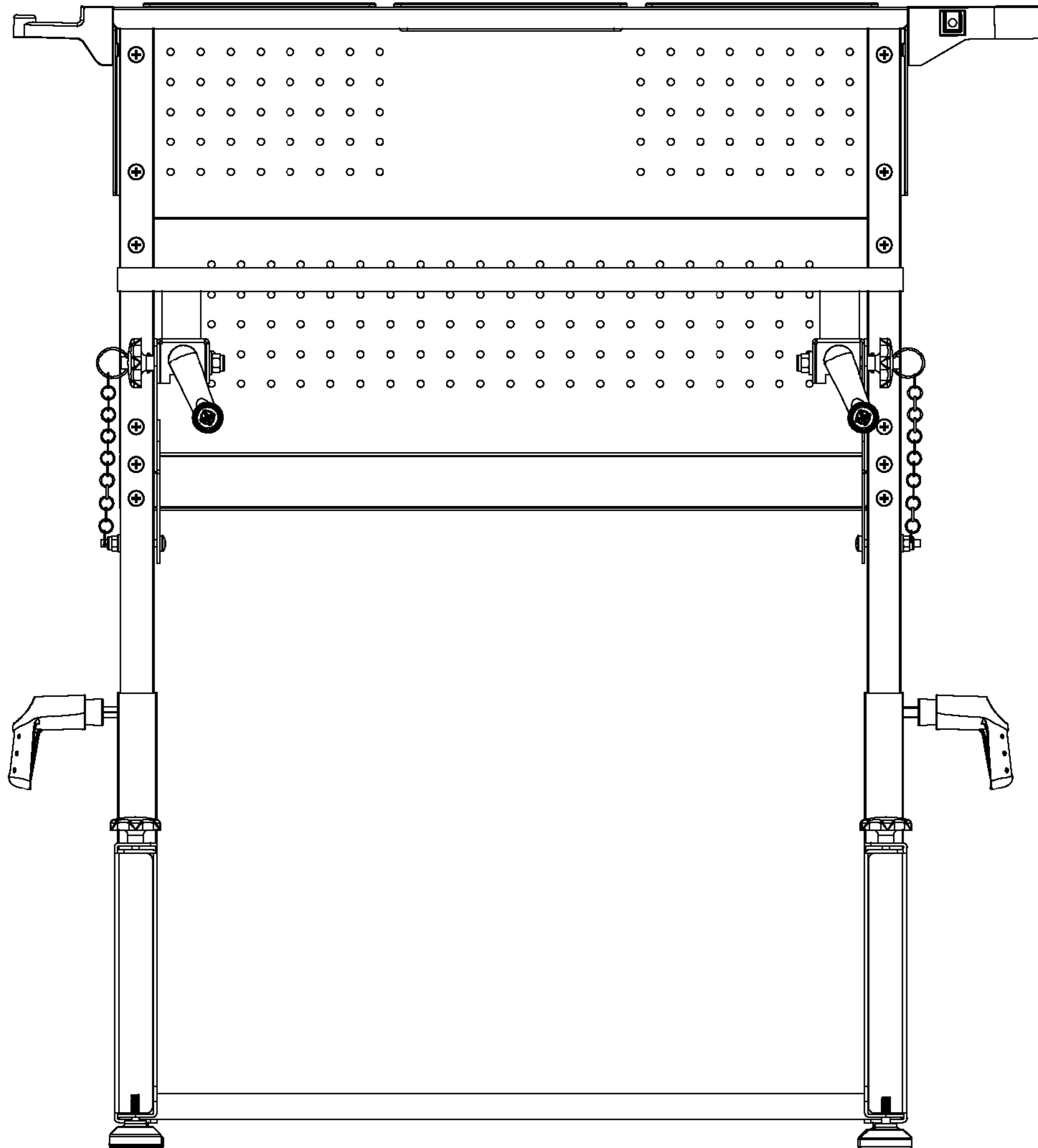


FIG 4

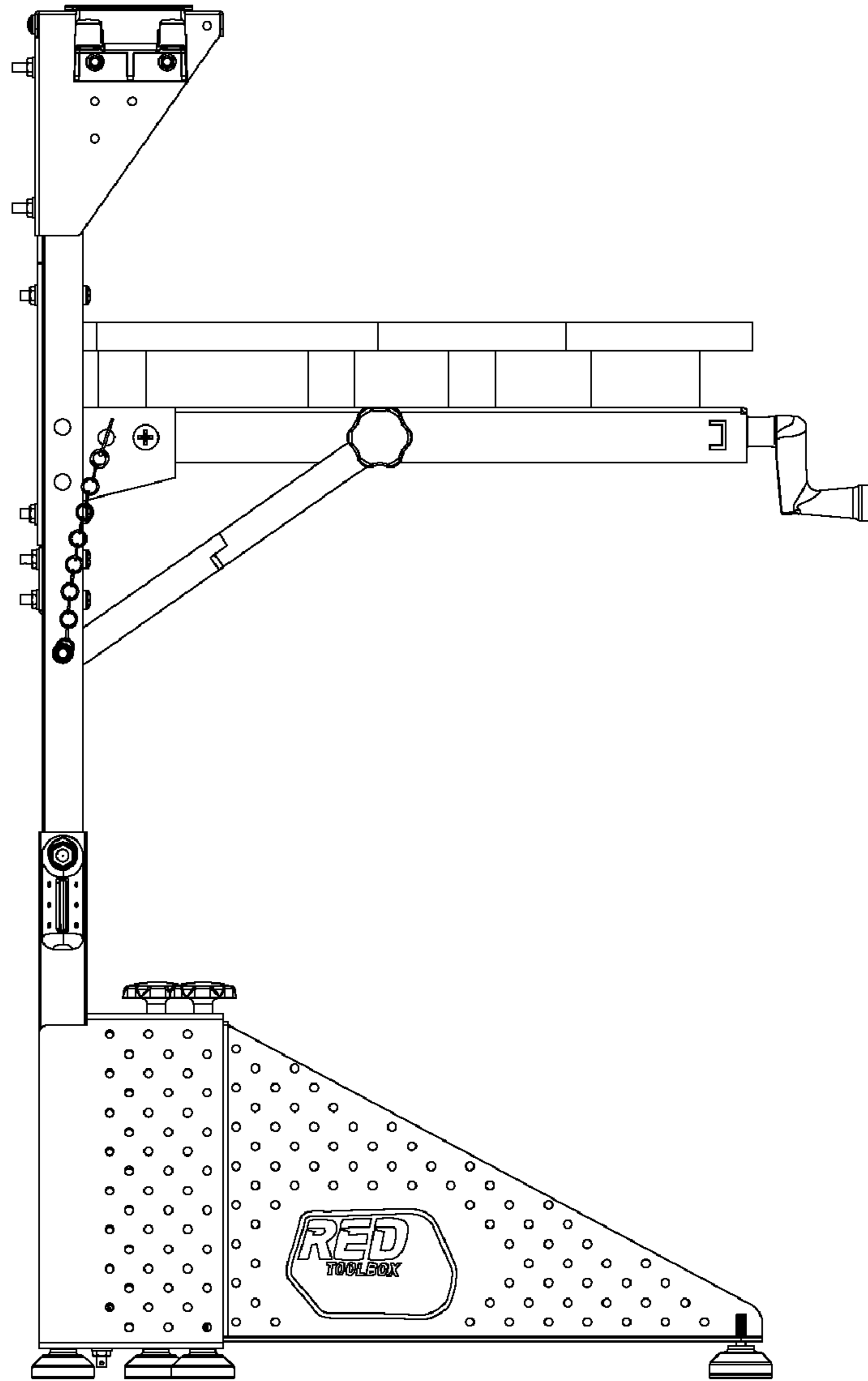


FIG 5

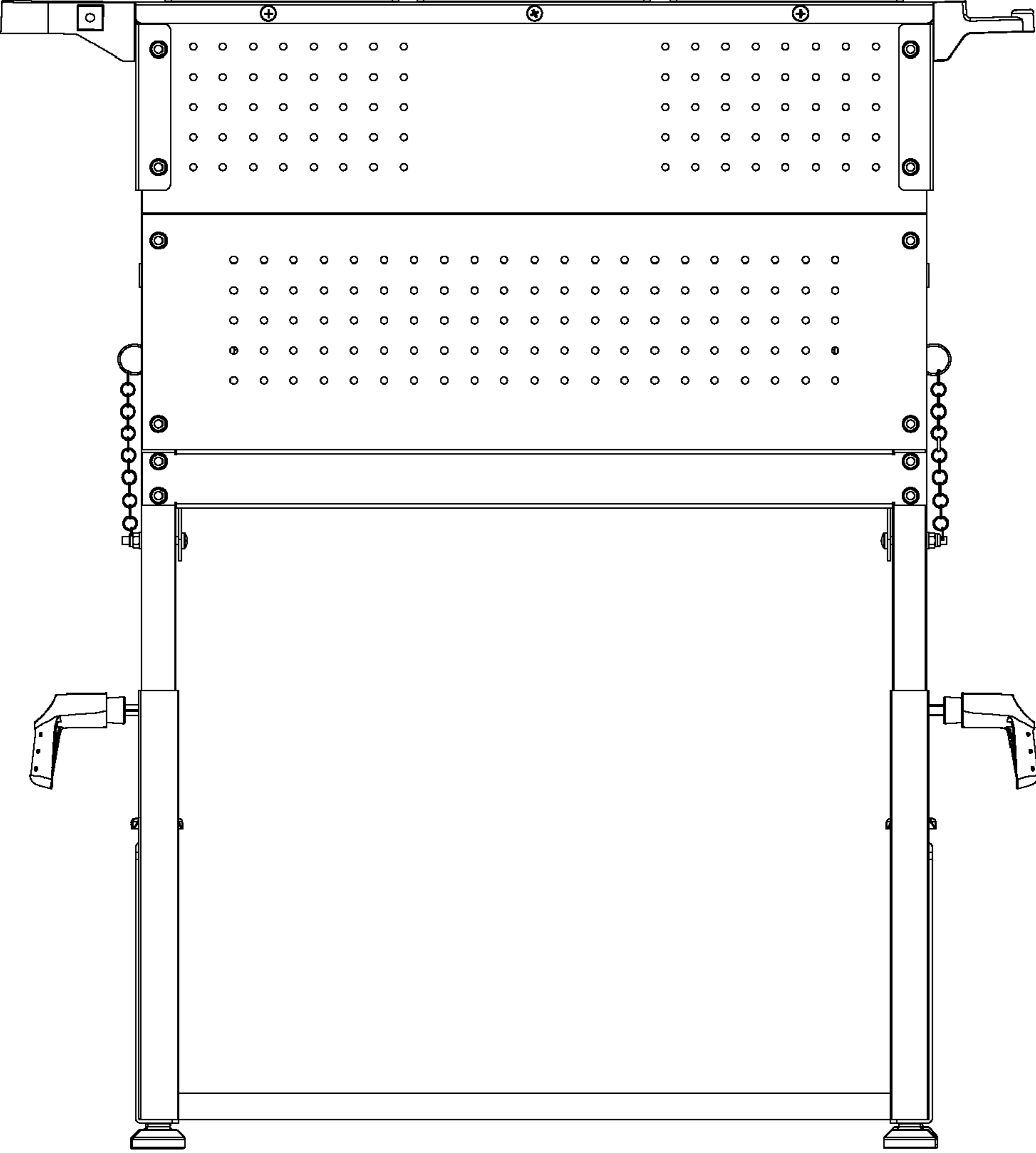


FIG 6

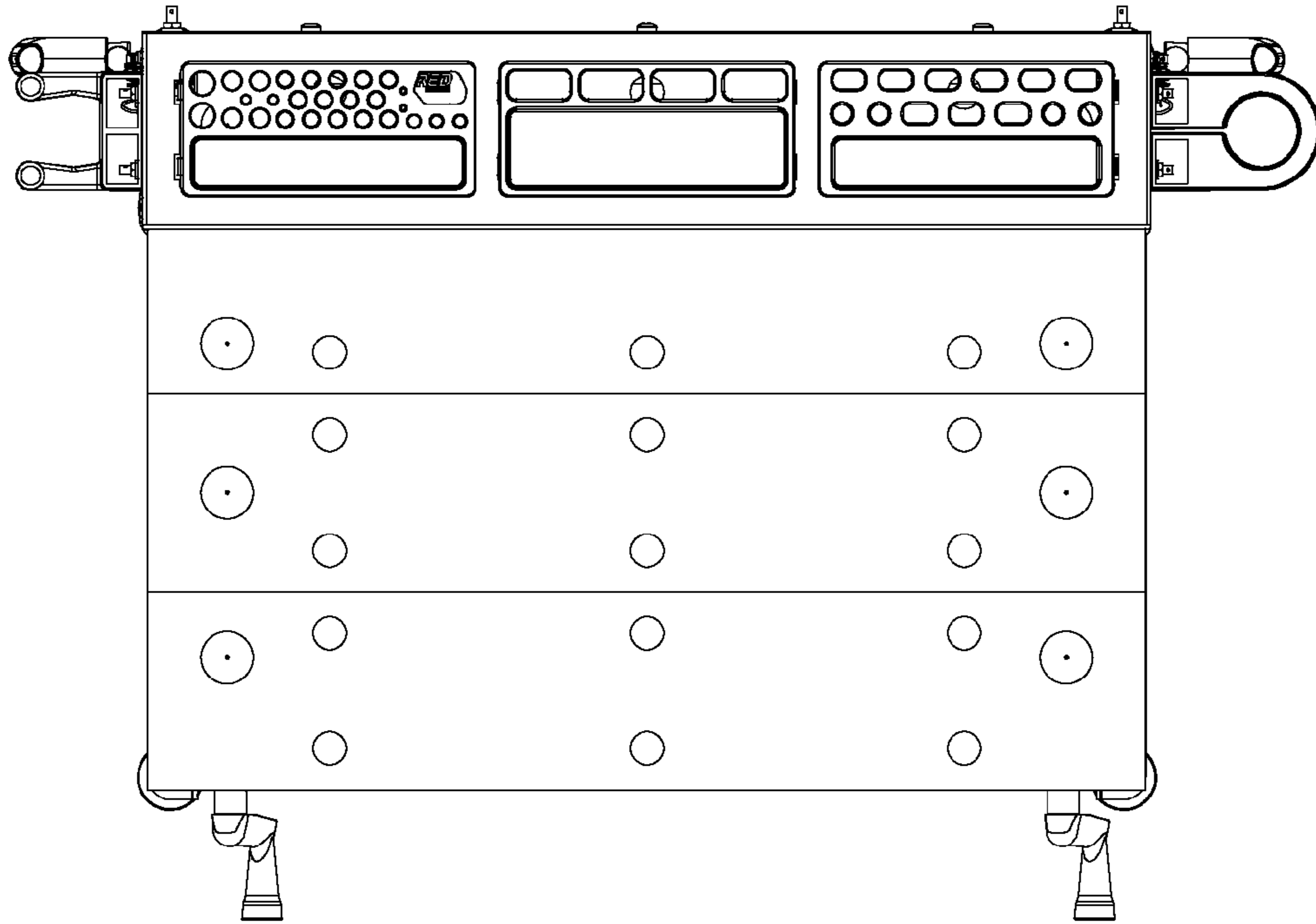


FIG 7



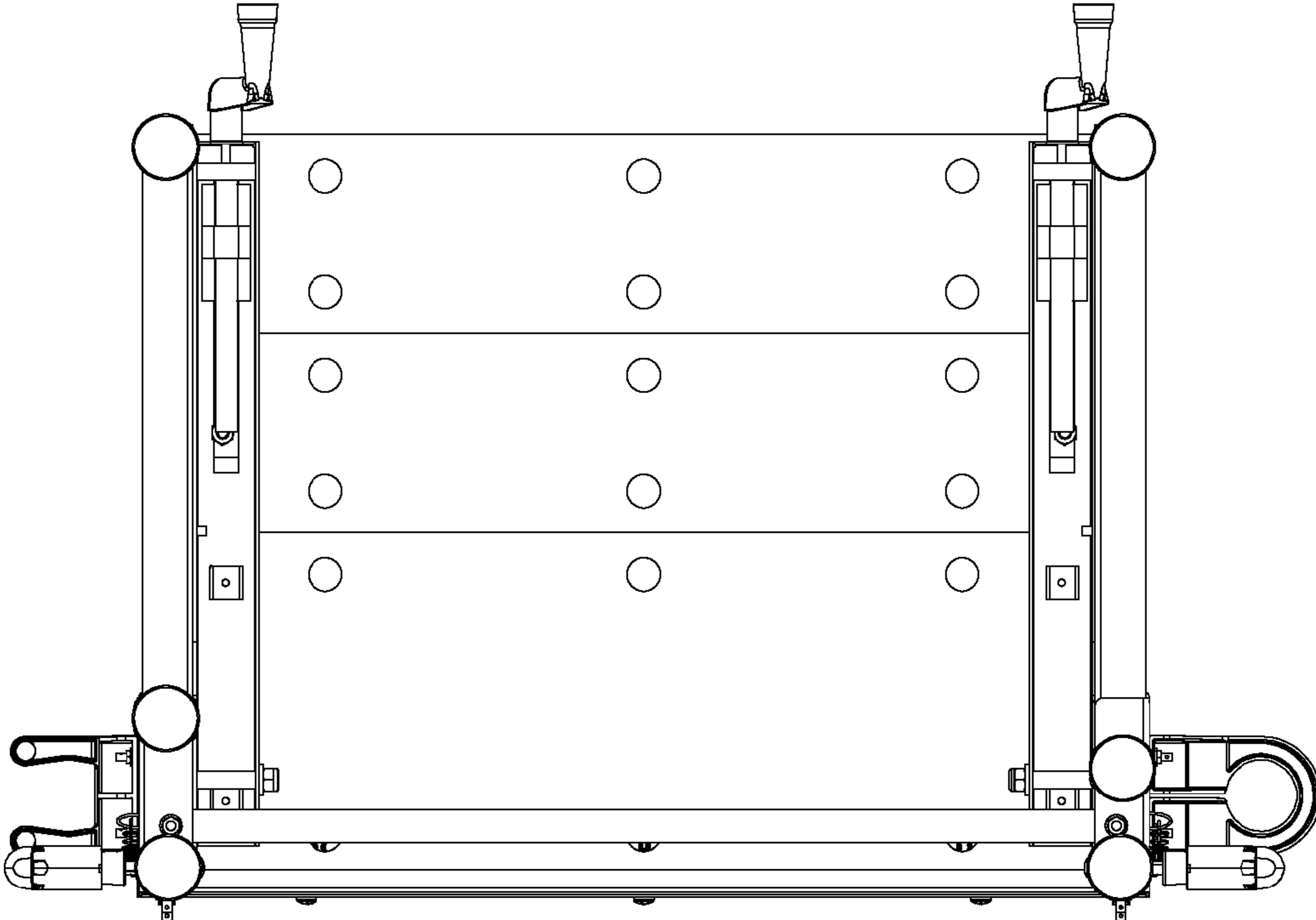


FIG 8