



US00D643226S

(12) **United States Design Patent**
Kanthasamy

(10) **Patent No.:** **US D643,226 S**

(45) **Date of Patent:** **** Aug. 16, 2011**

(54) **CONVERTIBLE SOFA WITH MULTIPLE POSITIONS**

D542,563 S * 5/2007 Ricci D6/381
D569,648 S * 5/2008 Weiss D6/381
D597,761 S * 8/2009 Natuzzi D6/381

(75) Inventor: **Abedan Kanthasamy**, Kuala Lumpur (MY)

* cited by examiner

(73) Assignee: **Lifestyle Solutions, Inc.**, Fremont, CA (US)

Primary Examiner — Sandra Snapp

(74) *Attorney, Agent, or Firm* — Winstead P.C.; Robert A. Voigt, Jr.

(**) Term: **14 Years**

(57) **CLAIM**

(21) Appl. No.: **29/366,194**

The ornamental design for a convertible sofa with multiple positions, as shown and described.

(22) Filed: **Jul. 21, 2010**

DESCRIPTION

(51) **LOC (9) Cl.** **06-01**

(52) **U.S. Cl.** **D6/381**

(58) **Field of Classification Search** D6/334,
D6/335, 337, 349, 353, 380, 381, 500–502;
5/12.1, 12.2; 297/14, 43, 44, 118, 140, 245,
297/300.1, 311, 353, 354.1, 445.1, 446.1,
297/446.2, 447.4, 465, 900, DIG. 2, DIG. 7
See application file for complete search history.

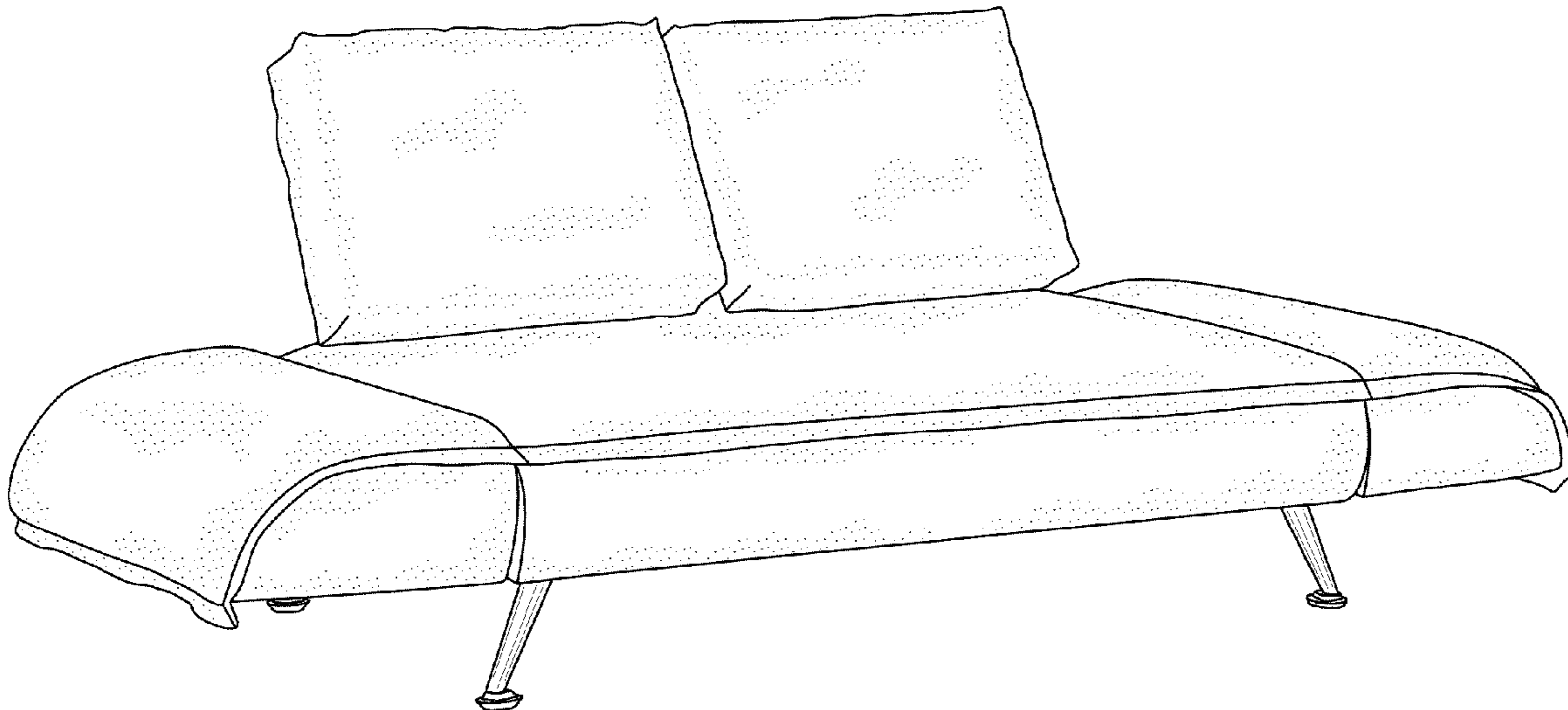
FIG. 1 is a front perspective view of the convertible sofa with multiple positions;
FIG. 2 is a front perspective view of the convertible sofa with multiple positions;
FIG. 3 is a front perspective view of the convertible sofa with multiple positions;
FIG. 4 is a top perspective view of the convertible sofa with multiple positions;
FIG. 5 is a rear perspective view of the convertible sofa with multiple positions; and,
FIG. 6 is a side perspective view of the convertible sofa with multiple positions.

(56) **References Cited**

U.S. PATENT DOCUMENTS

D444,305 S * 7/2001 Mourgue D6/335
D446,962 S * 8/2001 Mourgue D6/381
D541,070 S * 4/2007 Nicoletti D6/381

1 Claim, 5 Drawing Sheets



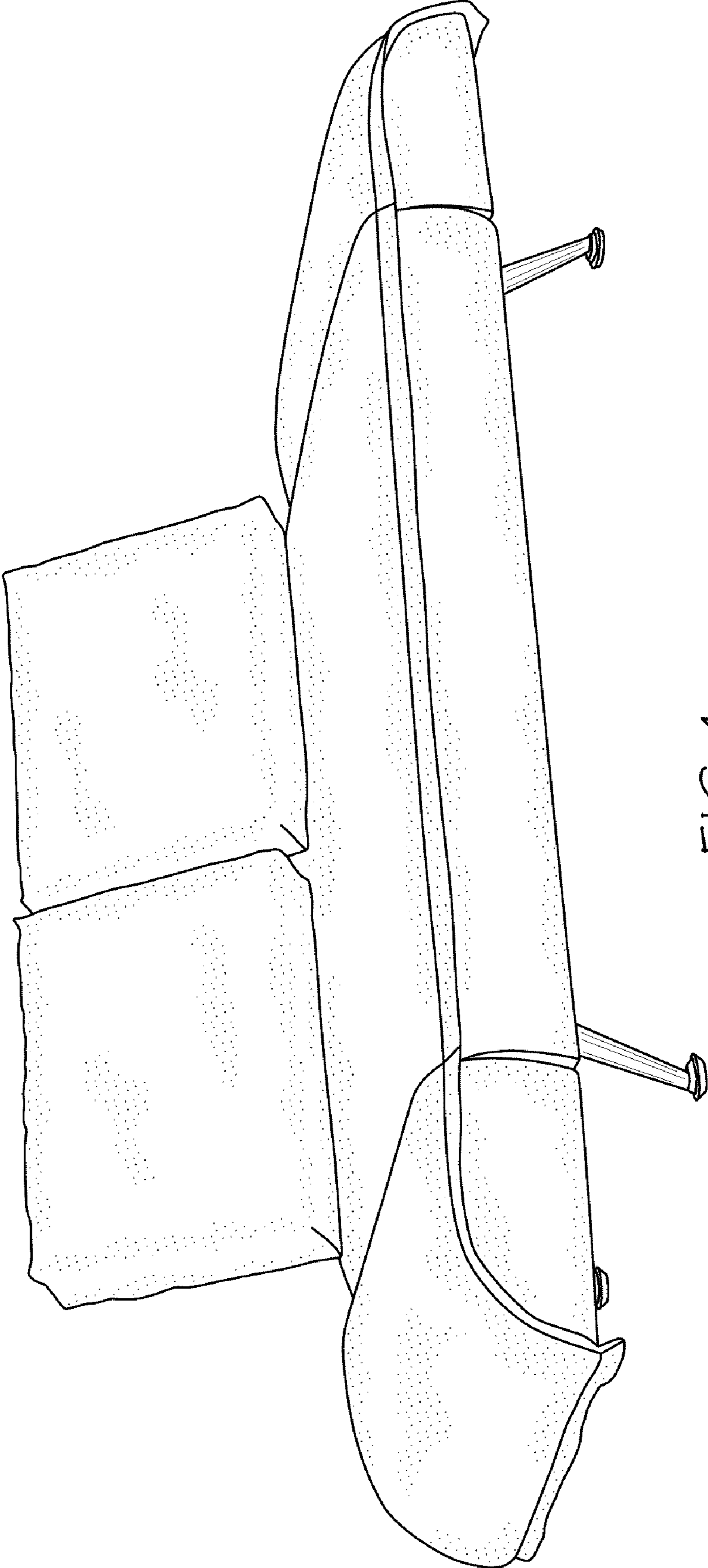


FIG. 1

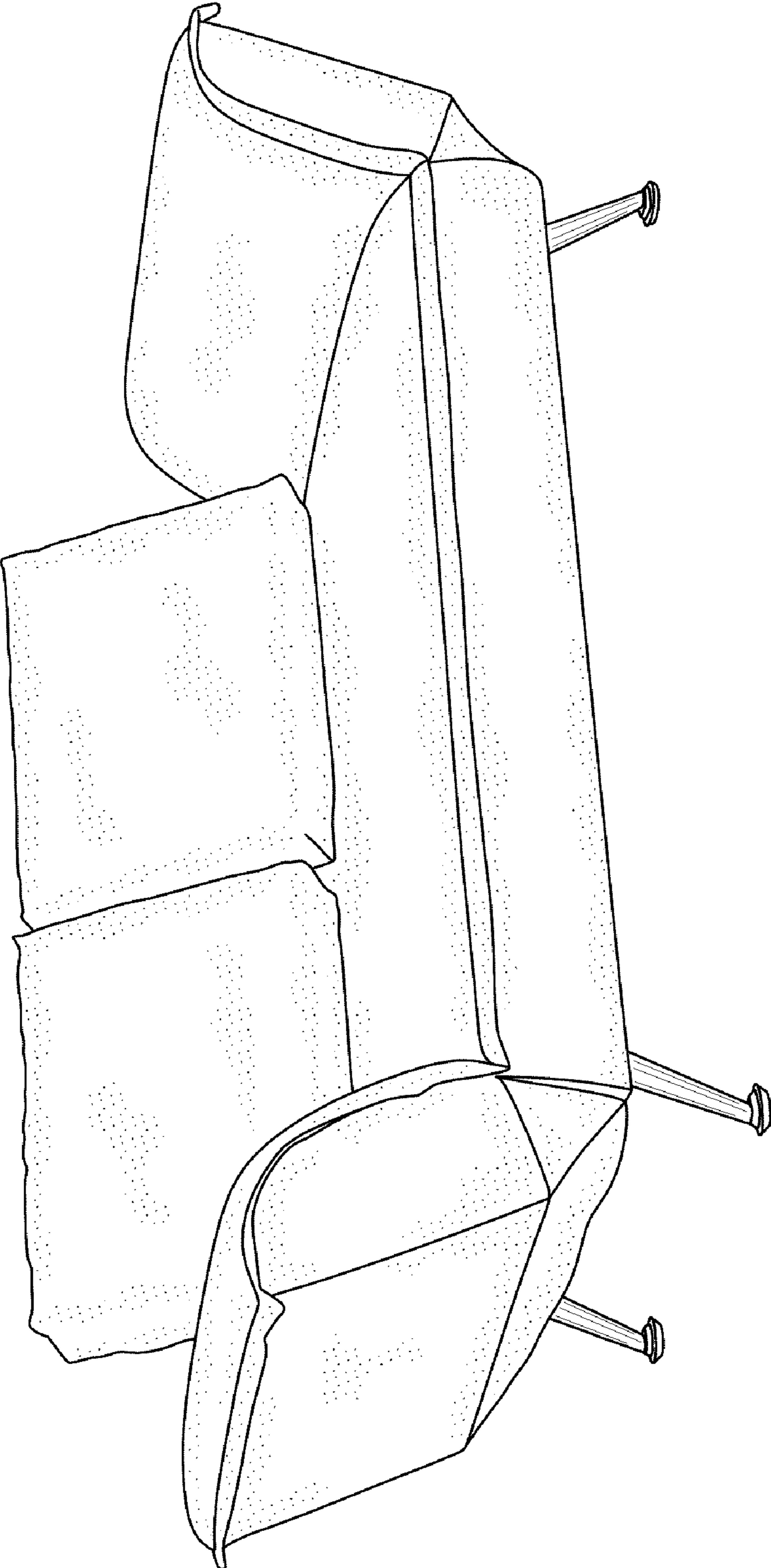


FIG. 2

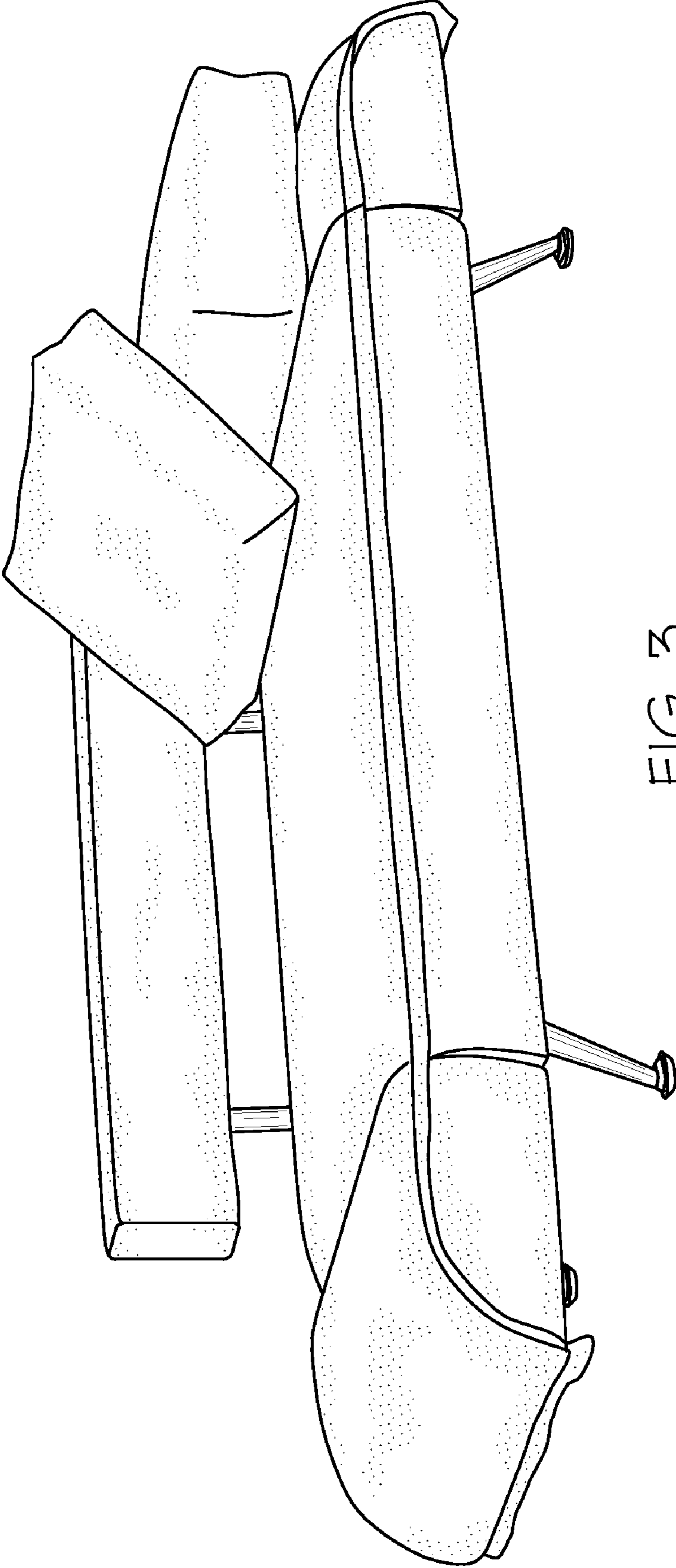


FIG. 3

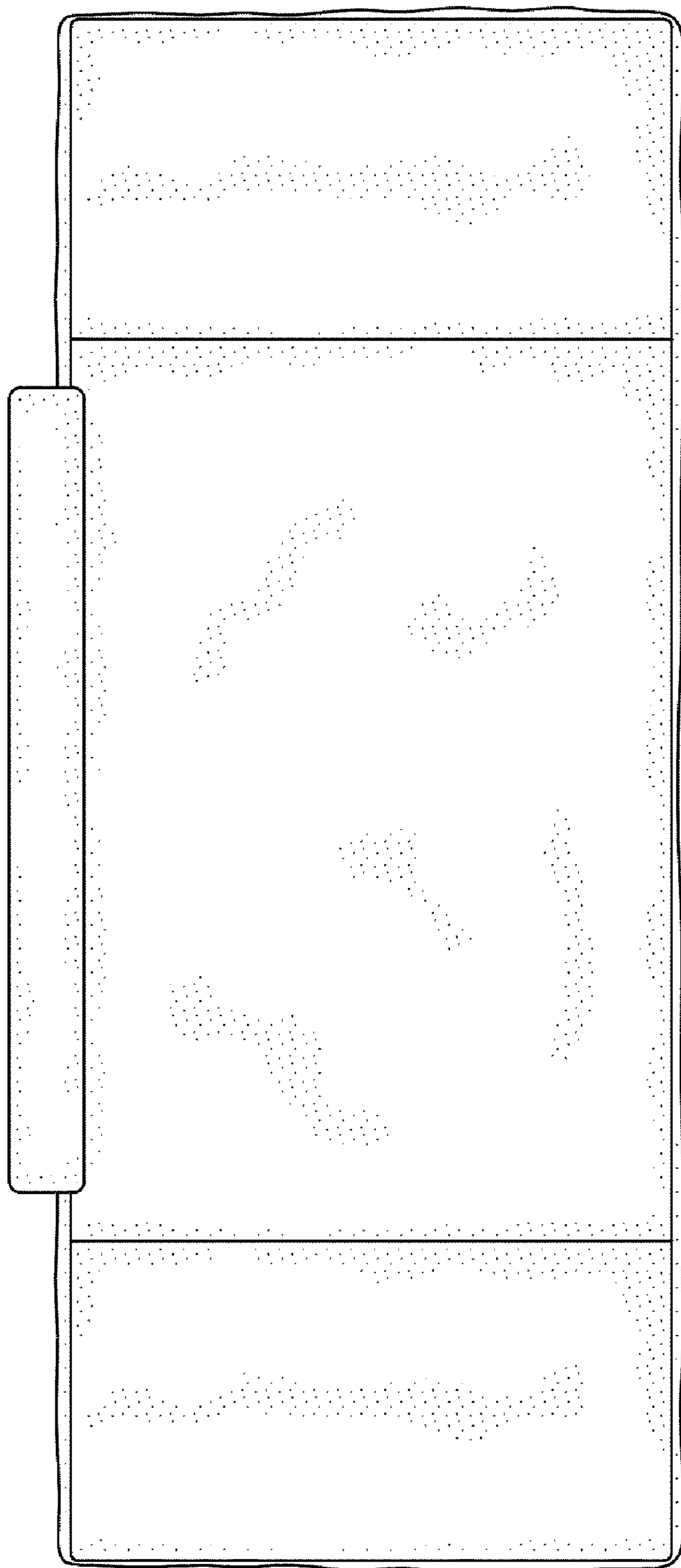


FIG. 4

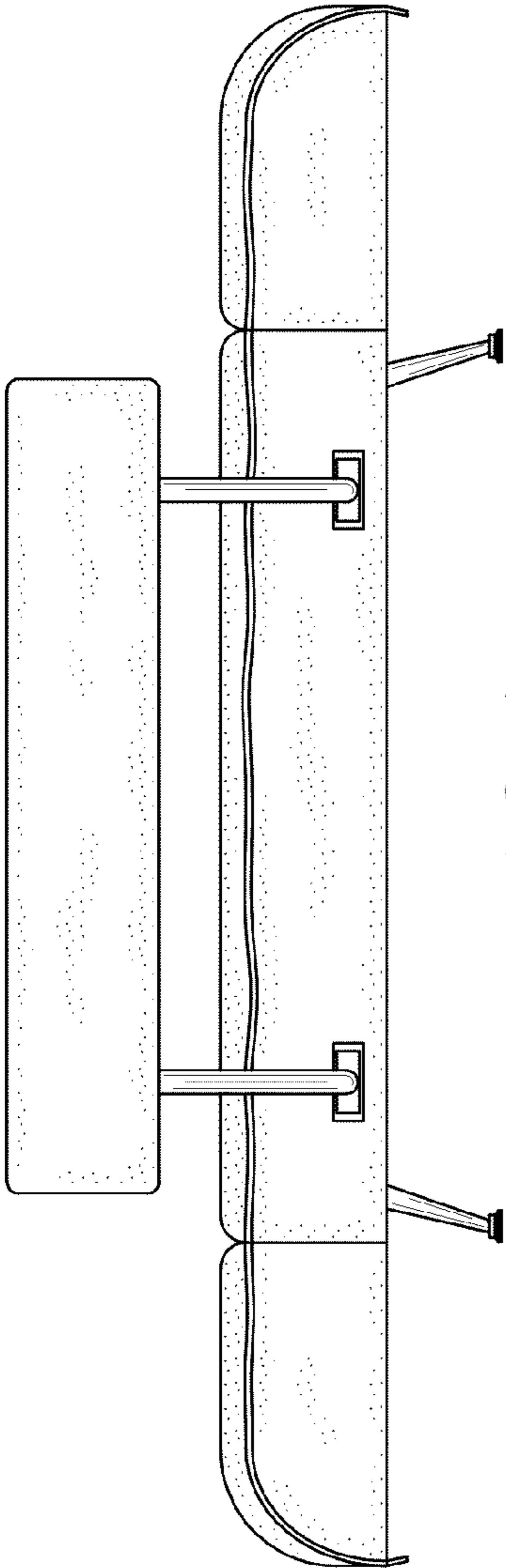


FIG. 5

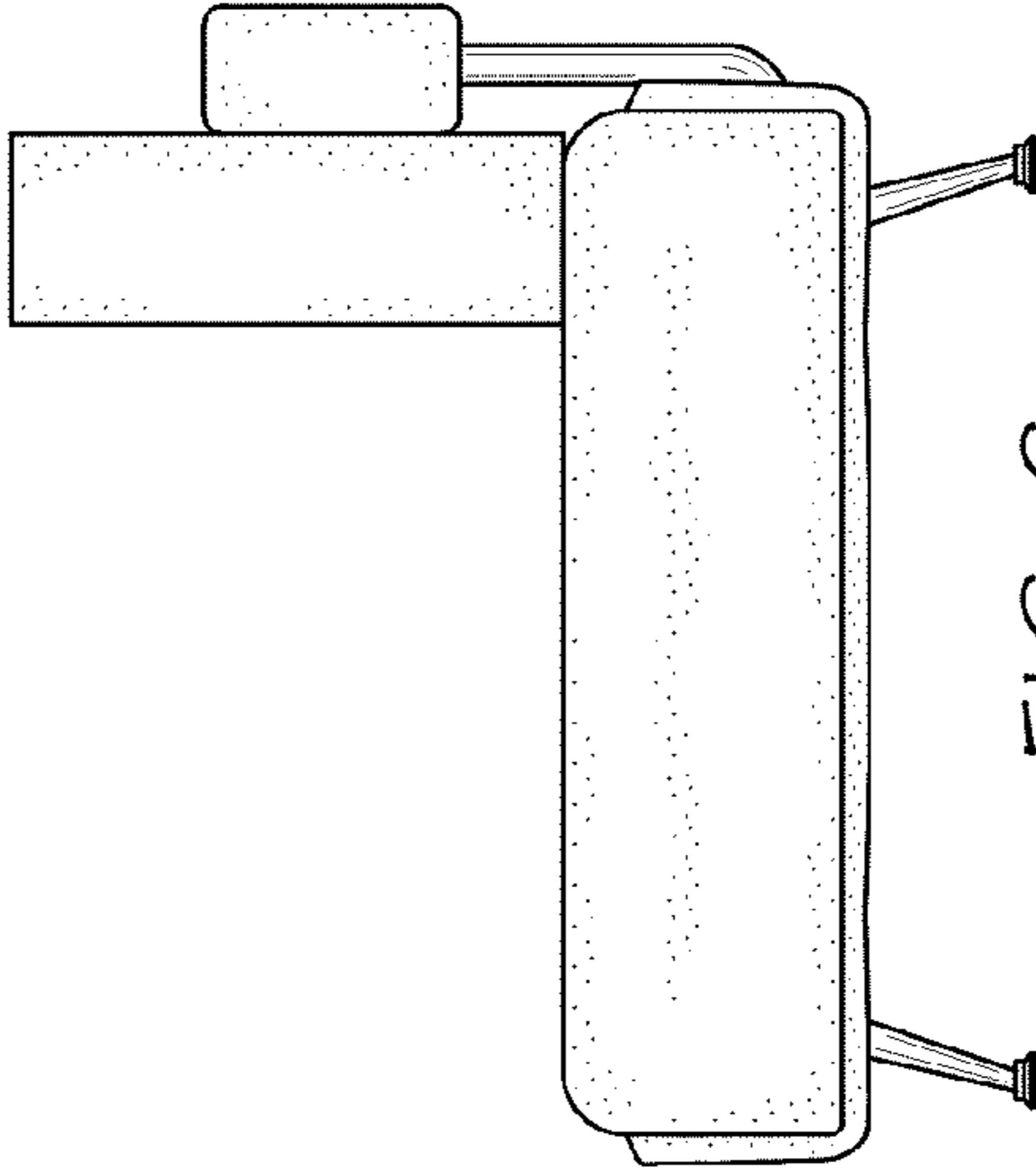


FIG. 6