



US00D643224S

(12) **United States Design Patent**
Sofield

(10) **Patent No.:** **US D643,224 S**

(45) **Date of Patent:** **** Aug. 16, 2011**

(54) **FURNITURE**

(75) Inventor: **William Sofield**, New York, NY (US)

(73) Assignee: **Baker, Knapp & Tubbs, Inc.**, Hickory, NC (US)

(**) Term: **14 Years**

(21) Appl. No.: **29/350,984**

(22) Filed: **Nov. 25, 2009**

Related U.S. Application Data

(63) Continuation of application No. 29/337,105, filed on May 14, 2009, now abandoned.

(51) **LOC (9) Cl.** **06-01**

(52) **U.S. Cl.** **D6/334**

(58) **Field of Classification Search** D6/334,
D6/335, 341, 353, 360, 364, 367, 369, 371,
D6/376, 377, 379-381, 500-502; 297/445.1,
297/446.1; 5/12.1

See application file for complete search history.

(56) **References Cited**

U.S. PATENT DOCUMENTS

3,002,787	A	*	10/1961	Ziegenfuss	297/249
D245,953	S	*	10/1977	Mathur	D6/334
D284,812	S	*	7/1986	Culler	D6/371
D286,587	S	*	11/1986	Culler	D6/334
D327,583	S	*	7/1992	Dettinger	D6/334
D336,165	S	*	6/1993	Tihany	D6/334
D337,450	S	*	7/1993	Dettinger	D6/381
D383,010	S	*	9/1997	Mourgue	D6/381
D386,909	S	*	12/1997	Mourgue	D6/334

D388,965	S	*	1/1998	Mourgue	D6/334
D430,973	S	*	9/2000	Frankel et al.	D6/334
D431,117	S	*	9/2000	Hutton	D6/334
D434,233	S	*	11/2000	Frankel et al.	D6/334
D473,723	S	*	4/2003	Pesso	D6/334
D495,518	S	*	9/2004	Ricci	D6/381
D499,265	S	*	12/2004	Ricci	D6/381
D508,786	S	*	8/2005	Natuzzi	D6/364
D509,370	S	*	9/2005	Natuzzi	D6/334
D532,617	S	*	11/2006	Frinier	D6/334
D536,541	S	*	2/2007	Kreiss	D6/334
D538,054	S	*	3/2007	Lissoni	D6/334
D539,551	S	*	4/2007	Ovesen	D6/334
D546,570	S	*	7/2007	Kreiss et al.	D6/334
D549,470	S	*	8/2007	Hutton et al.	D6/334
D554,387	S	*	11/2007	Nicoletti	D6/381
D564,774	S	*	3/2008	Woods et al.	D6/381
D596,414	S	*	7/2009	Natuzzi	D6/334

* cited by examiner

Primary Examiner — Sandra Snapp

(74) *Attorney, Agent, or Firm* — Merchant & Gould PC

(57) **CLAIM**

The ornamental design for furniture, as shown and described.

DESCRIPTION

FIG. 1 is a front perspective view of a first embodiment of furniture showing my new design;

FIG. 2 is a rear perspective view thereof;

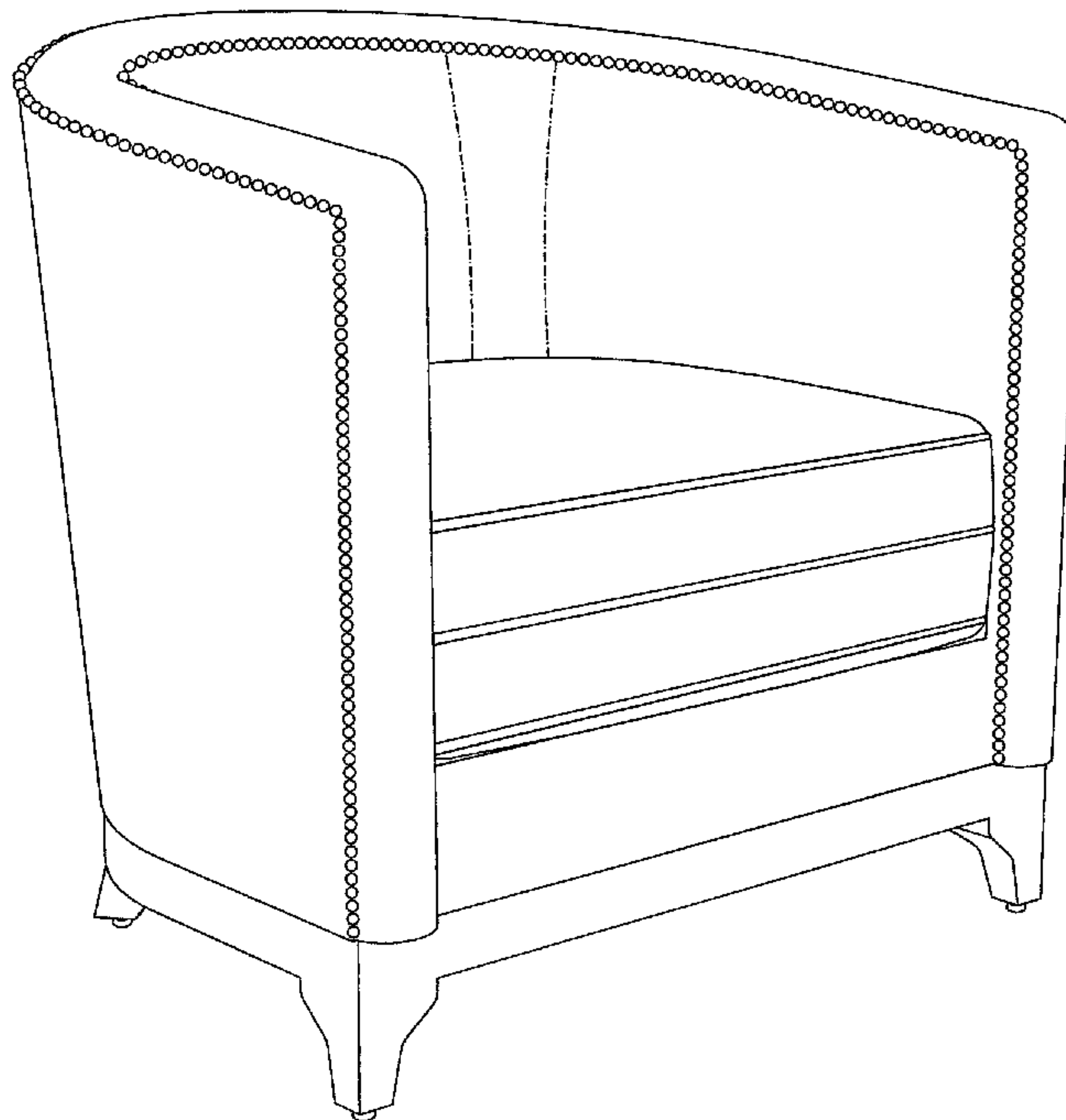
FIG. 3 is a front elevational view thereof;

FIG. 4 is a rear elevational view thereof;

FIG. 5 is a right side elevational view thereof, a left side elevational view being a mirror image thereof; and,

FIG. 6 is a top plan view thereof.

1 Claim, 6 Drawing Sheets



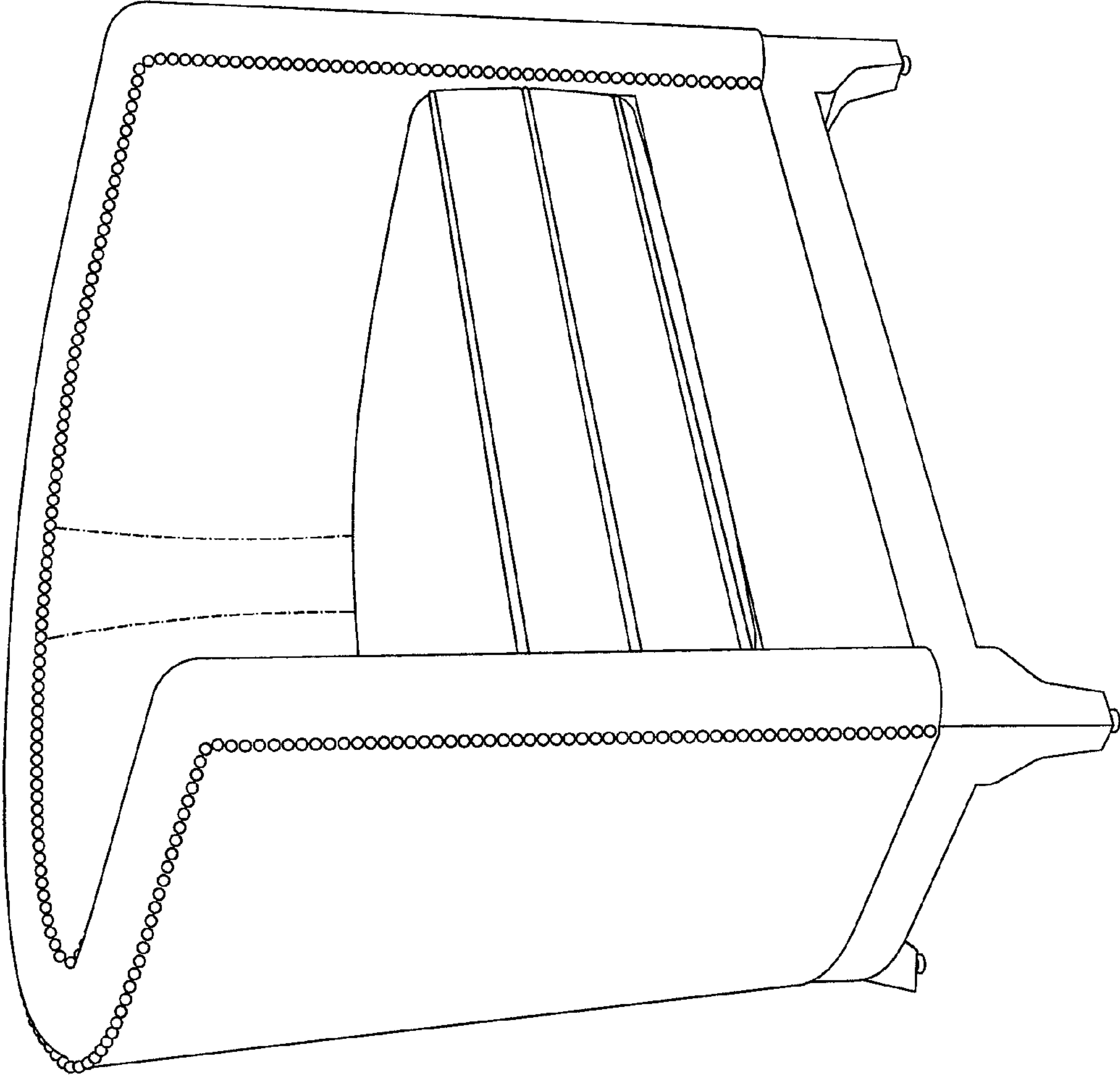


FIG. 1

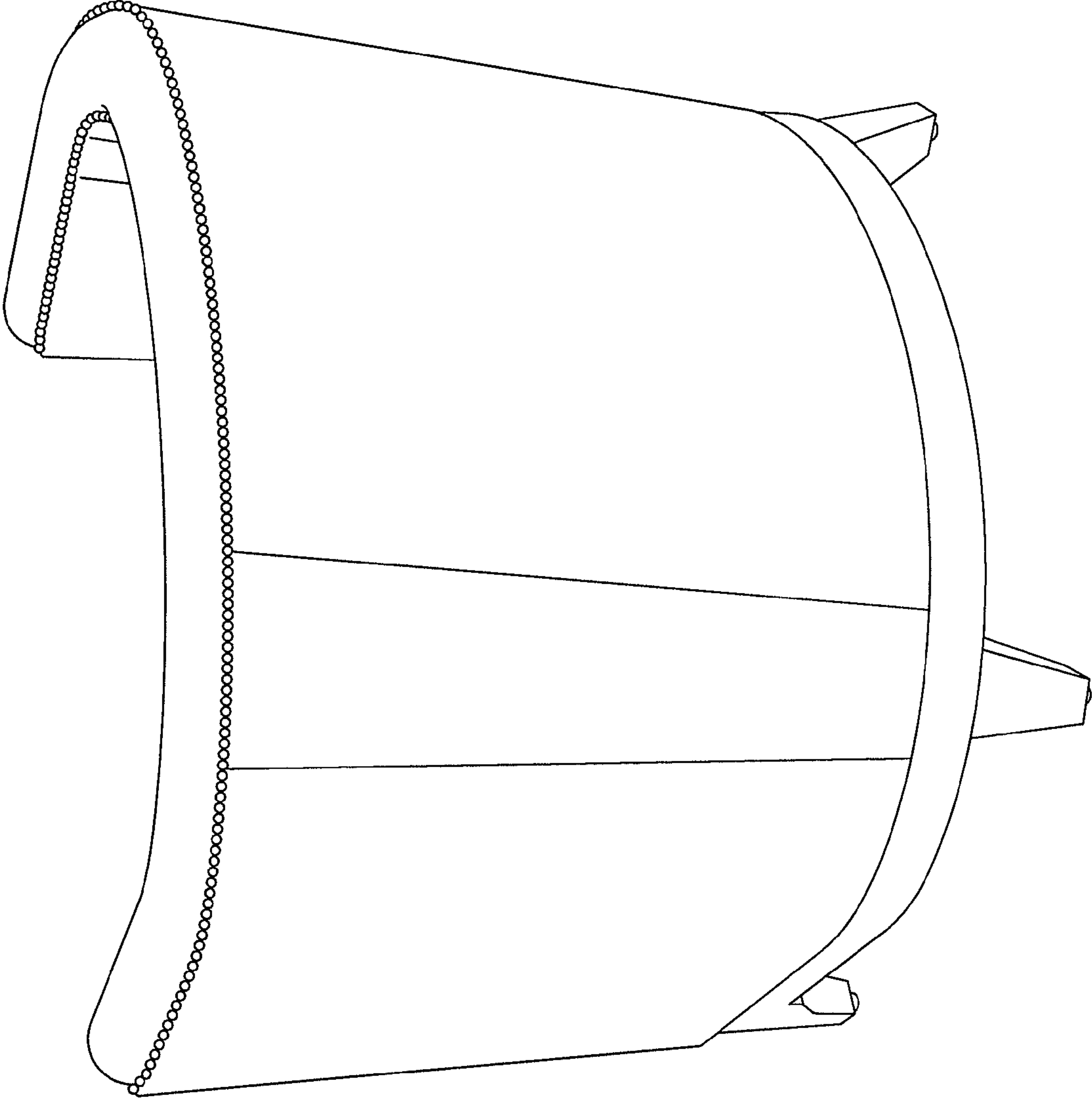


FIG. 2

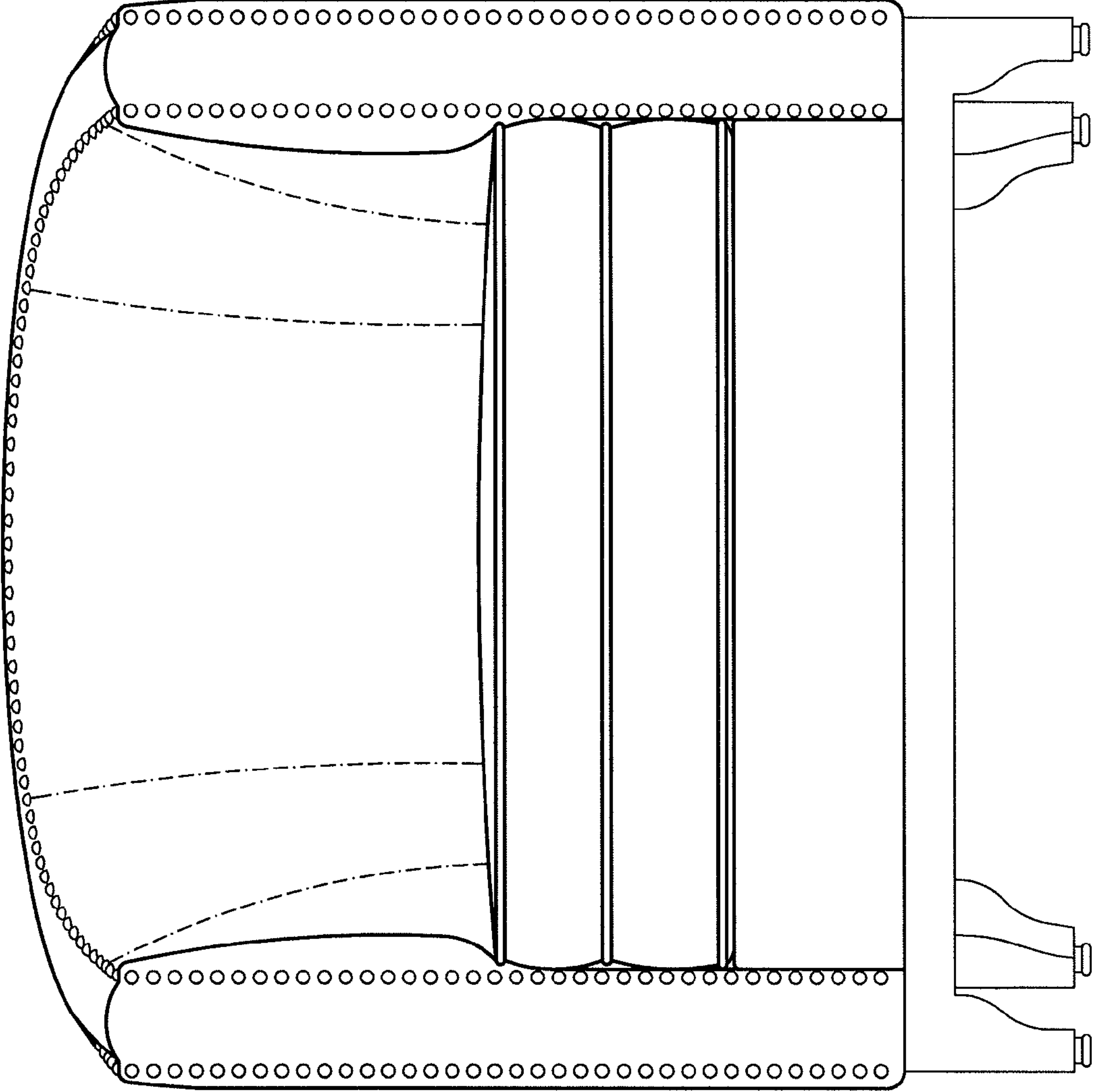


FIG. 3

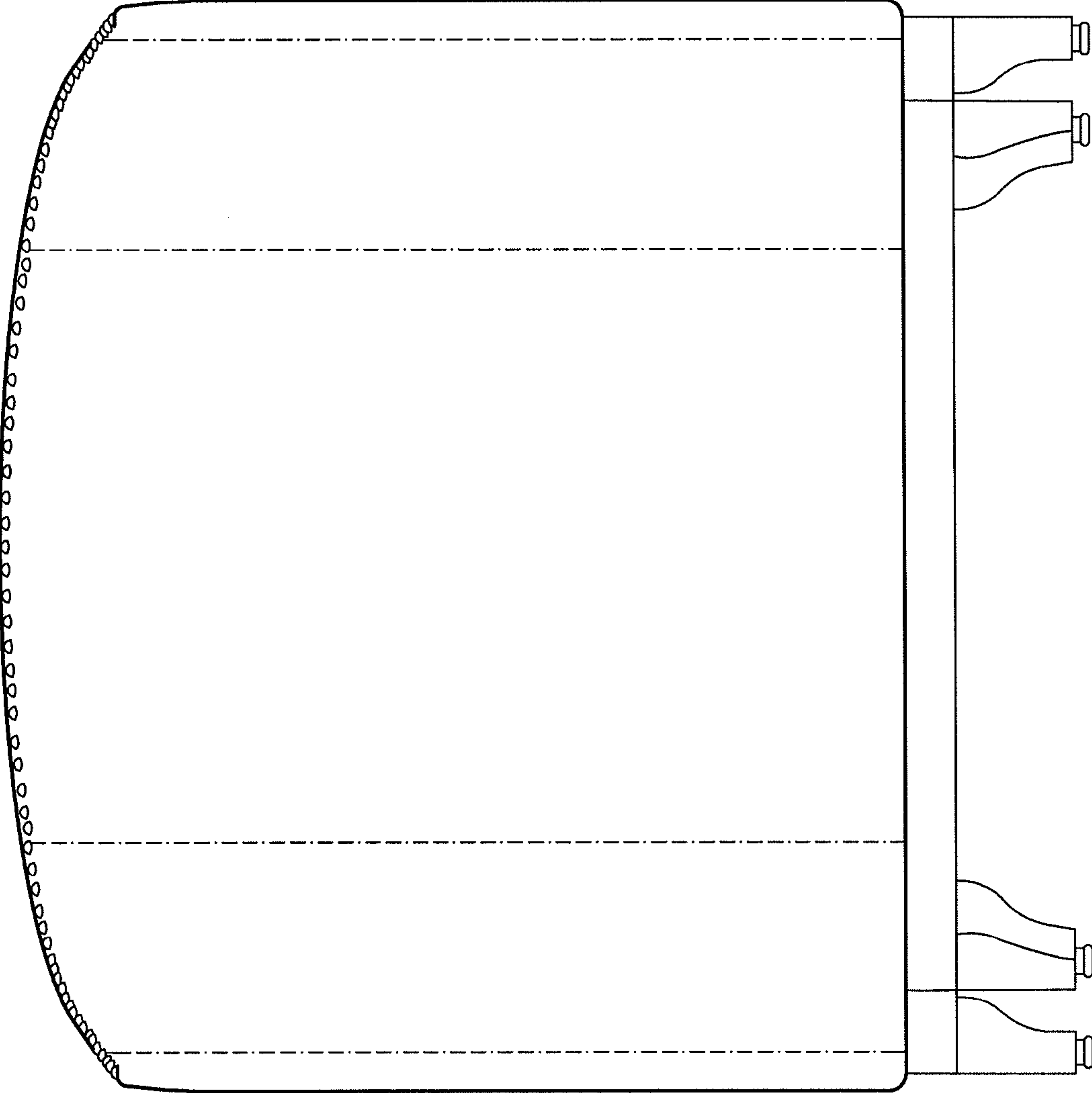


FIG. 4

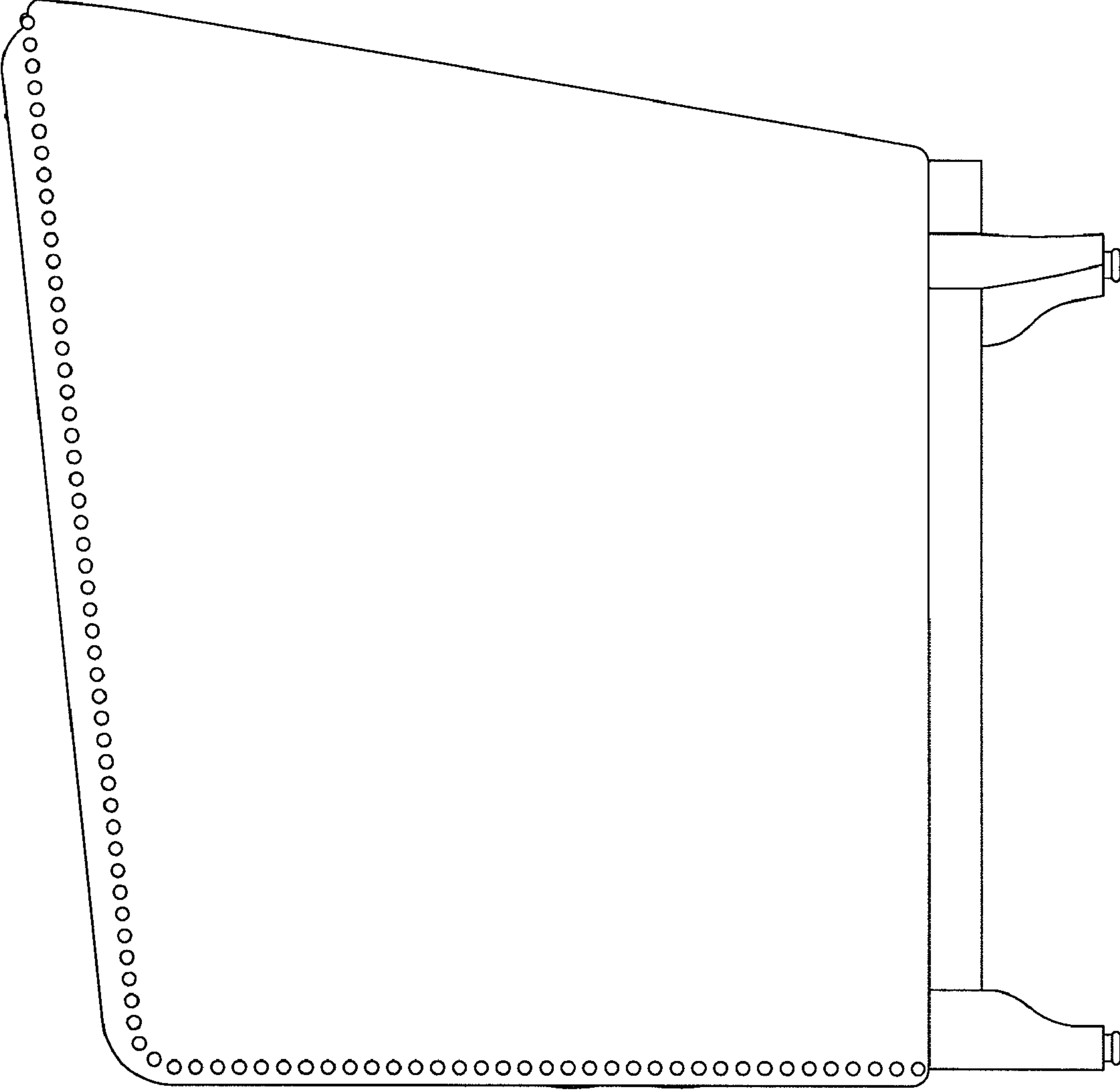


FIG. 5

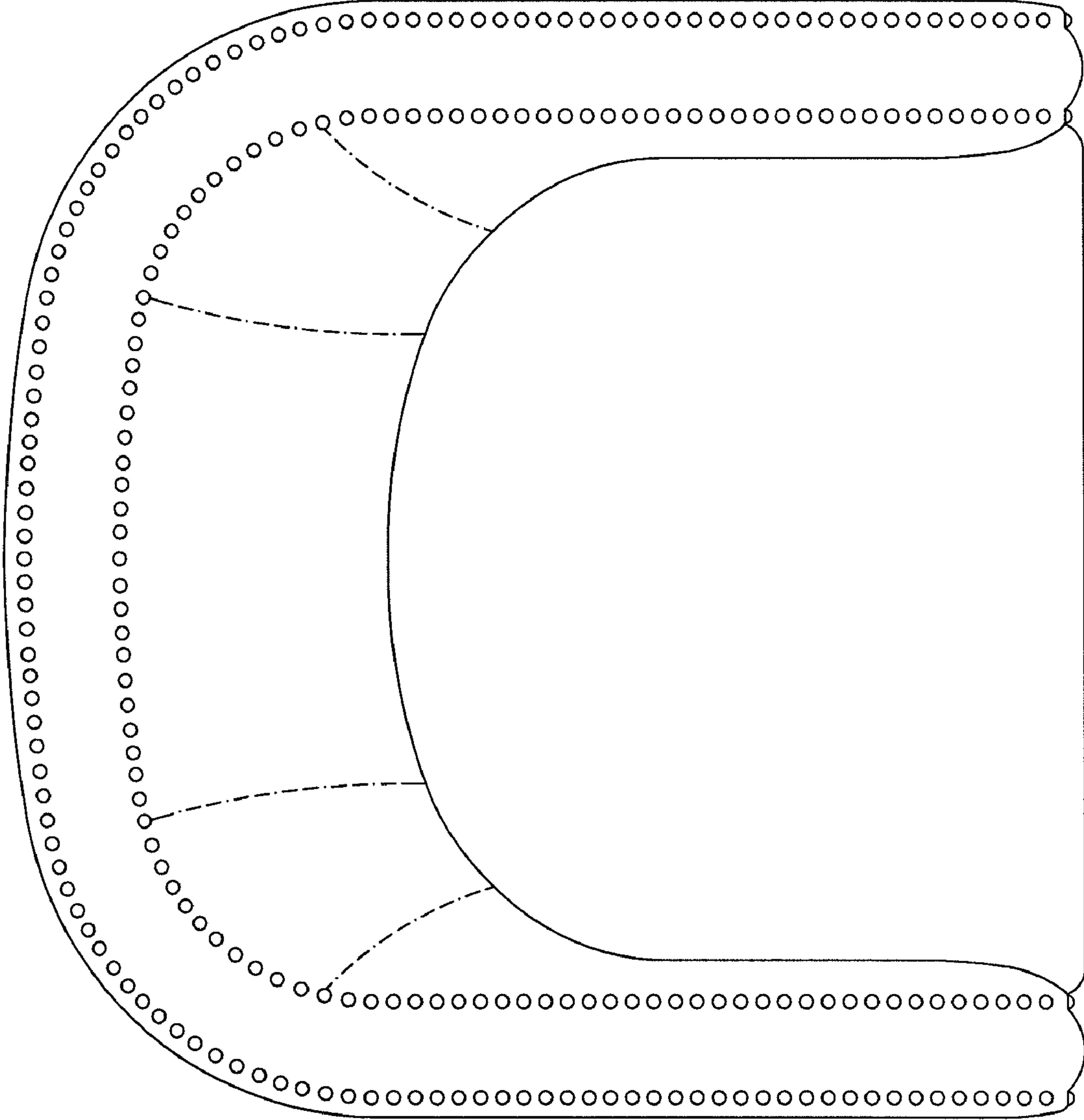


FIG. 6