



US00D643220S

(12) **United States Design Patent**
Berger et al.

(10) **Patent No.:** **US D643,220 S**

(45) **Date of Patent:** **** Aug. 16, 2011**

(54) **RADIAL BRISTLE PET GROOMING BRUSH**

6,199,241 B1 * 3/2001 Anumah 15/160
D446,654 S * 8/2001 Berni D4/130
D524,550 S * 7/2006 Nagoya D4/132

(76) Inventors: **Linda S. Berger**, Boca Raton, FL (US);
William J. Berger, Boca Raton, FL (US)

(**) Term: **14 Years**

(21) Appl. No.: **29/356,299**

(22) Filed: **Feb. 23, 2010**

(51) **LOC (9) Cl.** **04-01**

(52) **U.S. Cl.** **D4/119; D4/135**

(58) **Field of Classification Search** D4/119,
D4/132, 135, 138; 15/106, 159.1, 160, 171,
15/186-188, 191.1, 192, 193; 119/600, 612,
119/615, 652, 664

See application file for complete search history.

(56) **References Cited**

U.S. PATENT DOCUMENTS

124,023	A *	2/1872	Walker	15/106
630,261	A *	8/1899	McLane	114/222
1,749,733	A *	3/1930	Cave et al.	15/160
2,823,400	A *	2/1958	Abdo	401/23
2,935,754	A *	5/1960	Abdo et al.	401/22
D269,649	S *	7/1983	Jones et al.	D4/135
6,148,466	A *	11/2000	Smitelli et al.	15/160
D439,054	S *	3/2001	Schloesser	D4/130

OTHER PUBLICATIONS

Vat Scrubbing Brush, The Milwaukee Brush Manufacturing Co.,
Catalog No. 36-R-7, Jul. 1949, p. 47.*
Tank and Kettle Brush—No. 358B, Sparta Brush Co., Inc., Catalog
No. 300, Feb. 1978, p. 4.*

* cited by examiner

Primary Examiner — Melanie H Tung

Assistant Examiner — Lavone D Tabor

(74) *Attorney, Agent, or Firm* — McHale & Slavin, P.A.

(57) **CLAIM**

The ornamental design for a radial bristle pet grooming brush,
as shown and described.

DESCRIPTION

FIG. 1 is a front view of the radial bristle pet grooming brush
of the instant invention;

FIG. 2 is a rear view thereof;

FIG. 3 is a right side view thereof;

FIG. 4 is a left side view thereof;

FIG. 5 is a bottom view thereof; and,

FIG. 6 is a top view thereof.

The portions of the Figures illustrated in broken lines are for
illustrative purposes only and form no part of the claimed
design.

1 Claim, 5 Drawing Sheets

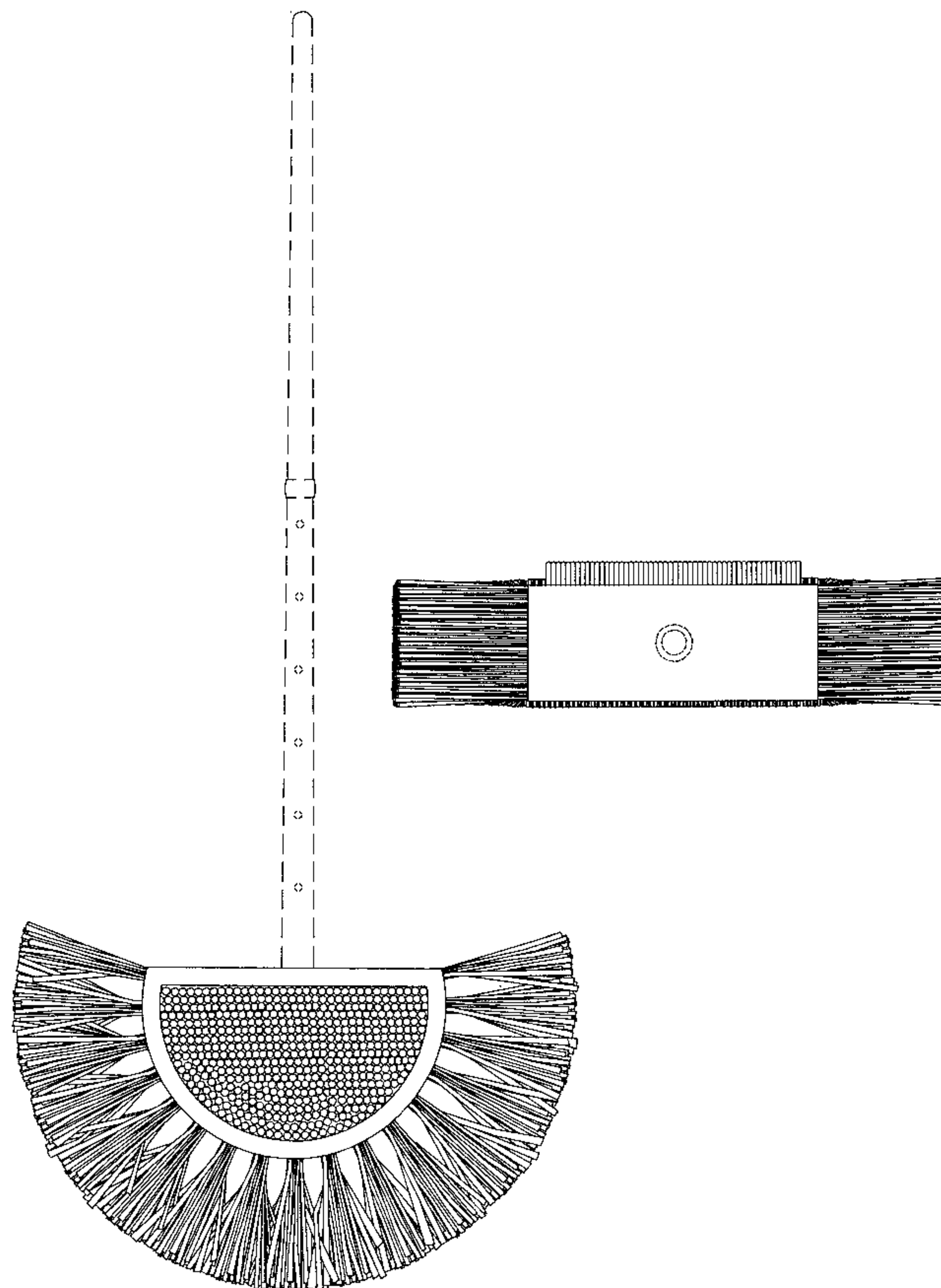


FIG. 1

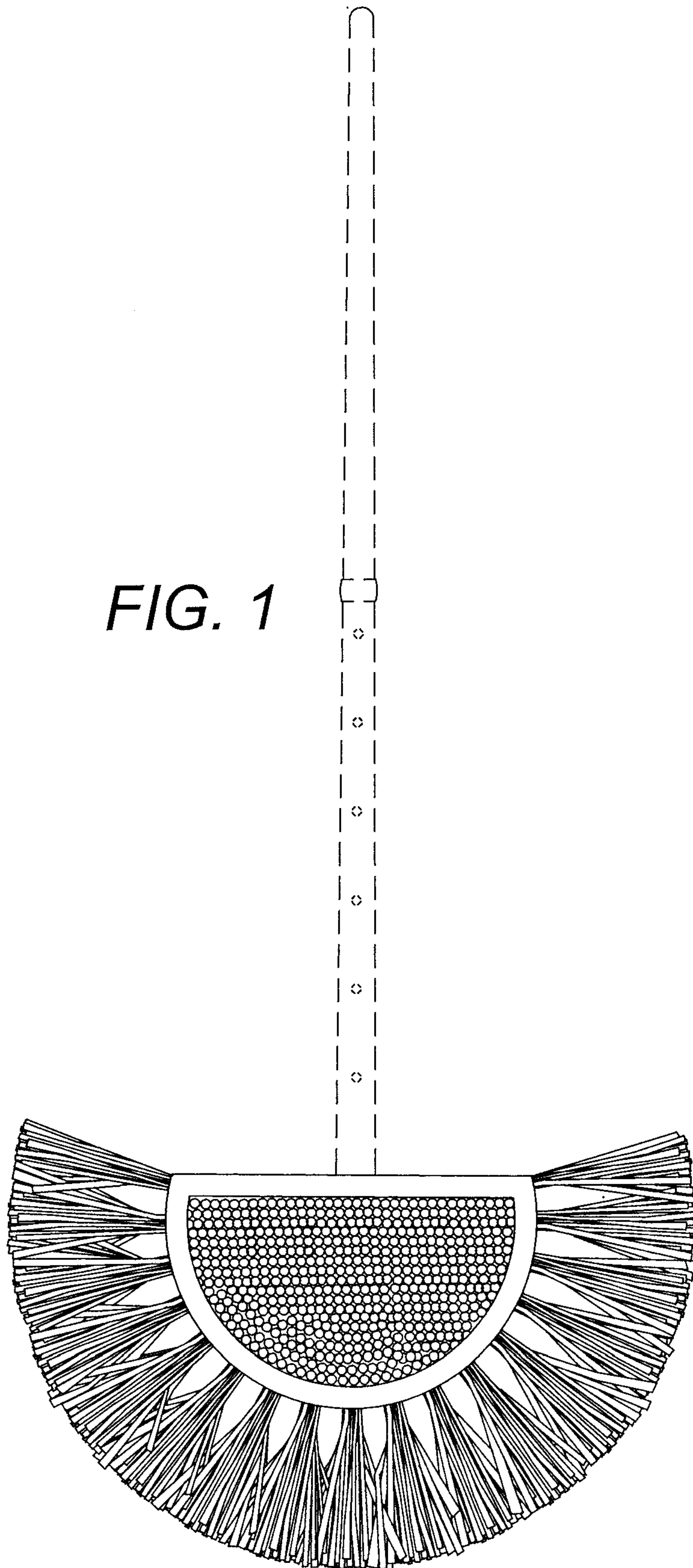


FIG. 2

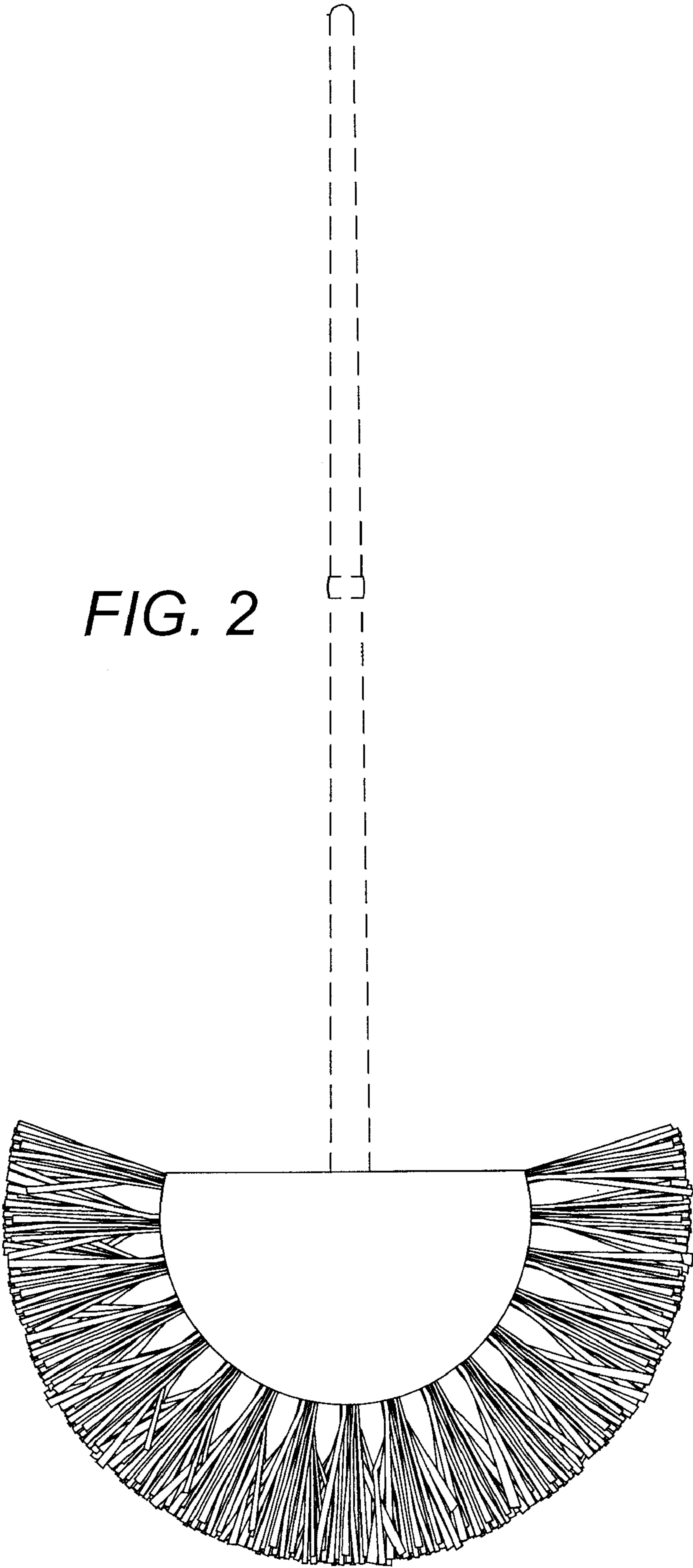


FIG. 3

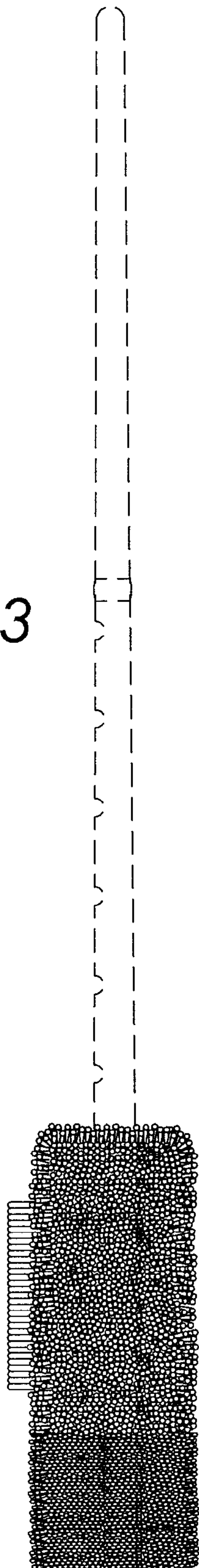
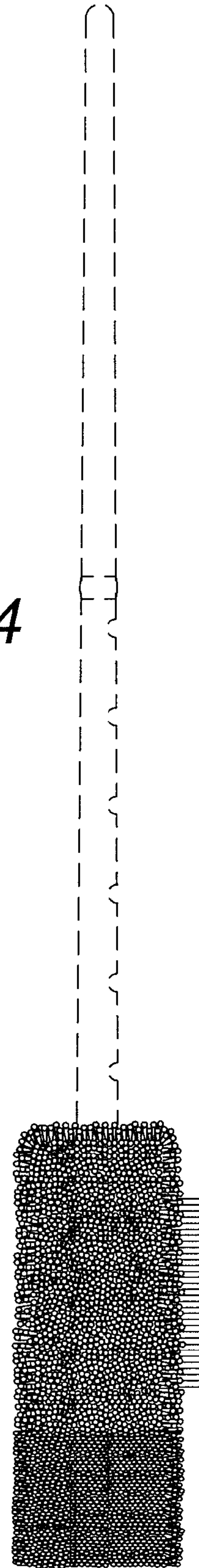


FIG. 4



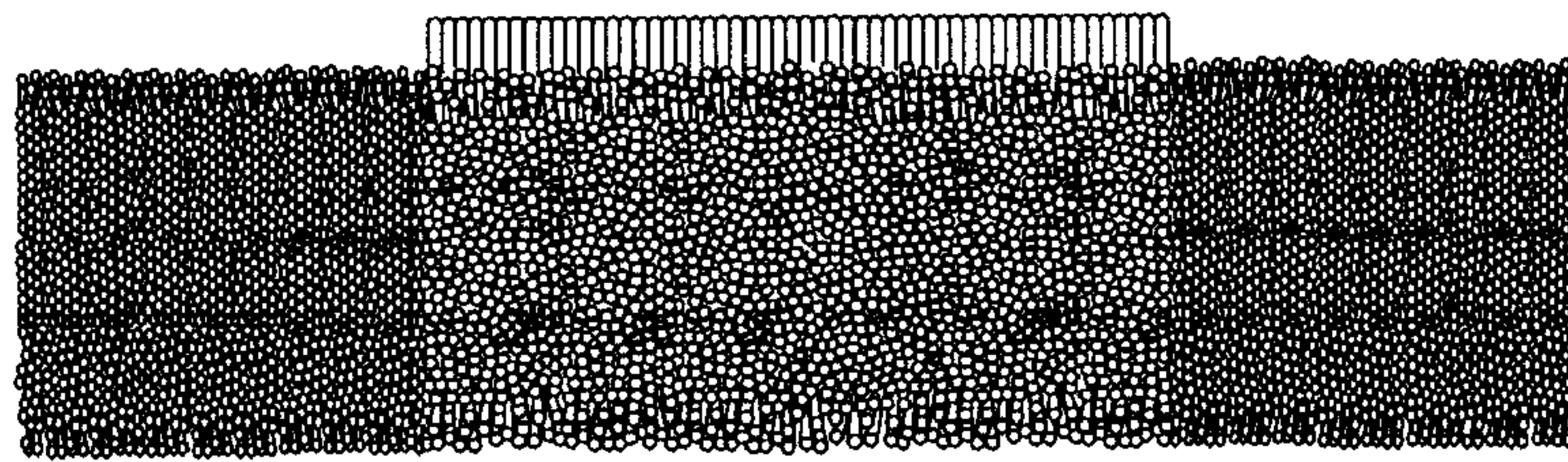


FIG. 5

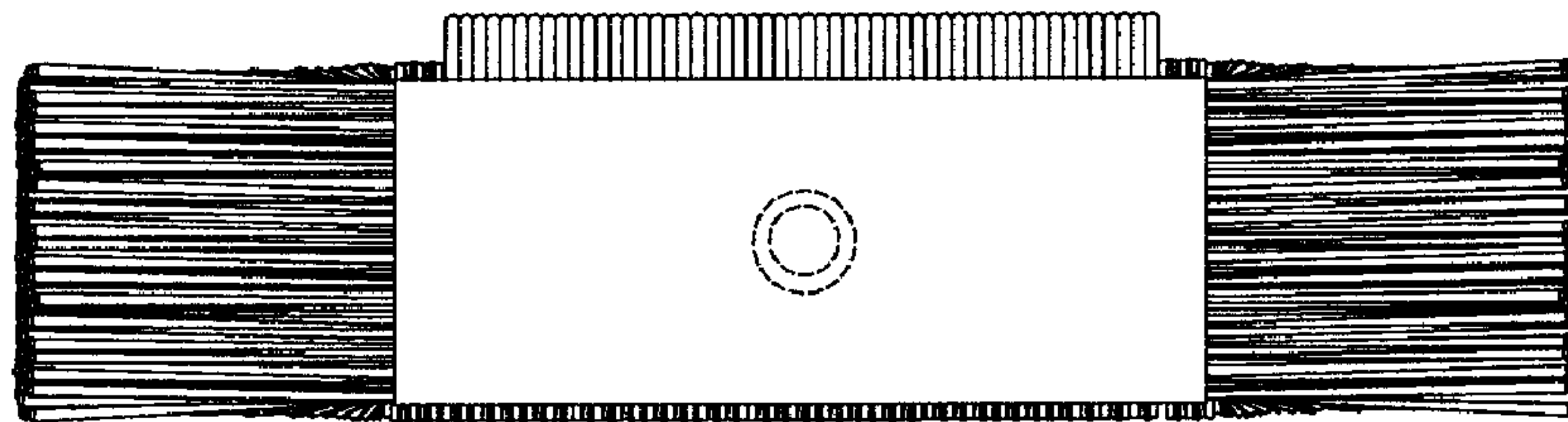


FIG. 6