



US00D643218S

(12) **United States Design Patent**
Wagner

(10) **Patent No.:** **US D643,218 S**

(45) **Date of Patent:** **** Aug. 16, 2011**

(54) **DUAL HEAD BATTERY TOOTHBRUSH WITH
PROPHY CUP**

(76) Inventor: **Eugene Carl Wagner**, Pacific Palisades,
CA (US)

(**) Term: **14 Years**

(21) Appl. No.: **29/372,426**

(22) Filed: **Nov. 18, 2010**

(51) **LOC (9) Cl.** **04-02**

(52) **U.S. Cl.** **D4/101**

(58) **Field of Classification Search** D4/101,
D4/104-112; D24/152; 15/110, 167.1, 167.2;
132/308-311

See application file for complete search history.

(56) **References Cited**

U.S. PATENT DOCUMENTS

D476,486	S	*	7/2003	Whitney et al.	D4/101
7,213,288	B2	*	5/2007	Hohlbein	15/22.1
D561,475	S	*	2/2008	Wang et al.	D4/101
D563,106	S	*	3/2008	Chan et al.	D4/101
D612,611	S	*	3/2010	Brown et al.	D4/101
7,877,833	B2	*	2/2011	Gavney, Jr.	15/29
2006/0064827	A1	*	3/2006	Chan	15/22.1
2006/0240380	A1	*	10/2006	Chenvainu et al.	433/80

FOREIGN PATENT DOCUMENTS

JP D1212363 S * 7/2004

* cited by examiner

Primary Examiner — Melanie H Tung

Assistant Examiner — Lavone D Tabor

(57) **CLAIM**

The ornamental design for a dual head battery toothbrush with prophy cup, as shown and described.

DESCRIPTION

FIG. 1 is a top perspective view of a dual head battery toothbrush with prophy cup showing my new design;

FIG. 2 is a top plan view thereof;

FIG. 3 is a bottom plan view thereof;

FIG. 4 is a left side elevation view thereof, the right side being a mirror image;

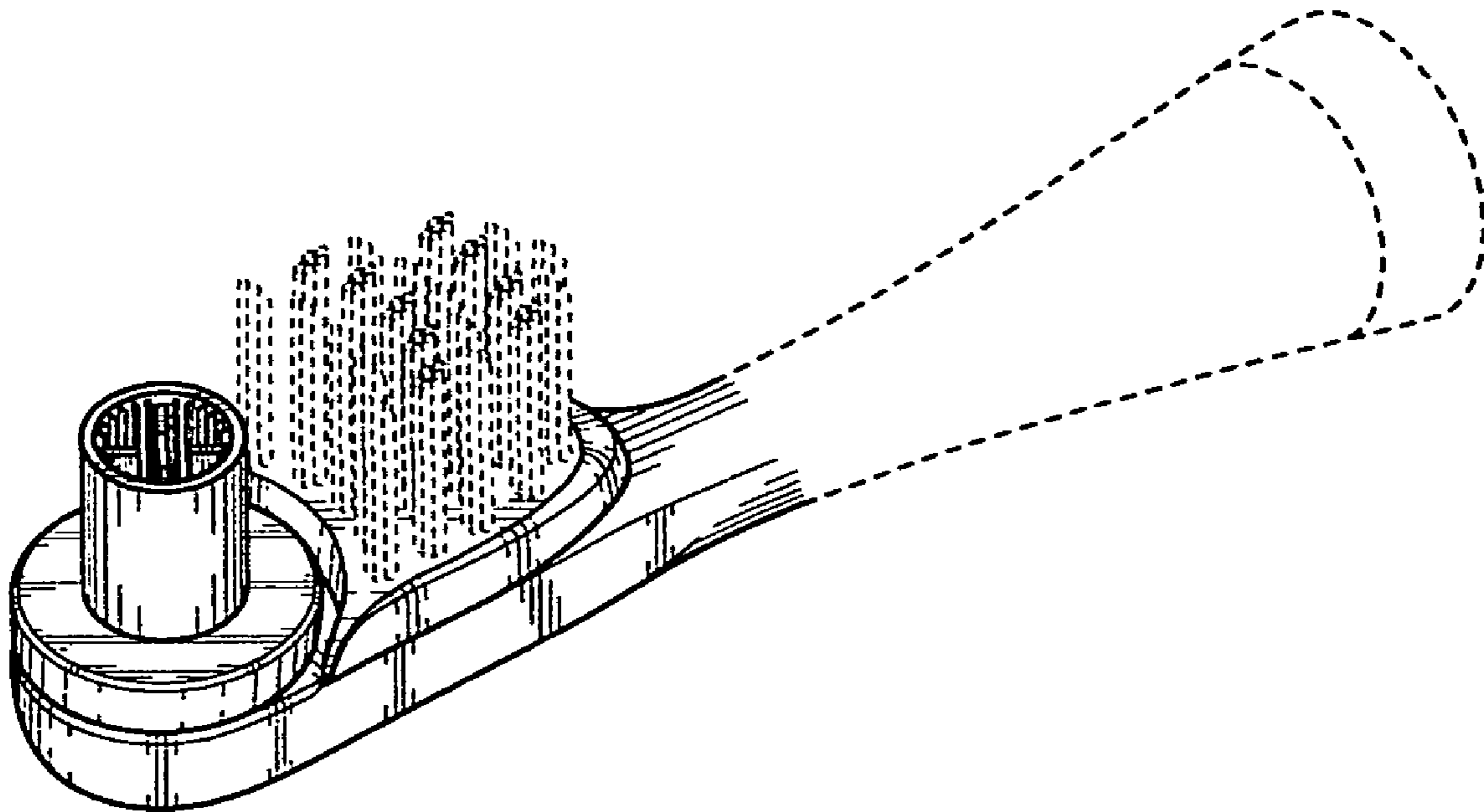
FIG. 5 is a front elevation view thereof;

FIG. 6 is a rear elevation view thereof; and,

FIG. 7 is a top perspective view with the phantom bristles on the forward section removed for clarity of illustration.

The broken lines showing bristles, the central area of the gapped region in FIG. 2, and a handle illustrate portions of the toothbrush that form no part of the claimed design.

1 Claim, 3 Drawing Sheets



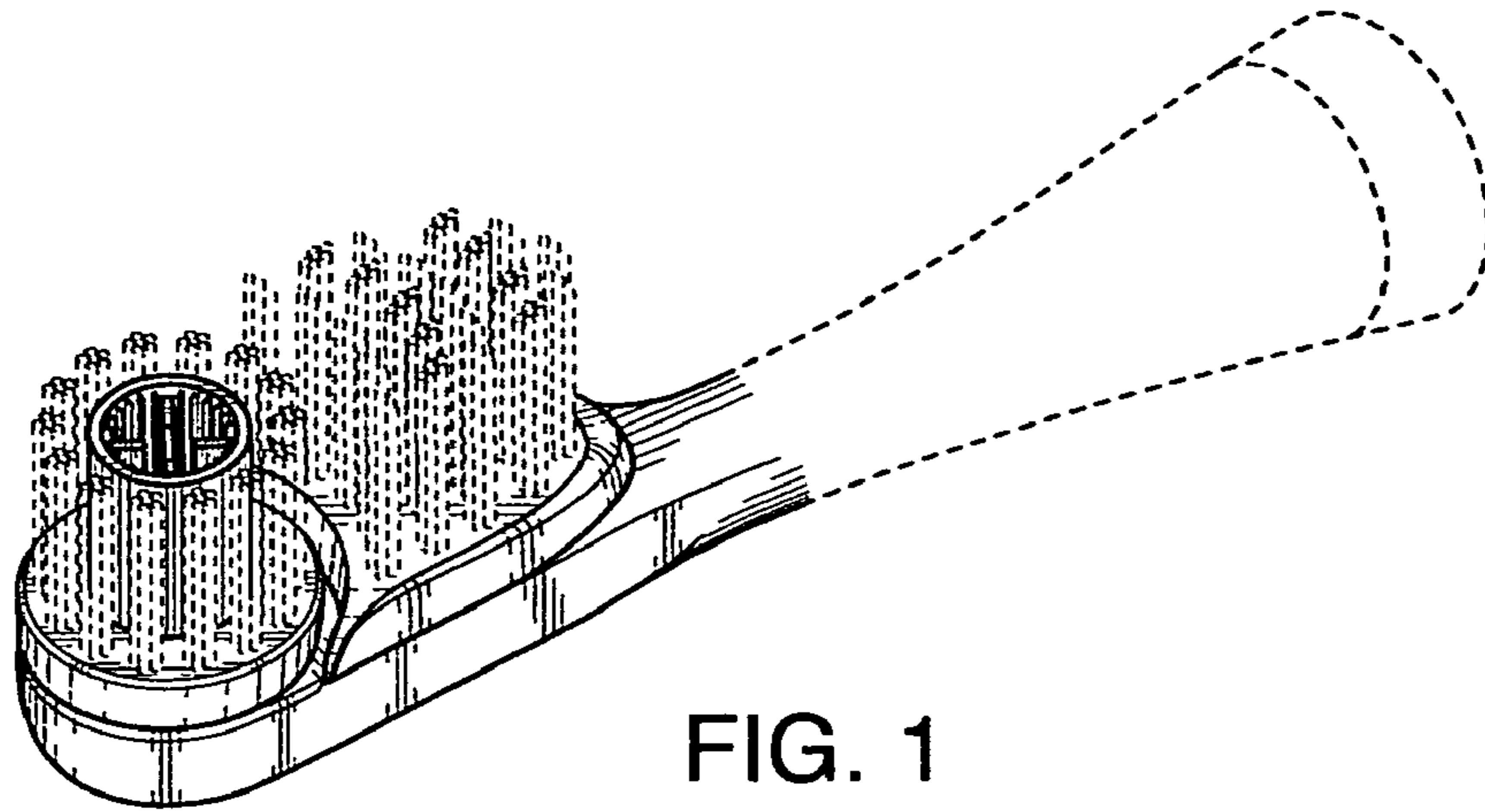


FIG. 1

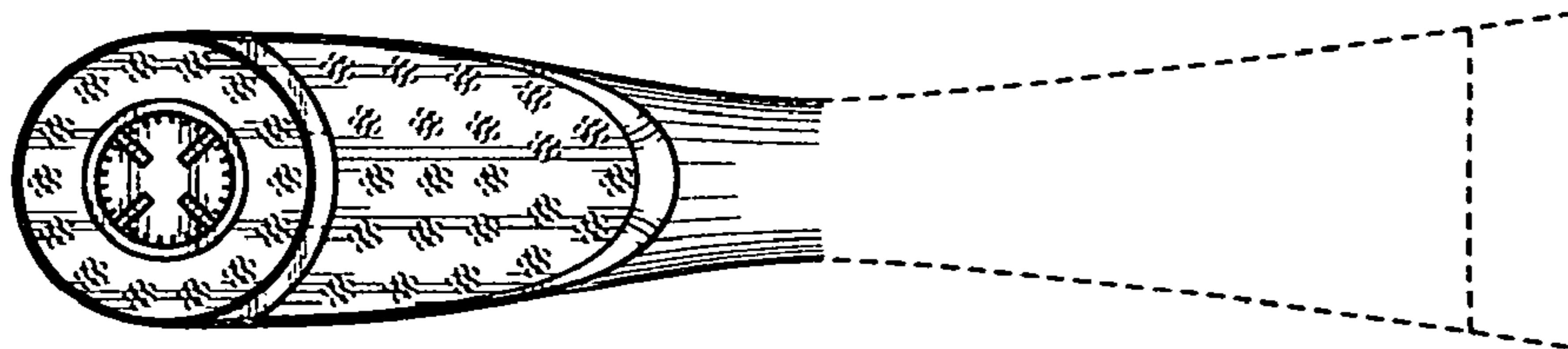


FIG. 2

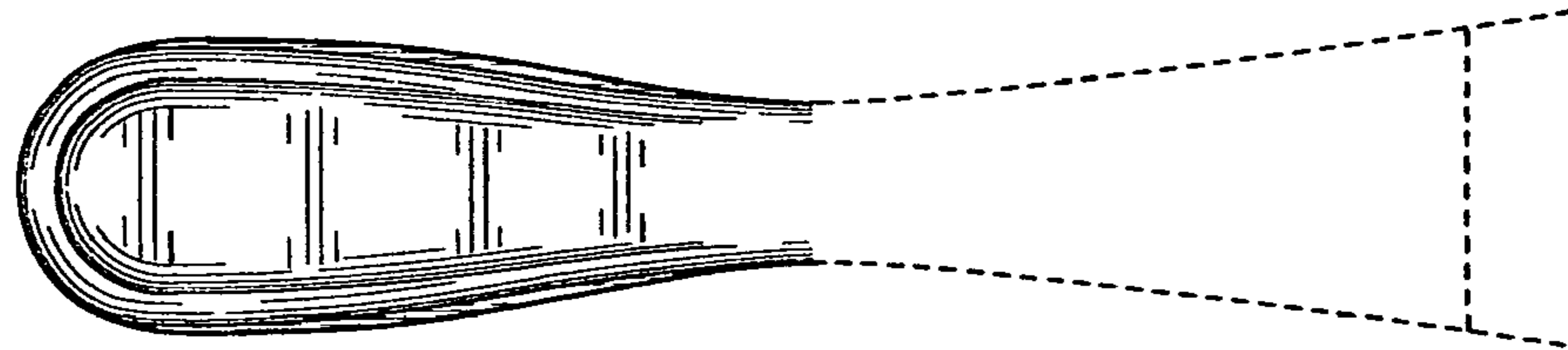


FIG. 3

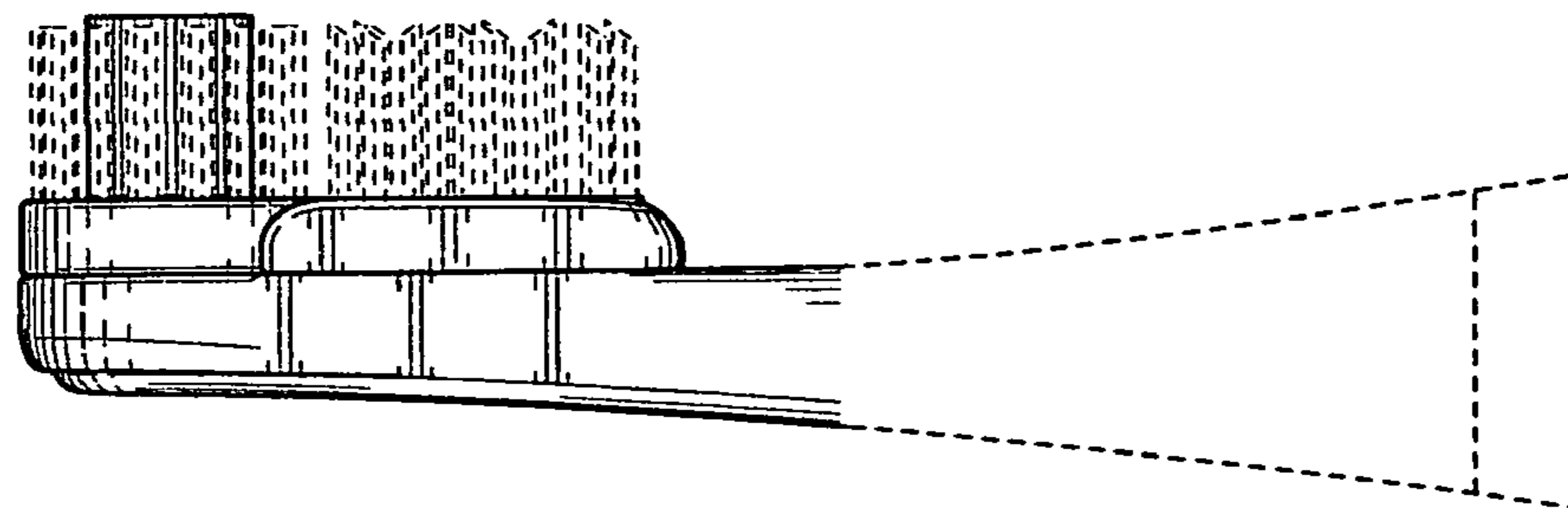


FIG. 4

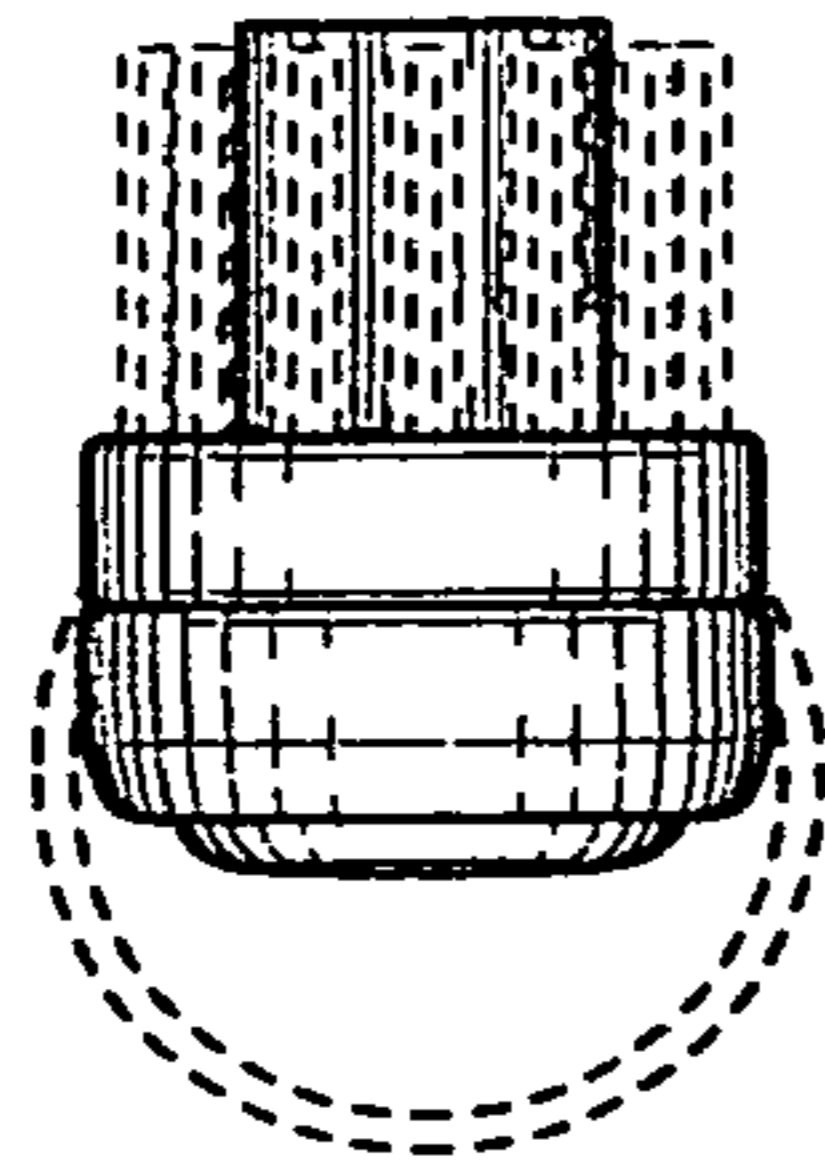


FIG. 5

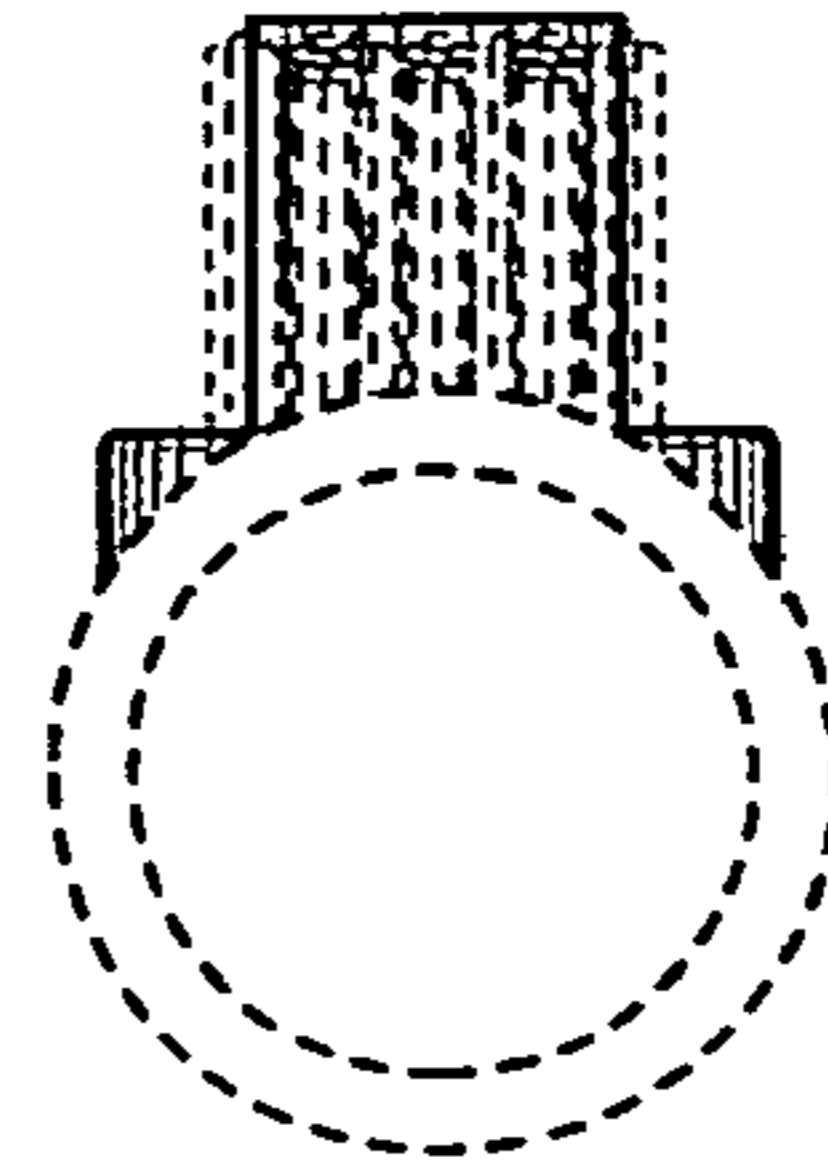


FIG. 6

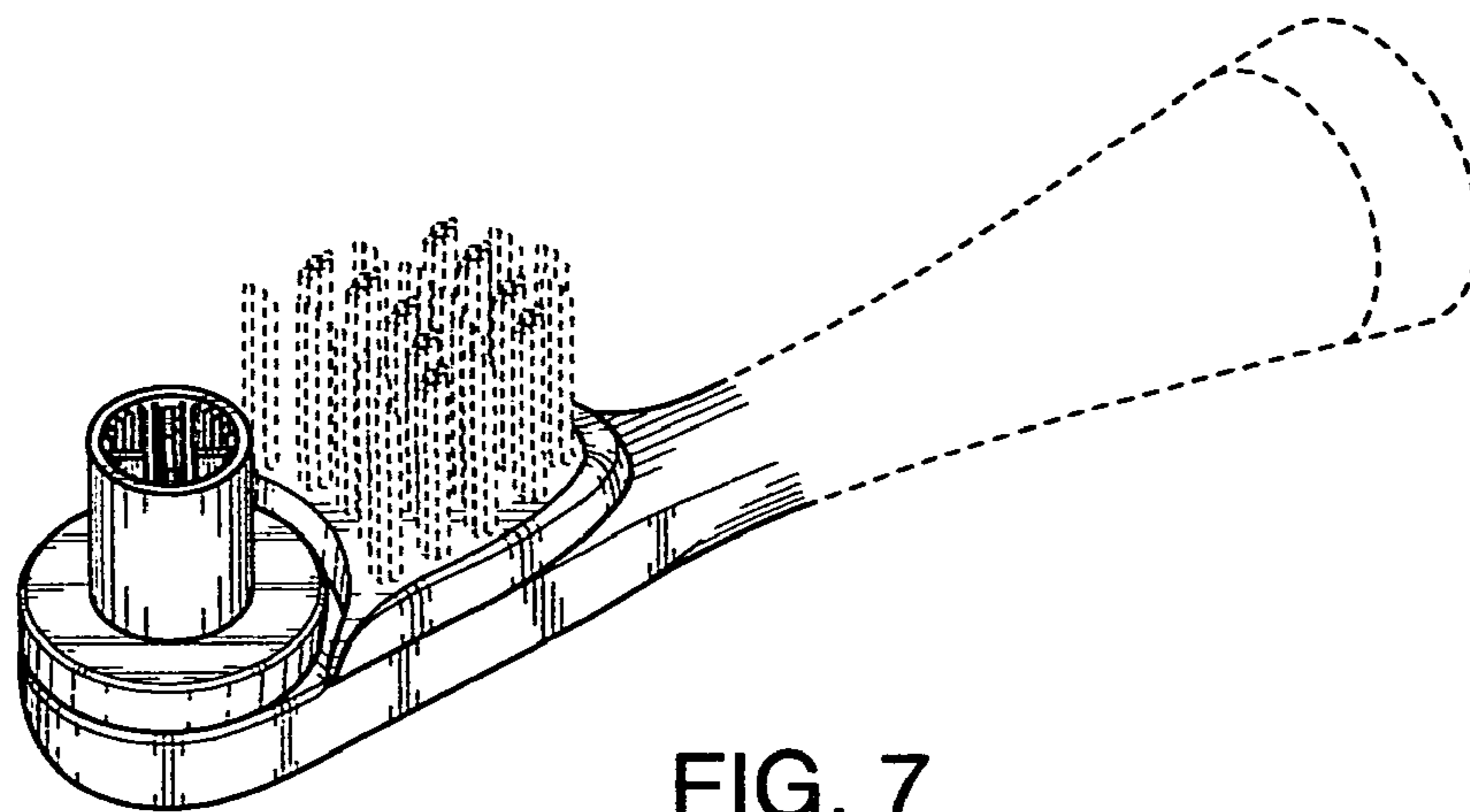


FIG. 7