



US00D643216S

(12) **United States Design Patent**  
**Greiner**

(10) **Patent No.:** **US D643,216 S**

(45) **Date of Patent:** **\*\* Aug. 16, 2011**

(54) **COSMETIC ORGANIZER**

(75) Inventor: **Lori Greiner**, Chicago, IL (US)

(73) Assignee: **For Your Ease Only, Inc.**, Chicago, IL (US)

(\*\*) Term: **14 Years**

(21) Appl. No.: **29/357,256**

(22) Filed: **Mar. 10, 2010**

(51) **LOC (9) Cl.** ..... **03-01**

(52) **U.S. Cl.** ..... **D3/296; D3/297**

(58) **Field of Classification Search** ..... D3/272-273,  
D3/295-297, 283, 276; D28/73; 312/321.5;  
206/6.1

See application file for complete search history.

(56) **References Cited**

**U.S. PATENT DOCUMENTS**

1,600,830	A	9/1926	Lewis
1,610,146	A	12/1926	Panzer
2,513,150	A	6/1950	Davis
2,663,608	A	12/1953	Schauer
2,739,697	A	3/1956	Kuddes
3,078,133	A	2/1963	Schauer
3,639,022	A	2/1972	Elmo
3,813,138	A	5/1974	Doohan
3,876,271	A	4/1975	Skirlock
3,930,702	A	1/1976	Pichowicz
4,120,549	A	10/1978	Bureau
4,239,308	A	12/1980	Bradley
4,371,077	A	2/1983	Solitt et al.
4,396,121	A	8/1983	Lemmon
4,616,891	A	10/1986	Jantzen
4,771,206	A	9/1988	Taylor
4,811,996	A	3/1989	Hansson
4,850,658	A	7/1989	Sandor
4,854,656	A	8/1989	O'Keefe
4,936,463	A	6/1990	Tiramani
4,984,854	A	1/1991	DeLavallade
5,108,162	A	4/1992	Lund
5,117,971	A	6/1992	Fisher

5,261,529	A	11/1993	Holland
5,358,100	A	10/1994	Wolff
D358,708	S *	5/1995	Ko ..... D3/276
5,411,139	A	5/1995	Victory
D361,430	S	8/1995	Mohundro
5,484,092	A	1/1996	Cheney
5,511,873	A	4/1996	Mech

(Continued)

**FOREIGN PATENT DOCUMENTS**

DE 19924969 12/2000

(Continued)

**OTHER PUBLICATIONS**

English-language abstract—Japanese Patent Publication 2000-197530 (Sekisui House KK).

(Continued)

*Primary Examiner* — Holly Baynham

(74) *Attorney, Agent, or Firm* — Fredrikson & Byron, P.A.

(57) **CLAIM**

I claim the ornamental design for a cosmetic organizer, as shown and described.

**DESCRIPTION**

FIG. 1 is a perspective view of my new design for a cosmetic organizer;

FIG. 2 is a perspective view thereof with the compartments open;

FIG. 3 is a front elevation view thereof;

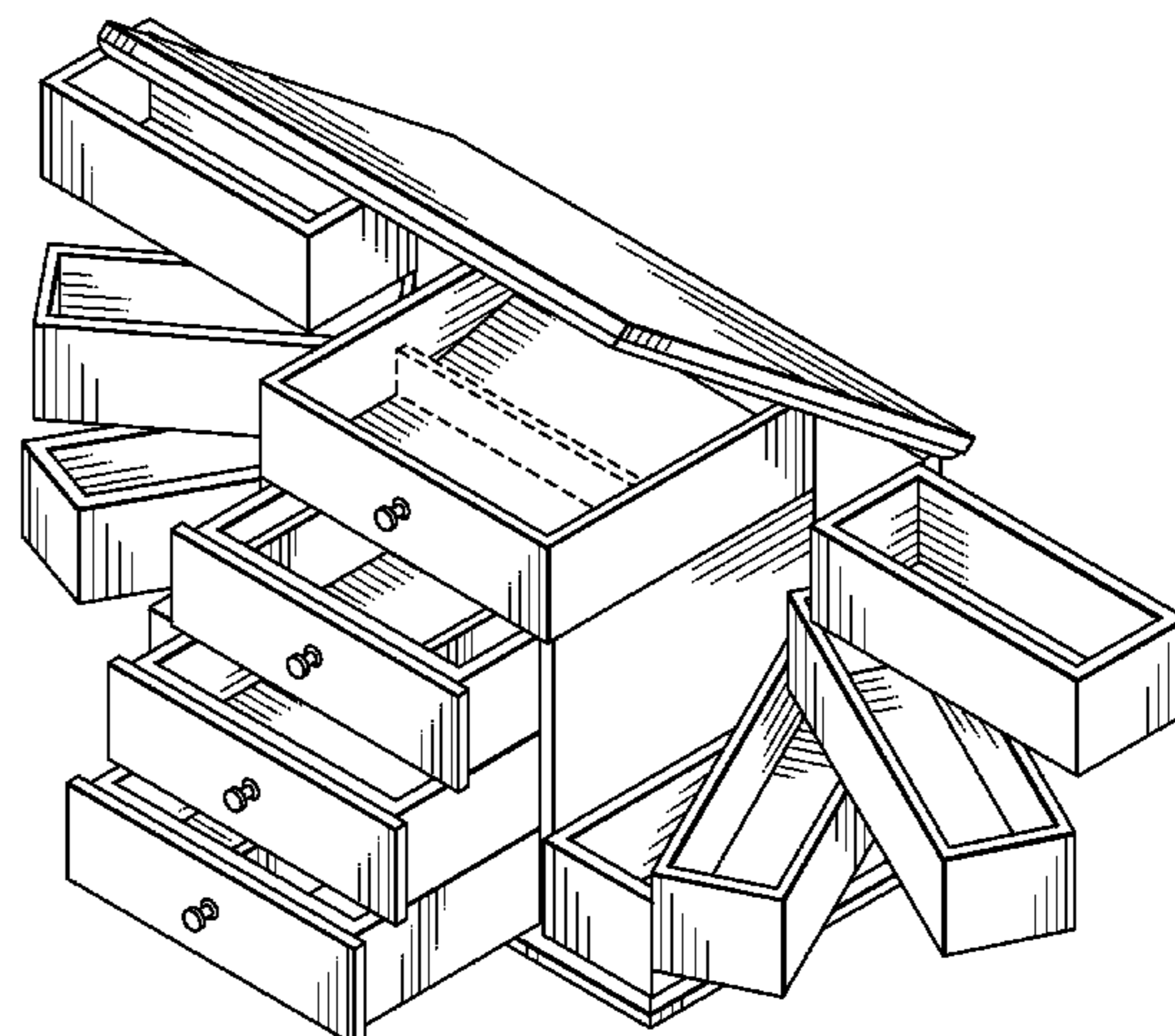
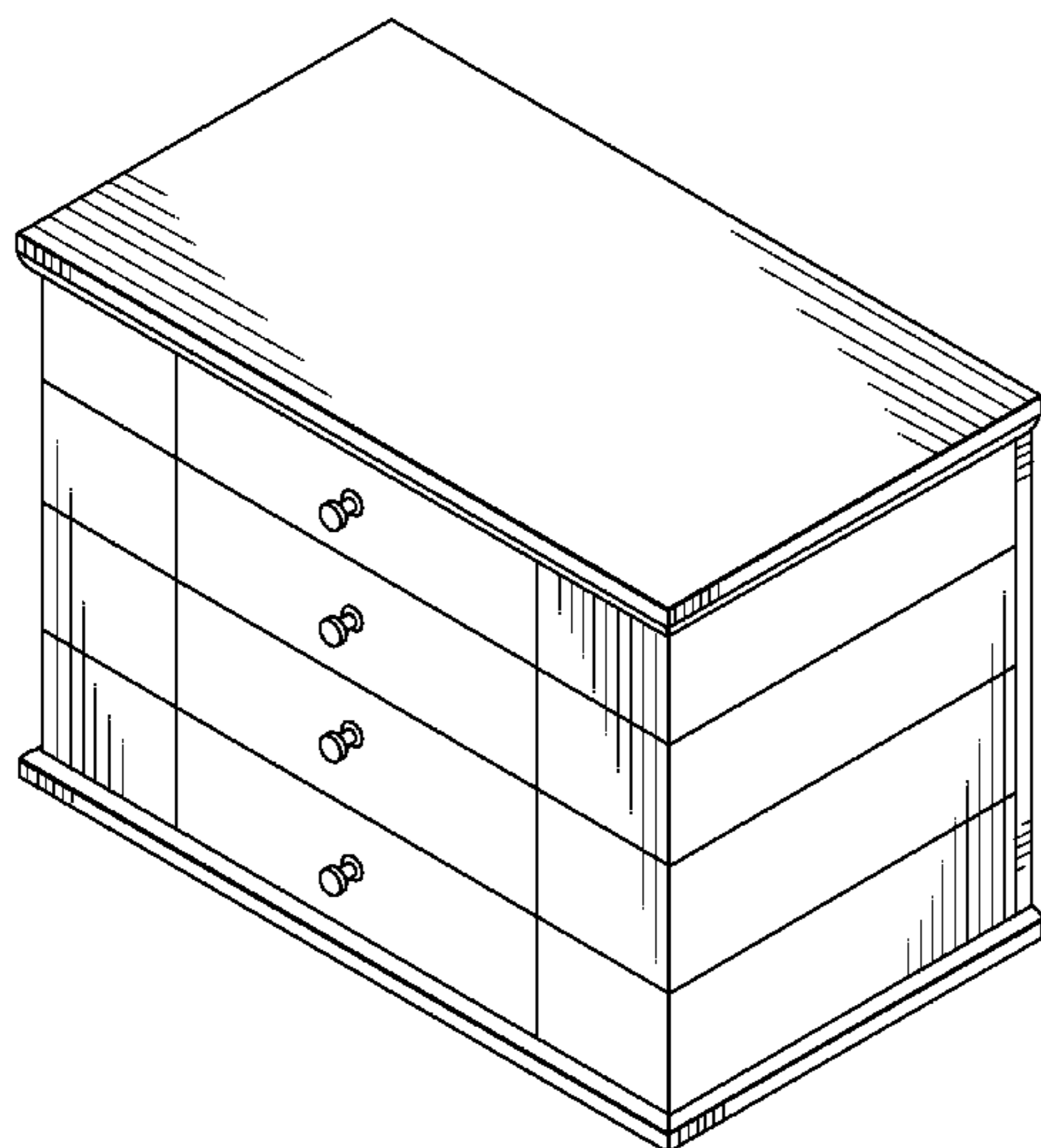
FIG. 4 is a left side view, the right side view is a mirror image thereof;

FIG. 5 is a top elevation view thereof; and,

FIG. 6 is a rear elevation view thereof.

The broken line showing of a divider is included for the purpose of illustrating environment and forms no part of the claimed design.

**1 Claim, 4 Drawing Sheets**



# US D643,216 S

Page 2

---

## U.S. PATENT DOCUMENTS

5,558,418	A	9/1996	Lambright et al.	
D381,837	S *	8/1997	Lin .....	D6/445
5,685,624	A	11/1997	Lee	
5,690,401	A	11/1997	Franklin	
5,692,605	A	12/1997	Lai	
5,762,184	A	6/1998	Greiner	
6,045,202	A	4/2000	Simon	
D443,137	S *	6/2001	Lai .....	D3/295
D451,700	S *	12/2001	Vaaler .....	D6/445
6,595,609	B1	7/2003	Greiner	
D506,869	S *	7/2005	Davis .....	D3/297
7,052,098	B1	5/2006	Greiner	
D563,104	S *	3/2008	Wenck .....	D3/297

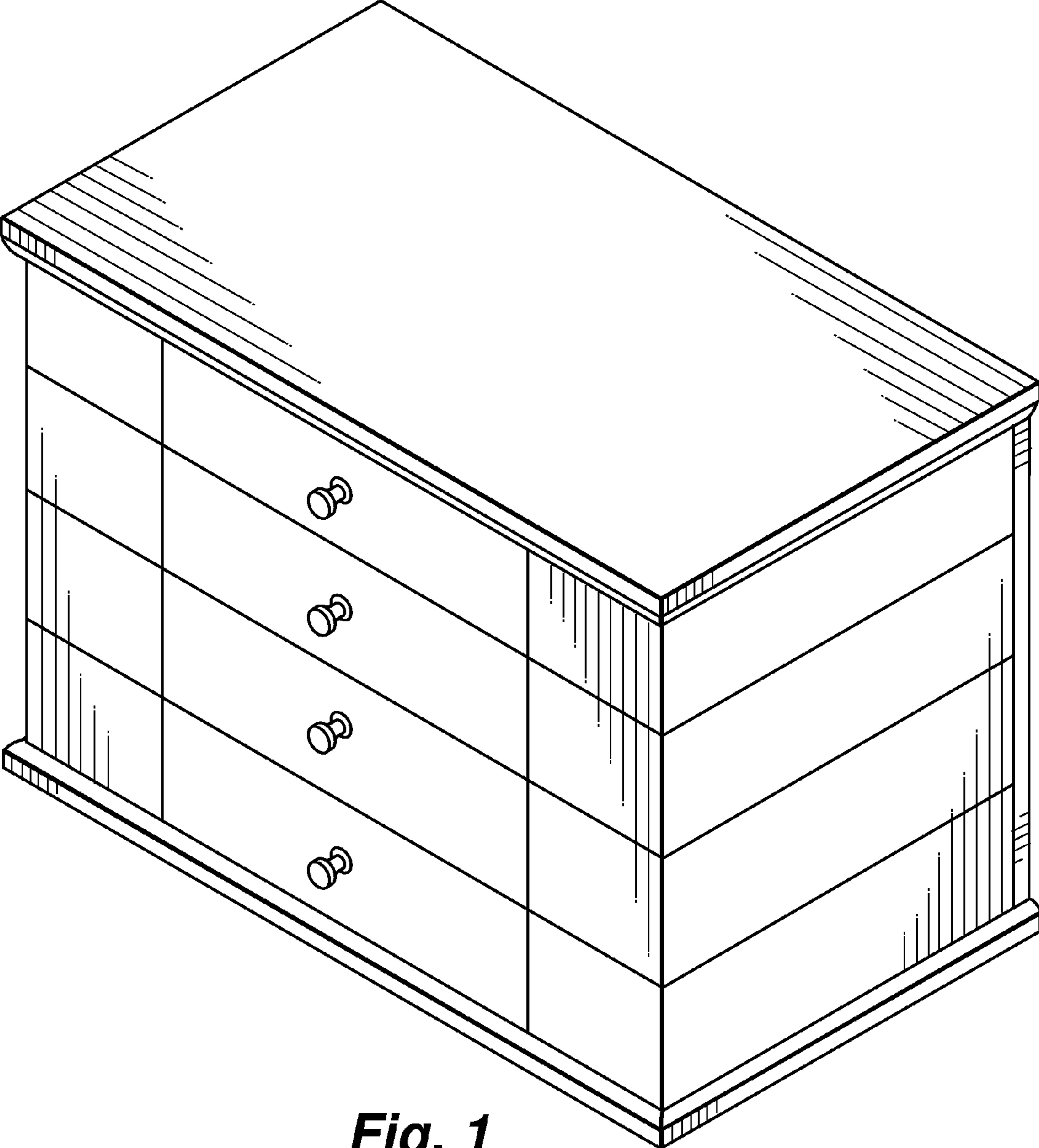
## FOREIGN PATENT DOCUMENTS

FR	940540	12/1948
GB	287249	3/1928
GB	2205225	12/1988
GB	2217298	10/1989
GB	2273649	6/1994
GB	2345630	7/2000
JP	00-197530	7/2000
WO	99/00005	1/1999

## OTHER PUBLICATIONS

English-language abstract—German Patent Publication 19924969  
(Wellmann Gustav GmbH).

\* cited by examiner



**Fig. 1**

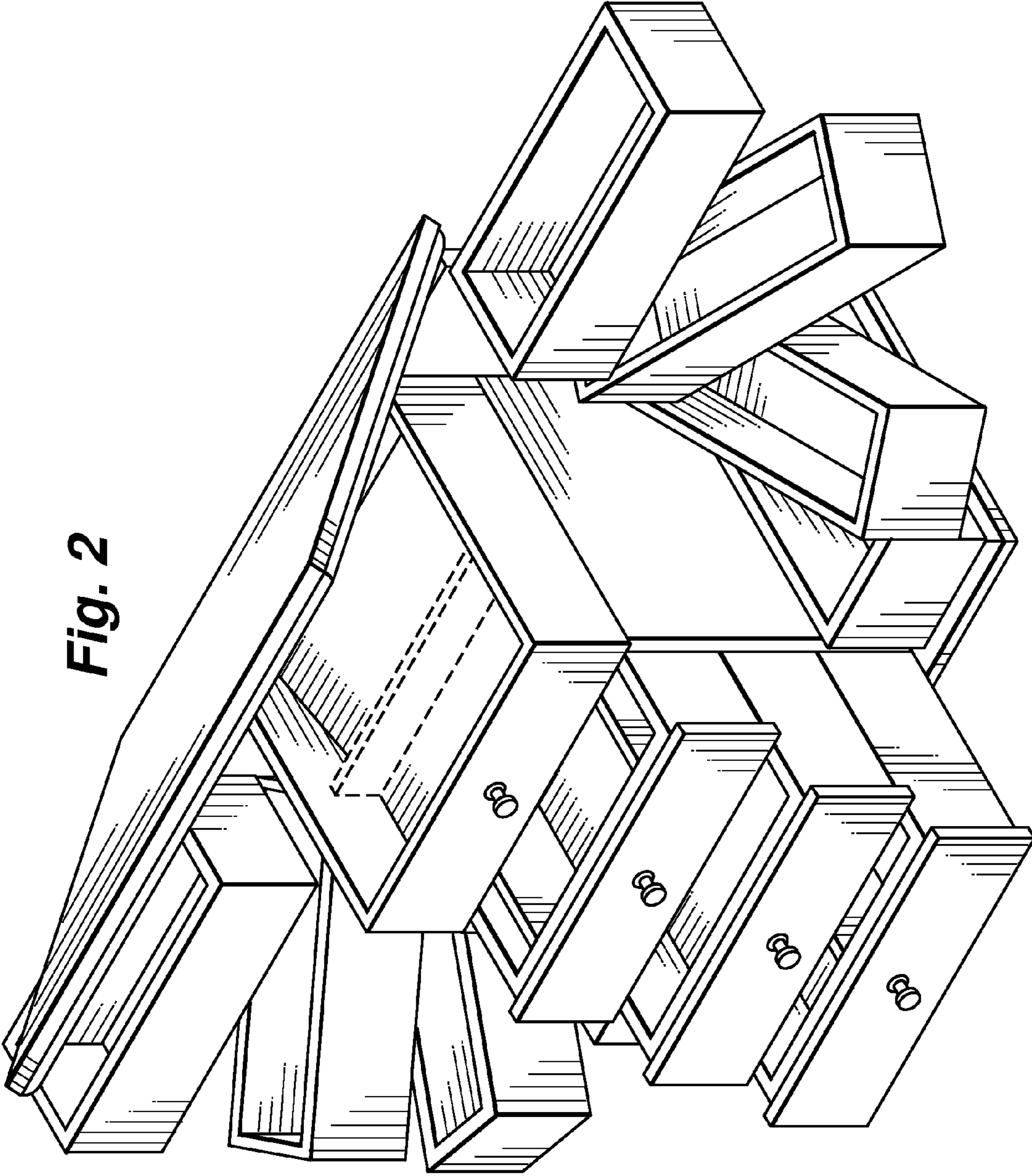
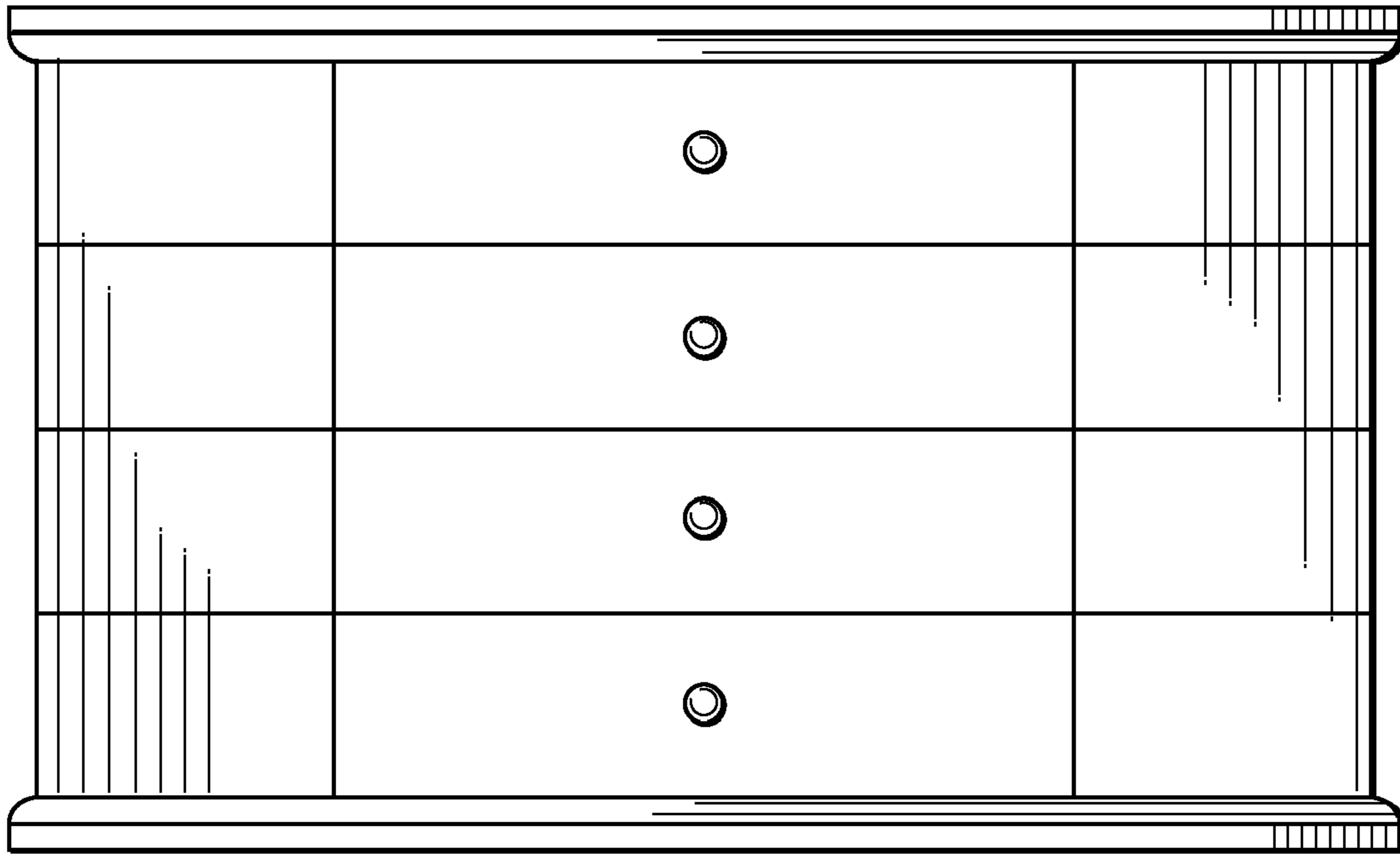
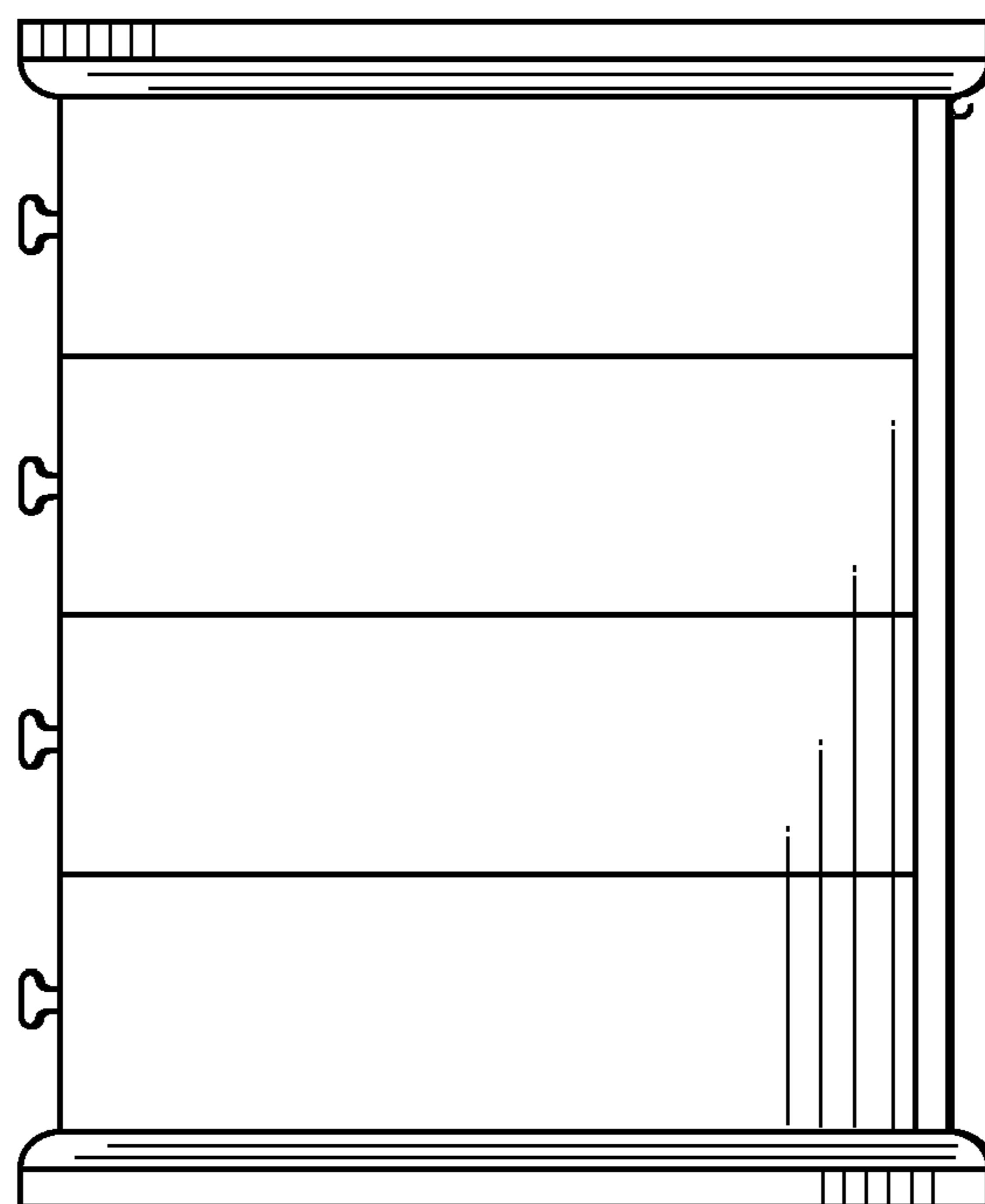


Fig. 2

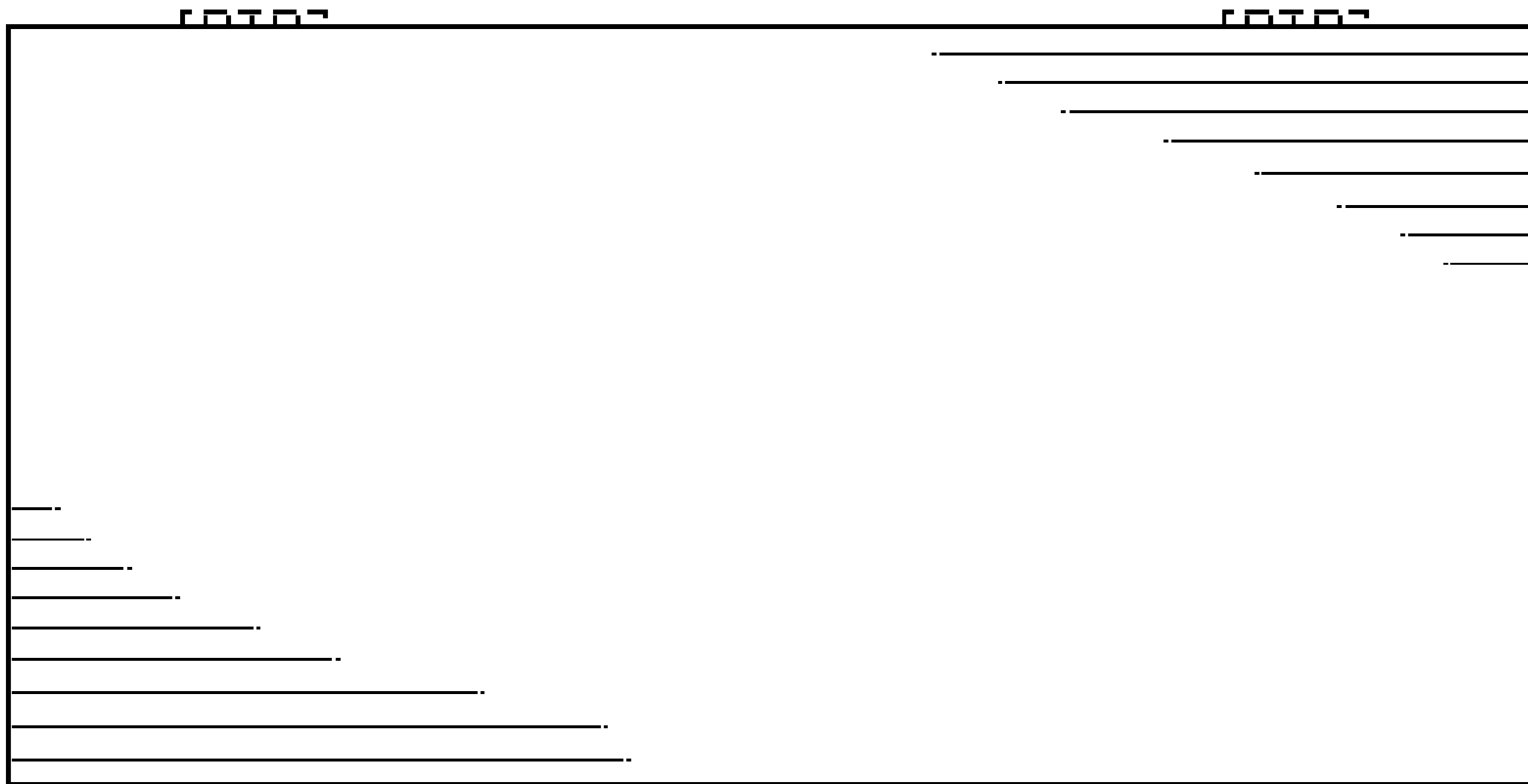
**Fig. 3**



**Fig. 4**



**Fig. 5**



**Fig. 6**

