



US00D643215S

(12) **United States Design Patent**
Lin

(10) **Patent No.:** **US D643,215 S**

(45) **Date of Patent:** **** Aug. 16, 2011**

(54) **EXPANDABLE TROLLEY TRAVELING BAG**

Primary Examiner — Jennifer Rivard

(76) **Inventor:** **Che-Wen Lin**, Taipei Hsien (TW)

(74) *Attorney, Agent, or Firm* — Muncy, Geissler, Olds & Lowe, PLLC

(**) **Term:** **14 Years**

(57) **CLAIM**

(21) **Appl. No.:** **29/361,454**

The ornamental design for an expandable trolley traveling bag, as shown and described.

(22) **Filed:** **May 11, 2010**

DESCRIPTION

(51) **LOC (9) Cl.** **03-01**

(52) **U.S. Cl.** **D3/279; D3/283; D3/289**

(58) **Field of Classification Search** D3/272,
D3/273, 276, 279, 283, 285, 289, 291, 292,
D3/274; 190/100–127, 18 A

See application file for complete search history.

FIG. 1 is a perspective view of an expandable trolley traveling bag;

FIG. 2 is a front view thereof;

FIG. 3 is a back view thereof;

FIG. 4 is a left side view thereof;

FIG. 5 is a right side view thereof;

FIG. 6 is a top view thereof;

FIG. 7 is a bottom view thereof;

FIG. 8 is a perspective view of the embodiment shown in FIG. 1 wherein all expanded portions are enclosed.

FIG. 9 is a front view of FIG. 8.

FIG. 10 is a back view of FIG. 8.

FIG. 11 is a left side view of FIG. 8.

FIG. 12 is a right side view of FIG. 8.

FIG. 13 is a top view of FIG. 8; and,

FIG. 14 is a bottom view of FIG. 8.

The pattern is partially shown for convenience of illustration.

It is understood that the pattern is uniformly continuous over the surface of the expandable trolley traveling bag.

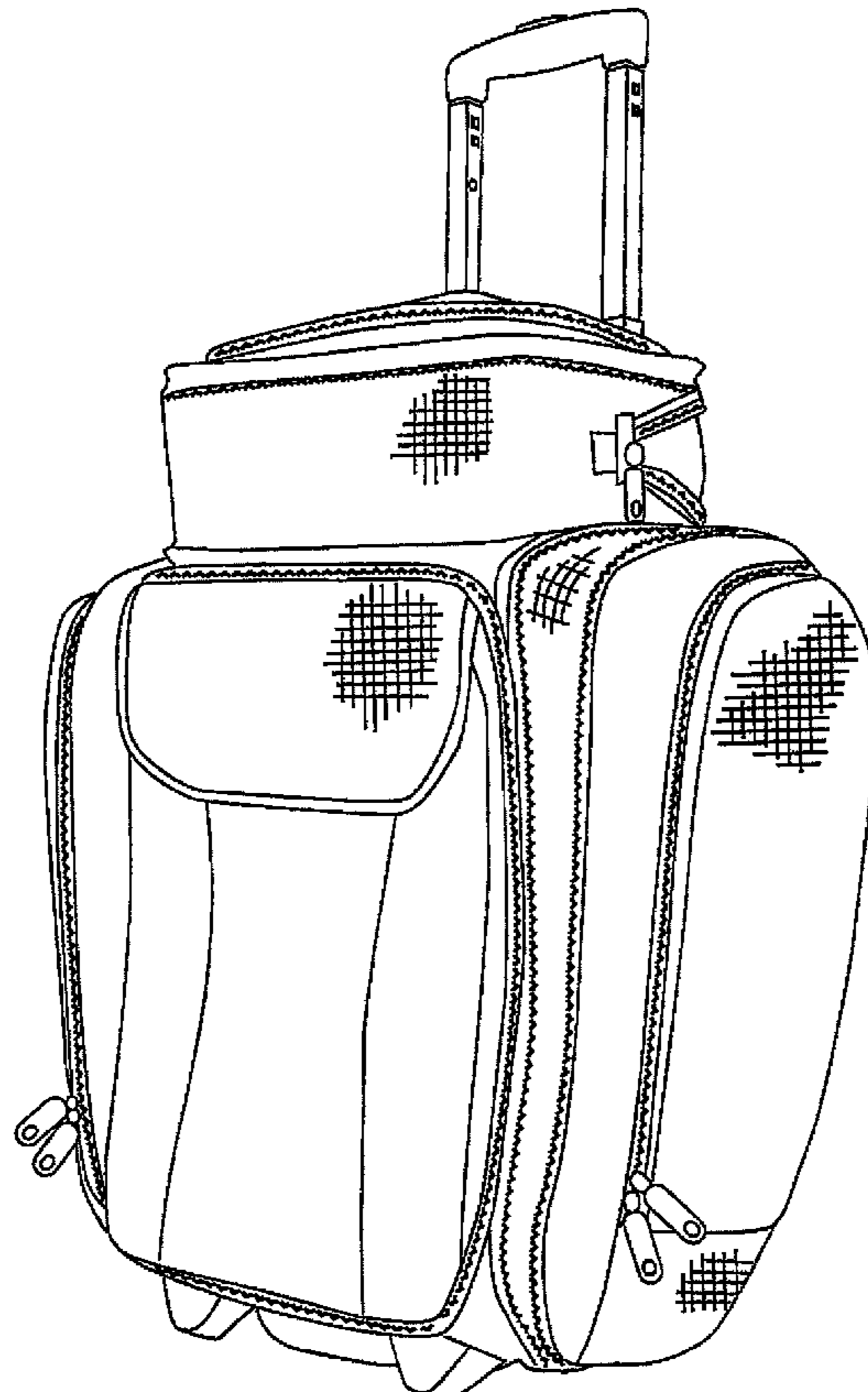
(56) **References Cited**

U.S. PATENT DOCUMENTS

D387,625 S *	12/1997	Kai Fai	D3/279
D534,353 S *	1/2007	Hsieh	D3/279
D554,369 S *	11/2007	Katz et al.	D3/279
D554,862 S *	11/2007	Hsieh	D3/279
D582,673 S *	12/2008	Mangano	D3/279
D590,154 S *	4/2009	Hopwood et al.	D3/279
D597,309 S *	8/2009	Jongchul	D3/279
D601,342 S *	10/2009	Choi	D3/279
2008/0135365 A1 *	6/2008	Han	190/107
2009/0139814 A1 *	6/2009	Grossman et al.	190/18 A
2010/0101971 A1 *	4/2010	Chisholm	206/526

* cited by examiner

1 Claim, 14 Drawing Sheets



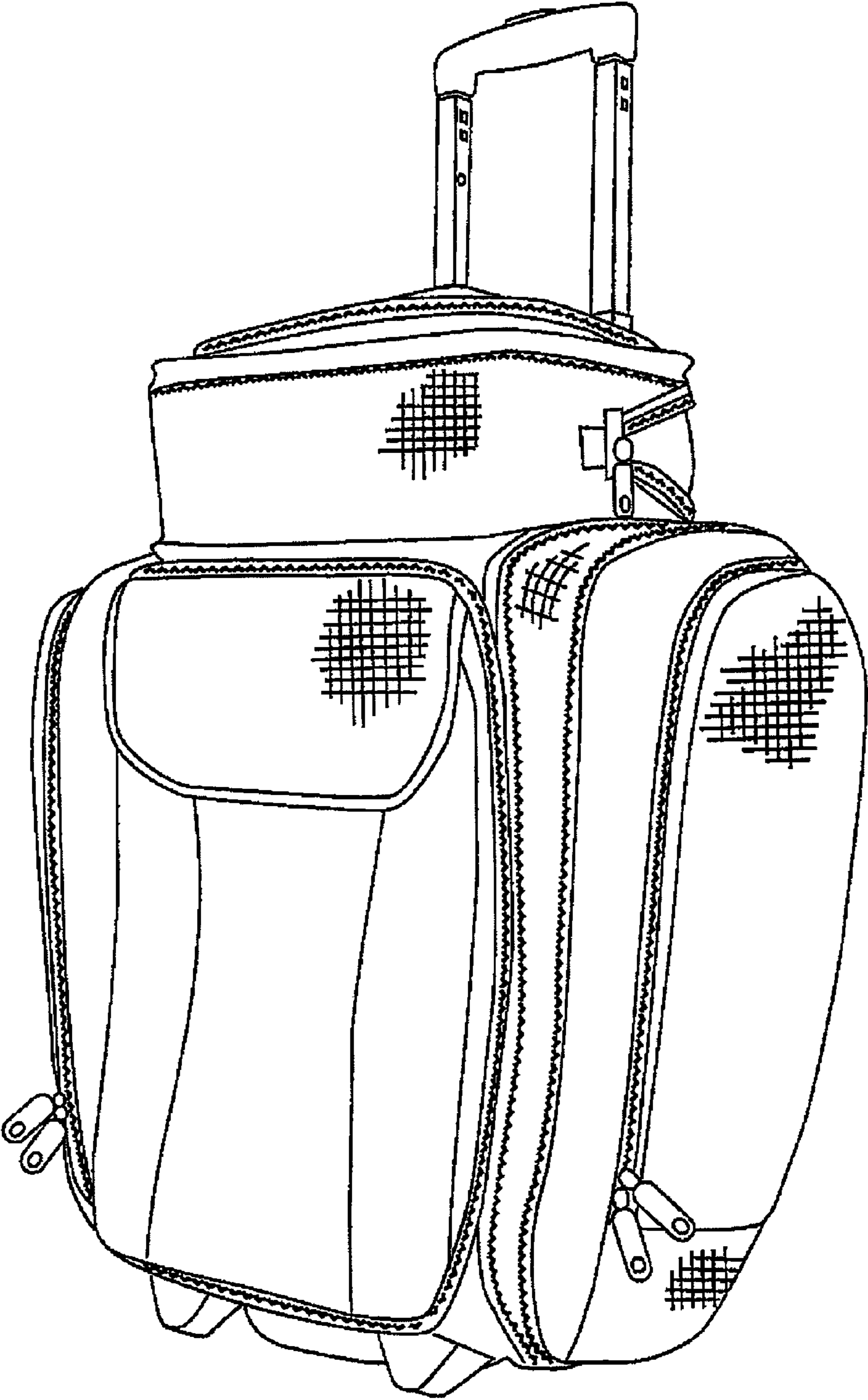


FIG. 1

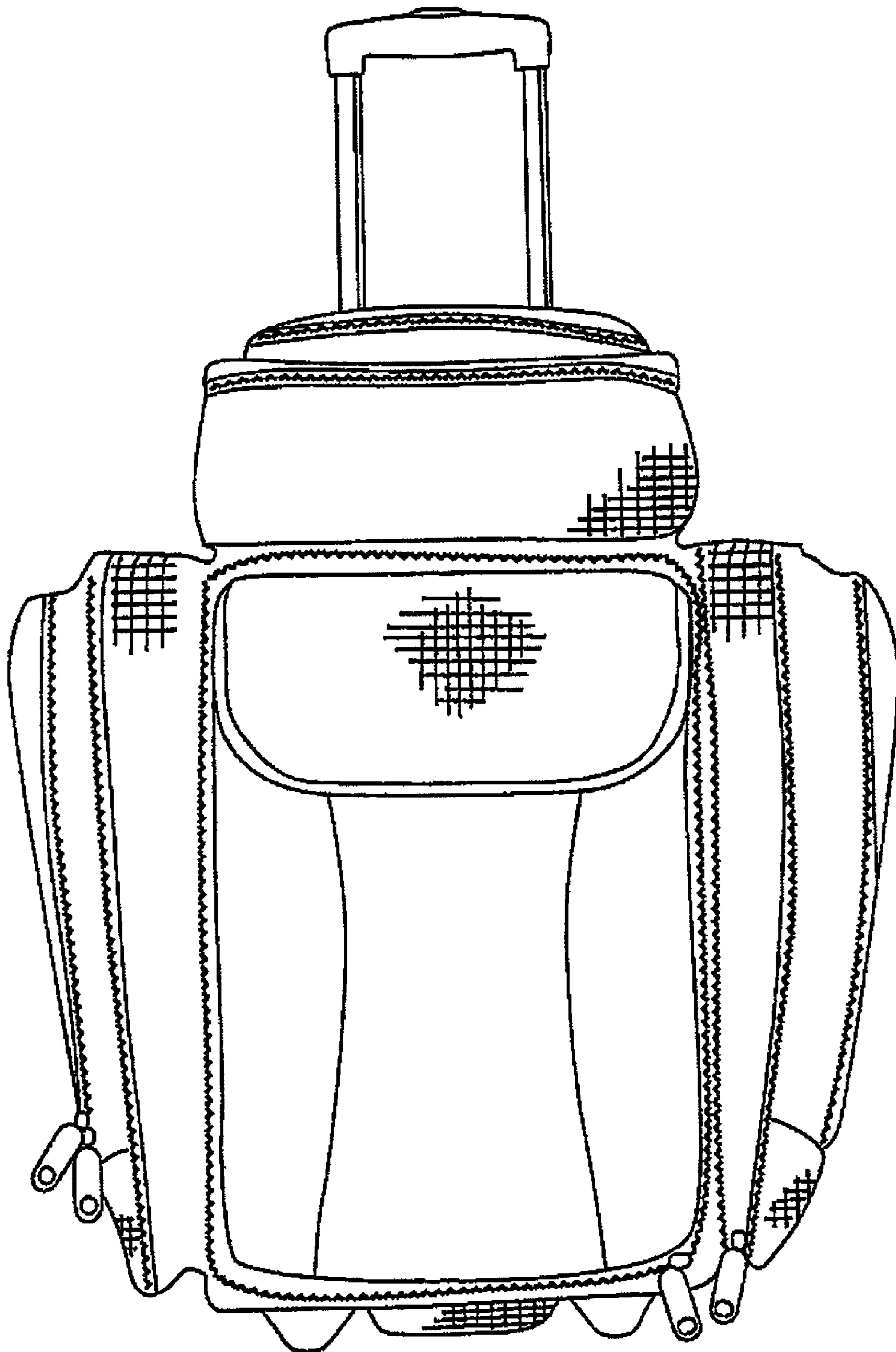


FIG. 2

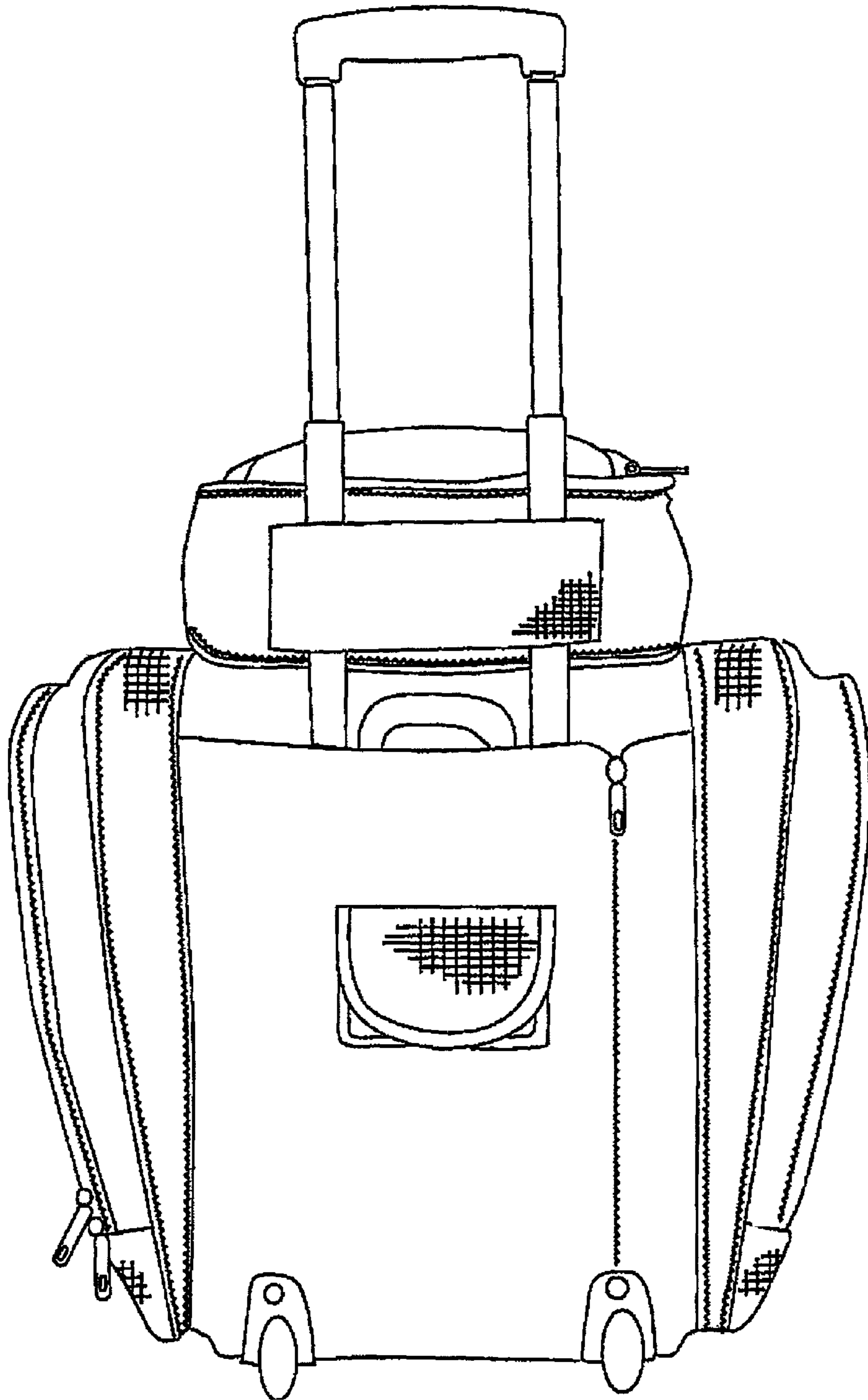


FIG. 3

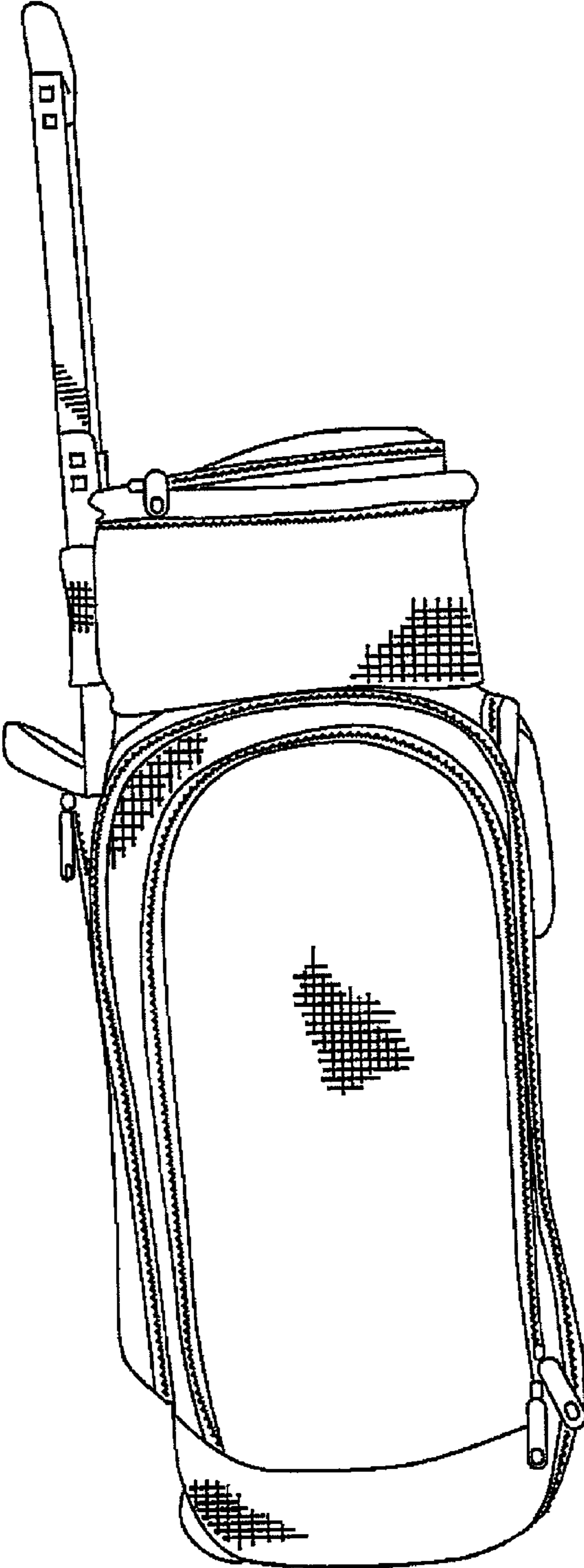


FIG. 4

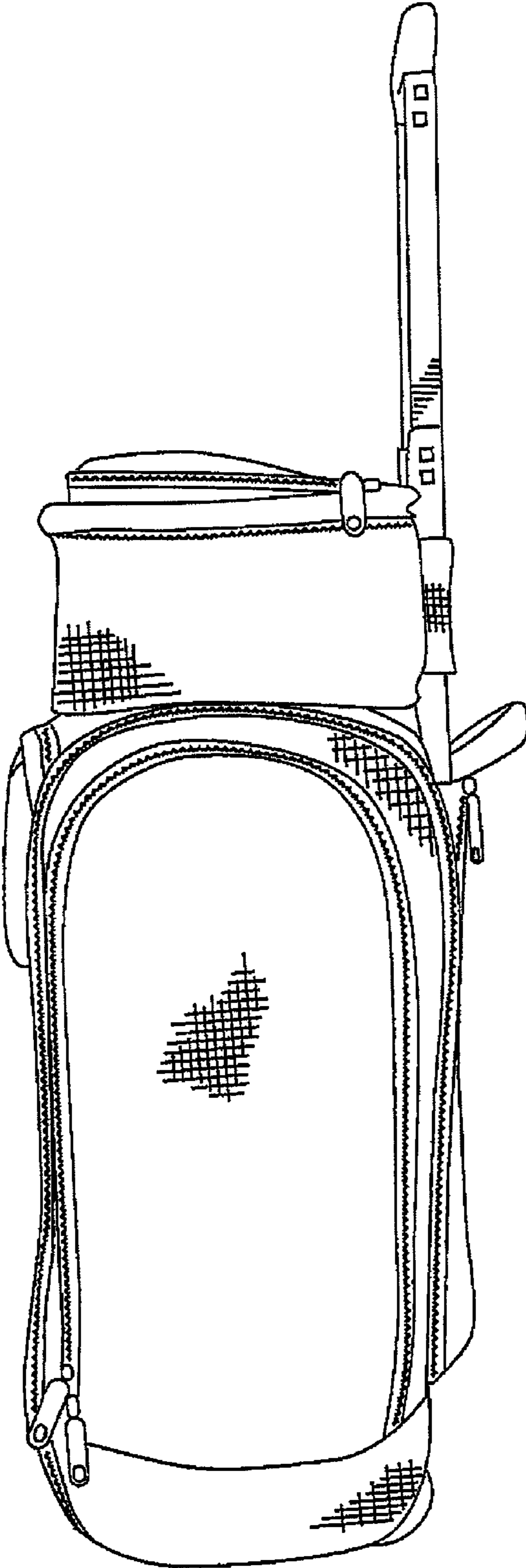


FIG. 5

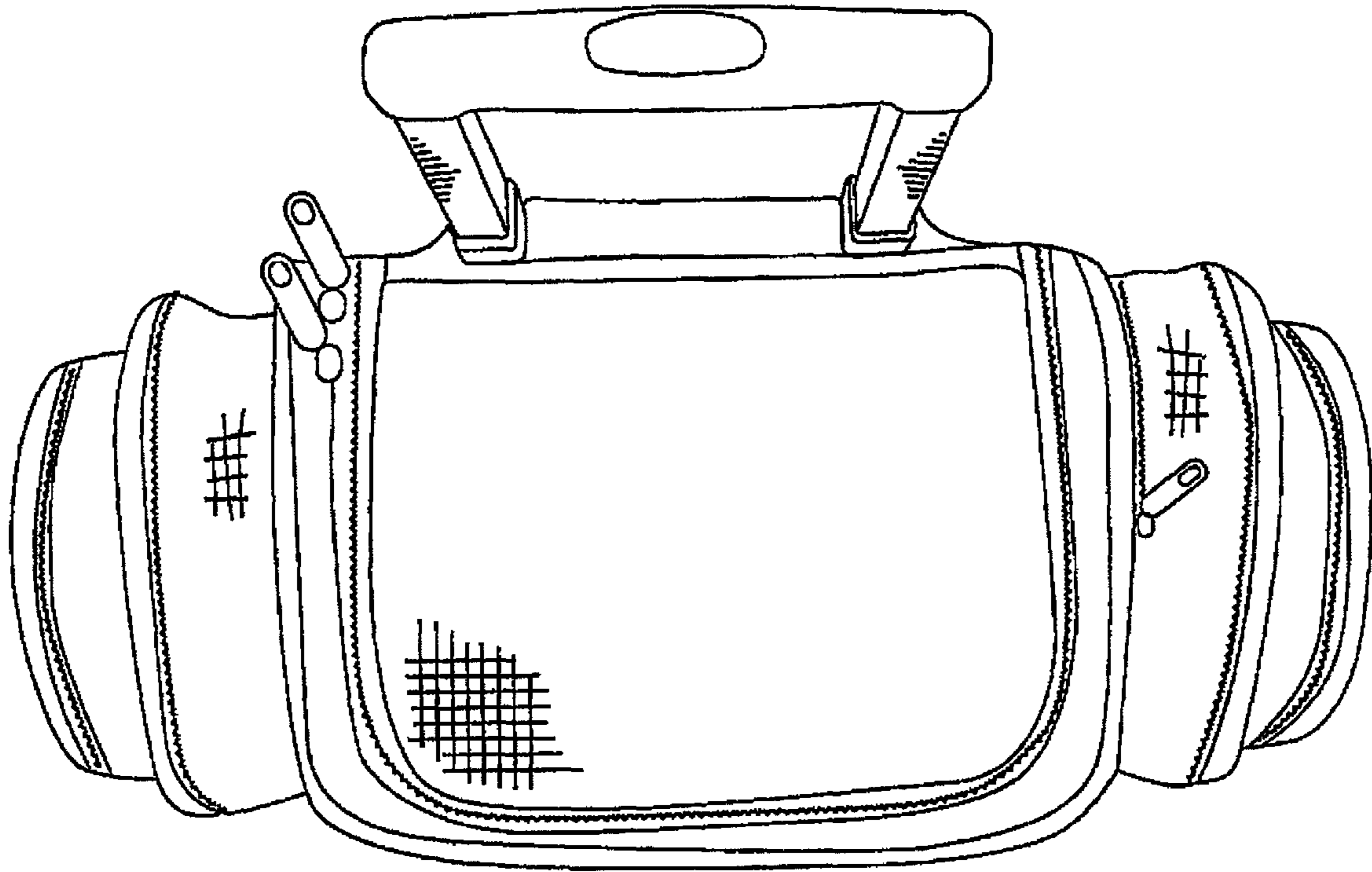


FIG. 6

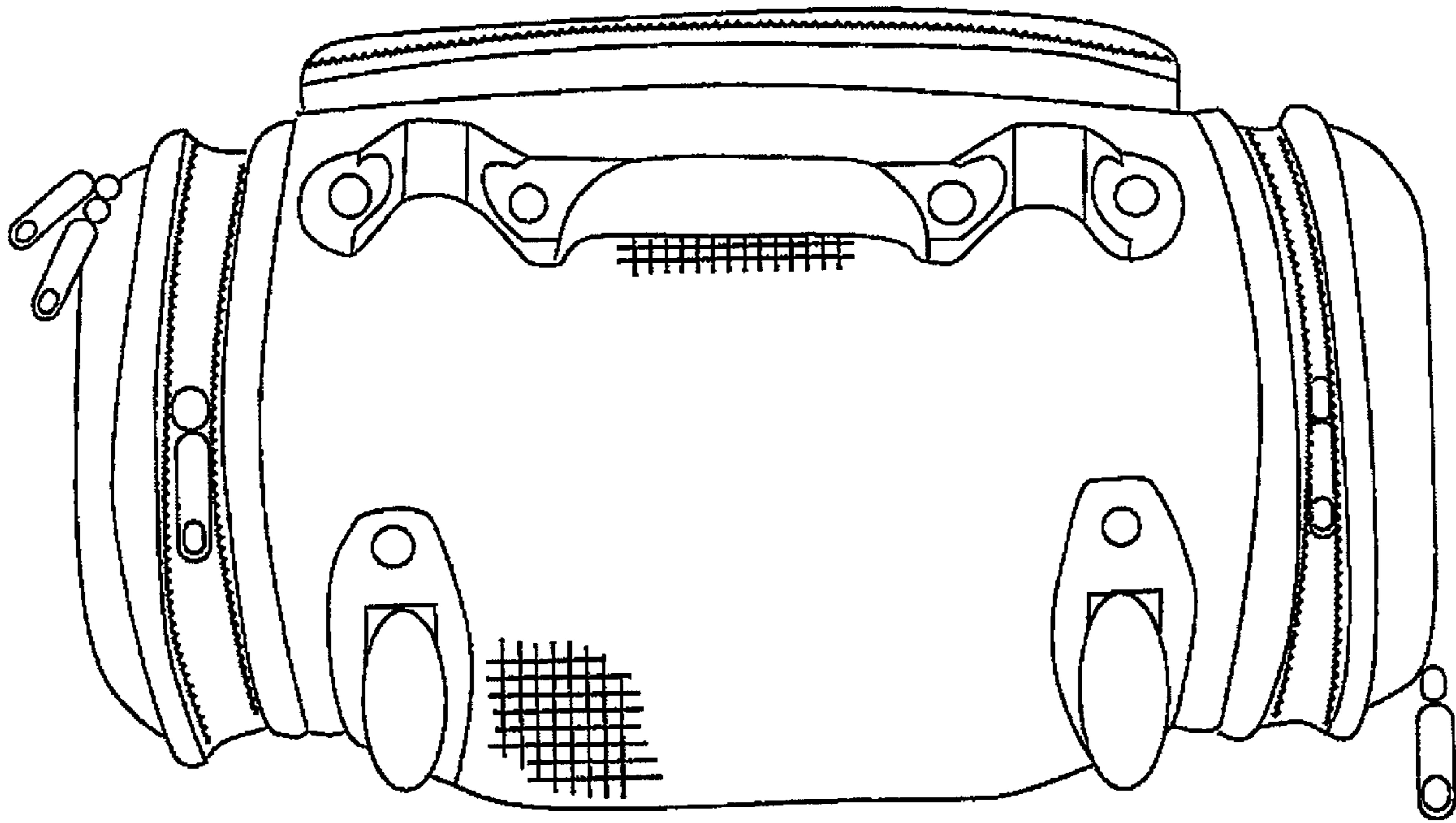


FIG. 7

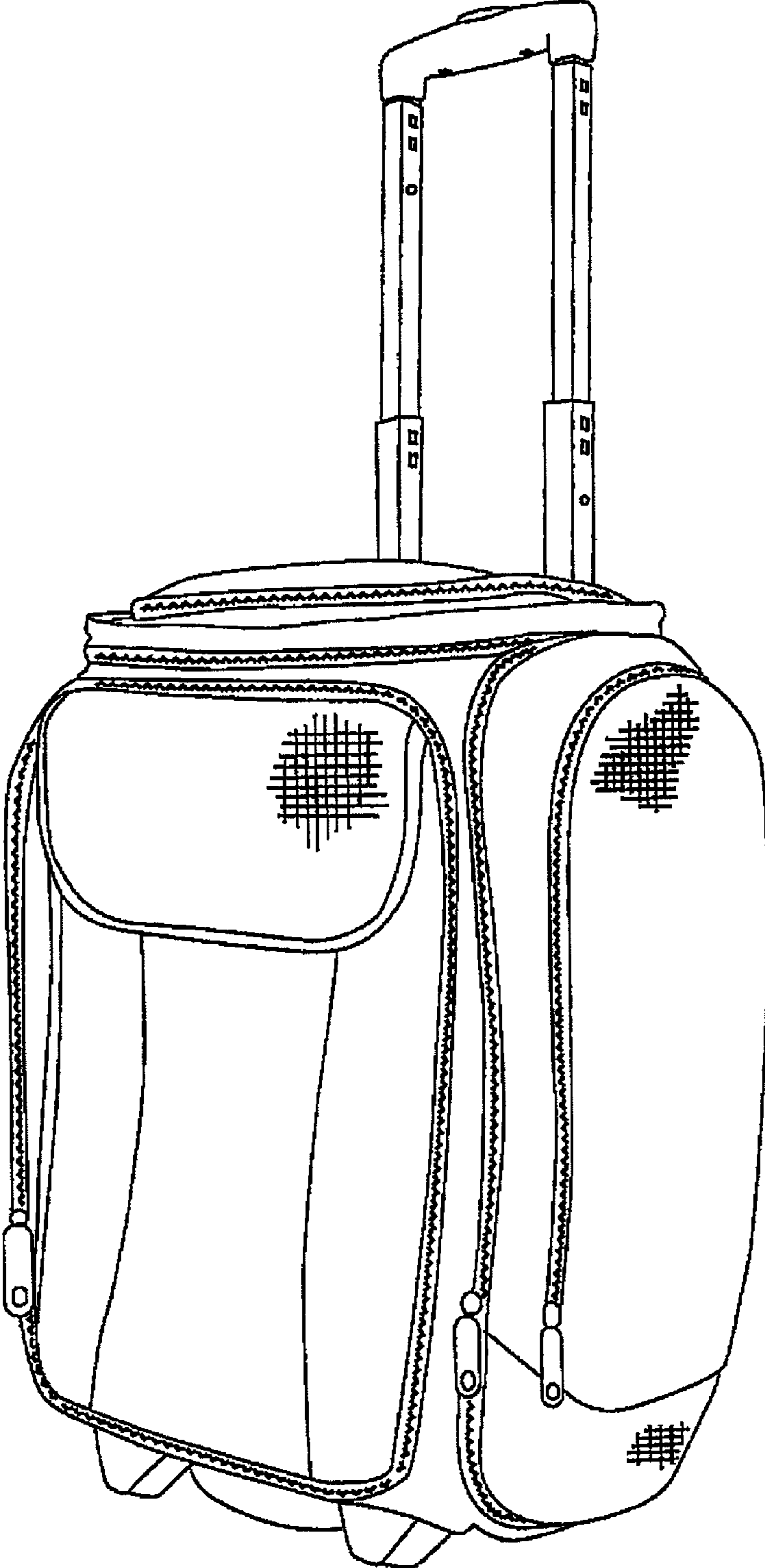


FIG. 8

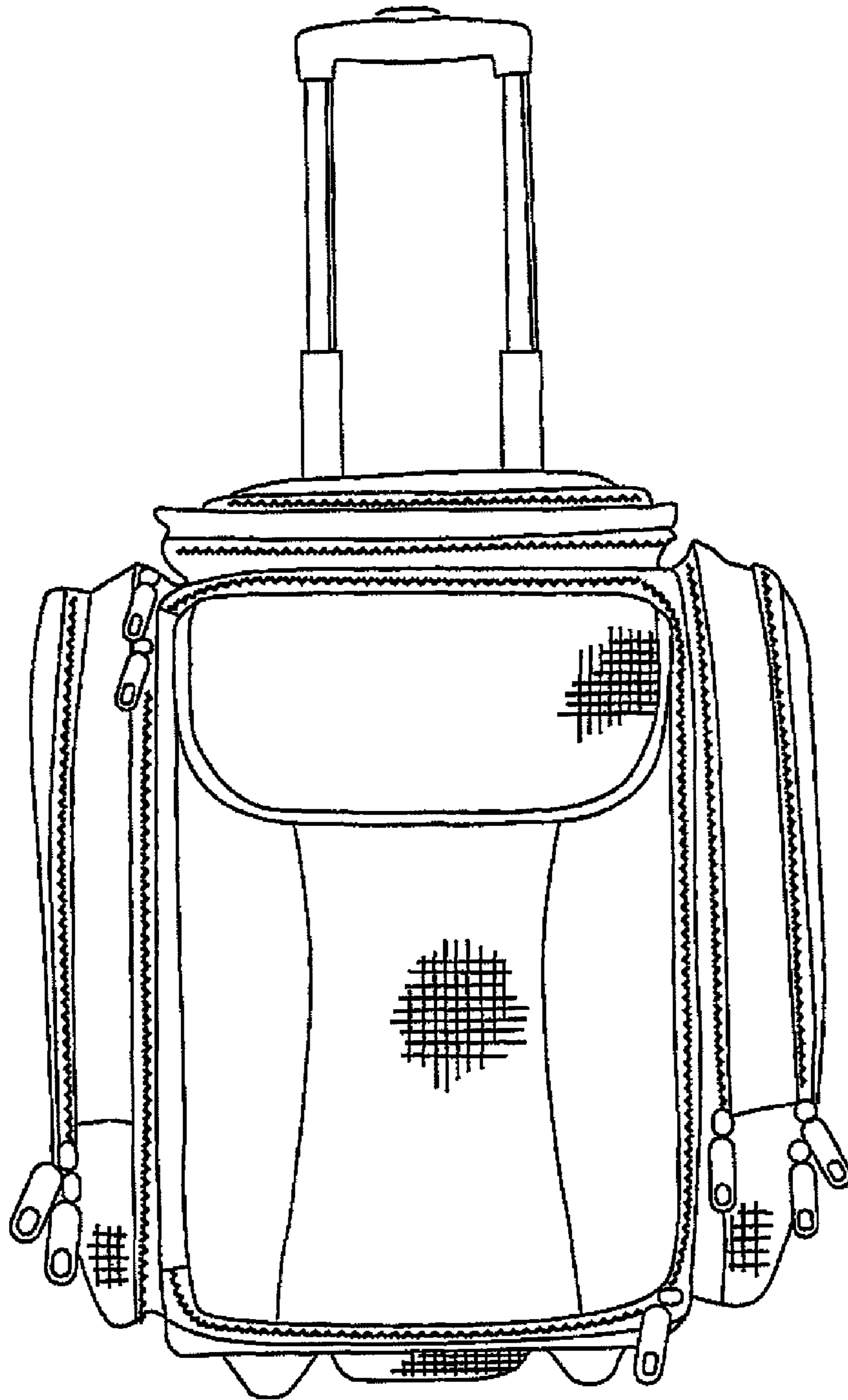


FIG. 9

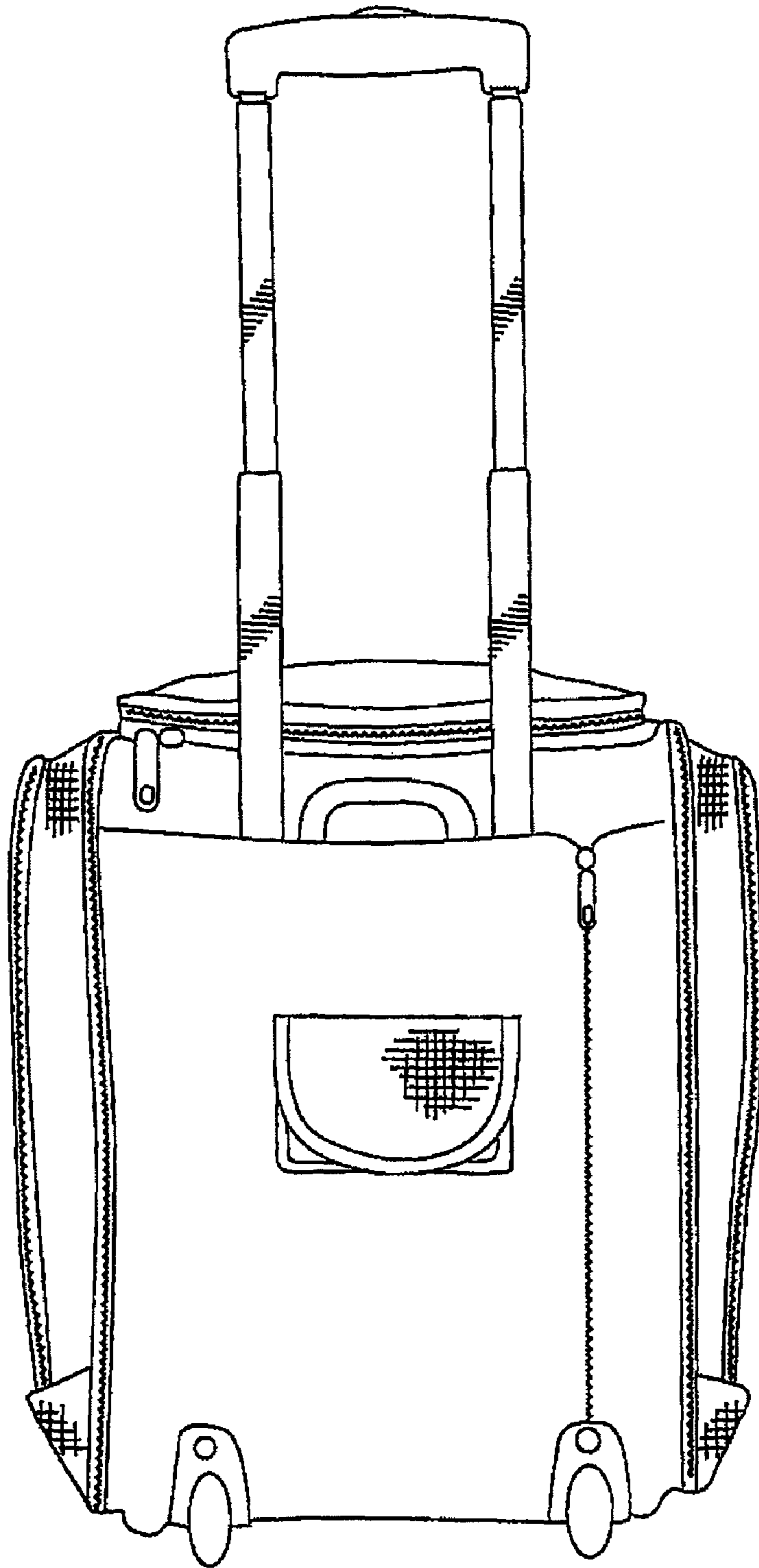


FIG. 10

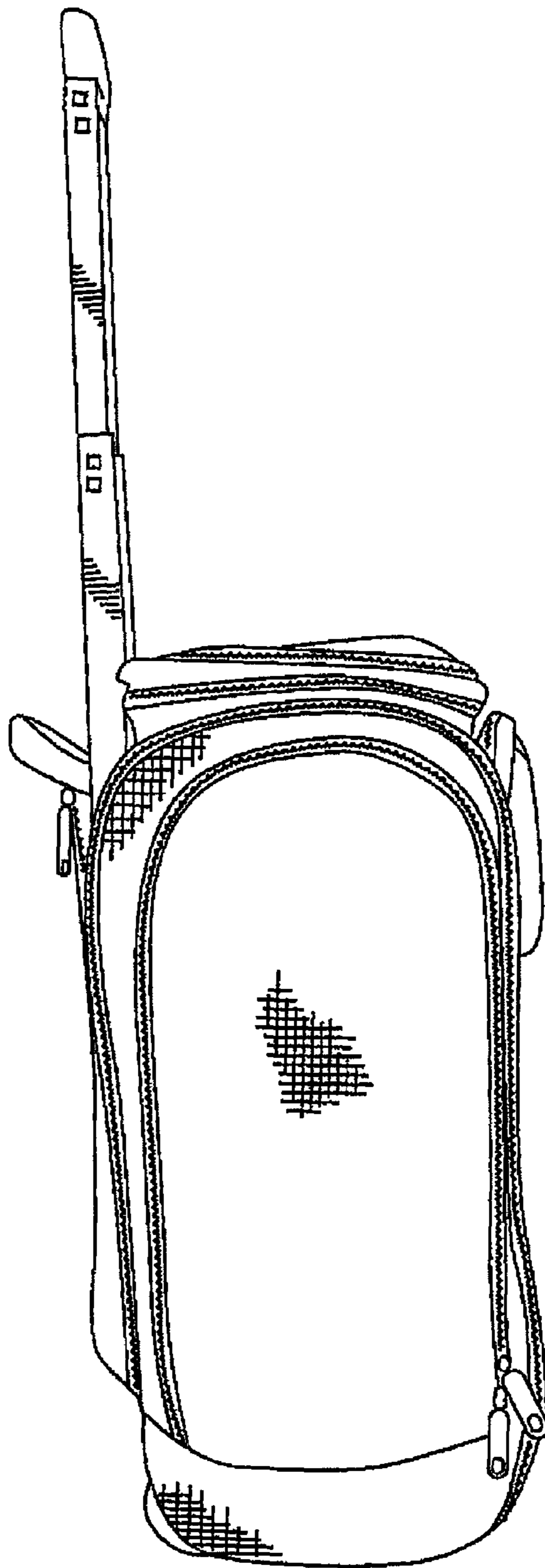


FIG. 11

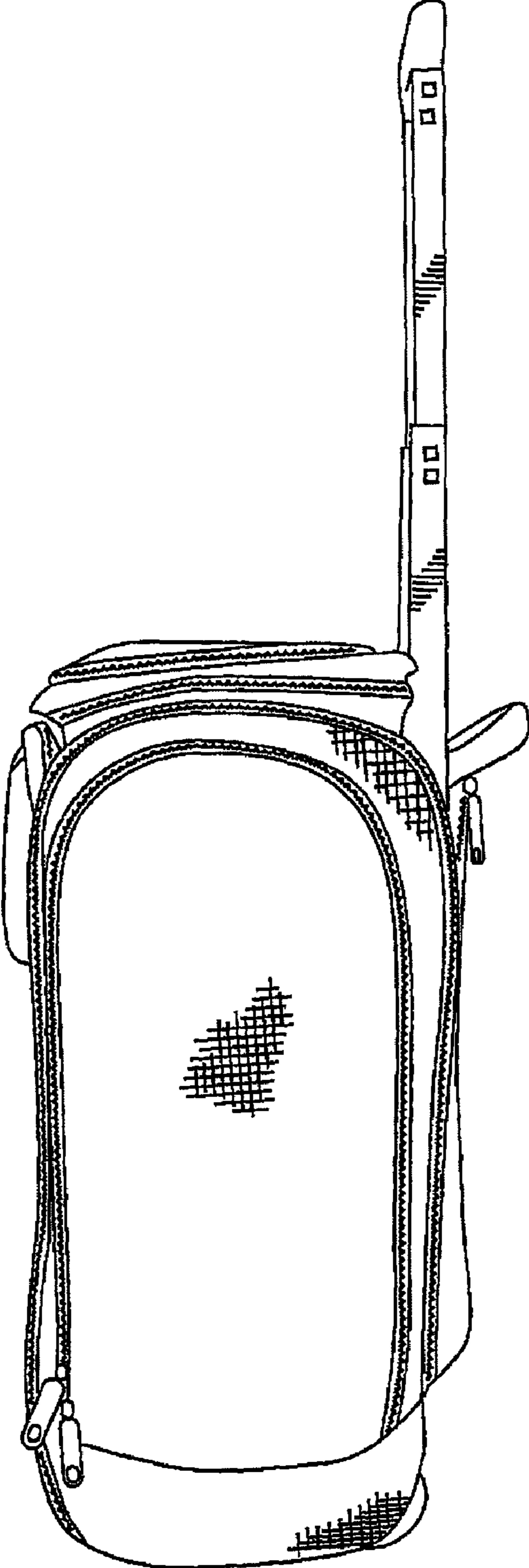


FIG. 12

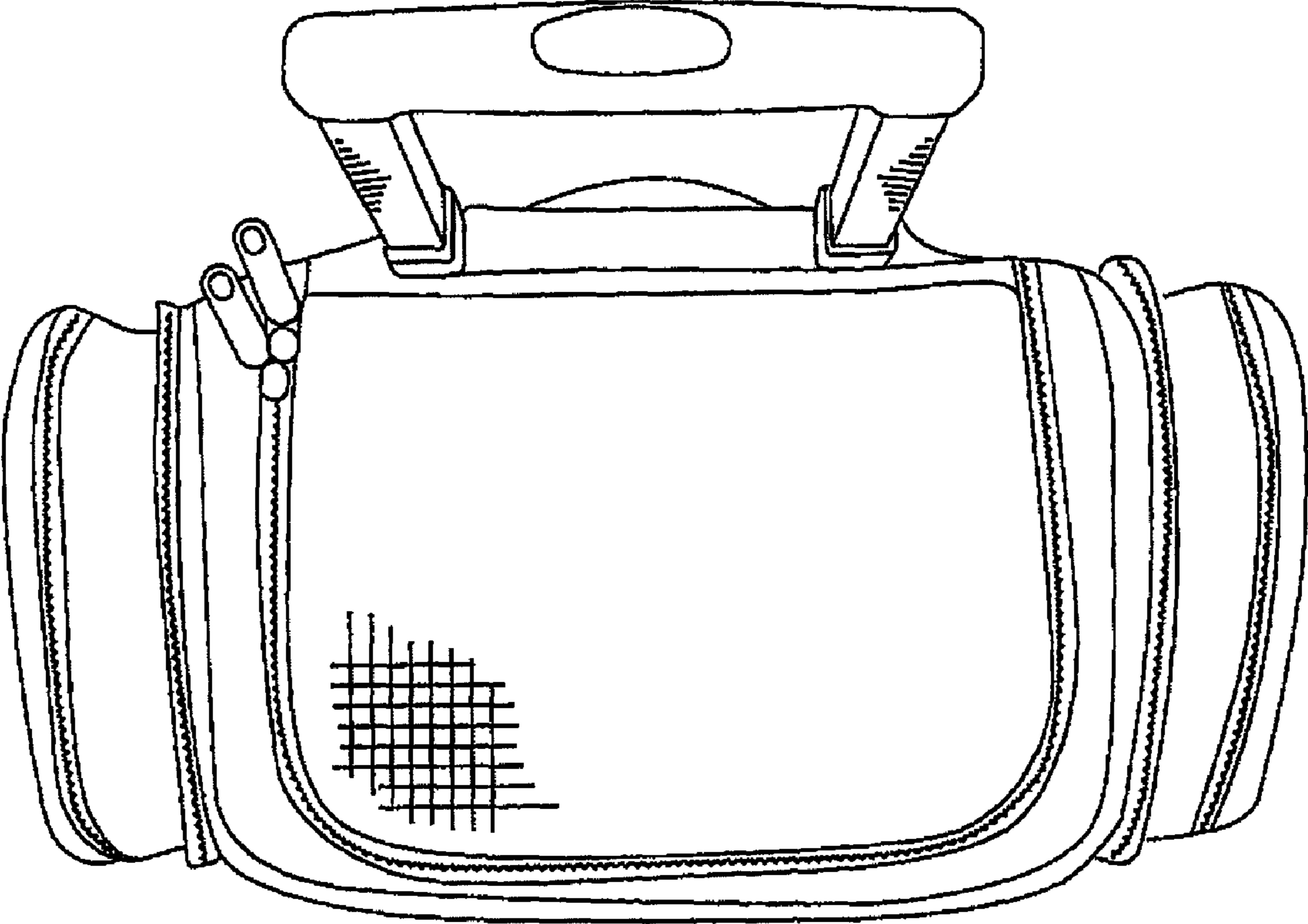


FIG. 13

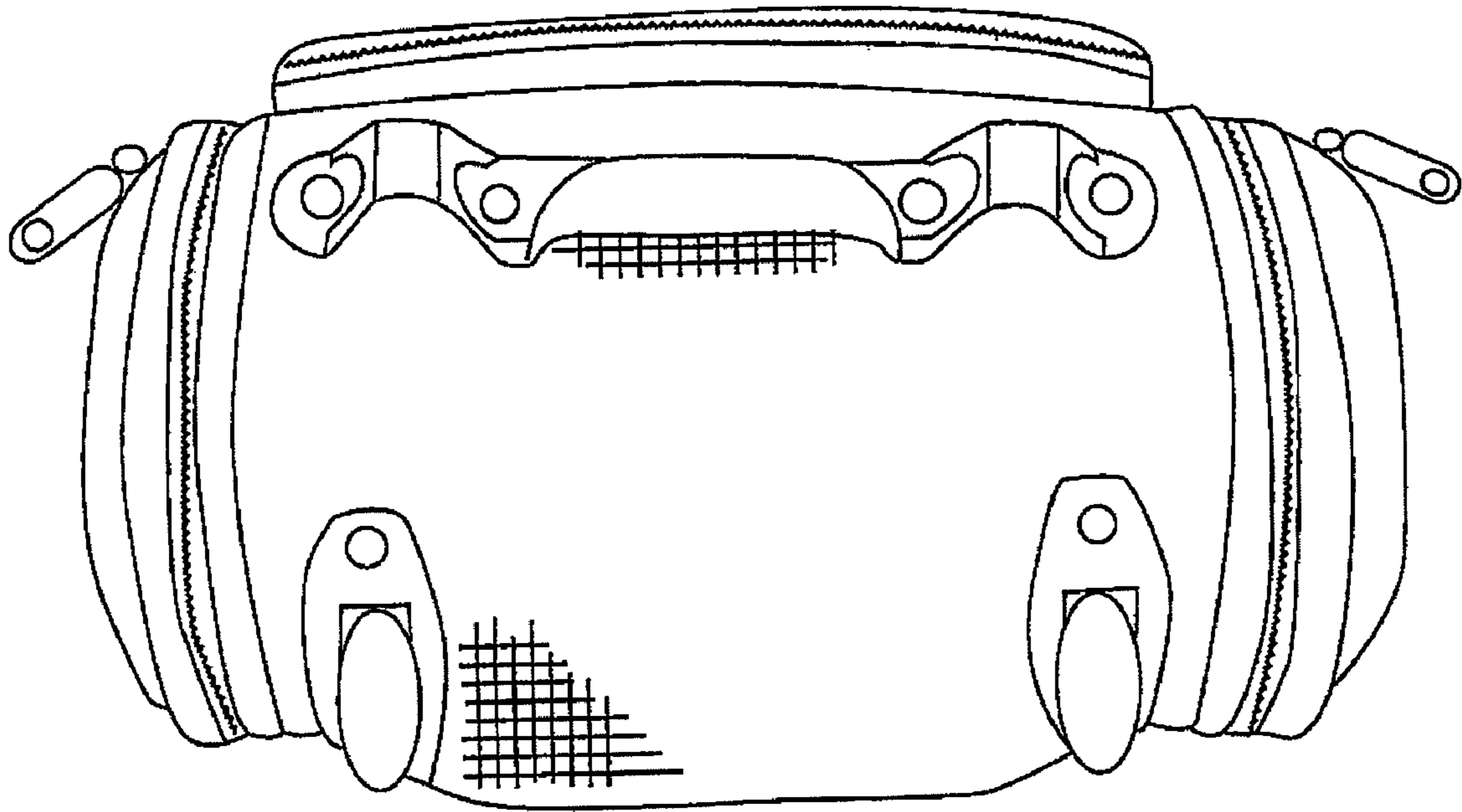


FIG. 14