



US00D643213S

(12) **United States Design Patent**  
**Hsiao et al.**

(10) **Patent No.:** **US D643,213 S**

(45) **Date of Patent:** **\*\* Aug. 16, 2011**

(54) **AUDIO EQUIPMENT CASE**

(76) Inventors: **John Hsiao**, Azusa, CA (US); **Mario Montano**, Azusa, CA (US)

(\*\*) **Term:** **14 Years**

(21) **Appl. No.:** **29/340,964**

(22) **Filed:** **Jul. 28, 2009**

(51) **LOC (9) Cl.** ..... **03-01**

(52) **U.S. Cl.** ..... **D3/272; D3/281**

(58) **Field of Classification Search** ..... 190/19,  
190/23, 24, 37, 39, 40; 217/57, 56, 17, 5;  
D6/440, 441; D3/272, 273, 276, 277, 281,  
D3/280, 291, 294; 312/100

See application file for complete search history.

(56) **References Cited**

**U.S. PATENT DOCUMENTS**

836,227	A *	11/1906	Walker et al. ....	190/37
2,626,025	A *	1/1953	Sherman .....	190/37
2,640,616	A *	6/1953	Clements .....	190/19
2,781,143	A *	2/1957	Lifton .....	190/37
D247,993	S *	5/1978	Calzone, III .....	D3/204
D414,037	S *	9/1999	Akaike et al. ....	D3/276
D419,766	S *	2/2000	Rekuc .....	D3/272

D497,252	S *	10/2004	Perella et al. ....	D3/294
D498,049	S *	11/2004	Perella et al. ....	D3/273
D503,503	S *	3/2005	Perella et al. ....	D99/28
D529,287	S *	10/2006	Perella et al. ....	D3/294
D562,048	S *	2/2008	Perella et al. ....	D6/632
D625,517	S *	10/2010	Rossi et al. ....	D3/272

\* cited by examiner

*Primary Examiner* — Jennifer Rivard

(74) *Attorney, Agent, or Firm* — Charles C. H. Wu; Wu & Cheung, LLP

(57) **CLAIM**

We claim the ornamental design for an audio equipment case, as shown and described.

**DESCRIPTION**

FIG. 1 is a front elevational view of an audio equipment case showing our design;

FIG. 2 is a rear elevational view thereof;

FIG. 3 is a top plan view thereof;

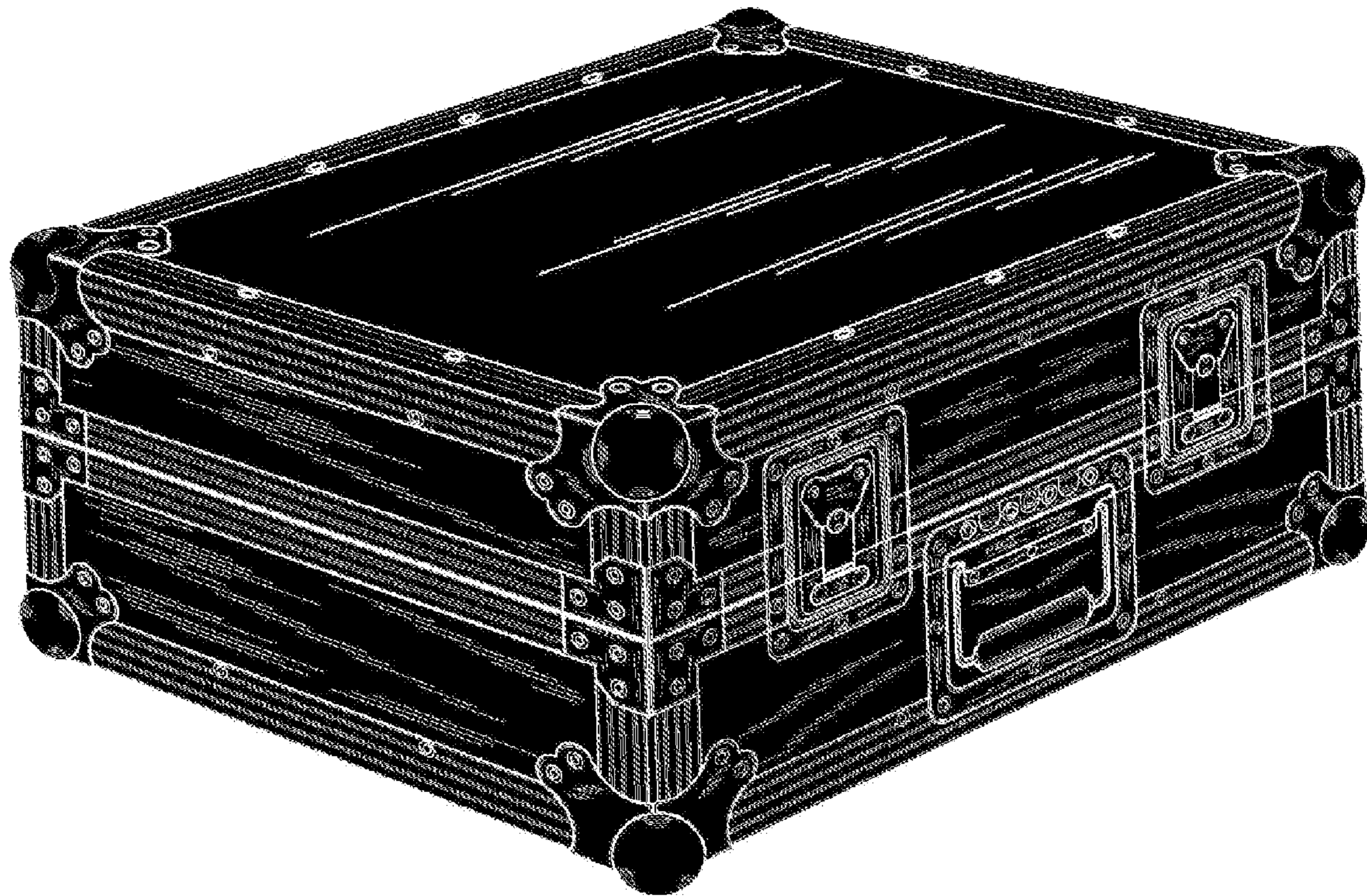
FIG. 4 is a bottom plan view thereof;

FIG. 5 is a left side elevational view thereof;

FIG. 6 is a right side elevational view thereof; and,

FIG. 7 is a perspective view thereof.

**1 Claim, 7 Drawing Sheets**



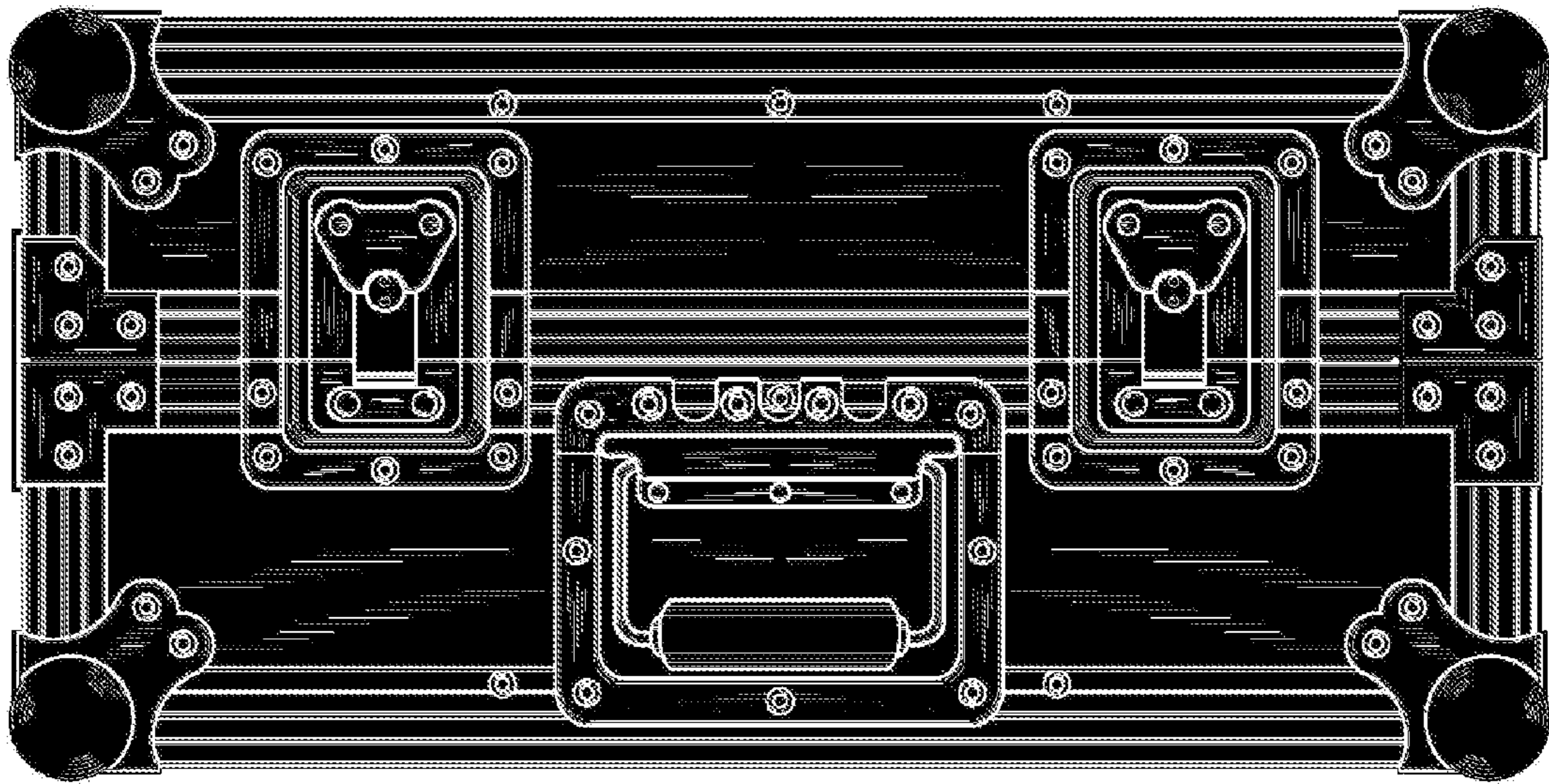


Figure 1

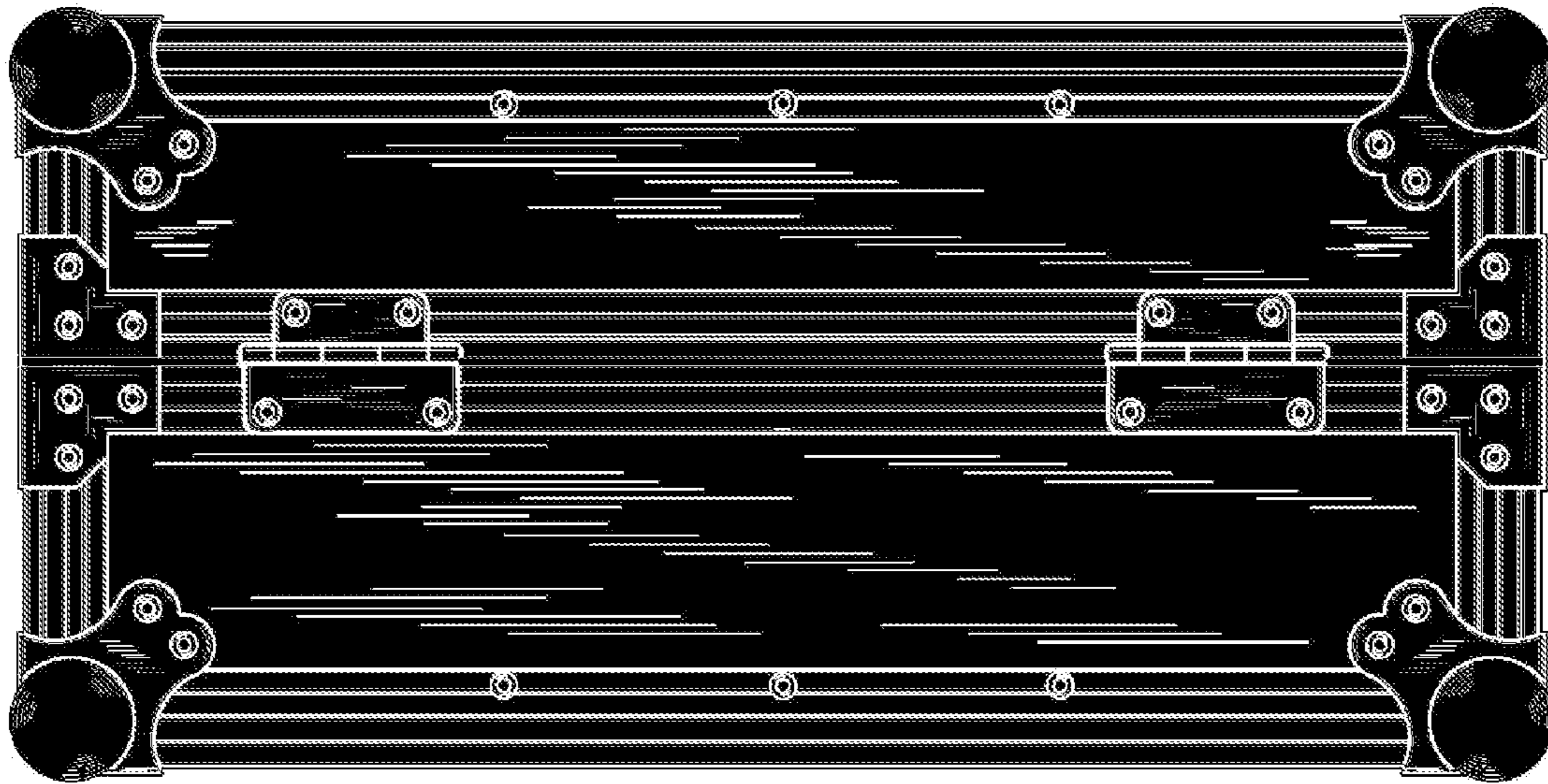


Figure 2

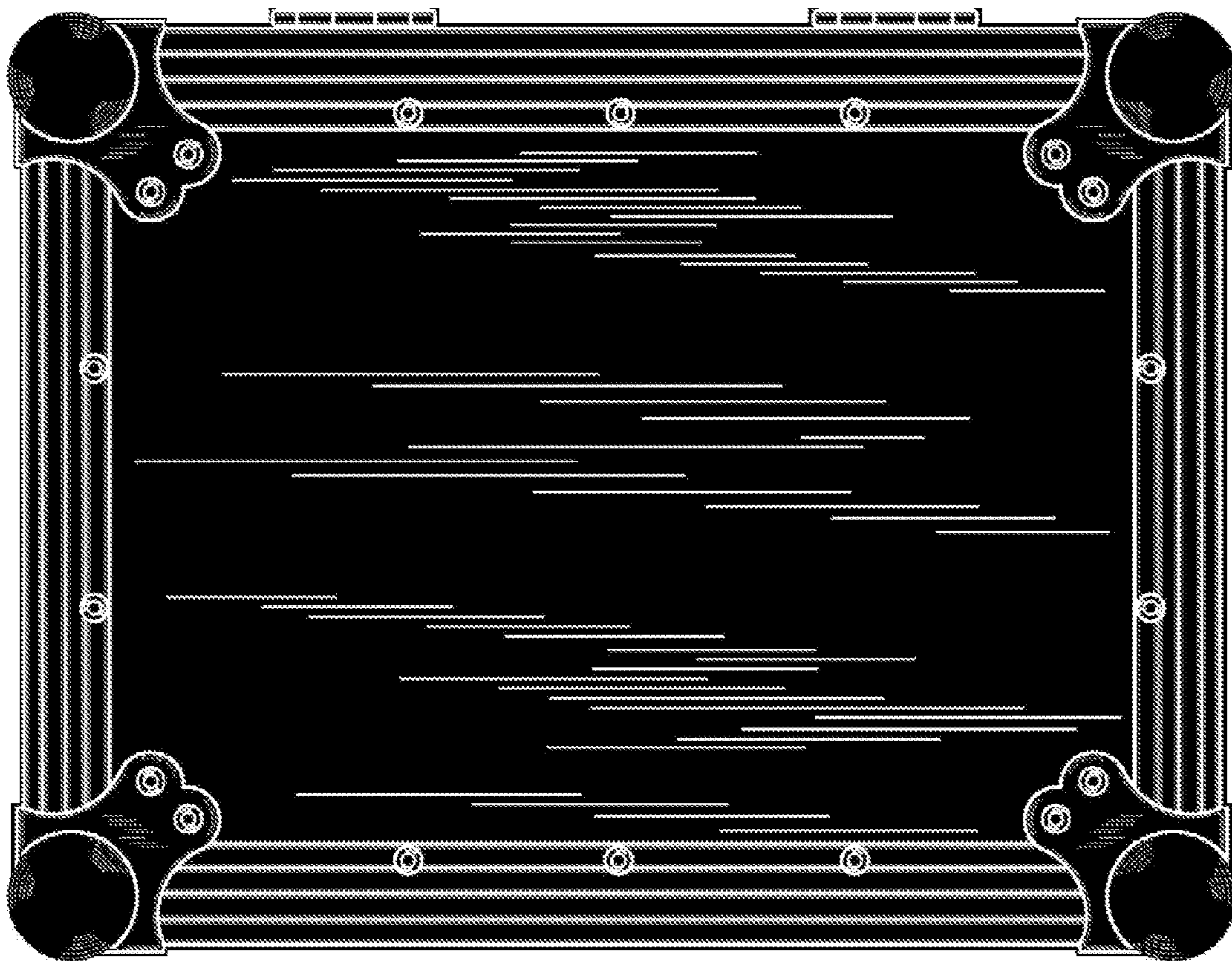


Figure 3

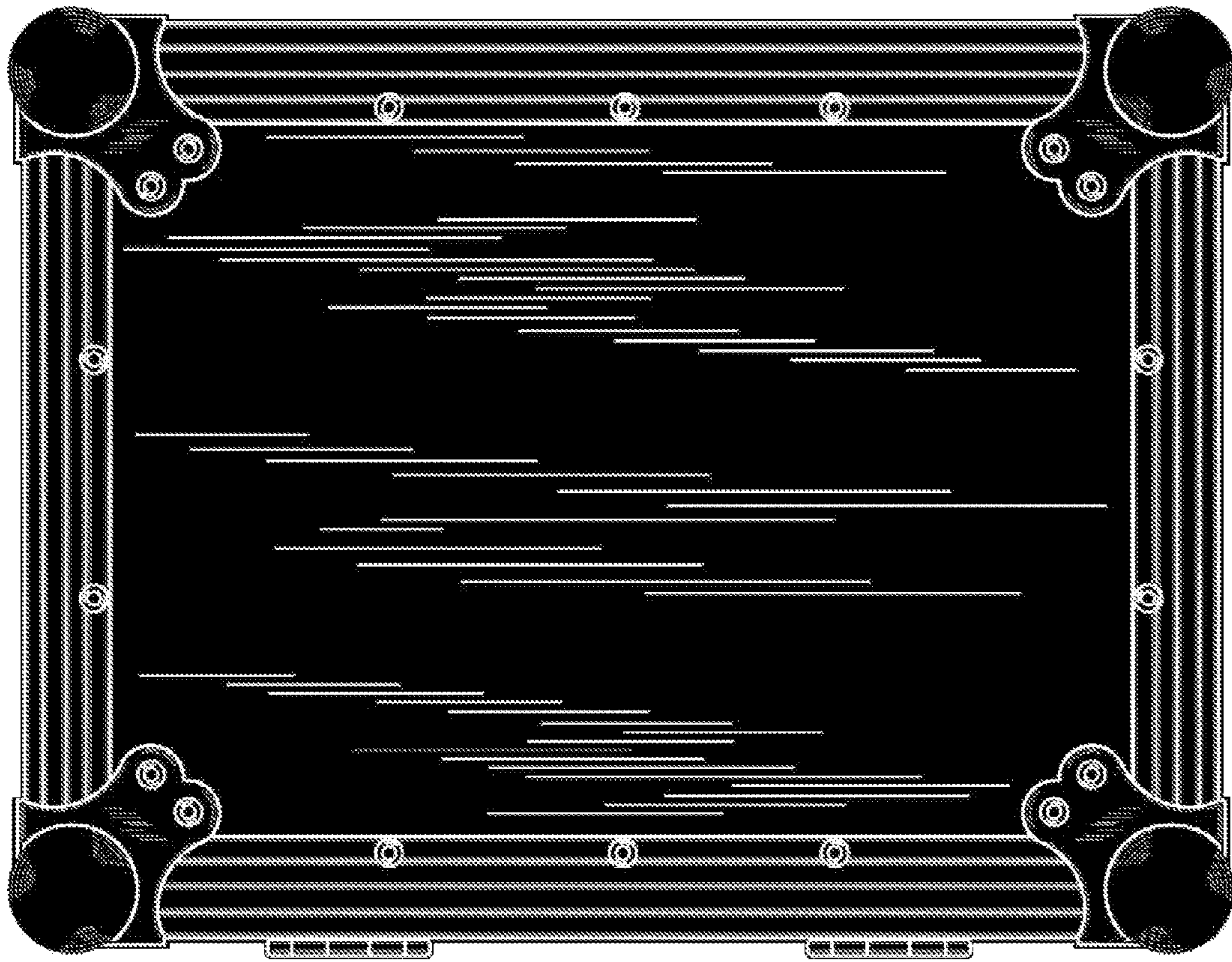


Figure 4

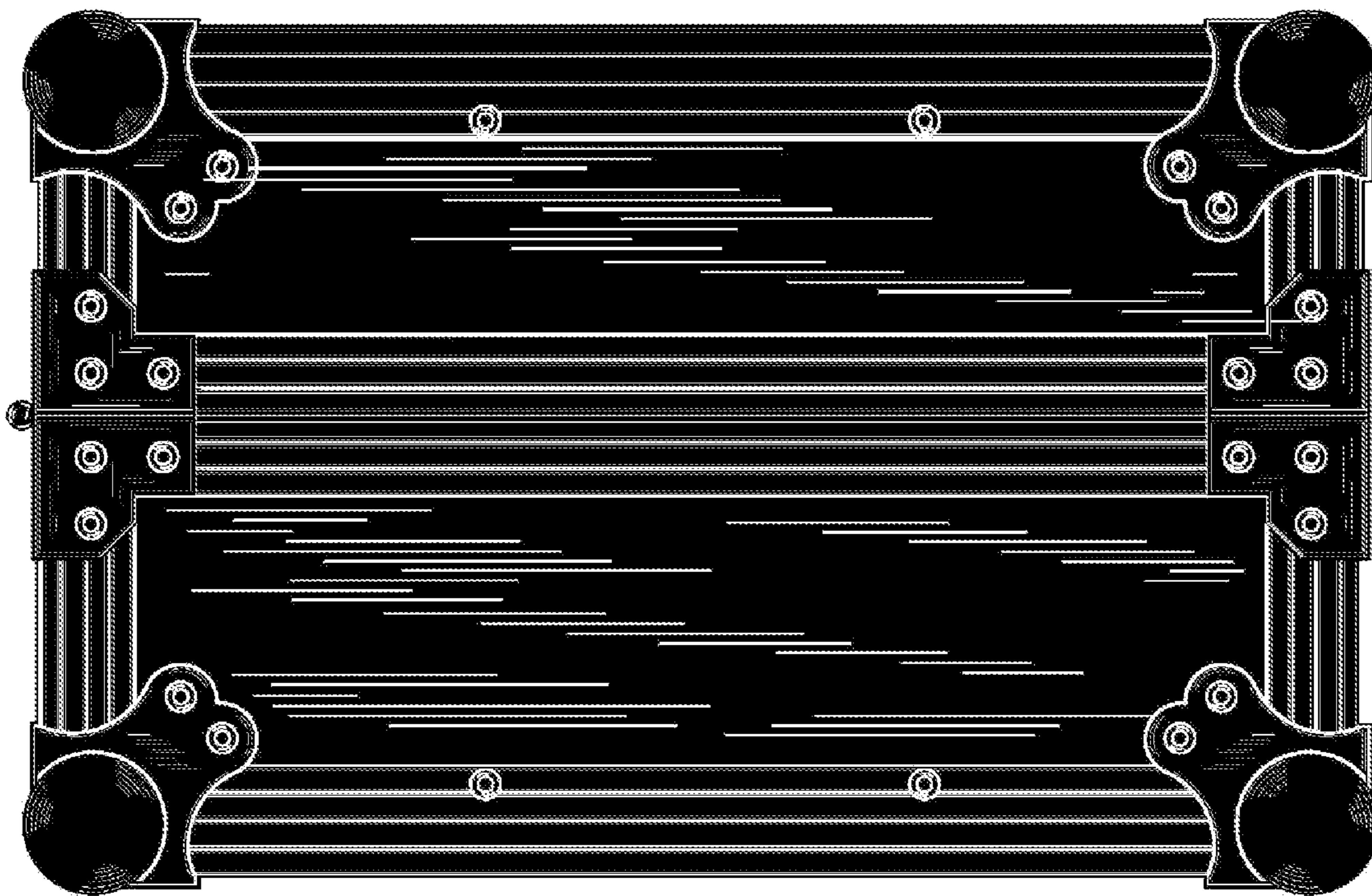


Figure 5

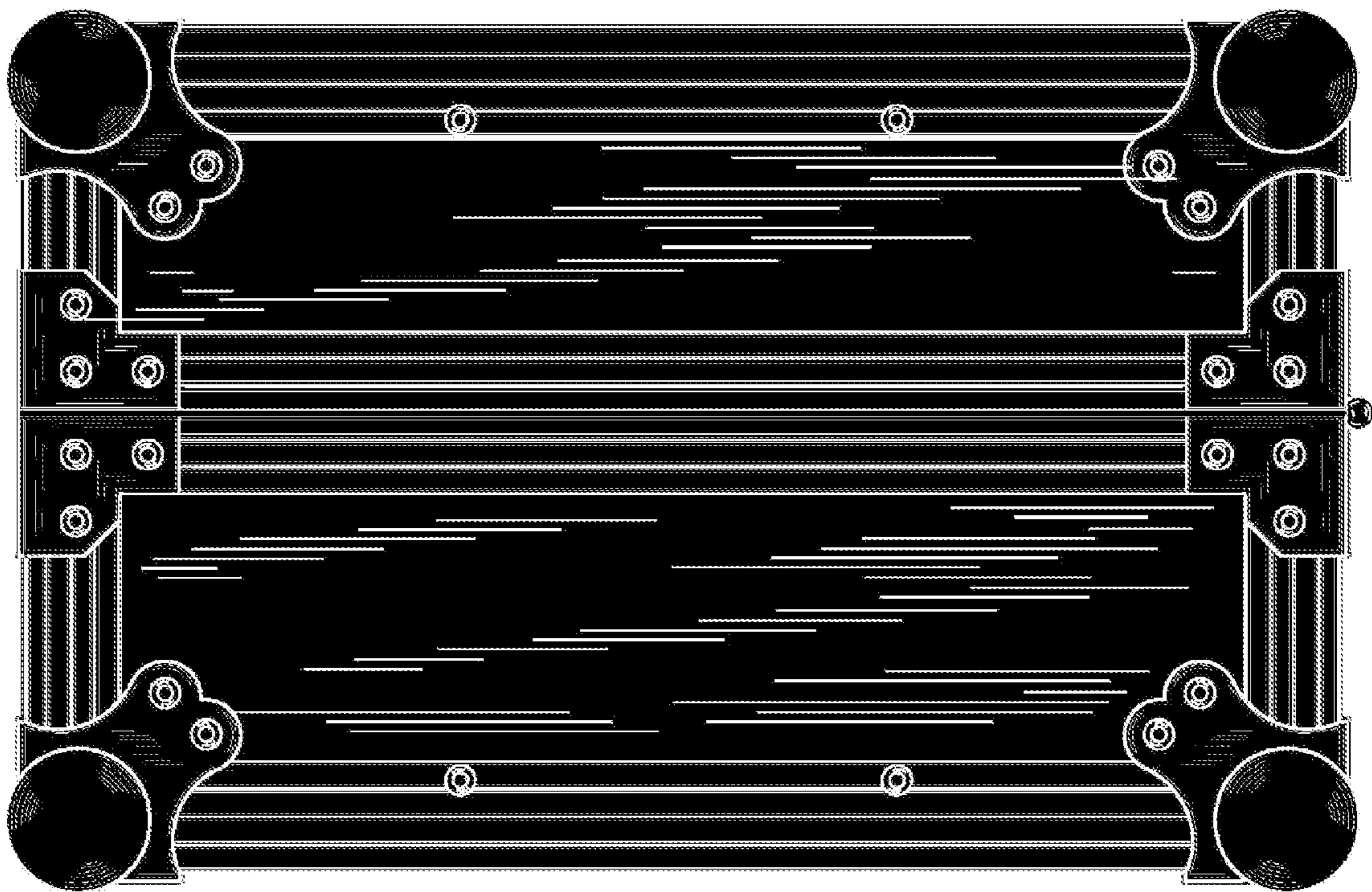


Figure 6

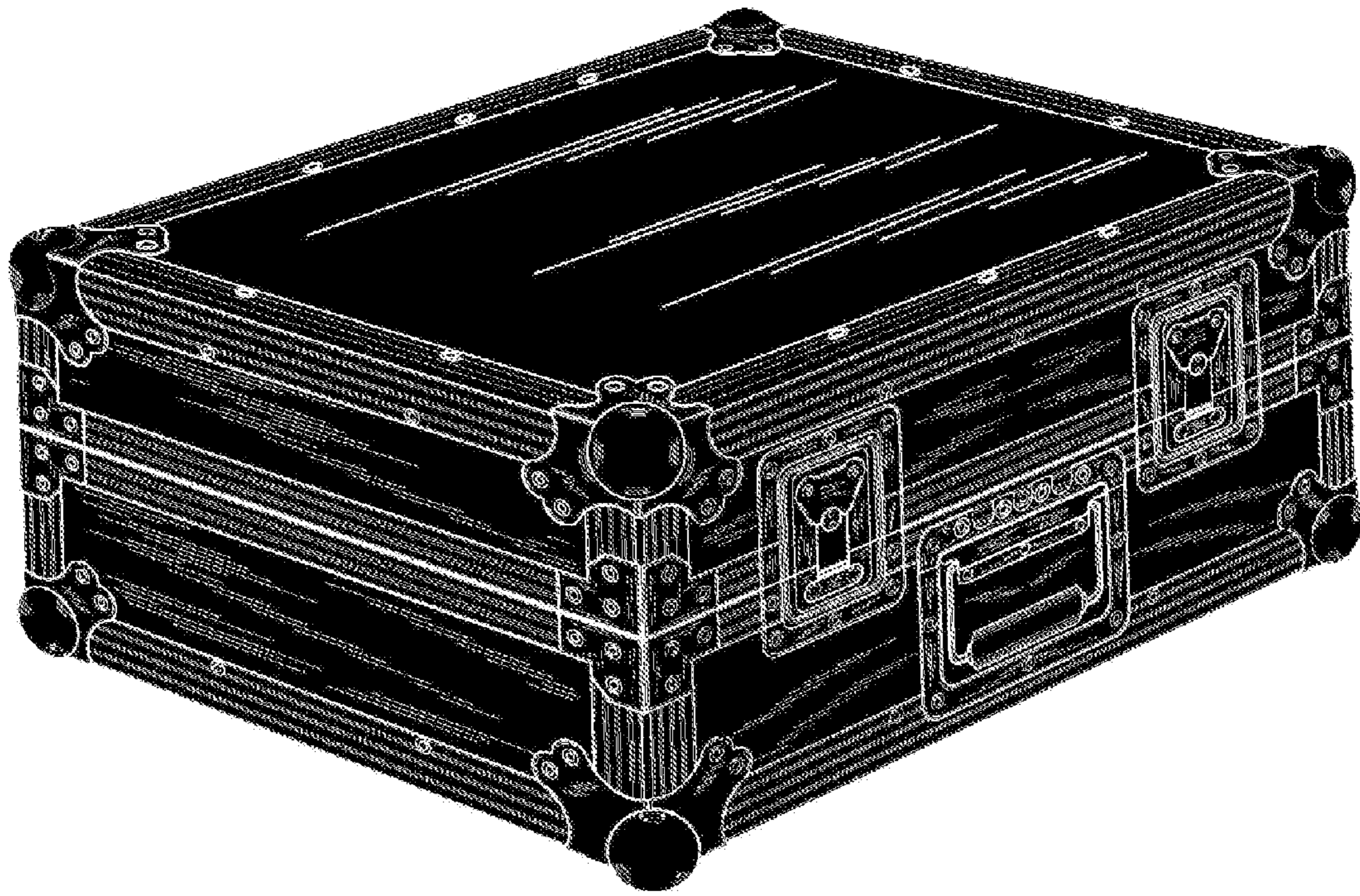


Figure 7