

US00D643209S

(12) **United States Design Patent**
Rein

(10) **Patent No.:** **US D643,209 S**

(45) **Date of Patent:** **** Aug. 16, 2011**

(54) **DENTAL STORAGE CONTAINER**

(76) **Inventor:** **Gary Rein**, New York, NY (US)

(**) **Term:** **14 Years**

(21) **Appl. No.:** **29/375,088**

(22) **Filed:** **Sep. 17, 2010**

(51) **LOC (9) Cl.** **03-01**

(52) **U.S. Cl.** **D3/203.1**

(58) **Field of Classification Search** D3/203.1-203.8,
D3/205, 272-273, 276; 206/528-540; D24/227;
D9/763, 767

See application file for complete search history.

(56) **References Cited**

U.S. PATENT DOCUMENTS

D543,691 S * 6/2007 Payne et al. D3/203.1

D563,094 S * 3/2008 Meyer-Hayoz D3/203.1

D631,649 S * 2/2011 Patenaude D3/203.1

* cited by examiner

Primary Examiner — Catheri Oliver

(74) *Attorney, Agent, or Firm* — Keith D. Nowak; Libby Babu Vayghese

(57) **CLAIM**

The ornamental design for a dental storage container substantially, as shown and described.

DESCRIPTION

FIG. 1 is a perspective view of a dental storage container in a closed position;

FIG. 2 is a top view thereof;

FIG. 3 is a bottom view thereof;

FIG. 4 is a front elevation view thereof, the rear, left and right side elevation views being identical thereto;

FIG. 5 is an exploded view thereof;

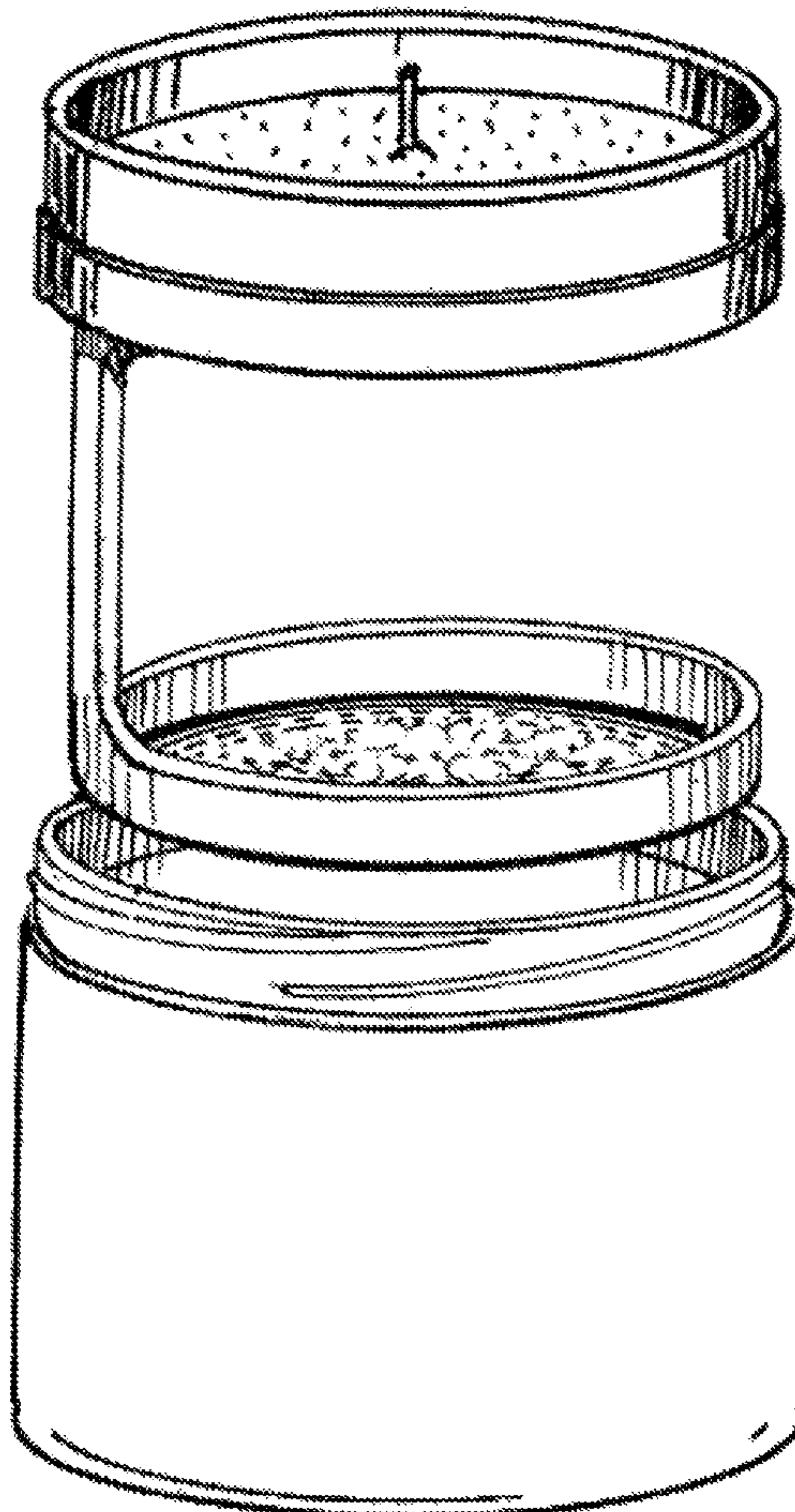
FIG. 6 is a perspective view of the dental storage container in an open position showing a dental tray over a base, where broken line representations of the tray are for illustration purposes only and form no part of the claimed design;

FIG. 7 is a top view of the dental tray;

FIG. 8 is a bottom view of the dental tray, where broken line representations of the tray are for illustration purposes only and form no part of the claimed design; and,

FIG. 9 is the environmental perspective view of the present invention as shown in FIG. 6, where broken line representations of the tray and dentures are for illustration purposes only and form no part of the claimed design.

1 Claim, 7 Drawing Sheets



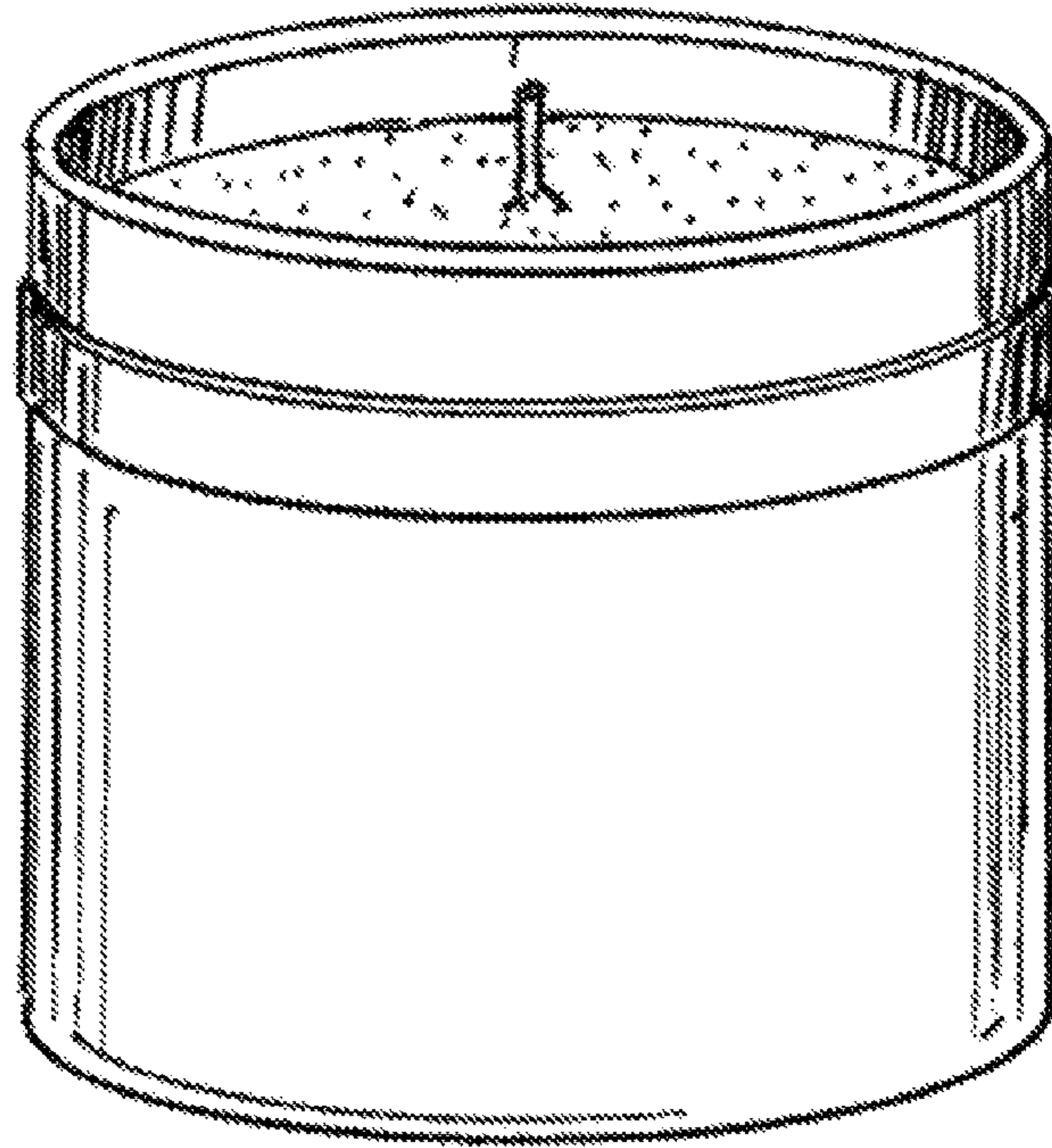


FIG.1

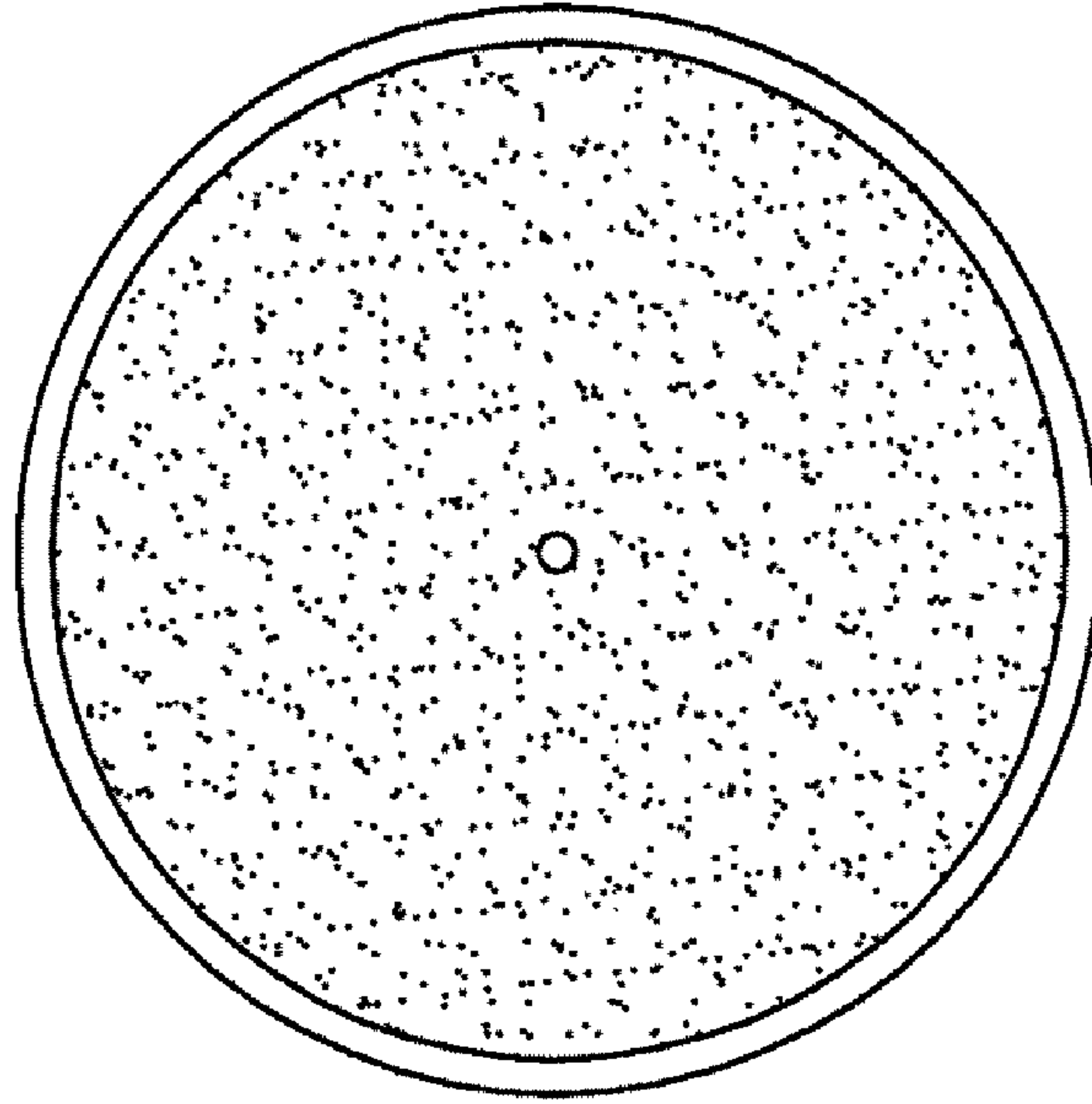


FIG. 2

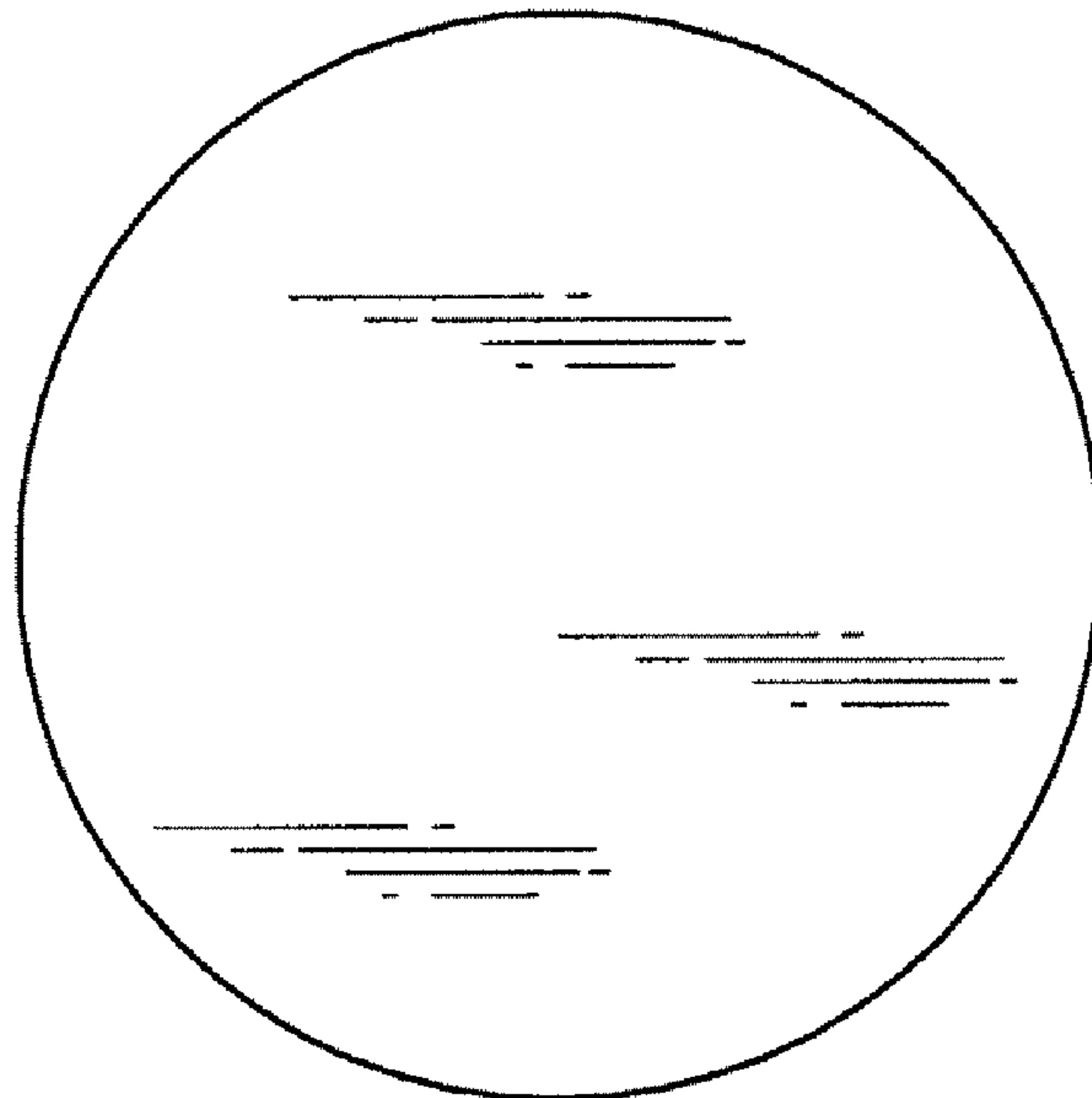


FIG. 3

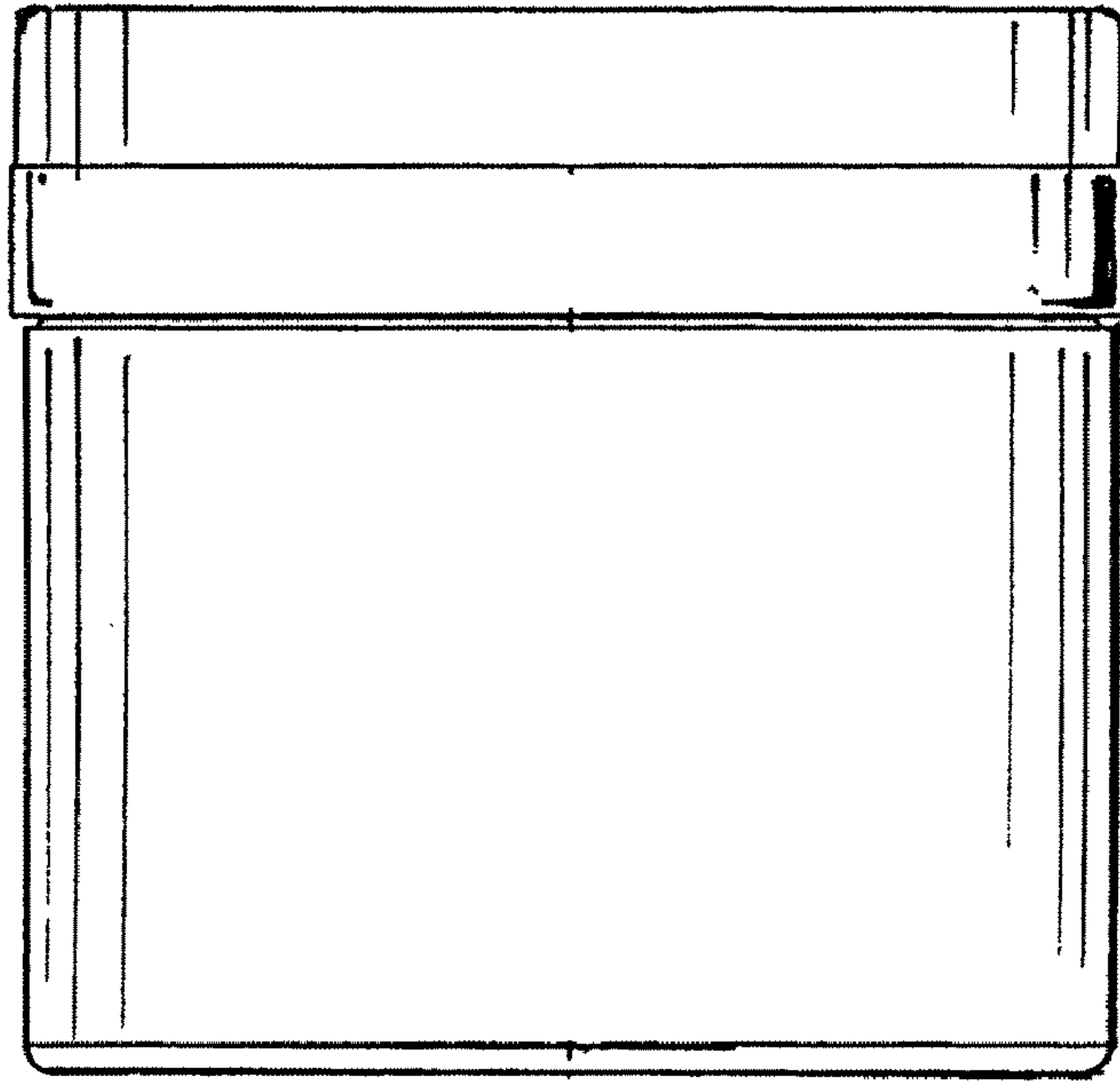


FIG.4

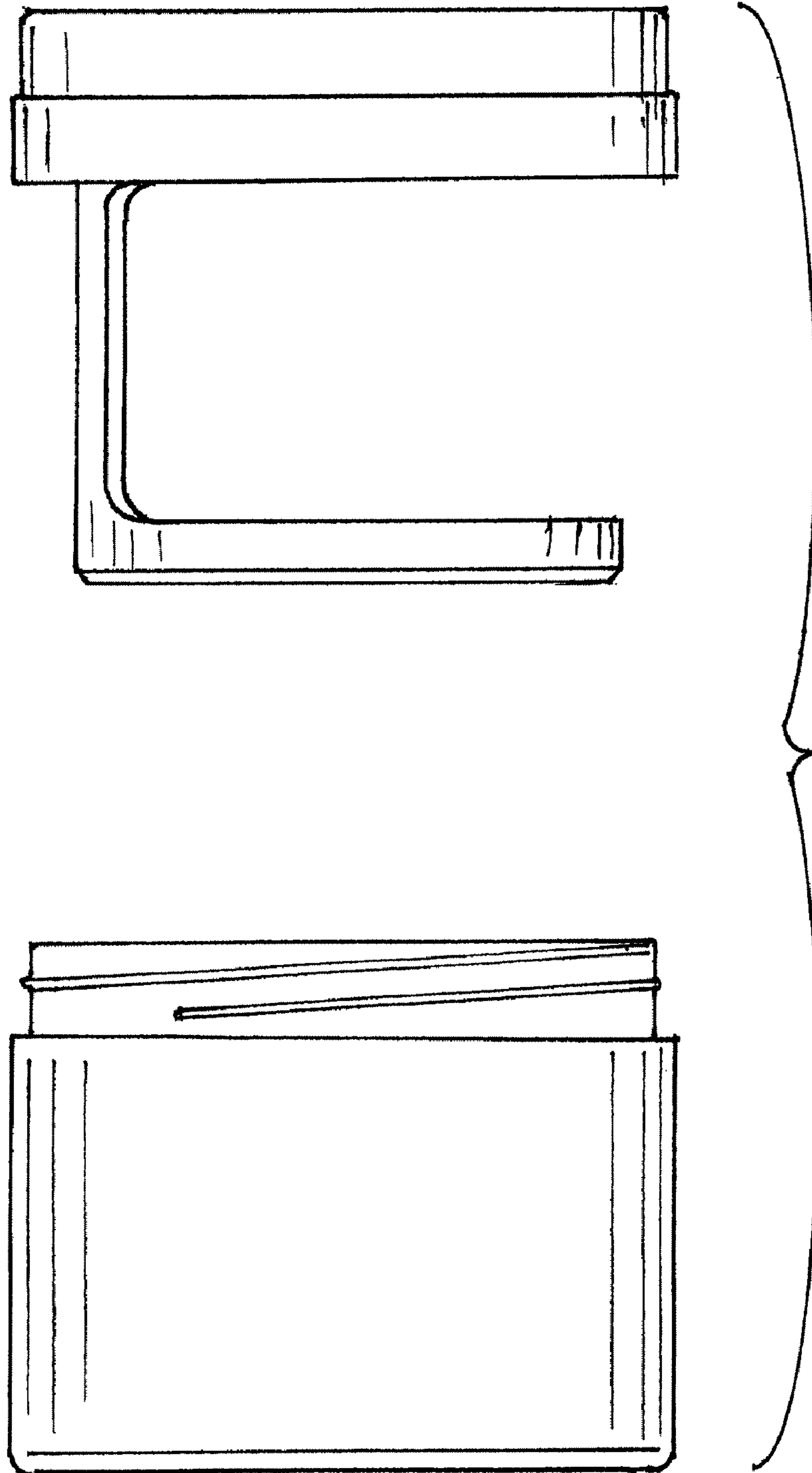


FIG.5

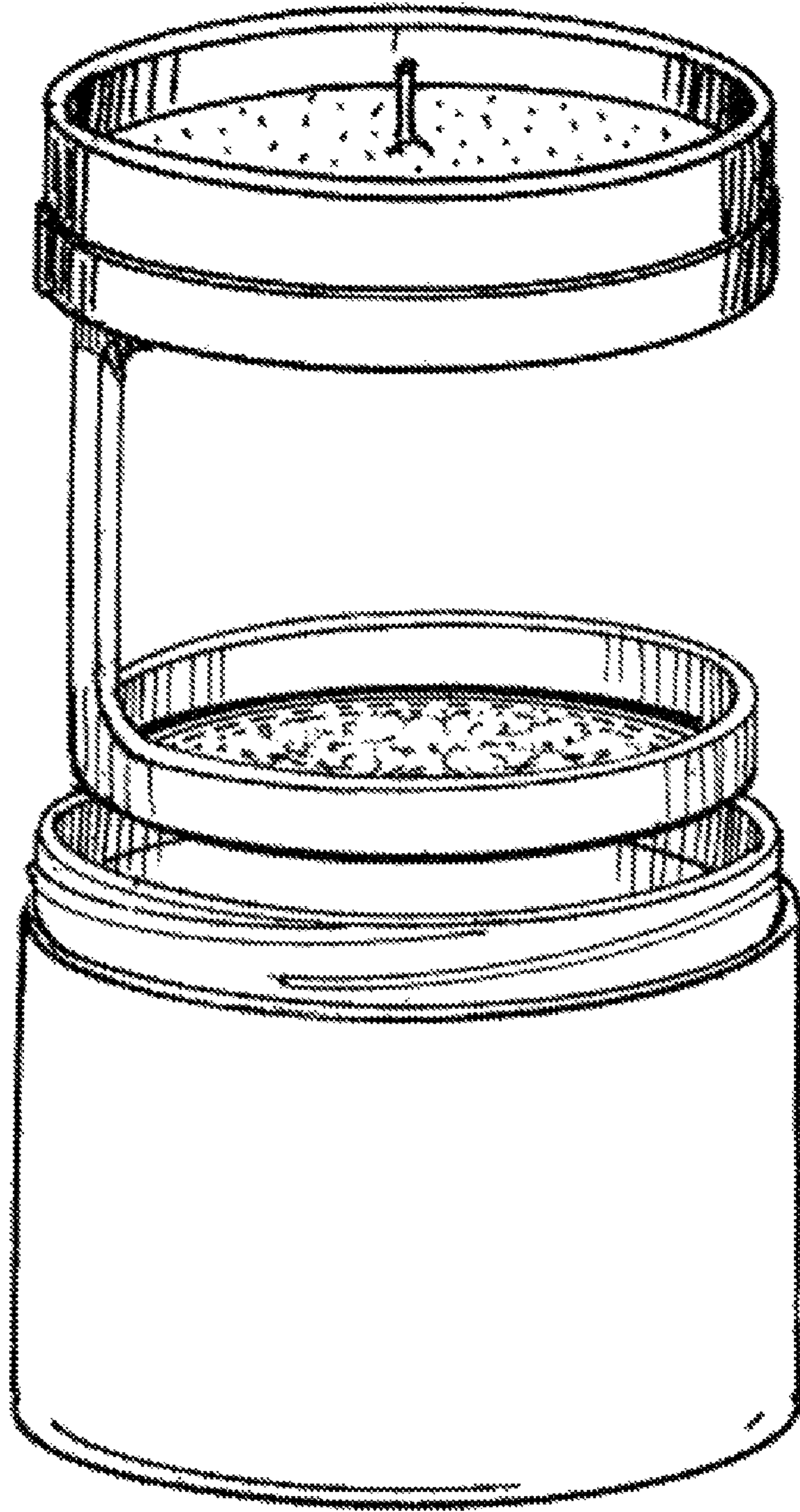


FIG.6

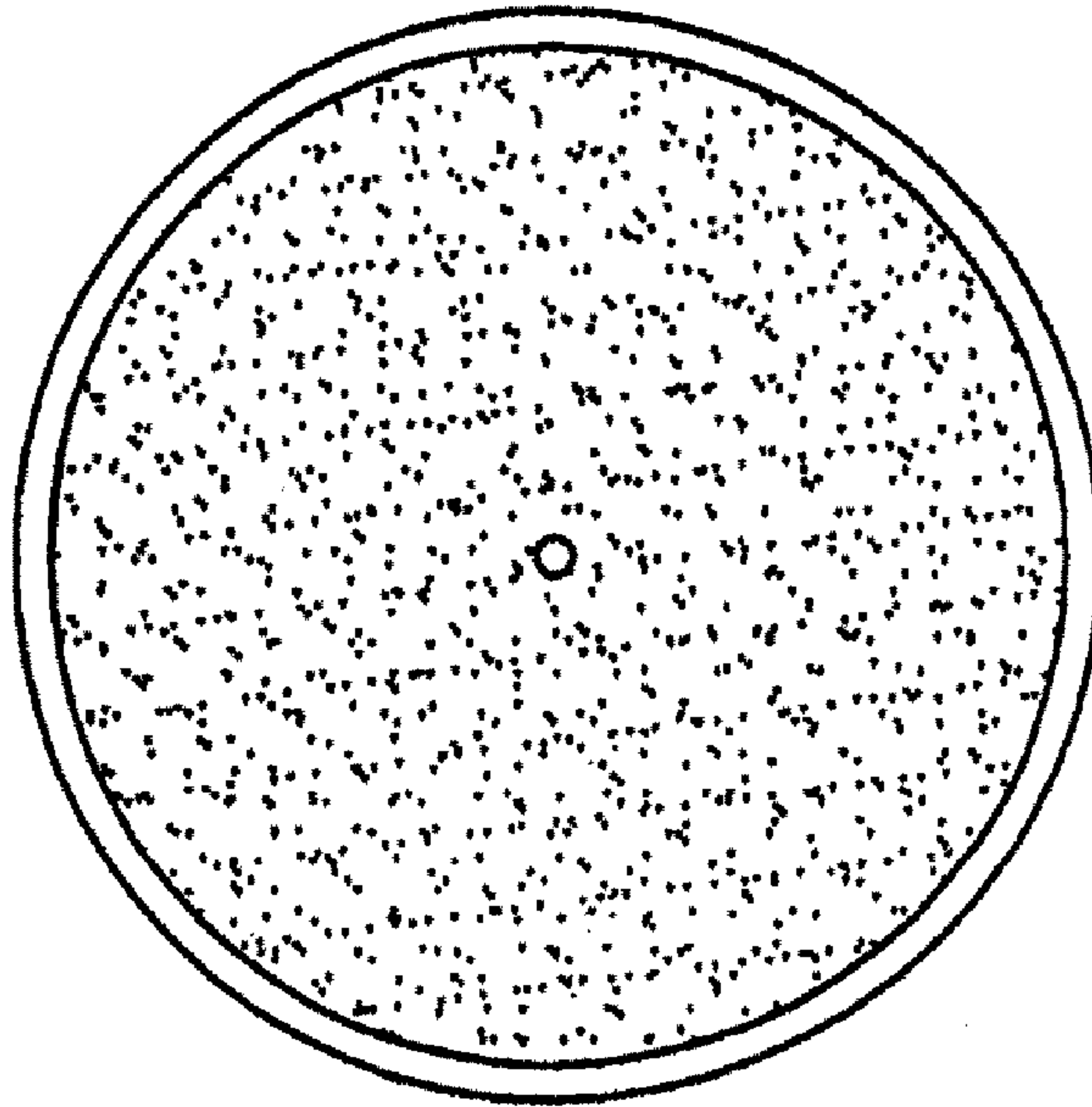


FIG. 7

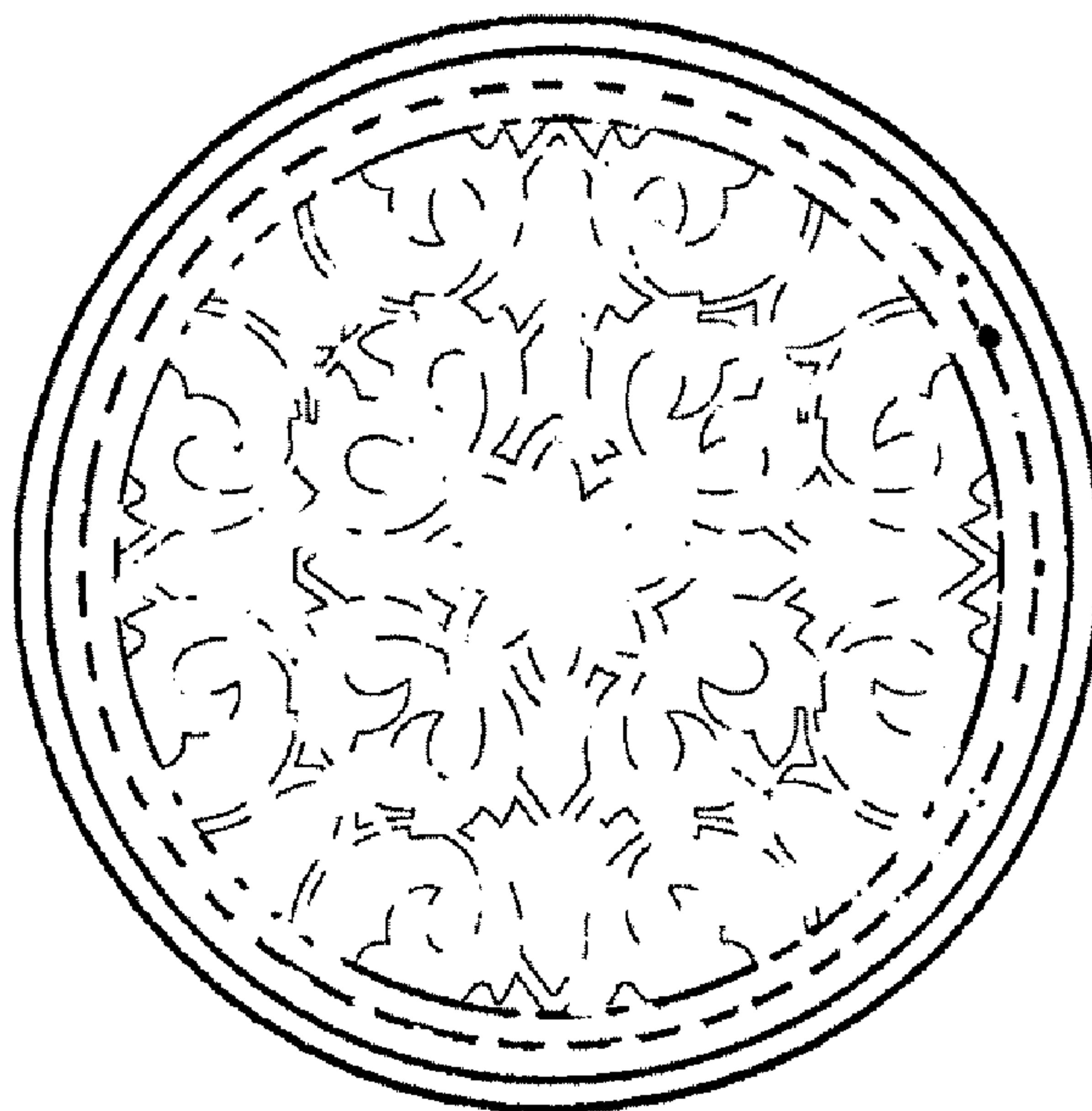


FIG. 8

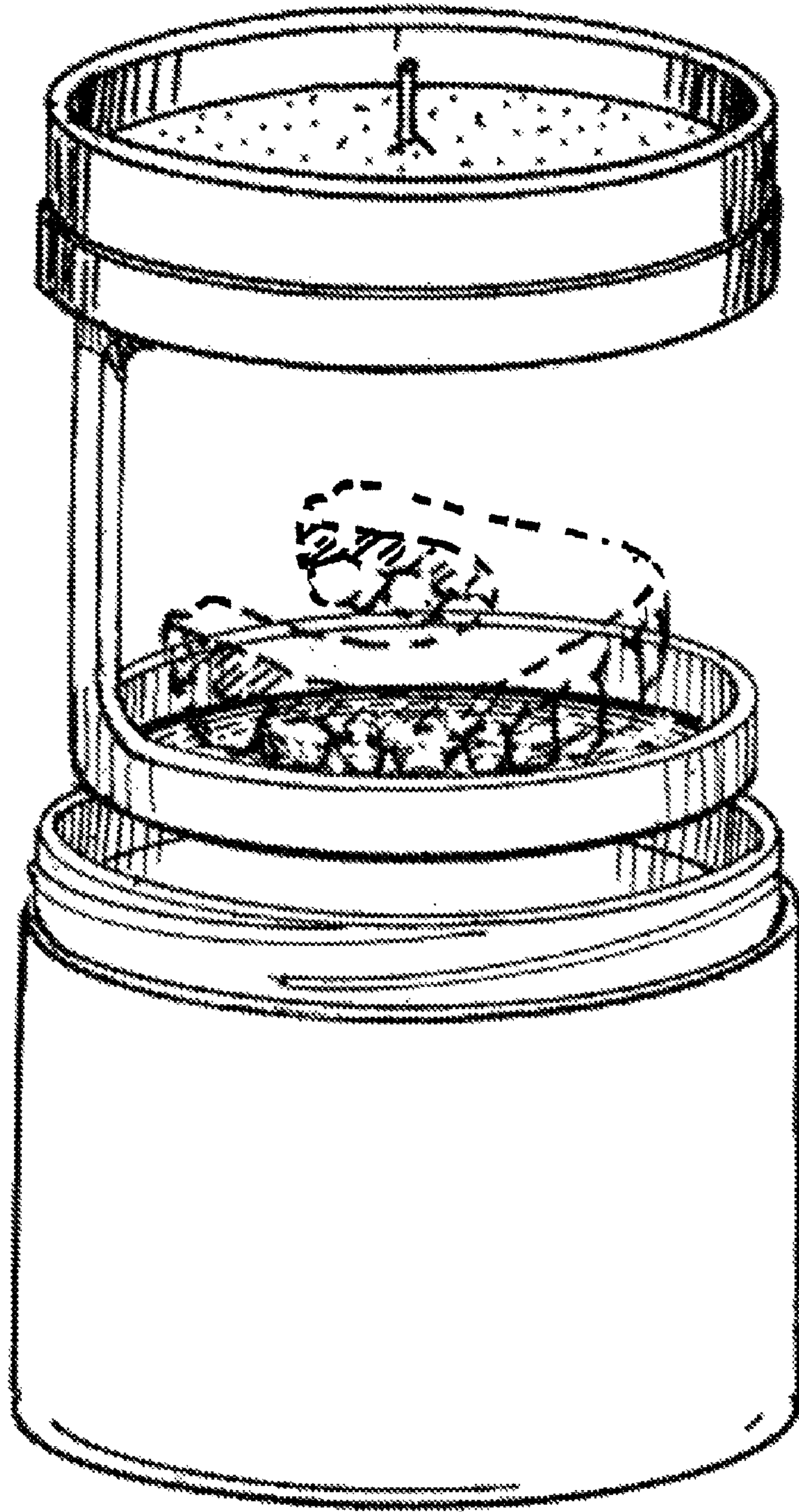


FIG.9