

US00D643197S

(12) **United States Design Patent**
Teteriatnikov

(10) **Patent No.:** **US D643,197 S**

(45) **Date of Patent:** **** Aug. 16, 2011**

(54) **SHOE BOTTOM**

(75) Inventor: **Savva Teteriatnikov**, Marina del Rey,
CA (US)

(73) Assignee: **SKECHERS U.S.A., Inc. II**, Manhattan
Beach, CA (US)

(**) Term: **14 Years**

(21) Appl. No.: **29/388,596**

(22) Filed: **Mar. 30, 2011**

(51) **LOC (9) Cl.** **02-04**

(52) **U.S. Cl.** **D2/960; D2/951**

(58) **Field of Classification Search** D2/902,
D2/906, 908, 916, 918, 925, 946-962, 977;
36/3 B, 22 R, 24.5, 25 R, 28, 32 R, 34 R,
36/59 C, 67 A, 103

See application file for complete search history.

(56) **References Cited**

U.S. PATENT DOCUMENTS

981,154 A *	1/1911	Austin	36/17 R
2,470,200 A *	5/1949	Wallach	36/33
D259,595 S	6/1981	Famolare, Jr.	
4,364,190 A *	12/1982	Yonkers	36/32 R
D281,641 S	12/1985	Shiki	
D291,147 S *	8/1987	Kelley et al.	D2/957
4,785,557 A *	11/1988	Kelley et al.	36/32 R
4,827,631 A *	5/1989	Thornton	36/102
5,216,824 A *	6/1993	Blissett et al.	36/28
D378,318 S *	3/1997	James	D2/953
D388,597 S *	1/1998	Gavigan	D2/960
D392,445 S	3/1998	Tresser	
D394,143 S *	5/1998	Sink	D2/960
D396,549 S	8/1998	von Conta et al.	
D399,345 S *	10/1998	Koh	D2/960
D401,744 S	12/1998	Greenberg	
D404,549 S *	1/1999	Greenberg	D2/956
5,983,525 A *	11/1999	Brown	36/3 B
D460,247 S	7/2002	Liu et al.	
D482,187 S	11/2003	McClaskie	

D489,884 S *	5/2004	Recchi	D2/960
D490,225 S *	5/2004	McClaskie	D2/960
D492,840 S *	7/2004	Hearn	D2/923
D503,028 S *	3/2005	Merceron	D2/953
D514,288 S *	2/2006	Burg	D2/960
D515,787 S *	2/2006	Woods	D2/902
D516,782 S *	3/2006	Robbins et al.	D2/956
D533,708 S *	12/2006	Earle	D2/956
D546,033 S *	7/2007	Matis et al.	D2/952
D548,436 S *	8/2007	Wolff	D2/956
D565,283 S *	4/2008	Smith et al.	D2/907
D568,594 S *	5/2008	Ringholz	D2/957
D570,080 S *	6/2008	Feller et al.	D2/959
D576,394 S *	9/2008	Heller	D2/951
D584,887 S *	1/2009	Earle	D2/960
D590,138 S	4/2009	Cofinco	
D590,579 S	4/2009	Cofinco	
D593,742 S *	6/2009	Issler	D2/960
D597,289 S *	8/2009	Chang	D2/960
D602,237 S *	10/2009	Roundhouse	D2/960

(Continued)

Primary Examiner — T. Chase Nelson

(74) *Attorney, Agent, or Firm* — Marshall A. Lerner; Marvin
H. Kleinberg; Kleinberg & Lerner, LLP

(57) **CLAIM**

The ornamental design for a shoe bottom, as shown and
described.

DESCRIPTION

FIG. 1 is a perspective view of a shoe bottom embodying my
new design.

FIG. 2 is a bottom plan view thereof;

FIG. 3 is a left side view thereof;

FIG. 4 is a right side view thereof;

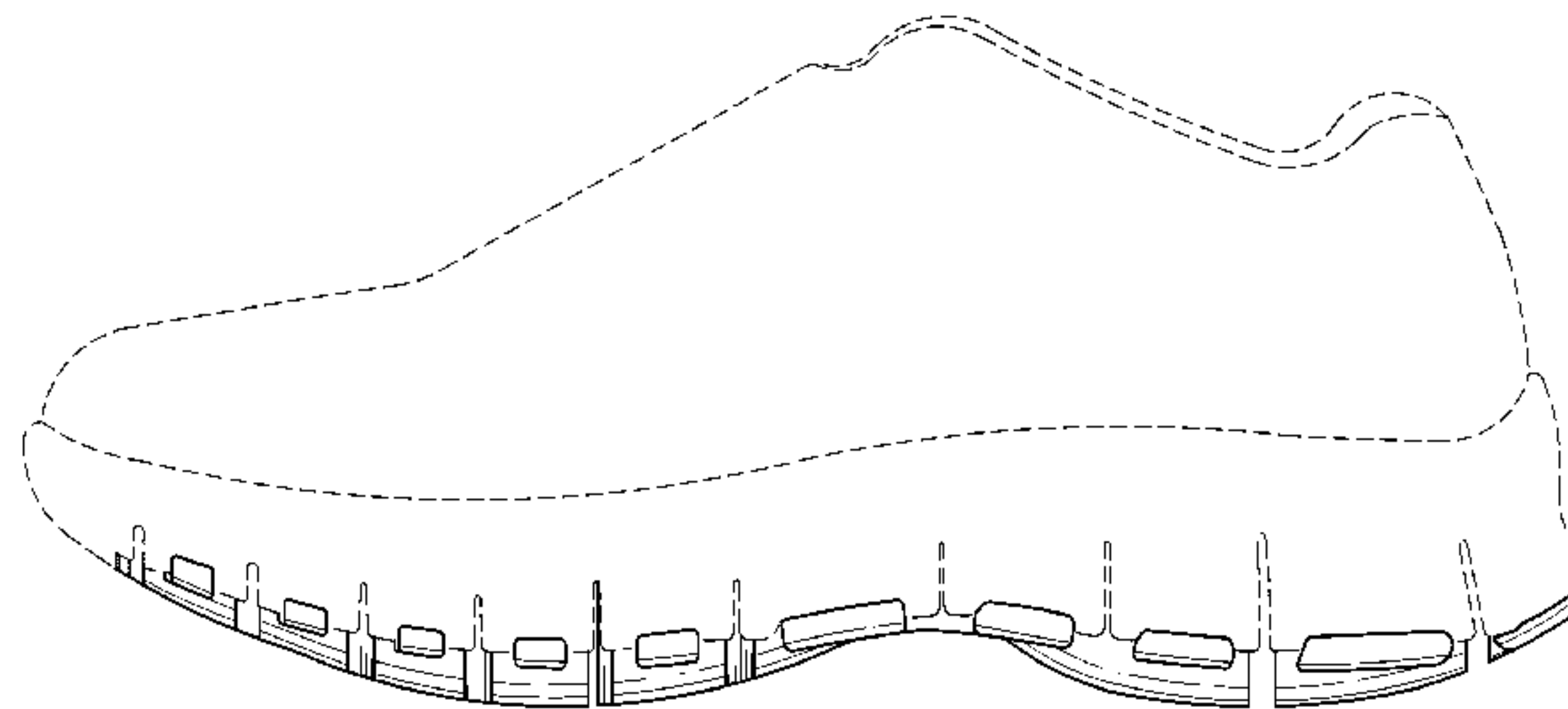
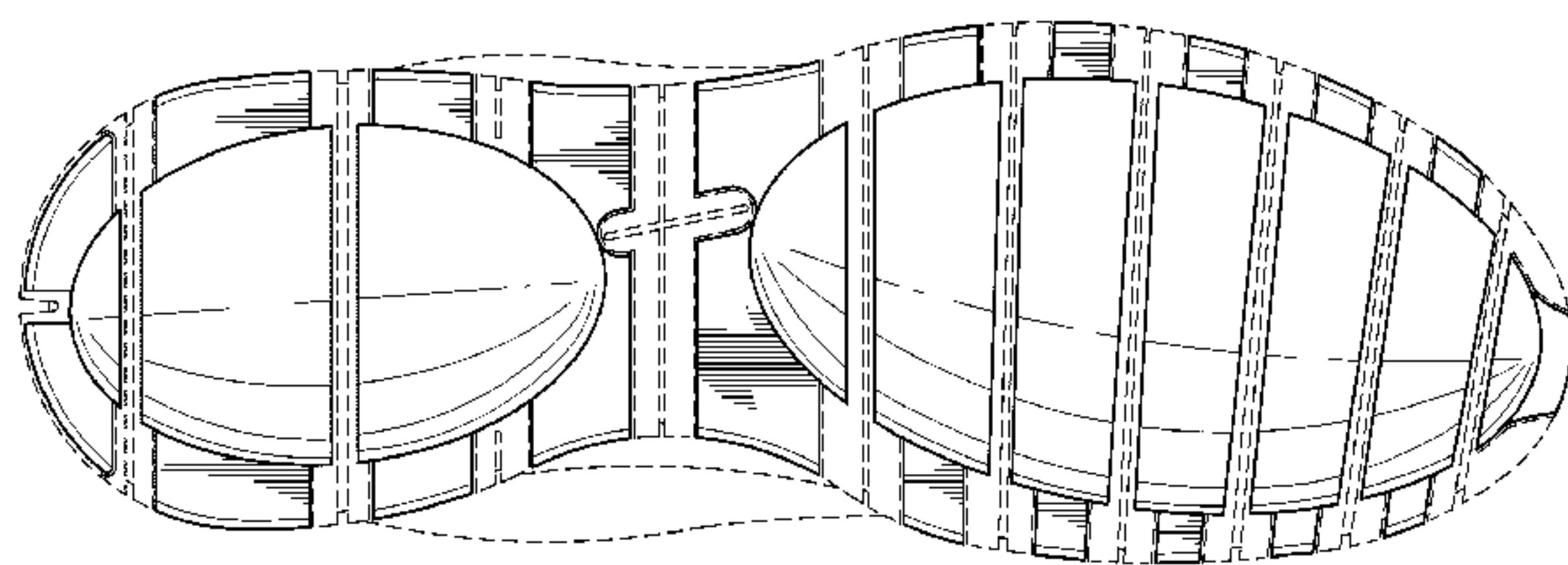
FIG. 5 is a rear elevation view thereof;

FIG. 6 is a front elevation view thereof; and,

FIG. 7 is a top plan view thereof.

Broken lines showing the remainder of the shoe in the figures
are for illustrative purposes only and form no part of the
claimed invention.

1 Claim, 6 Drawing Sheets



US D643,197 S

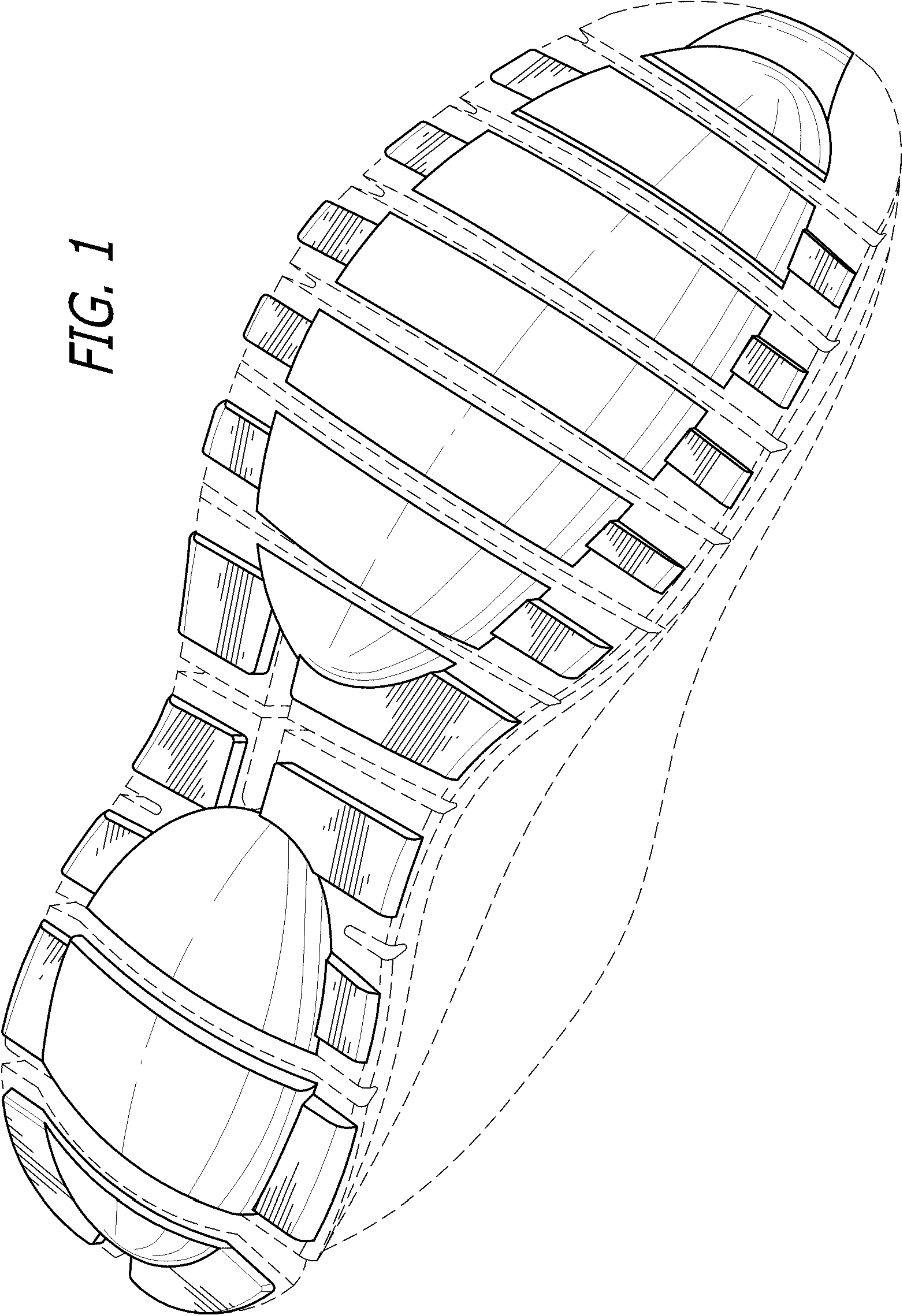
Page 2

U.S. PATENT DOCUMENTS

D602,683 S	*	10/2009	Roundhouse	D2/957	D628,365 S	12/2010	Bourdin et al.	
D604,030 S	*	11/2009	Wilson	D2/947	D628,777 S	12/2010	Bourdin et al.	
D605,385 S		12/2009	Andersen et al.		2008/0163513 A1*	7/2008	Chapman et al.	36/91
D608,534 S	*	1/2010	Bullard	D2/947	2009/0200763 A1*	8/2009	Adams et al.	280/11.19

* cited by examiner

FIG. 1



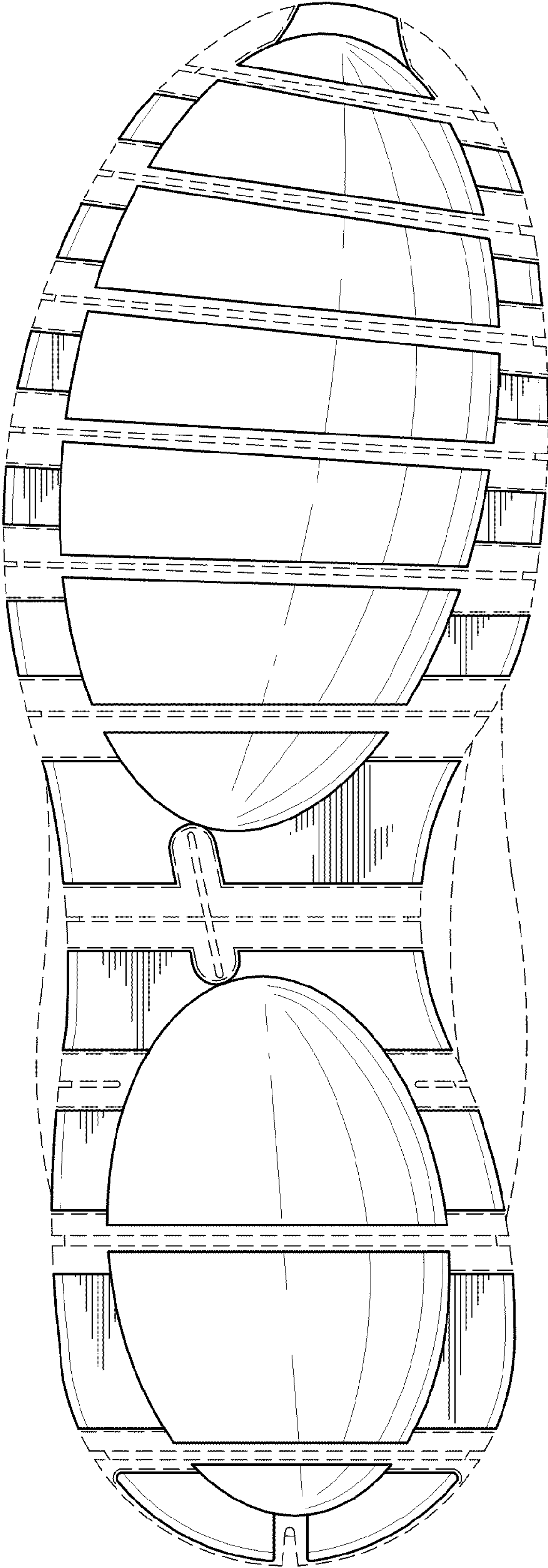
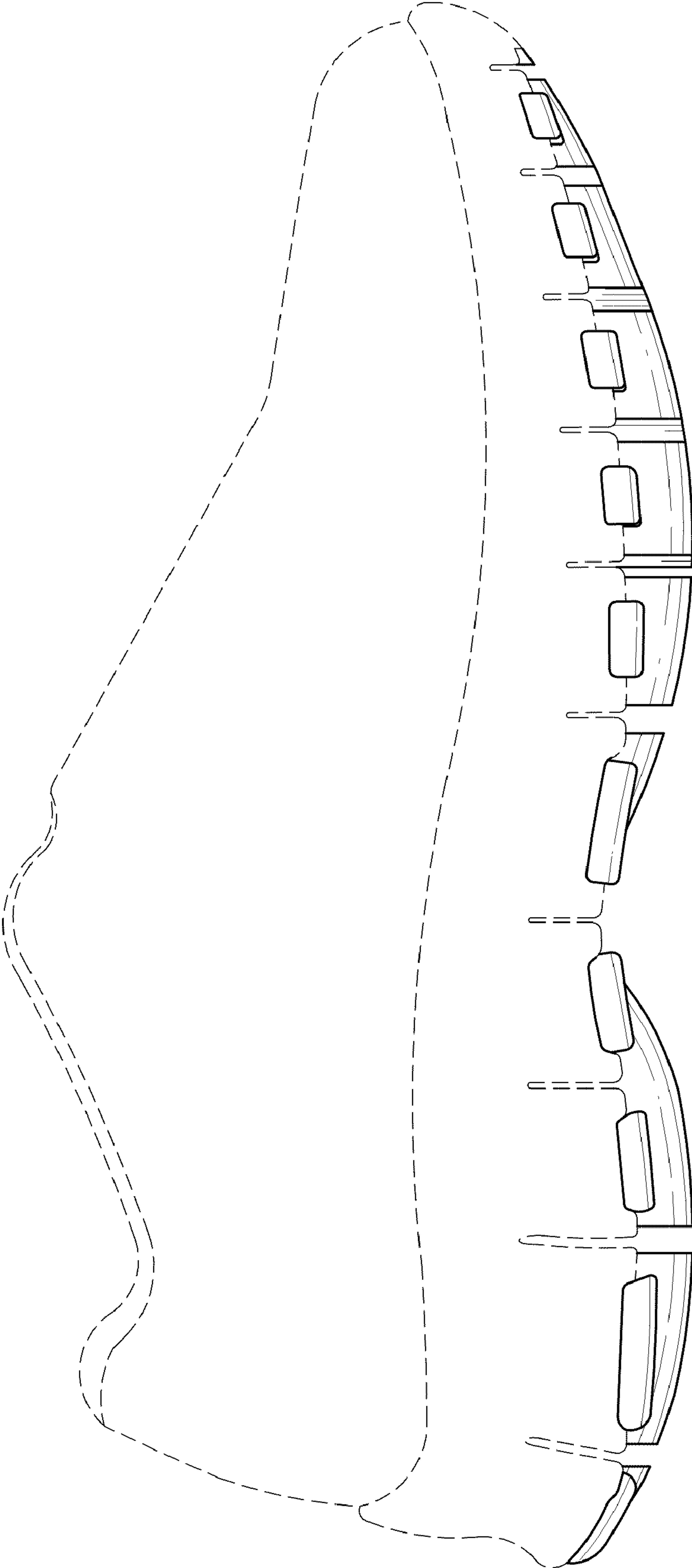


FIG. 2

FIG. 3



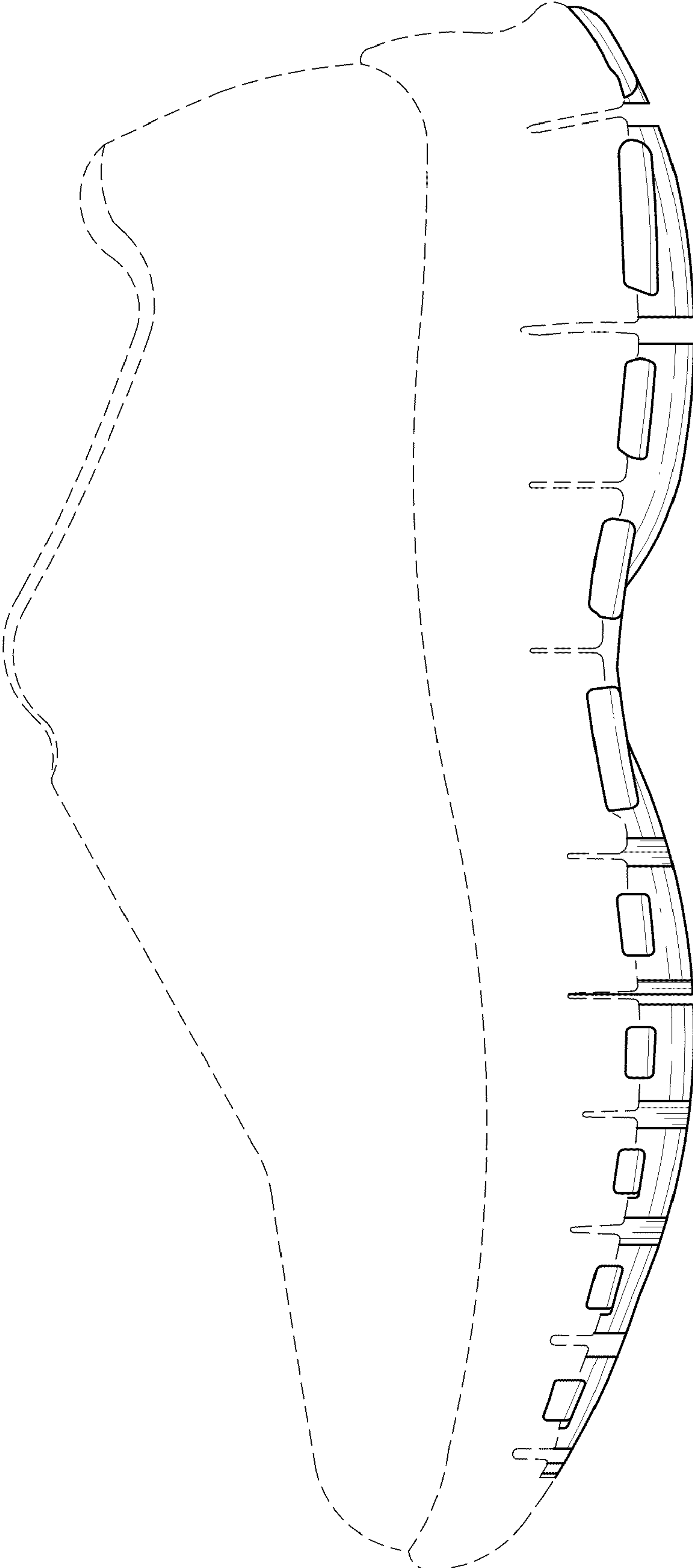


FIG. 4

FIG. 6

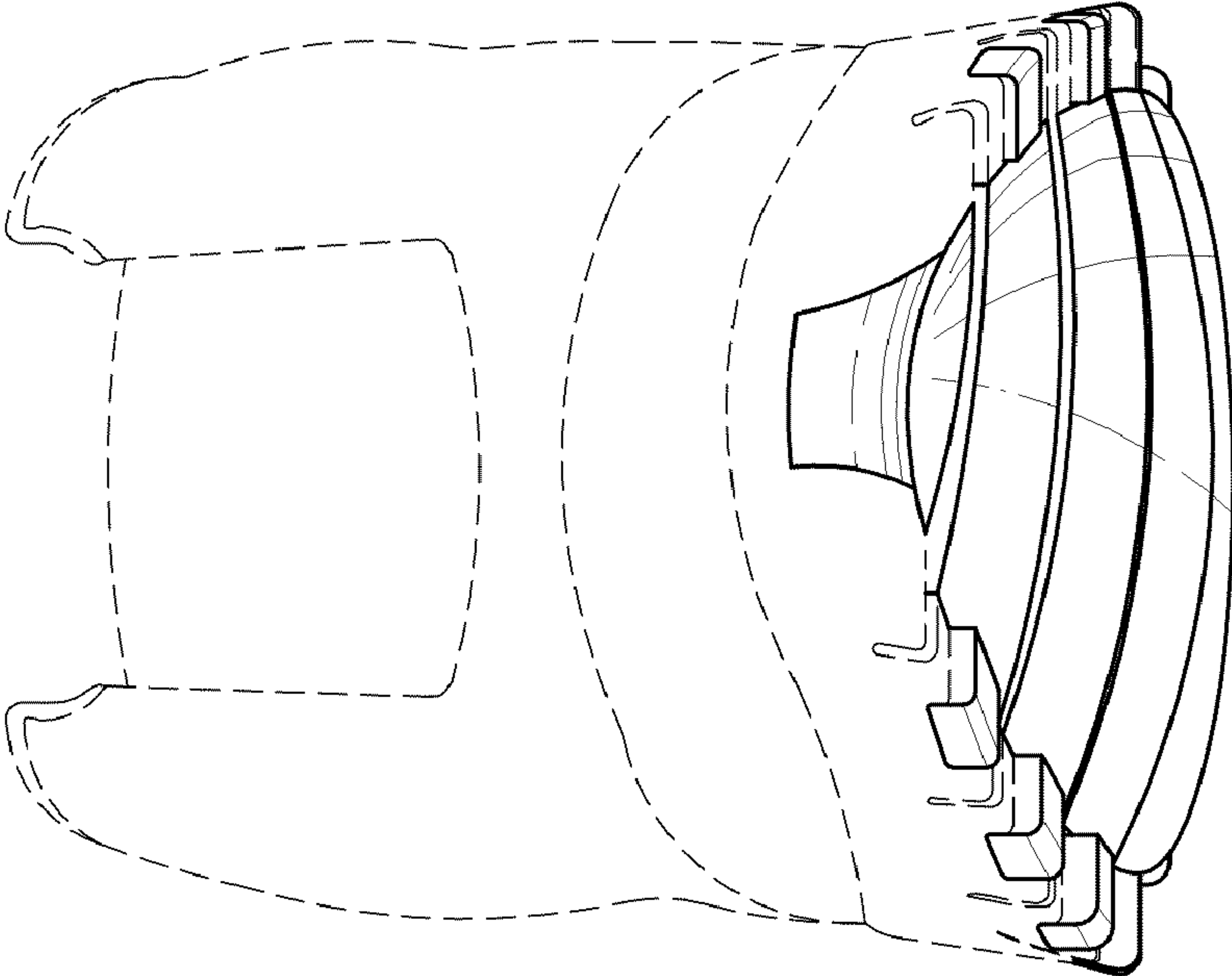
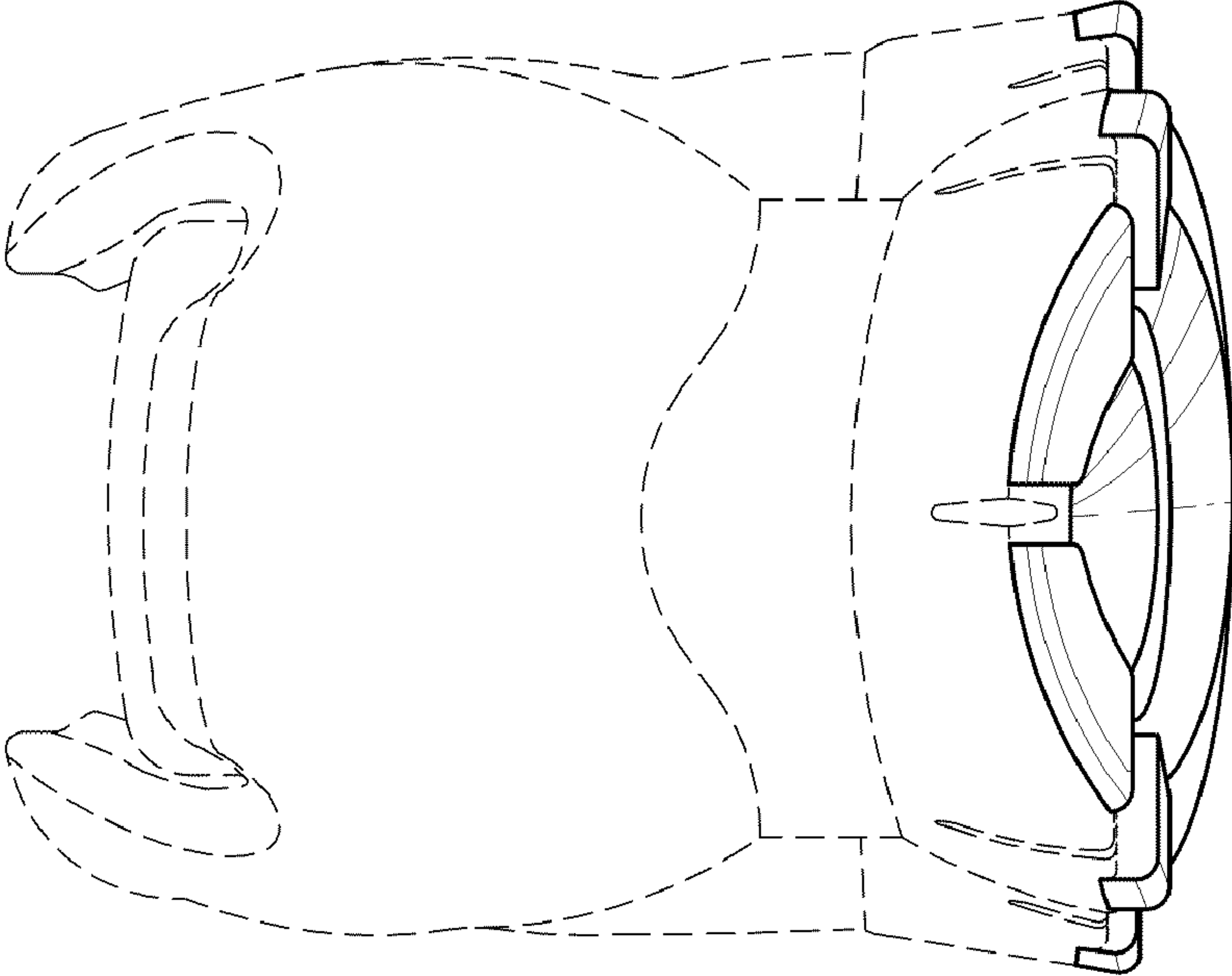


FIG. 5



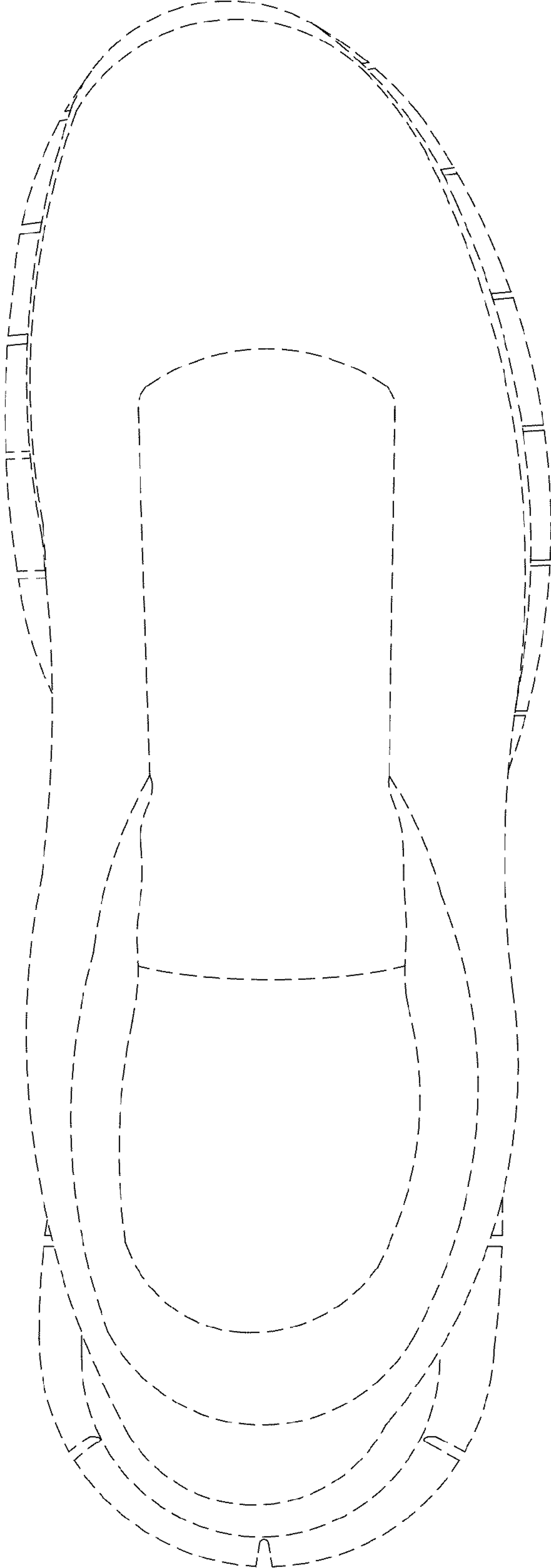


FIG. 7