



US00D643186S

(12) **United States Design Patent**
Greenspan

(10) **Patent No.:** **US D643,186 S**

(45) **Date of Patent:** **** Aug. 16, 2011**

(54) **VISOR WITH BANDANA**

(76) Inventor: **Paul S. Greenspan**, Marietta, GA (US)

(**) Term: **14 Years**

(21) Appl. No.: **29/368,153**

(22) Filed: **Aug. 18, 2010**

(51) **LOC (9) Cl.** **02-03**

(52) **U.S. Cl.** **D2/872**

(58) **Field of Classification Search** D2/500,
D2/865, 866, 867, 869, 872, 875, 876, 879,
D2/880, 881, 882, 884, 891, 893; 2/171,
2/175.1, 181, 183, 195.1, 195.2, 207, 209.12,
2/209.13

See application file for complete search history.

(56) **References Cited**

U.S. PATENT DOCUMENTS

2,005,361	A *	6/1935	Rollins et al.	2/195.1
2,089,995	A *	8/1937	Dobbs	2/207
D135,321	S *	3/1943	Harpignies	D2/879
D136,334	S *	9/1943	Witz	D2/879
2,651,044	A *	9/1953	Stankiewicz et al.	2/171
D237,758	S *	11/1975	Huffman	D2/876
5,161,260	A *	11/1992	Reynolds	2/207
D336,763	S *	6/1993	Oehlschlaeger	D2/876
5,381,559	A *	1/1995	Wakefield, III	2/267
D365,432	S *	12/1995	Buccelli	D2/881
5,493,732	A *	2/1996	Fawkes	2/195.1
5,594,956	A *	1/1997	Barrientos	2/207
D381,793	S *	8/1997	Najim	D2/881
5,845,338	A *	12/1998	Clark	2/195.1

D441,937	S *	5/2001	Thibodaux	D2/879
D444,618	S *	7/2001	Wilson	D2/882
D456,980	S *	5/2002	Worthy	D2/500
D473,038	S *	4/2003	Stockhamer	D2/869
D474,578	S *	5/2003	Johnson	D2/879

* cited by examiner

Primary Examiner — Karen E Eldridge Powers

(74) *Attorney, Agent, or Firm* — QuickPatents, Inc.; Kevin Prince

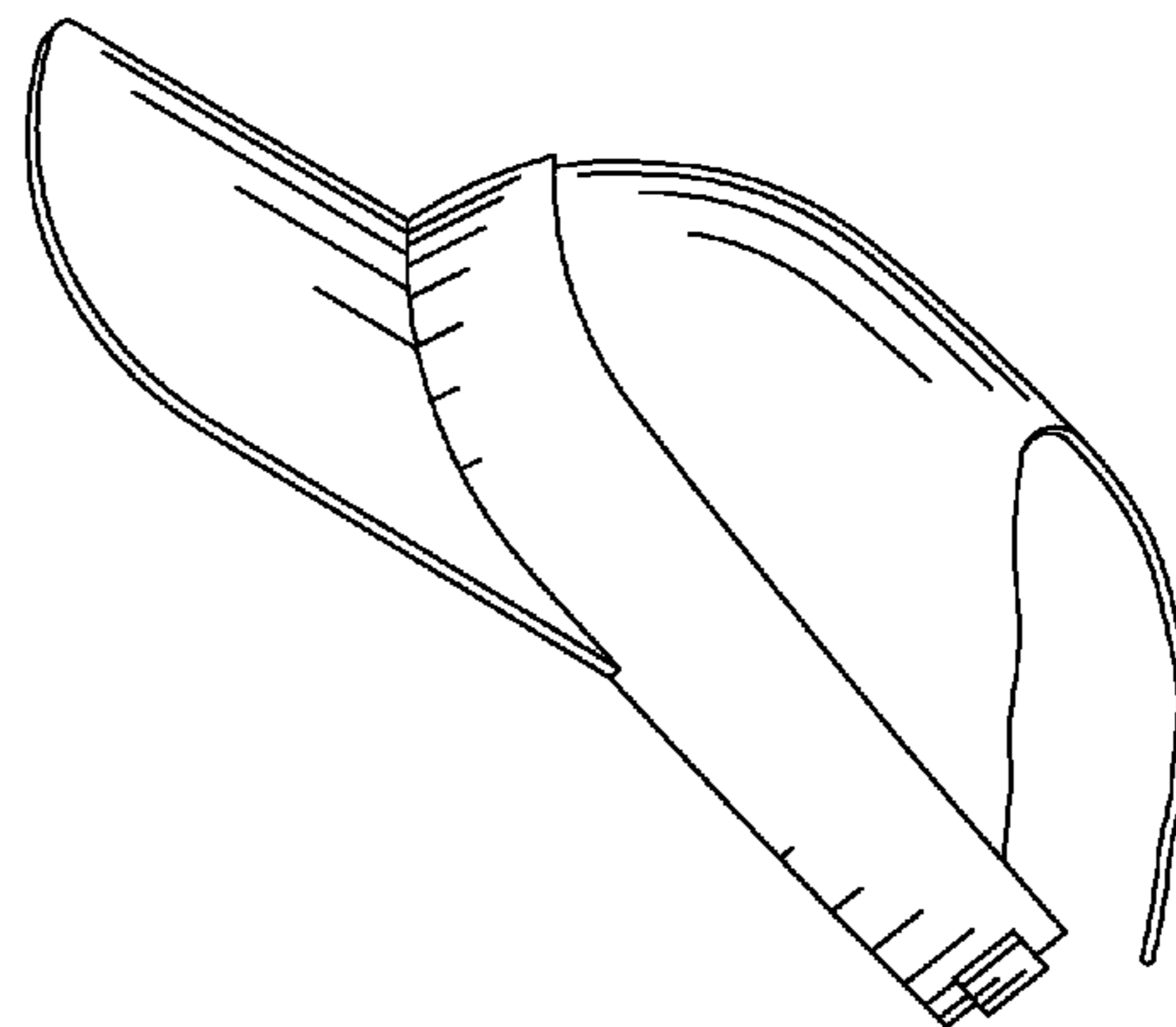
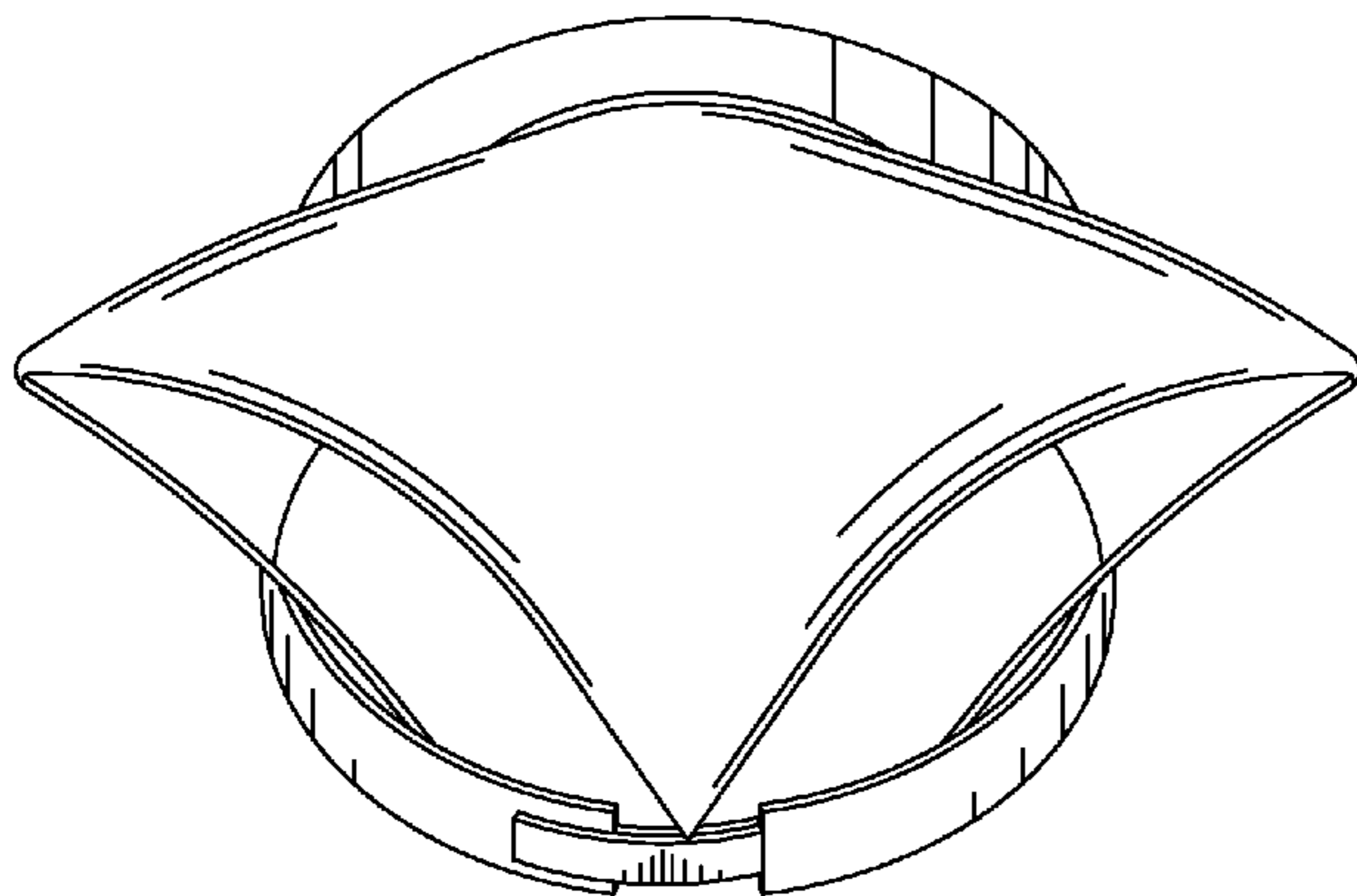
(57) **CLAIM**

What is claimed is the ornamental design for a visor with bandana, as shown and described.

DESCRIPTION

FIG. 1 is a rear perspective view of a visor with bandana portion, showing the new design;
 FIG. 2 is a front elevational view thereof;
 FIG. 3 is a rear elevational view thereof;
 FIG. 4 is a right-side elevational view thereof;
 FIG. 5 is a left-side elevational view thereof;
 FIG. 6 is a top plan view thereof;
 FIG. 7 is a bottom plan view thereof; and,
 FIG. 8 is a top plan view of the bandana in a flat position, a visor having been omitted for clarity of illustration.
 The broken lines showing a person in FIG. 1 are included for the purpose of illustrating the invention in use, and form no part of the claimed design.

1 Claim, 3 Drawing Sheets



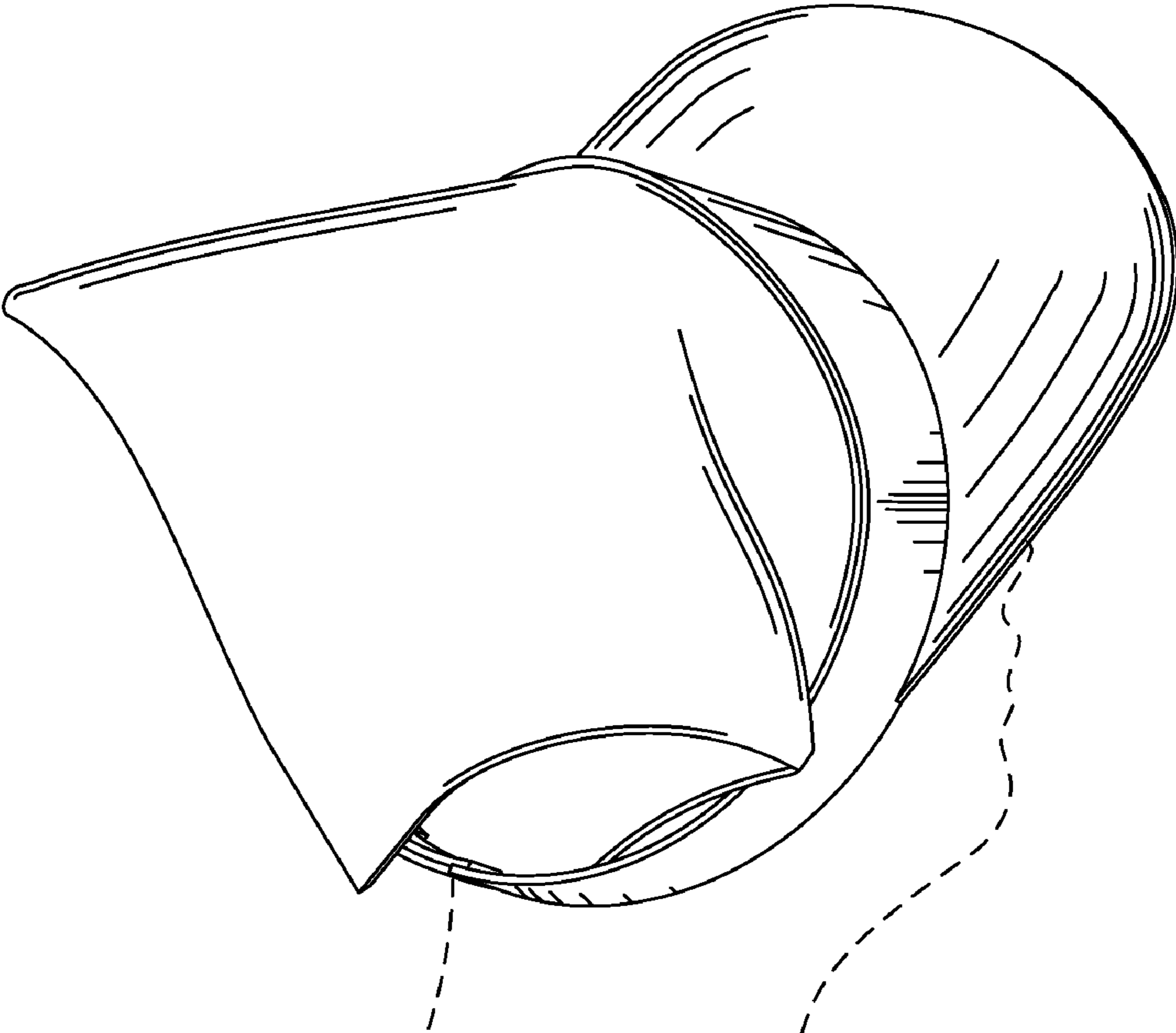


FIG. 1

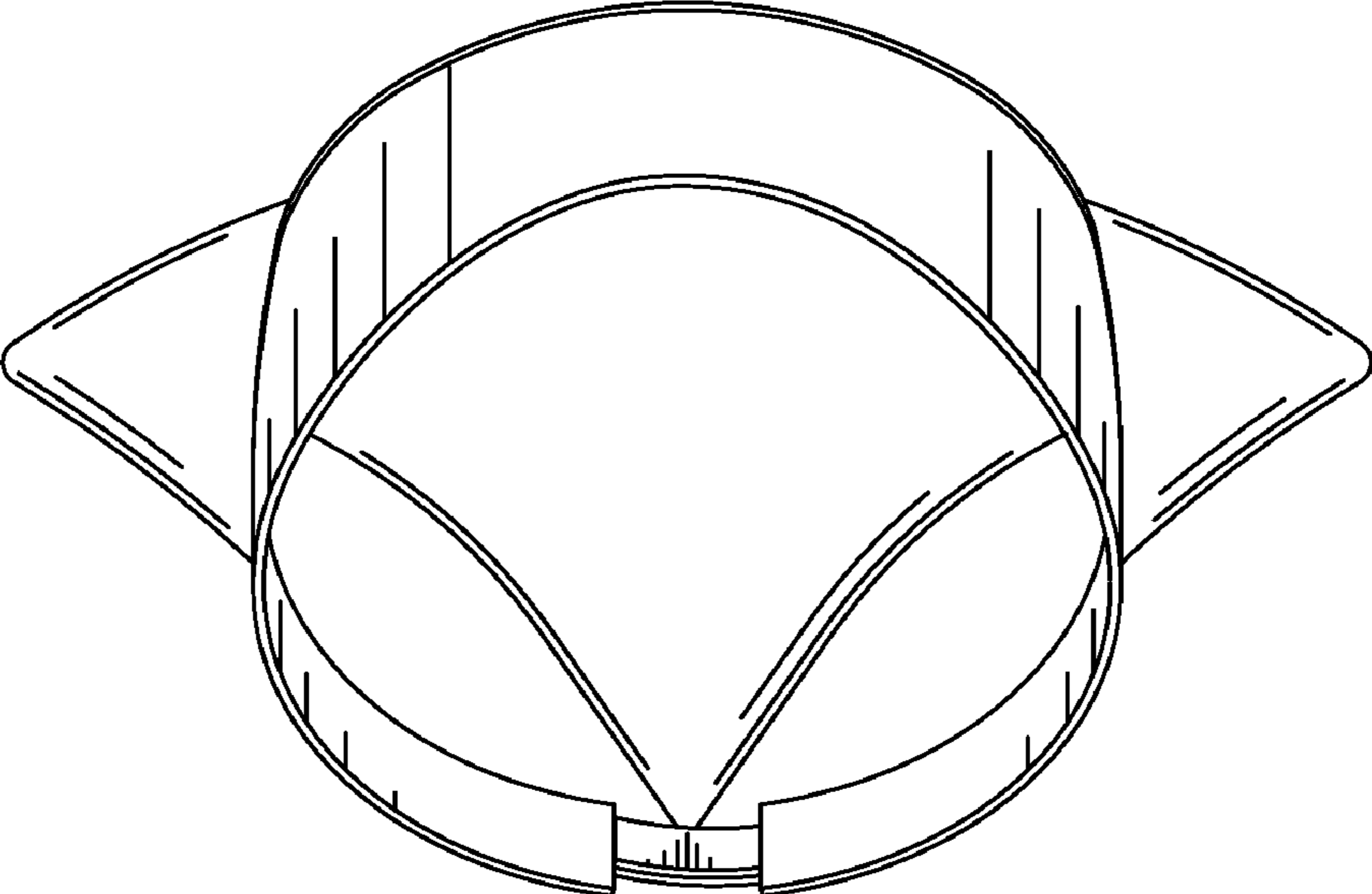


FIG. 2

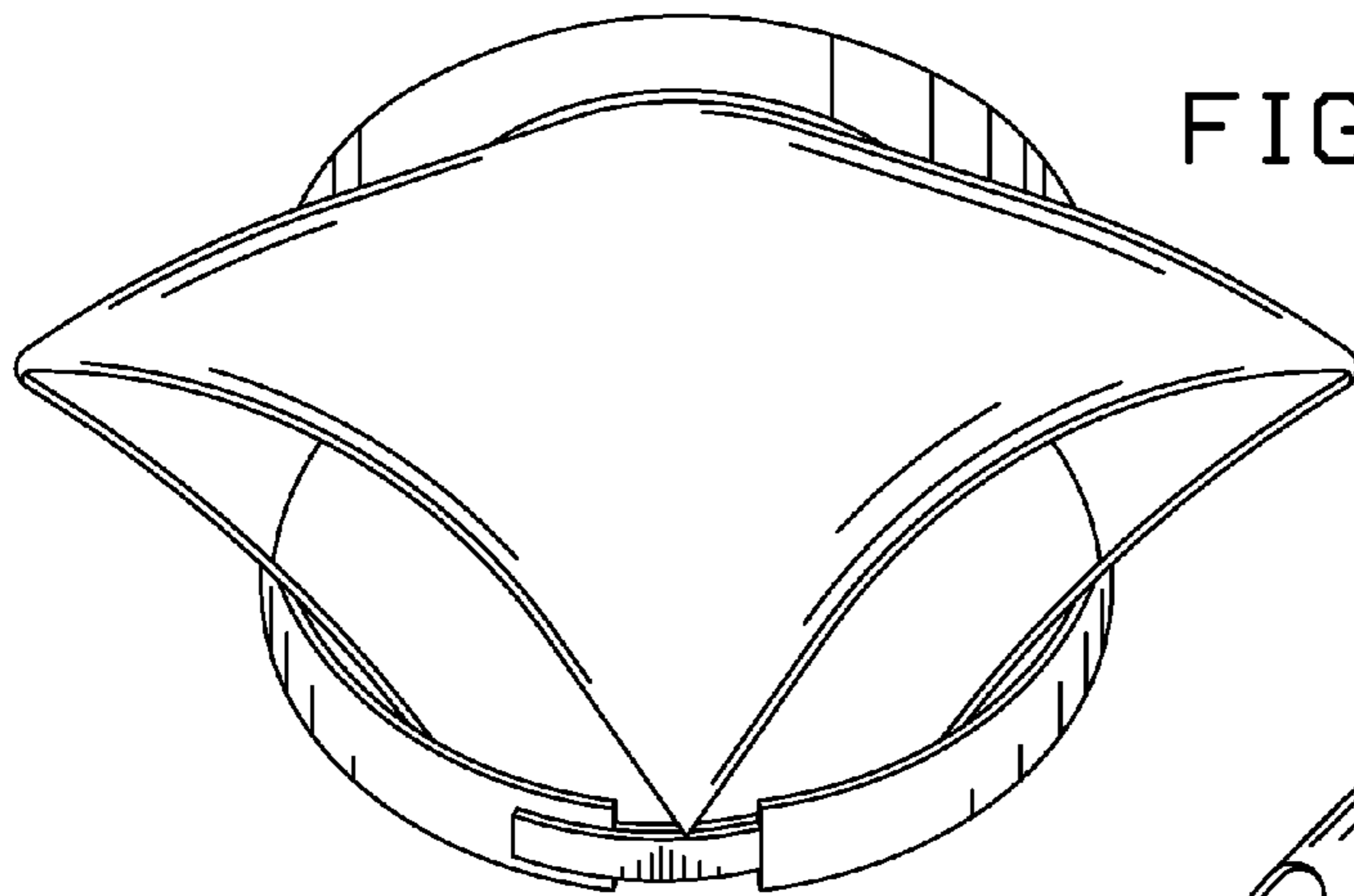


FIG. 3

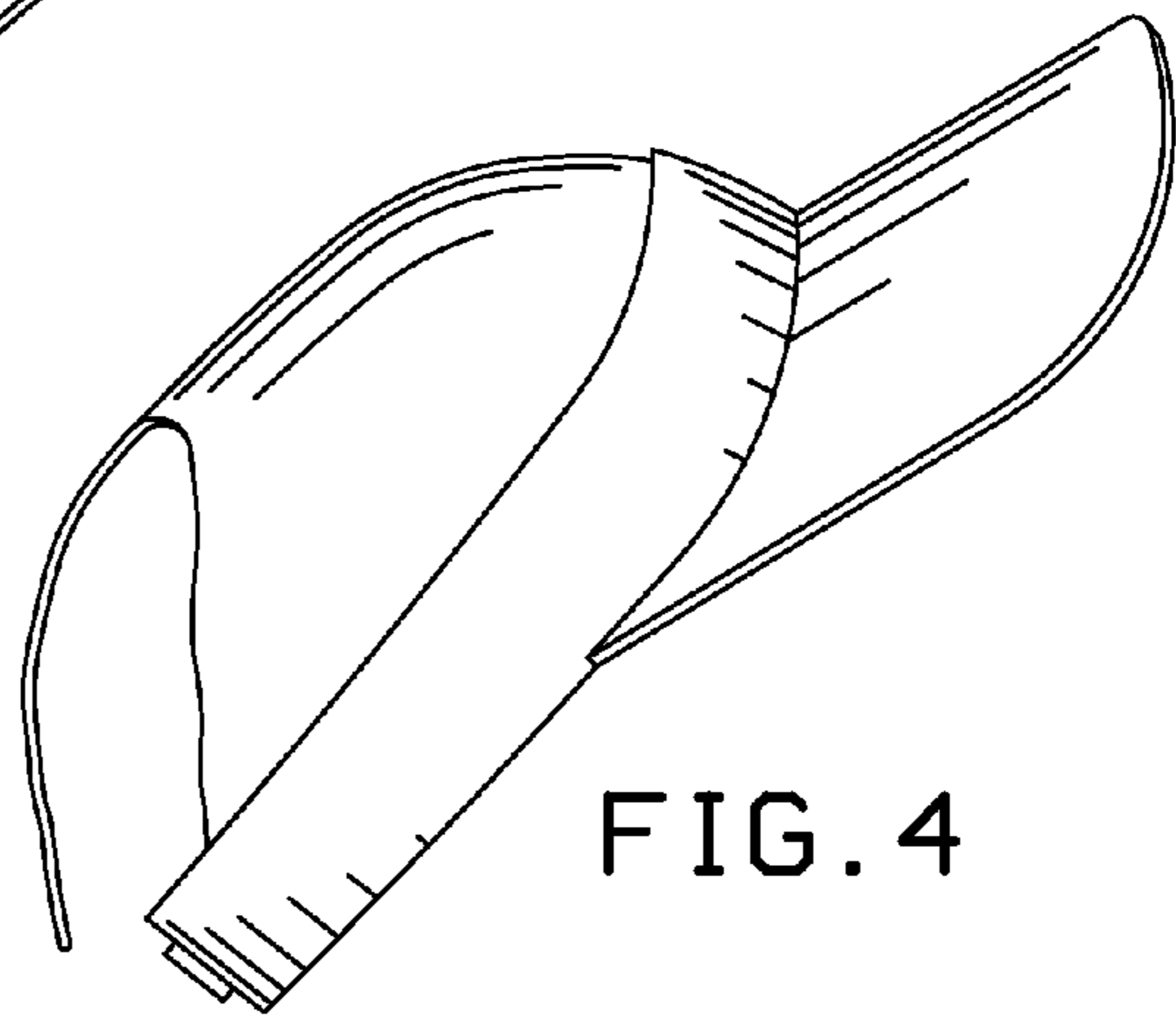


FIG. 4

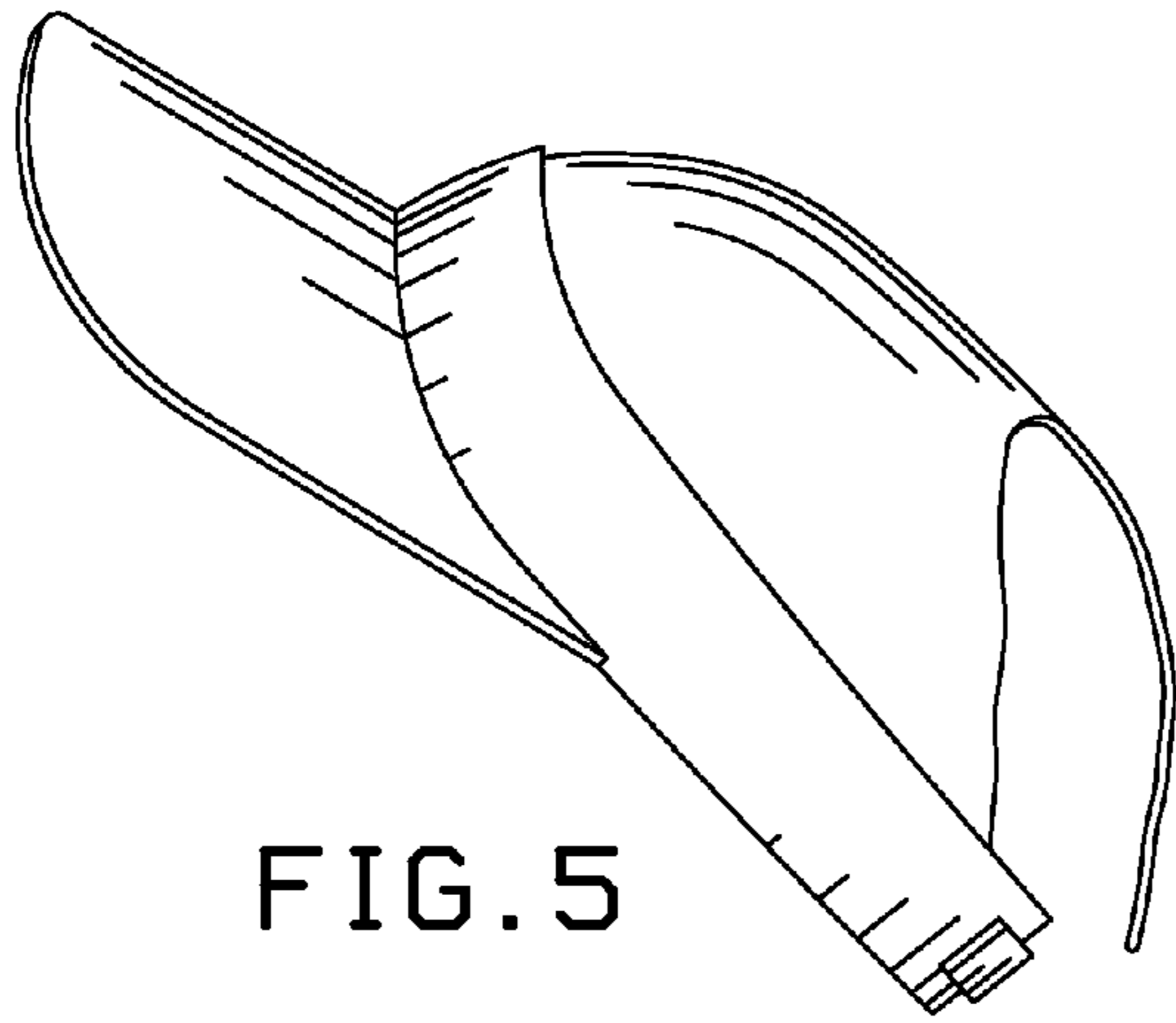


FIG. 5

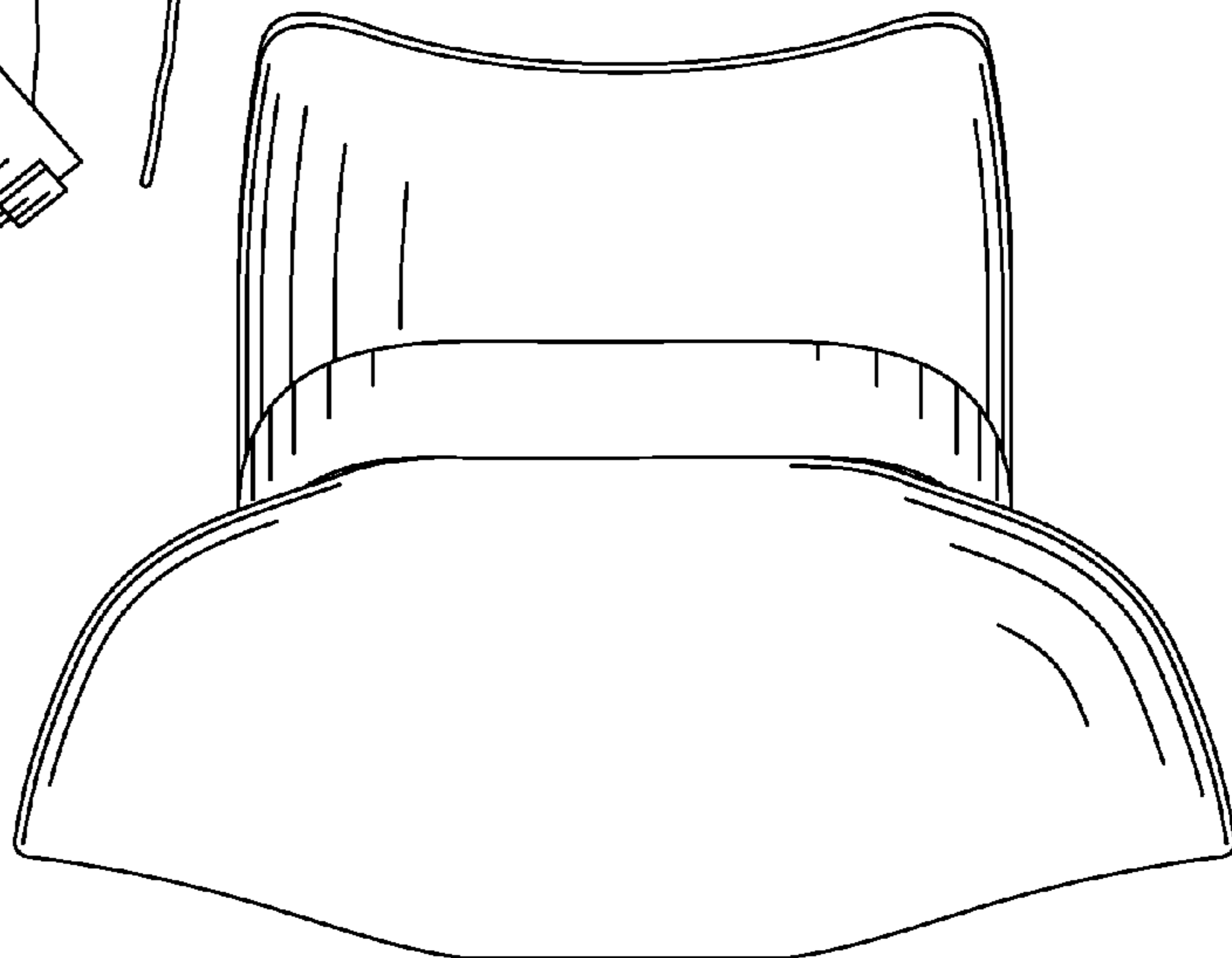


FIG. 6

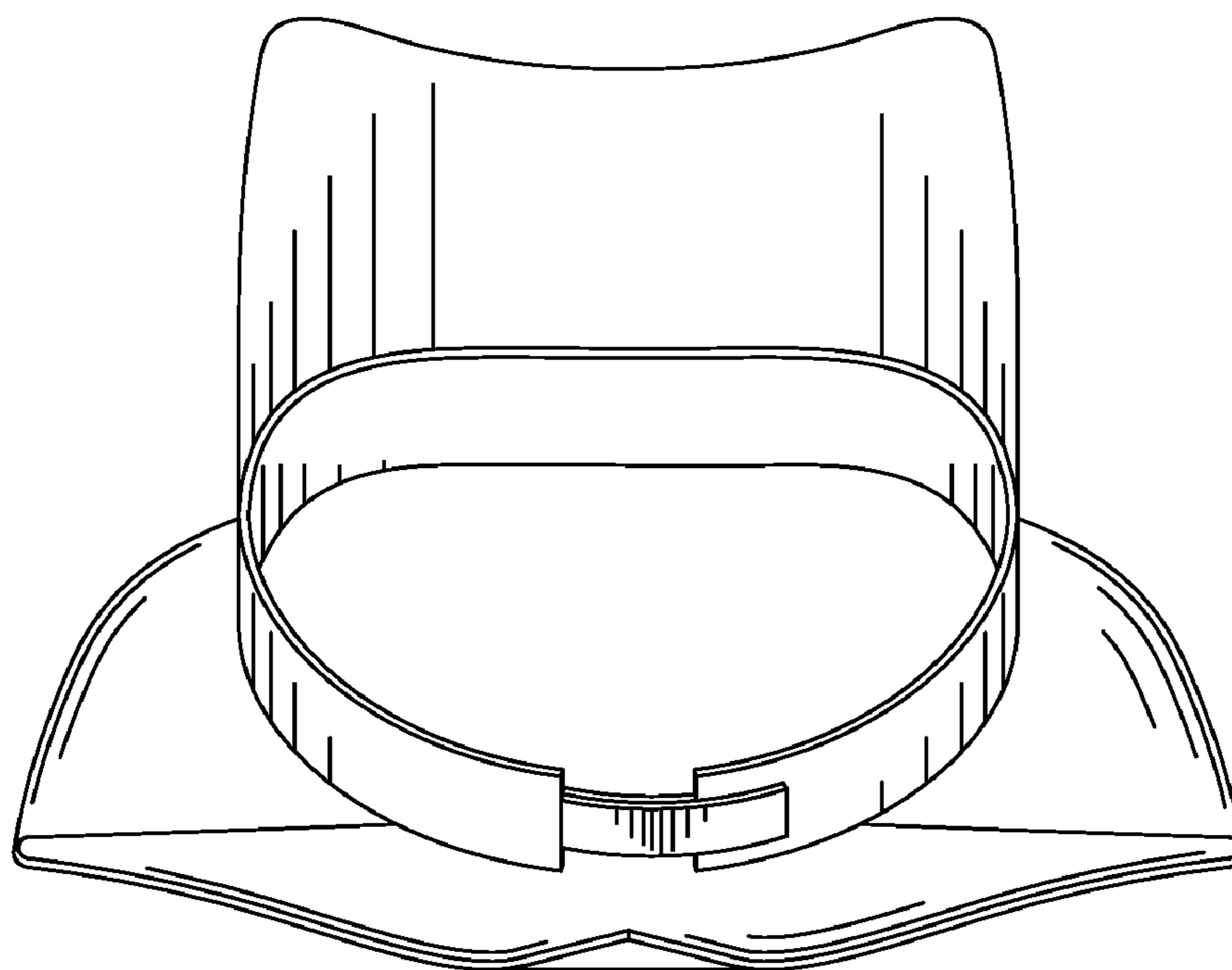


FIG. 7

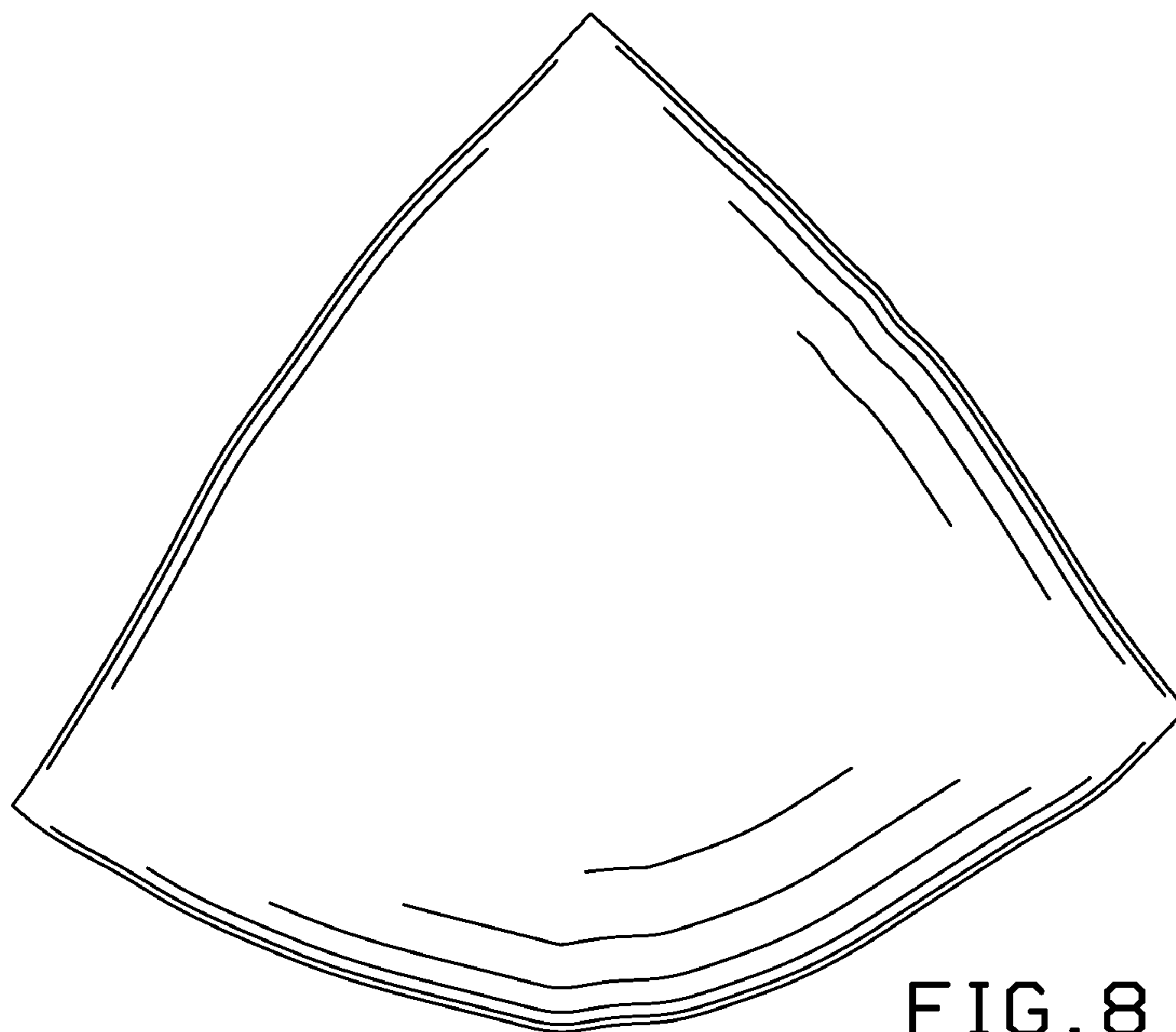


FIG. 8