



US00D643185S

(12) **United States Design Patent**  
**King**

(10) **Patent No.:** **US D643,185 S**

(45) **Date of Patent:** **\*\* Aug. 16, 2011**

- (54) **HAT**
- (76) **Inventor:** **Patricia M. King**, Waldoboro, ME (US)
- (\*\*) **Term:** **14 Years**
- (21) **Appl. No.:** **29/376,171**
- (22) **Filed:** **Oct. 1, 2010**
- (51) **LOC (9) Cl.** ..... **02-03**
- (52) **U.S. Cl.** ..... **D2/869**
- (58) **Field of Classification Search** ..... D2/865,  
D2/866, 869, 870, 871, 872, 873, 874, 878,  
D2/886, 891, 895; 2/171, 171.01, 175.1,  
2/200.1

See application file for complete search history.

- D477,128 S 7/2003 Lee
- D481,852 S 11/2003 Turner
- D517,778 S 3/2006 Steichen
- D522,720 S 6/2006 Leblanc
- D529,261 S 10/2006 Cope

\* cited by examiner

*Primary Examiner* — Karen E Eldridge Powers  
(74) *Attorney, Agent, or Firm* — QuickPatents, Inc.; Kevin Prince

(57) **CLAIM**  
What is claimed is the ornamental design for a hat, as shown and described.

**DESCRIPTION**

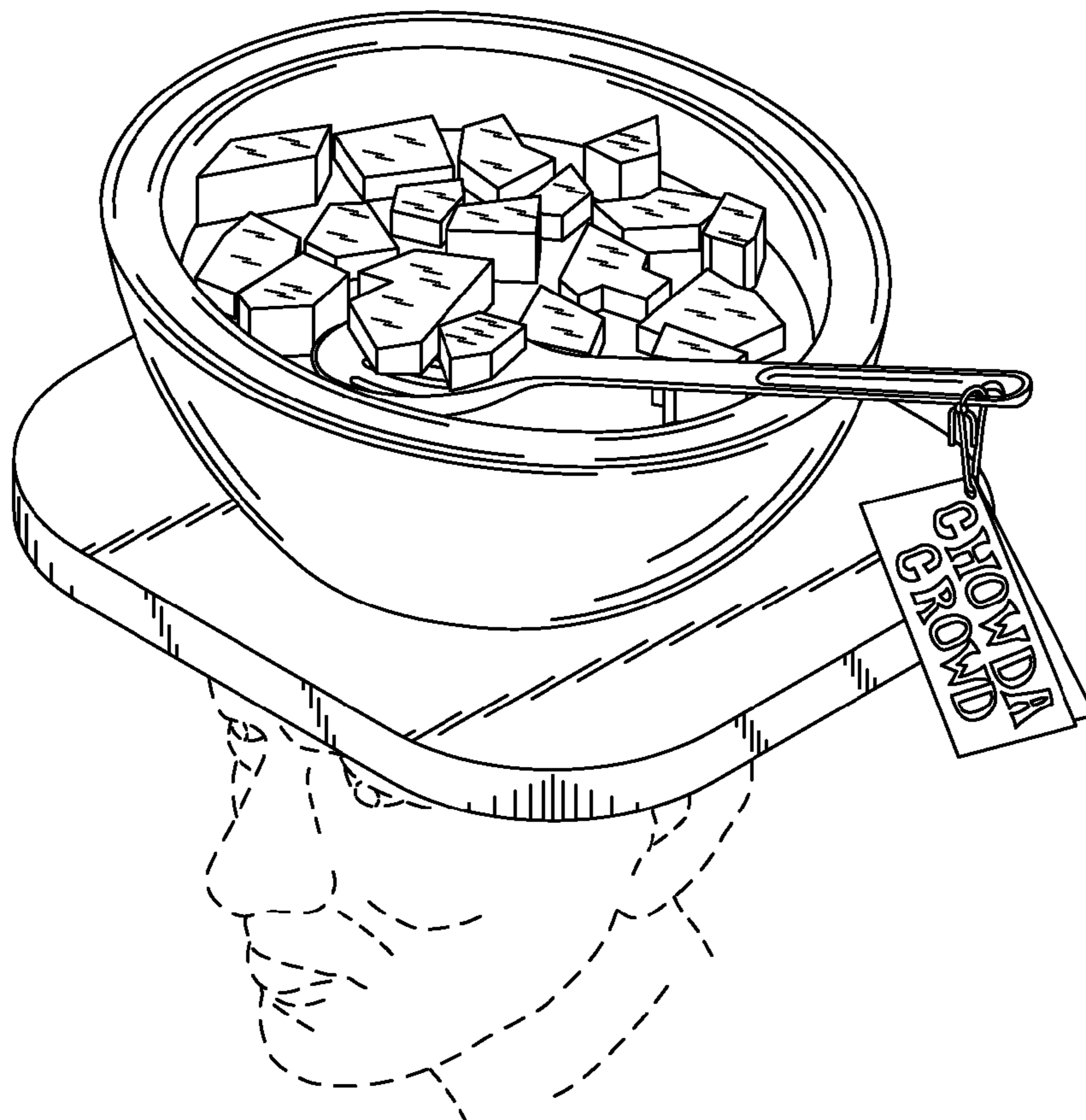
FIG. 1 is a perspective view of a hat, showing the new design; FIG. 2 is a front elevational view thereof; FIG. 3 is a rear elevational view thereof; FIG. 4 is a right-side elevational view thereof; FIG. 5 is a left-side elevational view thereof; FIG. 6 is a top plan view thereof; and, FIG. 7 is a bottom plan view thereof. The broken lines showing a person in FIG. 1 are included for the purpose of illustrating the invention in use, and form no part of the claimed design. The broken lines shown in FIG. 7 illustrate features that form no part of the claimed design.

(56) **References Cited**

**U.S. PATENT DOCUMENTS**

D26,533 S	1/1897	Frank	
D180,017 S *	4/1957	Funt	D2/886
D279,137 S *	6/1985	Sing	D2/872
D341,473 S *	11/1993	Petre	D2/875
5,682,615 A *	11/1997	Wahl et al.	2/209.13
5,708,983 A *	1/1998	Cross et al.	2/171
D391,039 S	2/1998	Mongeon	
D393,535 S	4/1998	Farber	
D420,206 S	2/2000	Lawson	
D424,281 S	5/2000	Jebber et al.	
D466,677 S	12/2002	Arya	

**1 Claim, 2 Drawing Sheets**



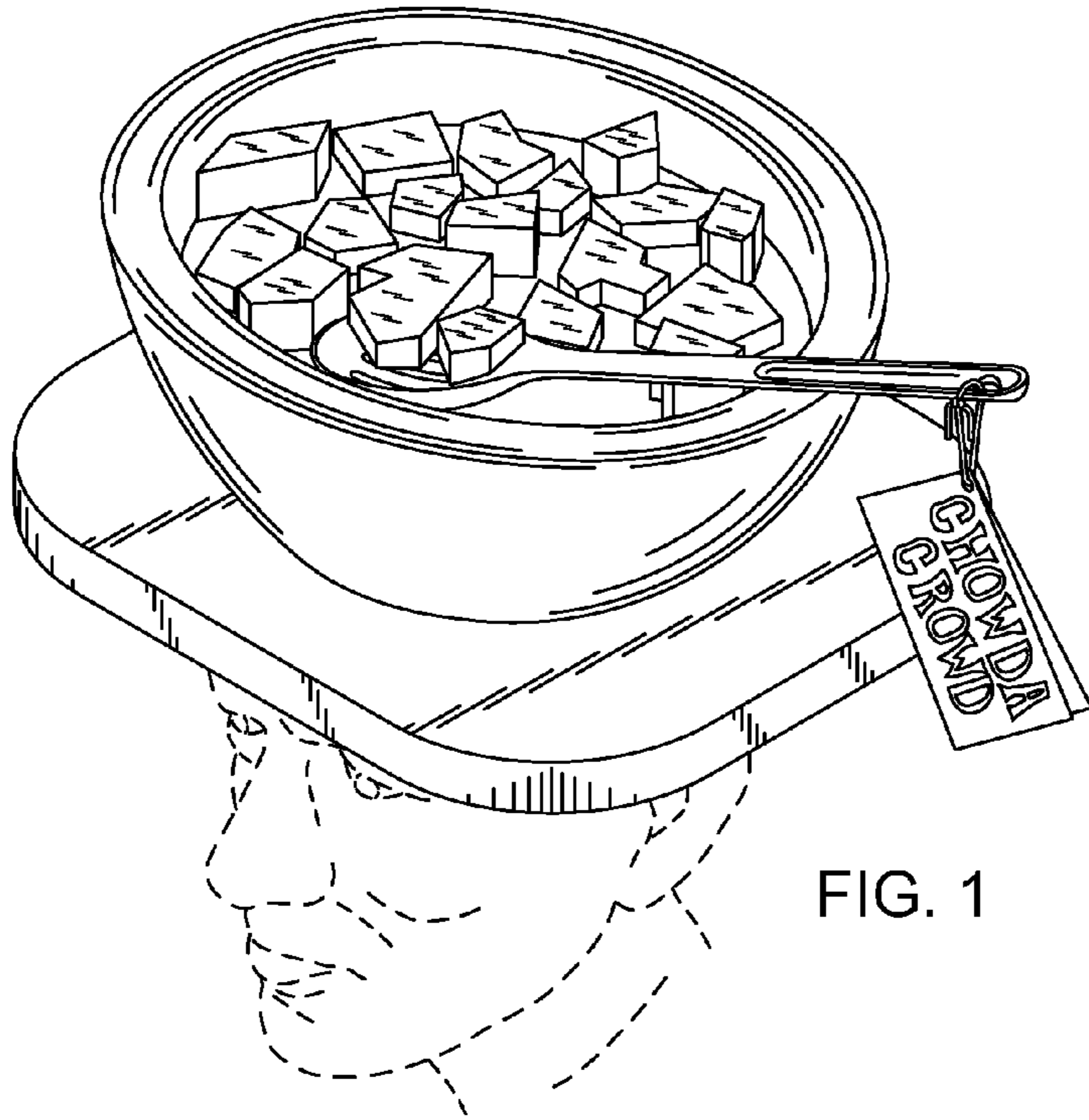


FIG. 1

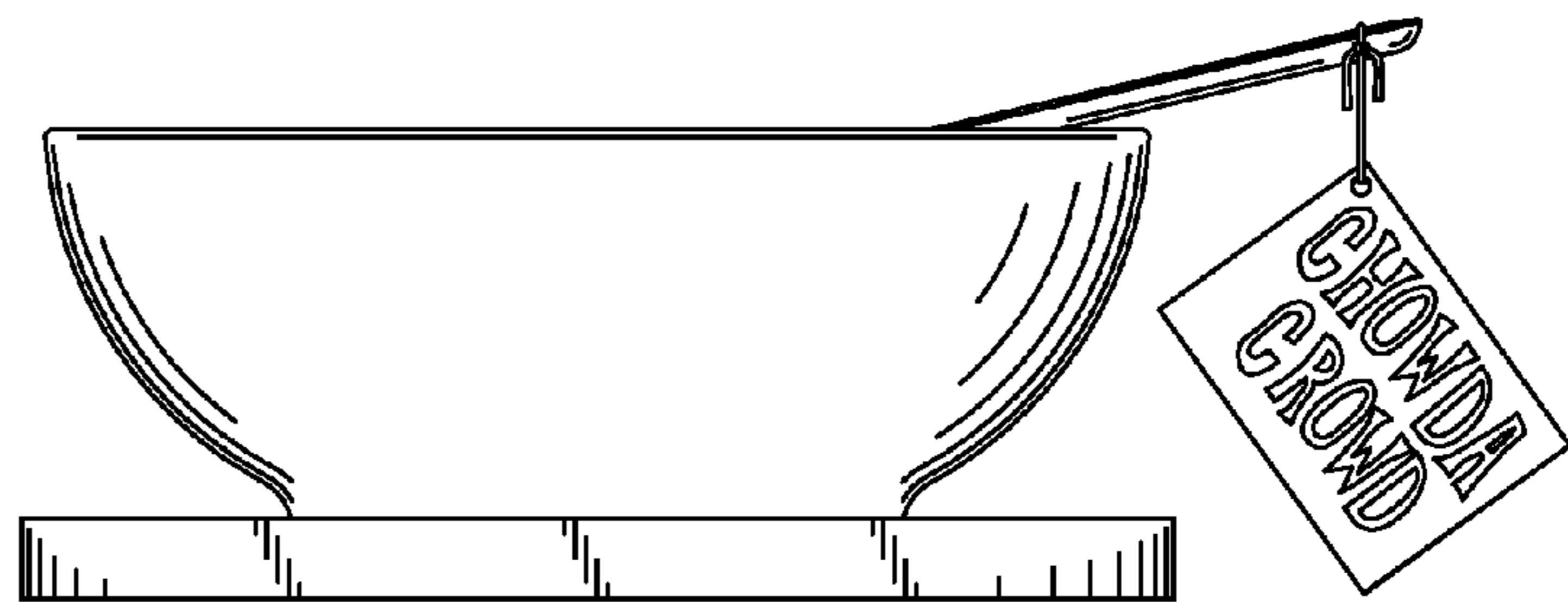


FIG. 2

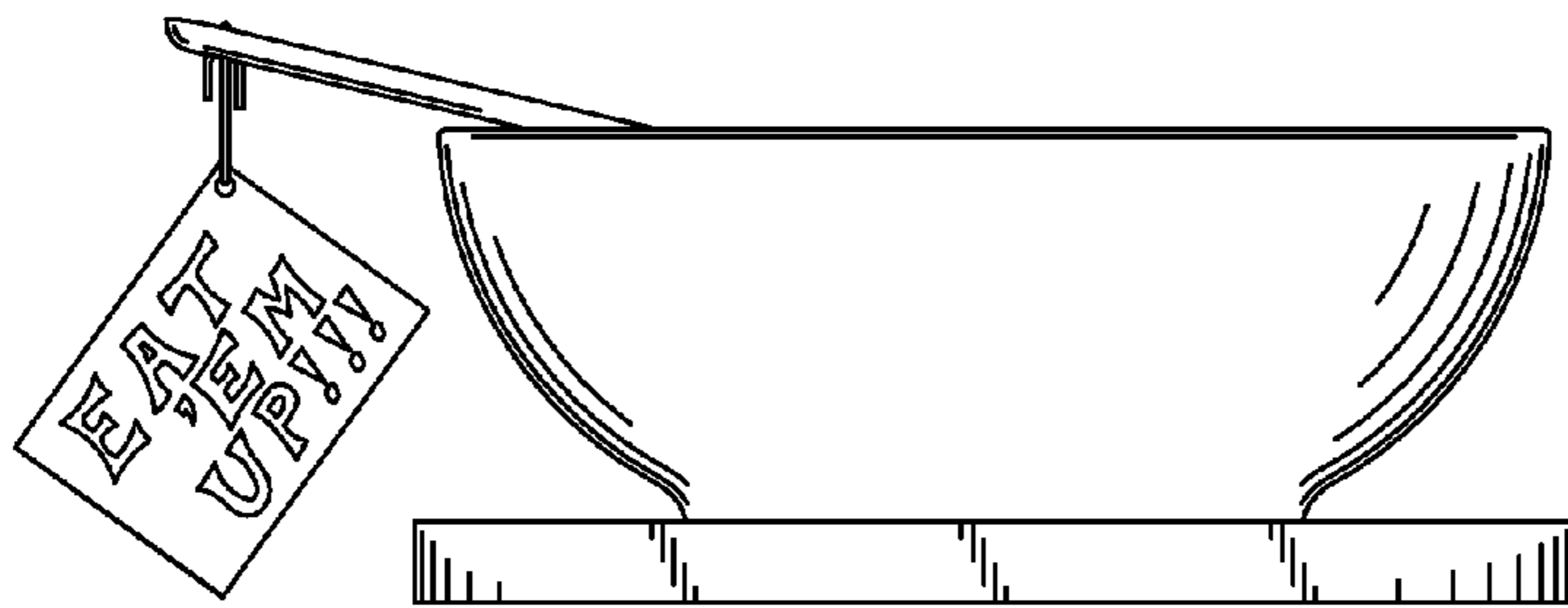


FIG. 3

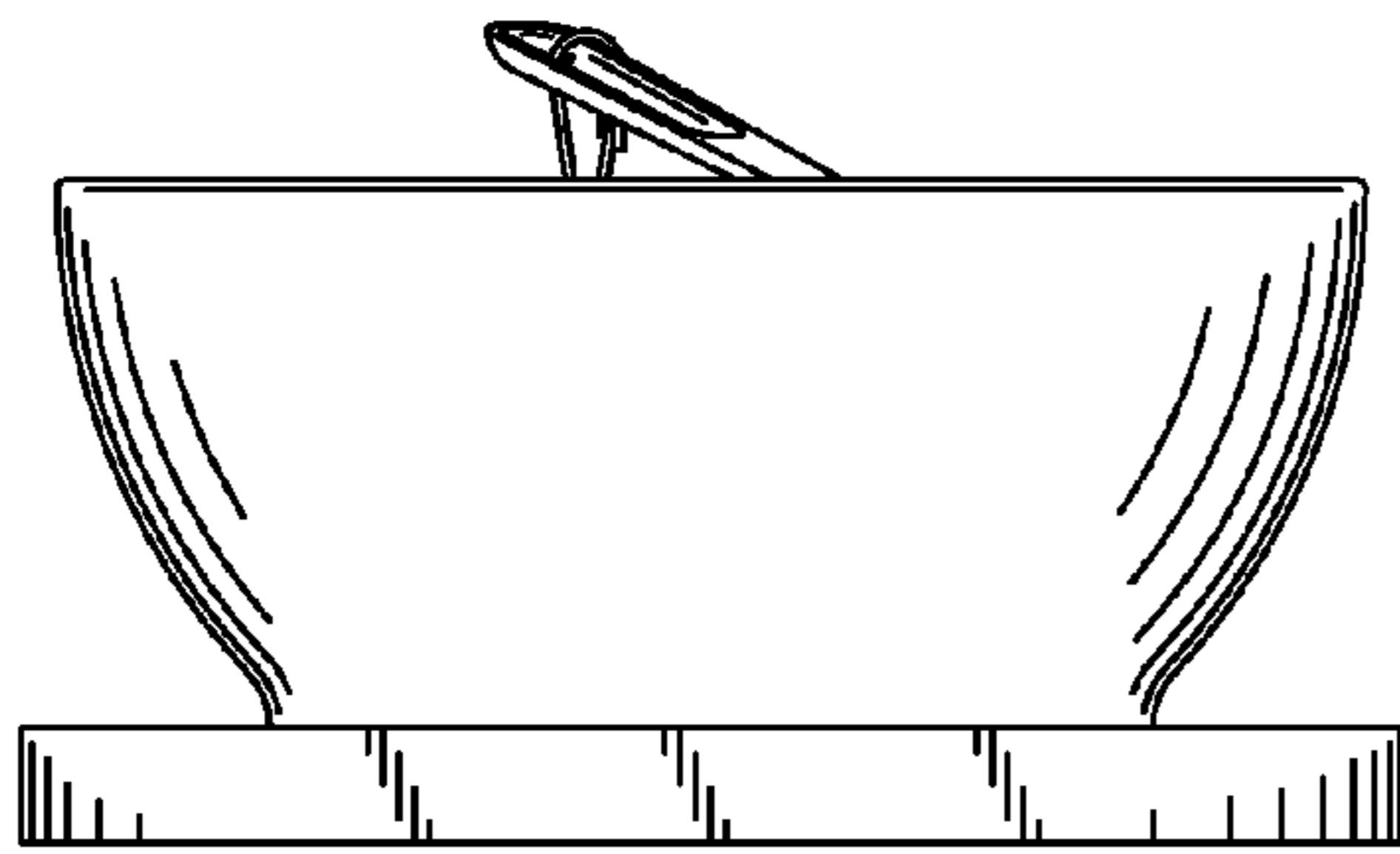


FIG. 4

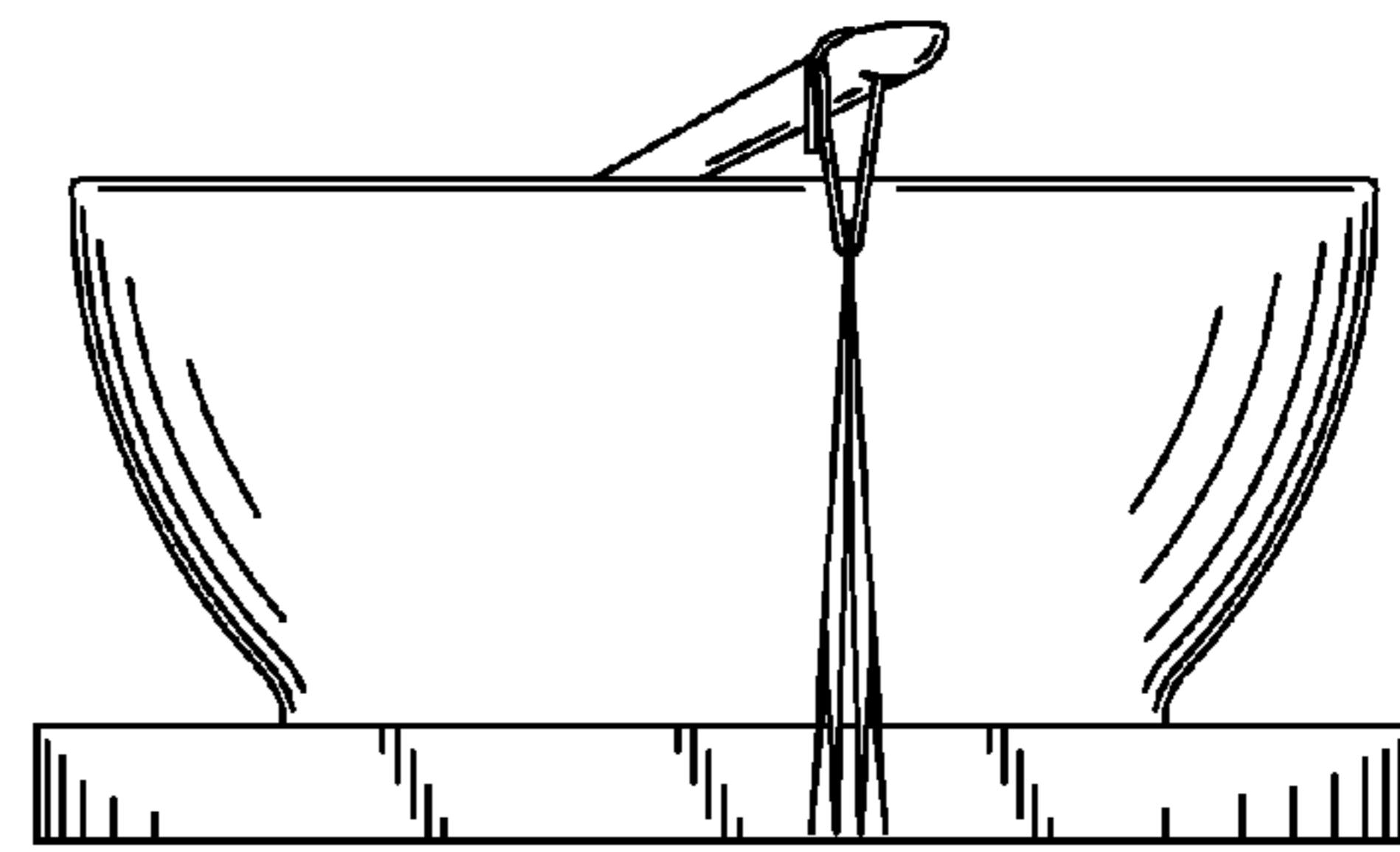


FIG. 5

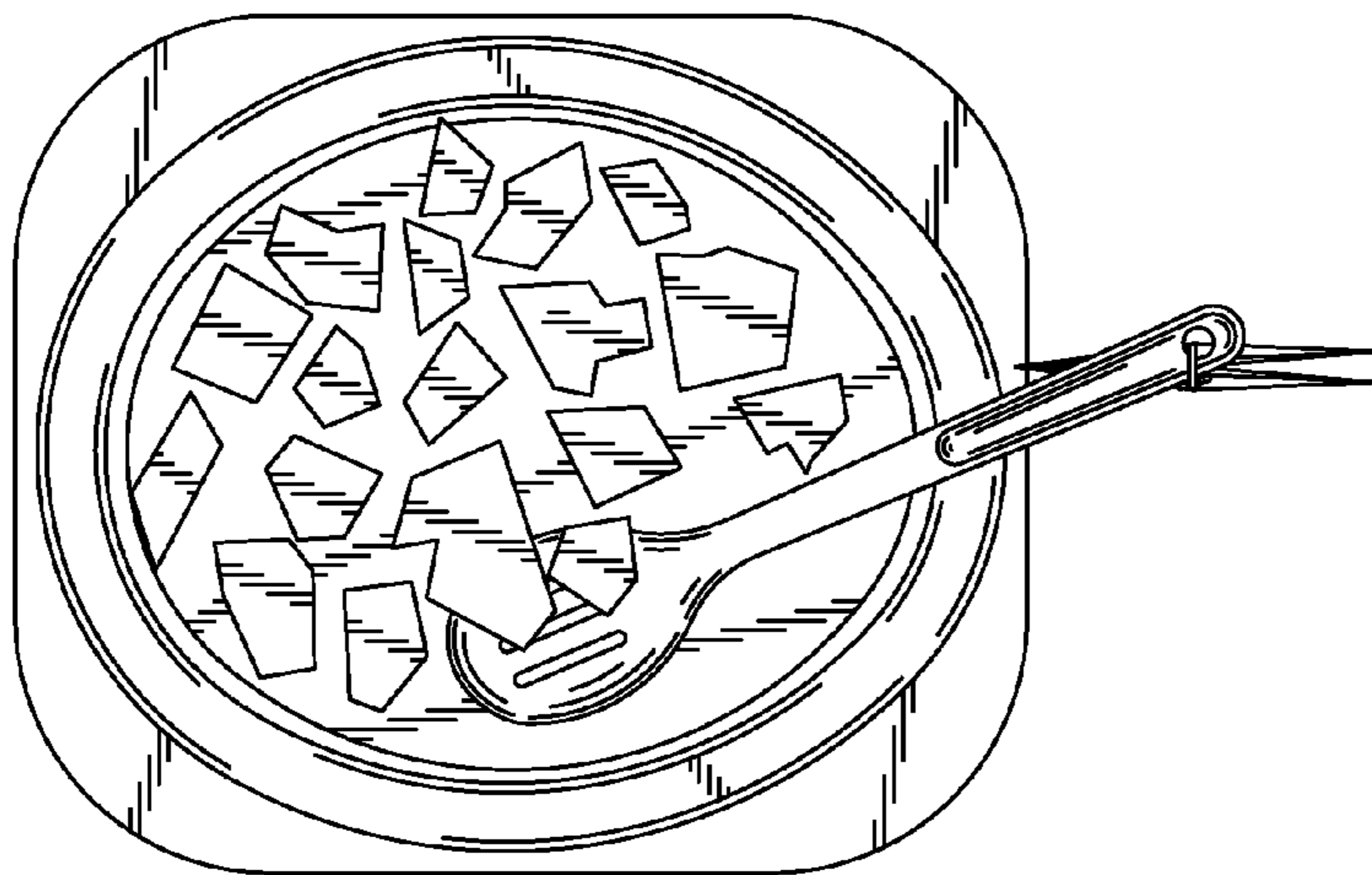


FIG. 6

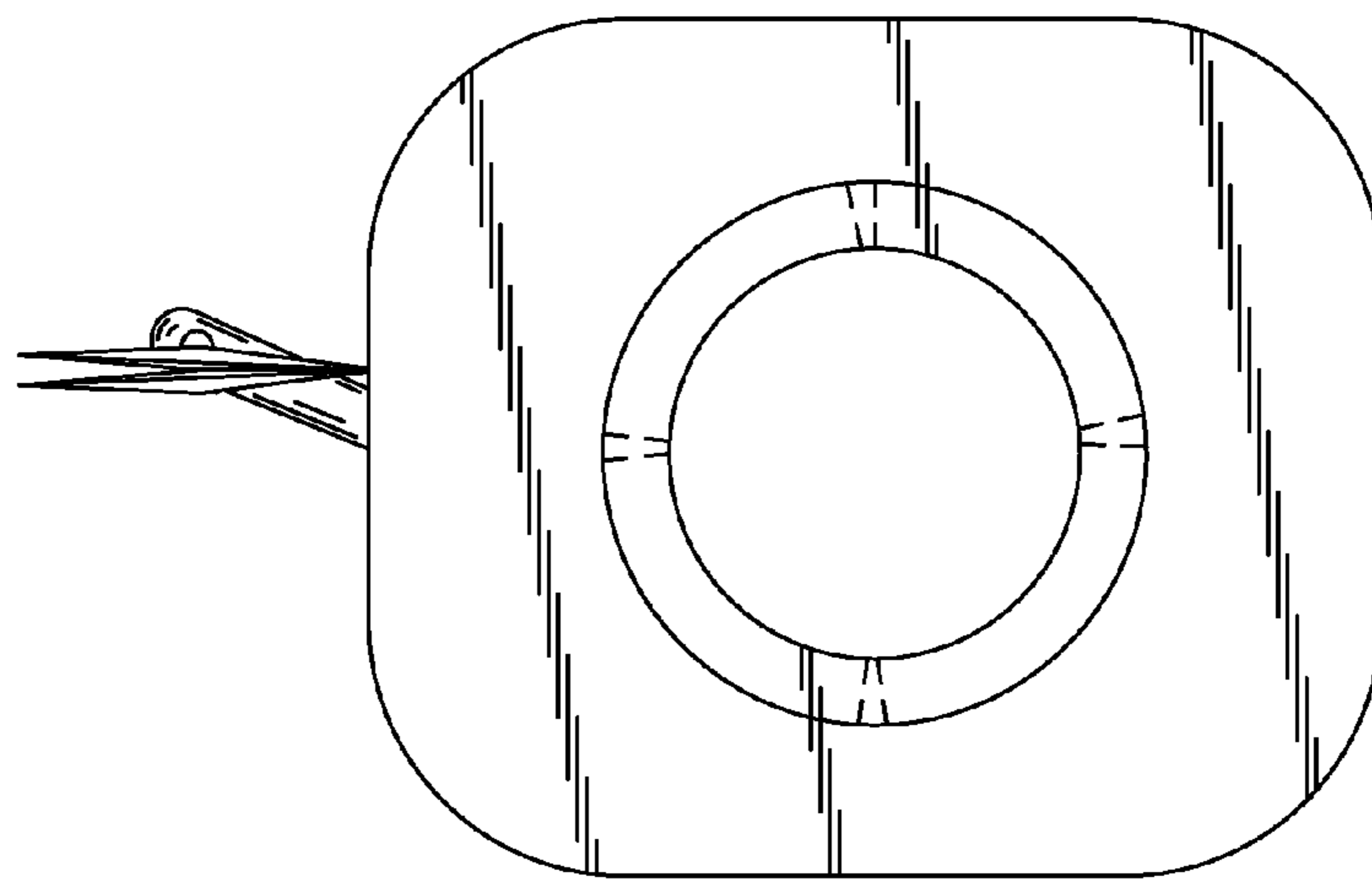


FIG. 7