



US00D643175S

(12) **United States Design Patent**  
**Peota et al.**

(10) **Patent No.:** **US D643,175 S**  
(45) **Date of Patent:** **\*\* Aug. 9, 2011**

(54) **CART PORTION**

(75) Inventors: **Robert D. Peota**, Minneapolis, MN (US); **Ivor Michel Walter**, Boulder, CO (US)

(73) Assignee: **Target Brands, Inc.**, Minneapolis, MN (US)

(\*\*) Term: **14 Years**

(21) Appl. No.: **29/380,921**

(22) Filed: **Dec. 13, 2010**

(51) **LOC (9) Cl.** ..... **12-02**

(52) **U.S. Cl.** ..... **D34/27**

(58) **Field of Classification Search** ..... D34/12-27;  
280/33.991, 33.992, 33.994, 33.995, 33.996,  
280/33.997, 33.998, 47.34, 47.35

See application file for complete search history.

(56) **References Cited**

**U.S. PATENT DOCUMENTS**

3,337,227	A *	8/1967	Castaldo	.....	280/33.996
4,846,186	A *	7/1989	Box et al.	.....	600/434
5,507,507	A *	4/1996	Davidson	.....	280/33.991
D455,243	S	4/2002	Walter		
D472,026	S	3/2003	Walter		
6,644,674	B2 *	11/2003	Simard	.....	280/33.991
D538,501	S	3/2007	Walter		
D548,421	S	8/2007	Walter		
D566,372	S	4/2008	Walter		
D576,372	S	9/2008	Walter		
D580,617	S	11/2008	Walter		
D580,619	S	11/2008	Walter		
D584,023	S	12/2008	Walter		
D595,918	S	7/2009	Walter		
D604,564	S	11/2009	Walter		
D605,823	S	12/2009	Walter		
D606,722	S	12/2009	Walter		
D606,723	S	12/2009	Walter		
D615,723	S	5/2010	Walter		
D622,507	S	8/2010	Walter		

**OTHER PUBLICATIONS**

VeraCartSystems, The EXpress4545 Metal Shopping Cart, <http://www.versacart.com/express4545.php>, 2008.

VeraCartSystems, The EXpress4546-T Metal Shopping Cart, <http://www.versacart.com/express4546t.php>, 2008.  
VeraCartSystems, The EXpress5050 Metal Shopping Cart, <http://www.versacart.com/express5050.php>, 2008.  
VeraCartSystems, The EXpress6000 Metal Shopping Cart, <http://www.versacart.com/express6000.php>, 2008.  
VeraCartSystems, the EXpress6150 Metal Shopping Cart, <http://www.versacart.com/express6150.php>, 2008.  
VeraCartSystems, The EXpress7050 Metal Shopping Cart, <http://www.versacart.com/express7050.php>, 2008.  
VeraCartSystems, The EXpress6050 Metal Shopping Cart, <http://www.versacart.com/express6050.php>, 2008.

\* cited by examiner

*Primary Examiner* — Cynthia Ramirez

(74) *Attorney, Agent, or Firm* — Theodore M. Magee; Westman, Champlin & Kelly, P.A.

(57) **CLAIM**

The ornamental design for a cart portion, as shown and described.

**DESCRIPTION**

FIG. 1 is a perspective view of a cart including the cart portion.

FIG. 2 is a perspective view of the cart portion as denoted in FIG. 1.

FIG. 3 is a right side view of the cart portion illustrated in FIG. 2.

FIG. 4 is a left side view of the cart portion illustrated in FIG. 2.

FIG. 5 is a front view of the cart portion illustrated in FIG. 2.

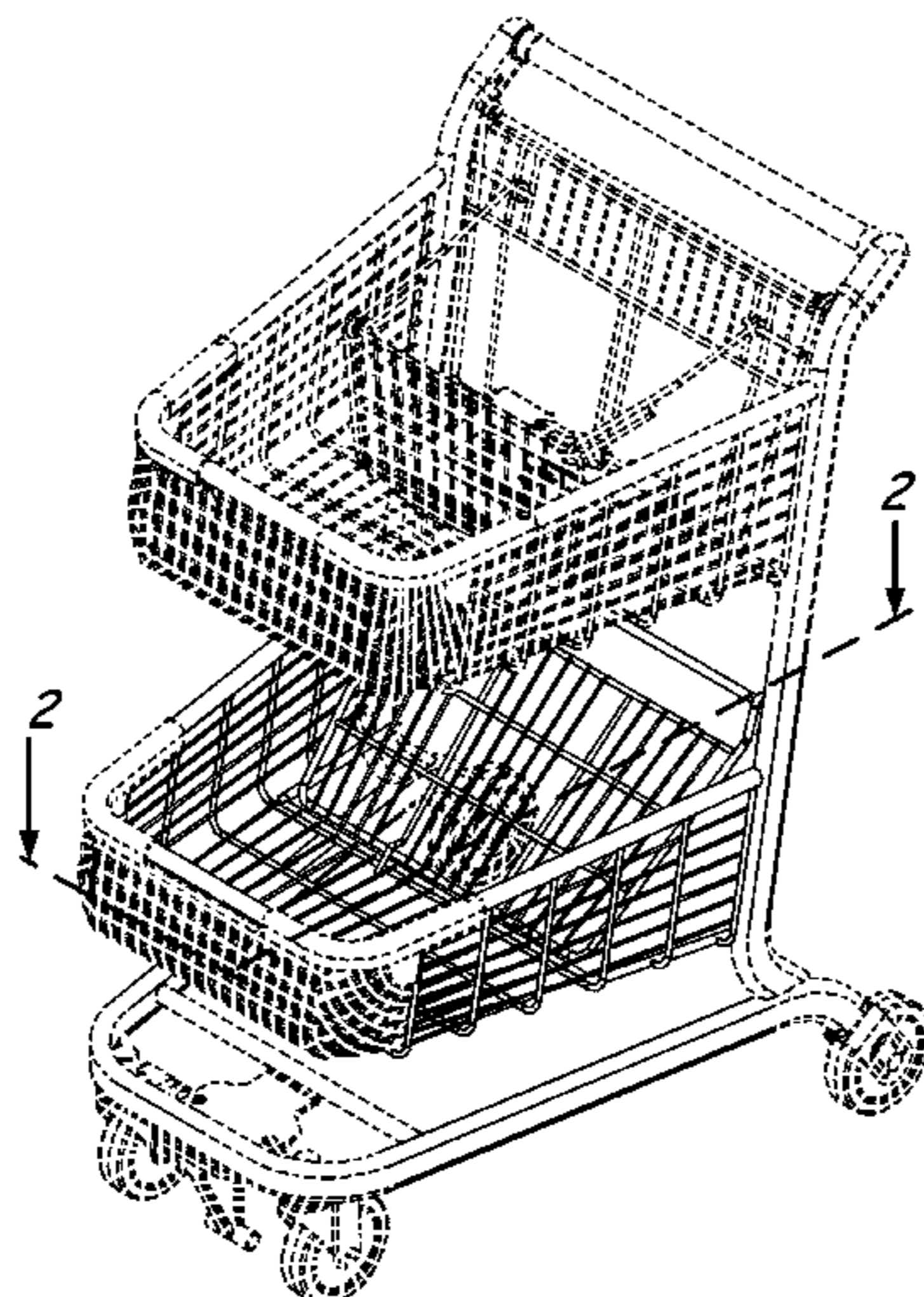
FIG. 6 is a back view of the cart portion illustrated in FIG. 2.

FIG. 7 is a top view of the cart portion illustrated in FIG. 2; and,

FIG. 8 is a bottom view of the cart portion illustrated in FIG. 2.

The broken lines in FIGS. 1-8 are to show environment and form no part of the claimed design.

**1 Claim, 8 Drawing Sheets**





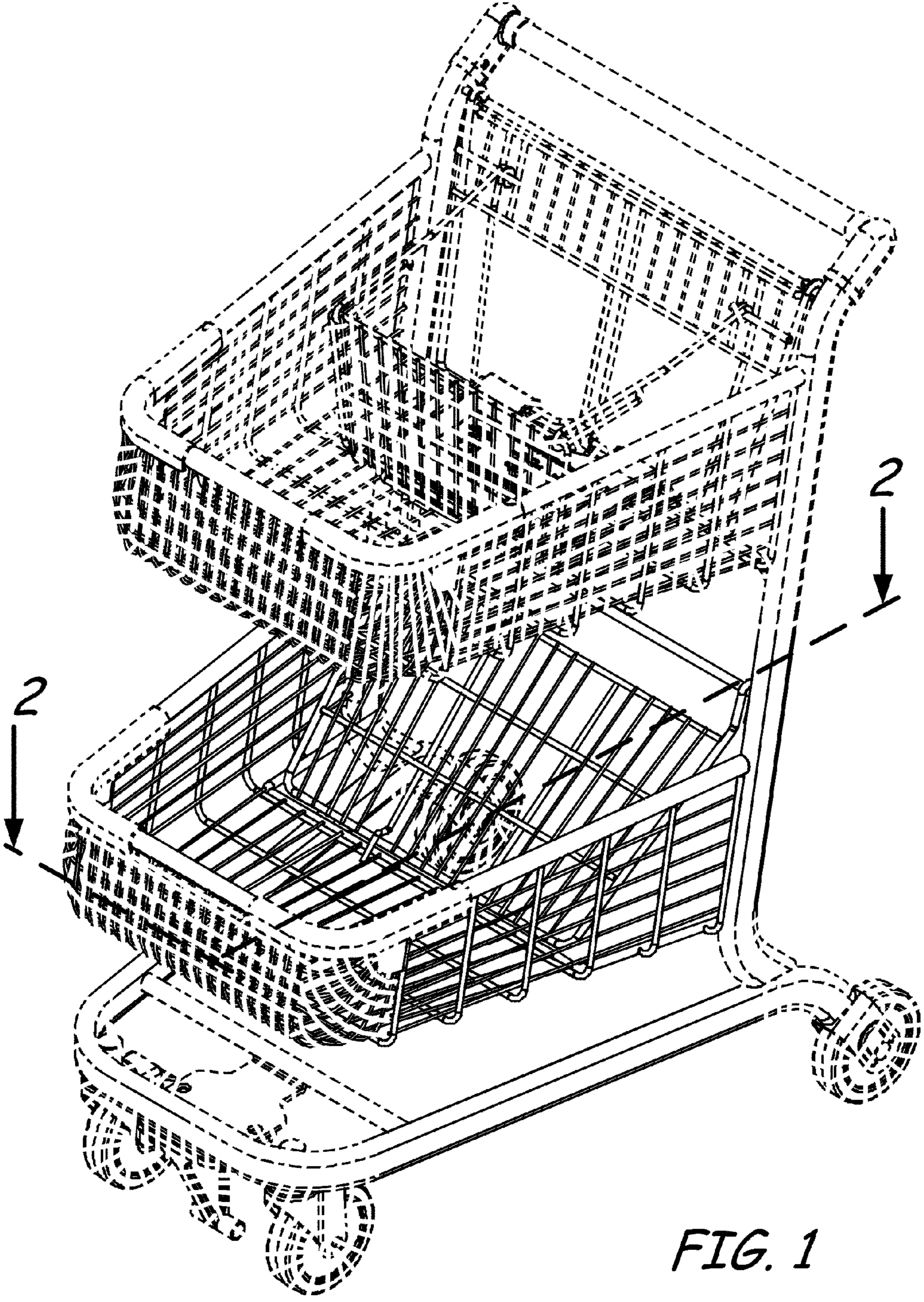
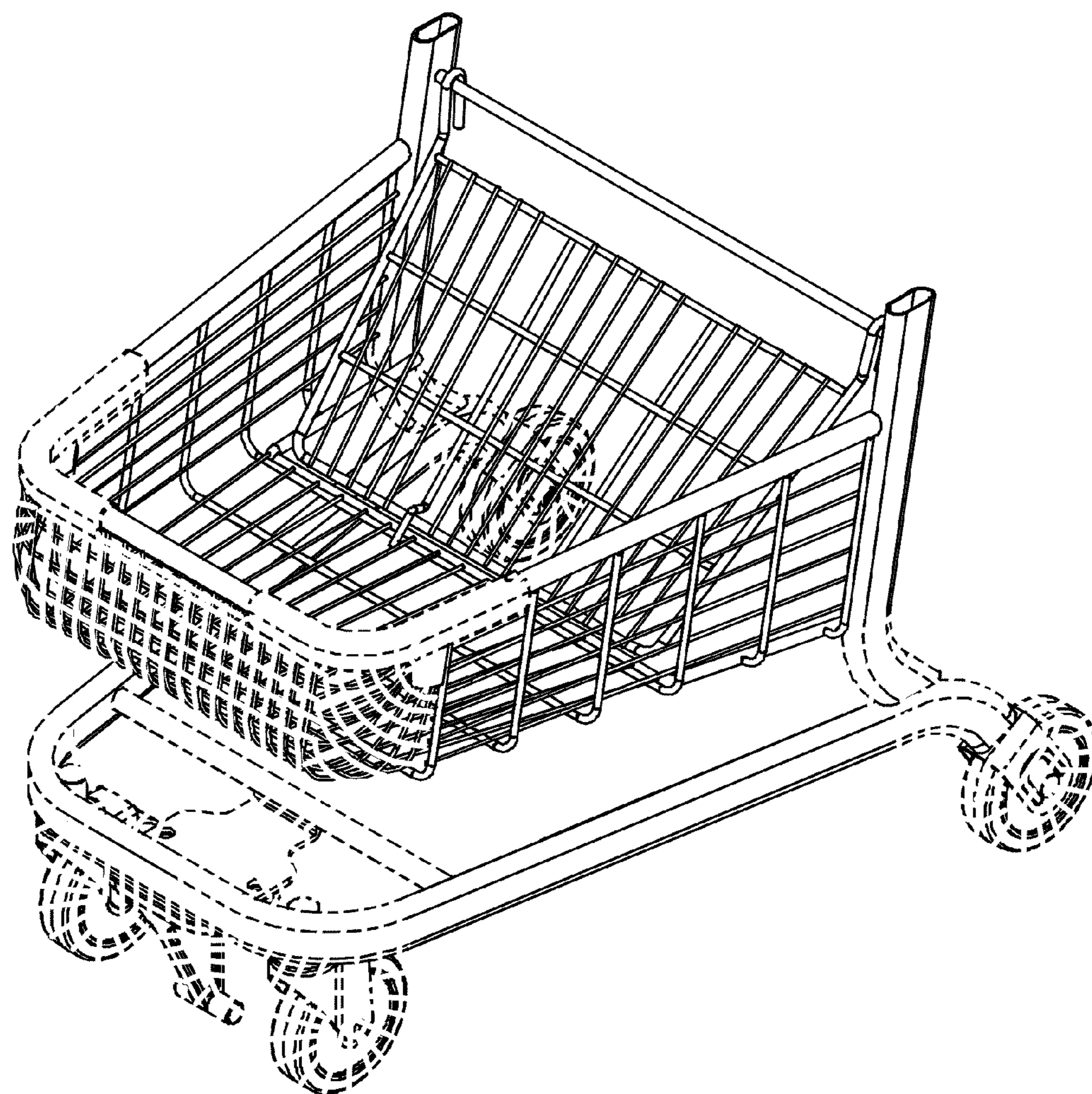
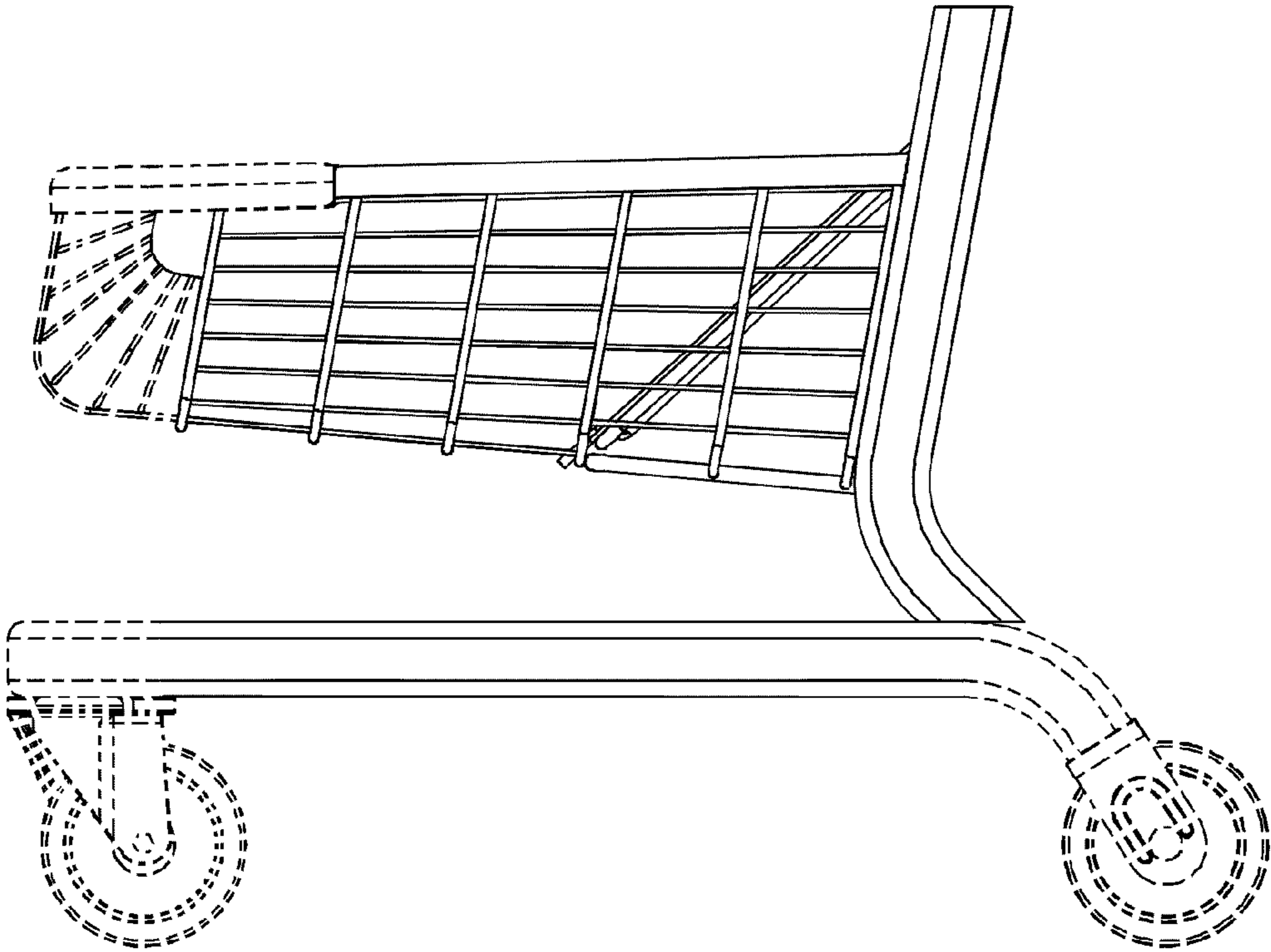


FIG. 1

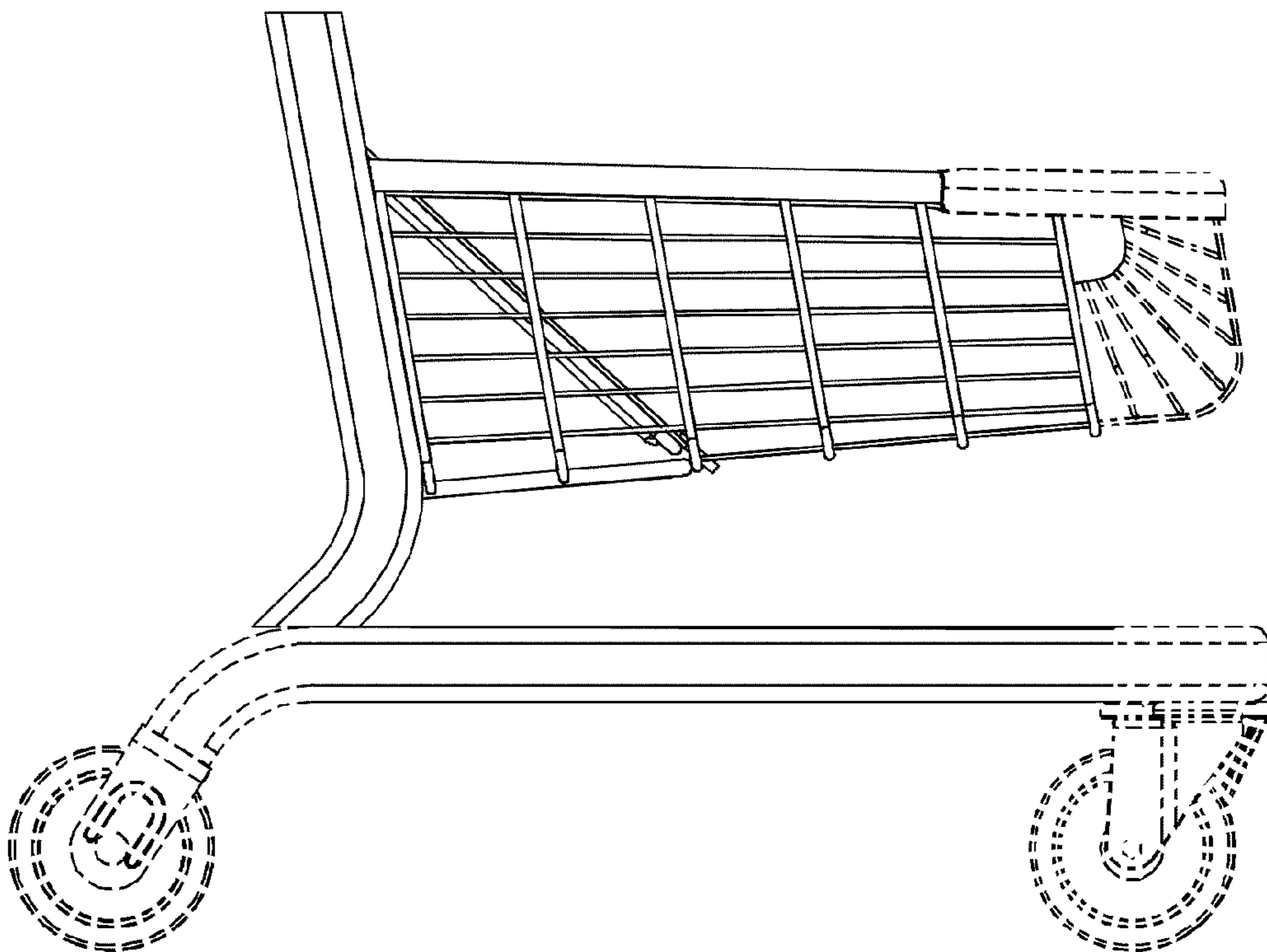


*FIG. 2*

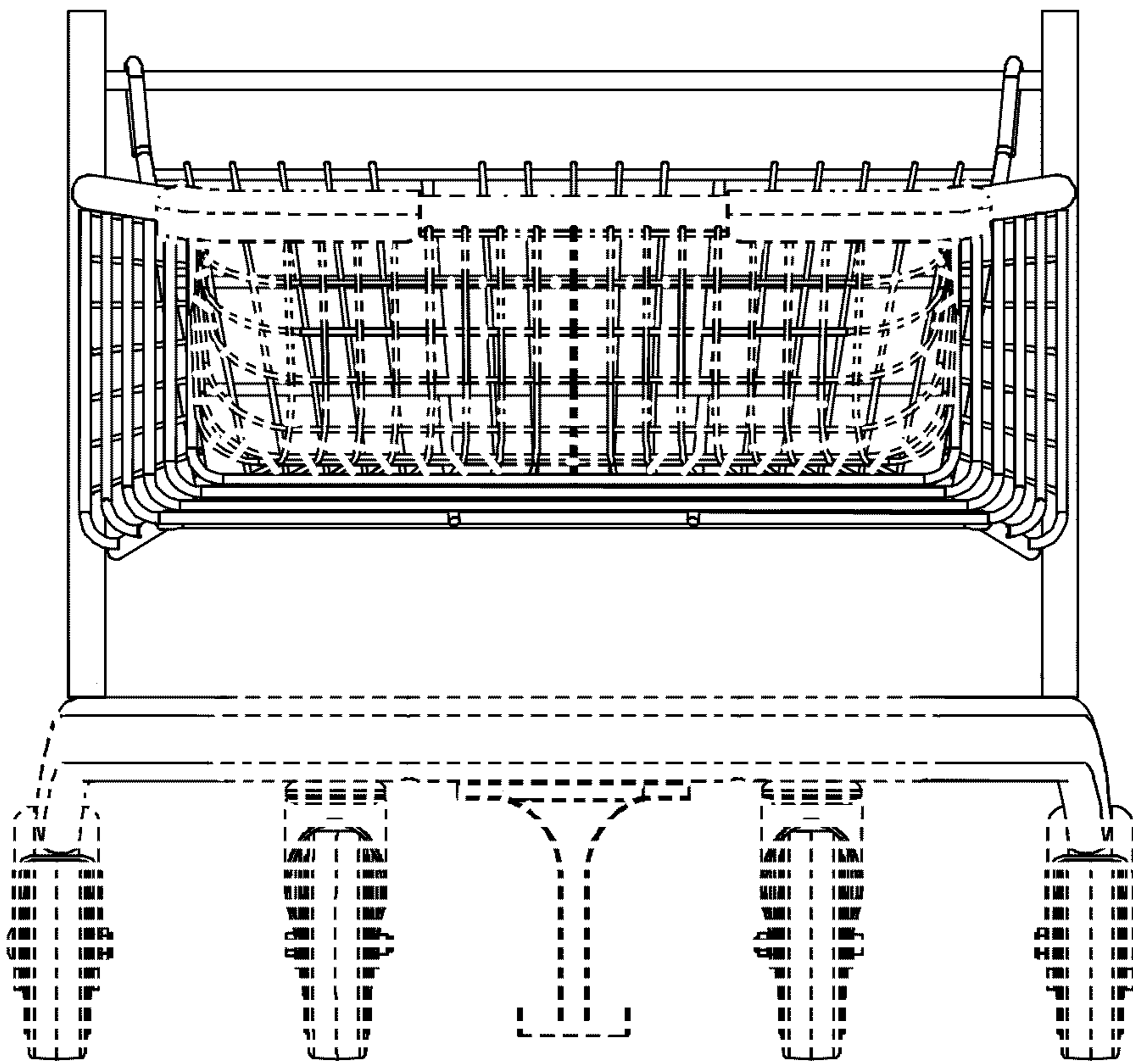




*FIG. 3*



*FIG. 4*



*FIG. 5*

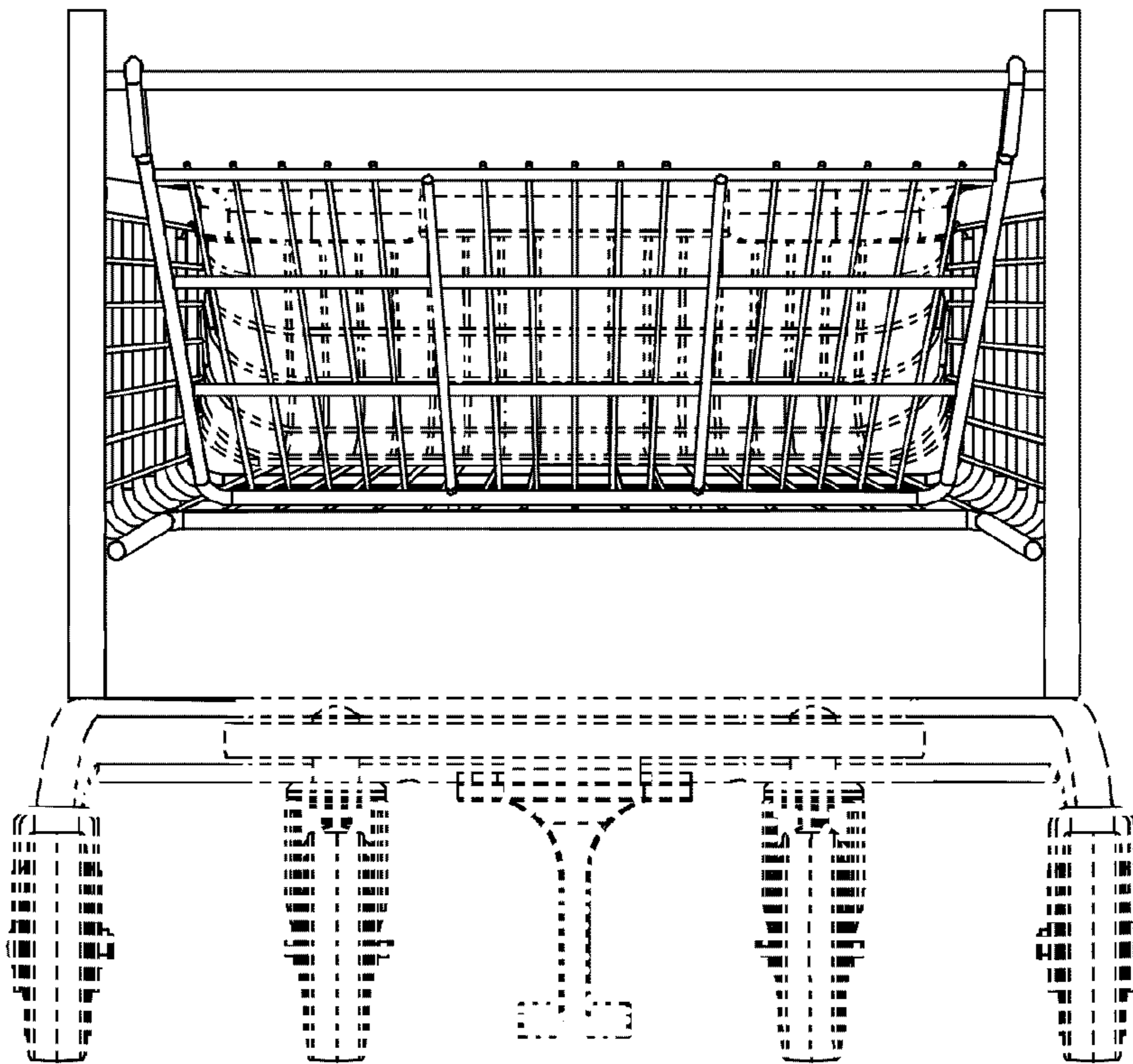
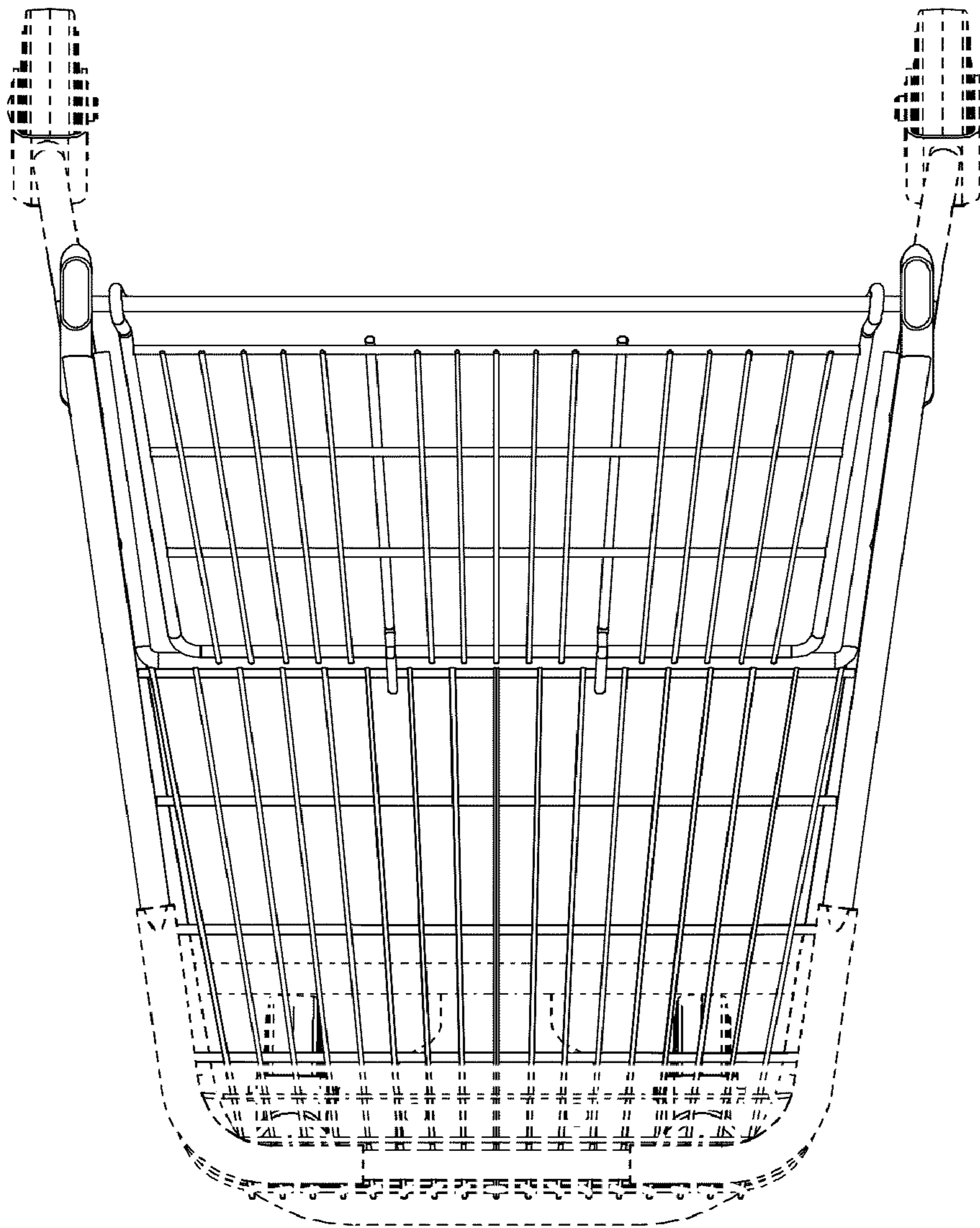


FIG. 6



*FIG. 7*



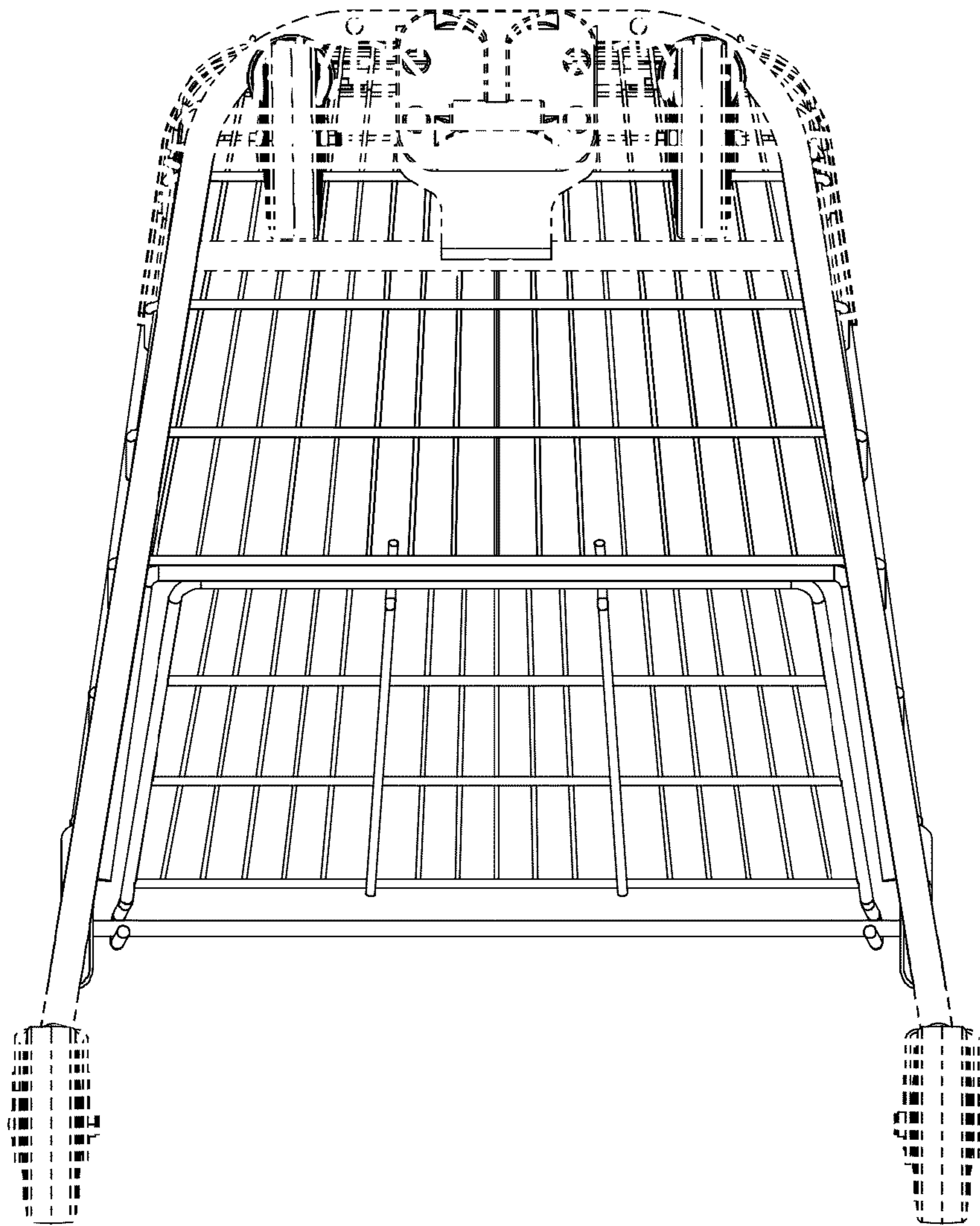


FIG. 8