



US00D643174S

(12) **United States Design Patent**
Raghunathan et al.

(10) **Patent No.:** **US D643,174 S**
(45) **Date of Patent:** **** Aug. 9, 2011**

(54) **REFUSE CONTAINER**

(75) Inventors: **Narayan Raghunathan**, Mississauga (CA); **Basil Thompson Martheenal**, Brampton (CA)

(73) Assignee: **Orbis Canada Limited**, Toronto, Ontario (CA)

(**) Term: **14 Years**

(21) Appl. No.: **29/368,338**

(22) Filed: **Aug. 23, 2010**

| | | | |
|-----------------|---------|-------------------------|-------|
| D388,577 S | 12/1997 | Rehrig et al. | |
| D398,120 S | 9/1998 | Rehrig et al. | |
| 5,881,901 A | 3/1999 | Hampton | |
| 5,899,468 A | 5/1999 | Apps et al. | |
| D445,228 S * | 7/2001 | Apps et al. | D34/5 |
| D491,328 S | 6/2004 | Aiken et al. | |
| 6,918,508 B2 | 7/2005 | Hwang | |
| D515,313 S | 2/2006 | Uffner et al. | |
| 7,017,773 B2 | 3/2006 | Gruber et al. | |
| 7,114,631 B2 | 10/2006 | Aiken | |
| 7,121,564 B2 | 10/2006 | Hassell | |
| D532,173 S | 11/2006 | Aiken et al. | |
| D535,448 S * | 1/2007 | Kilduff et al. | D34/5 |
| 7,287,665 B2 | 10/2007 | Meissen et al. | |
| D624,723 S * | 9/2010 | Raghunathan et al. | D34/5 |
| 2006/0065657 A1 | 3/2006 | Wong | |
| 2006/0076260 A1 | 4/2006 | Luburic | |

Related U.S. Application Data

(62) Division of application No. 29/308,783, filed on Jul. 7, 2008, now Pat. No. Des. 624,723.

Foreign Application Priority Data

Mar. 7, 2008 (CA) 125054
Jun. 27, 2008 (CA) 126678

(51) **LOC (9) Cl.** **09-09**

(52) **U.S. Cl.** **D34/5**

(58) **Field of Classification Search** D34/1-11;
220/908-911, 625, DIG. 12, DIG. 14

See application file for complete search history.

(56) **References Cited**

U.S. PATENT DOCUMENTS

| | | | |
|--------------|---------|-------------------|-------|
| 3,825,150 A | 7/1974 | Wong | |
| 4,349,121 A | 9/1982 | Lafferty | |
| 4,753,367 A | 6/1988 | Miller et al. | |
| 5,160,063 A | 11/1992 | Bailey | |
| 5,184,836 A | 2/1993 | Andrews, Jr. | |
| D347,095 S | 5/1994 | Apps et al. | |
| 5,377,858 A | 1/1995 | Morris, Sr. | |
| D355,741 S * | 2/1995 | Craft et al. | D34/5 |
| 5,445,397 A | 8/1995 | Evans | |
| 5,555,996 A | 9/1996 | Lang-Ree et al. | |

FOREIGN PATENT DOCUMENTS

| | | |
|----|----------|--------|
| CA | ID125054 | 4/2009 |
| CA | ID126678 | 4/2009 |
| GB | 2453055 | 3/2009 |

* cited by examiner

Primary Examiner — Cynthia Ramirez

(74) *Attorney, Agent, or Firm* — Ungaretti & Harris LLP

(57) **CLAIM**

The ornamental design for the refuse container, as shown and described in the accompanying figures.

DESCRIPTION

FIG. 1 is a front perspective view of the refuse container according to the present invention;

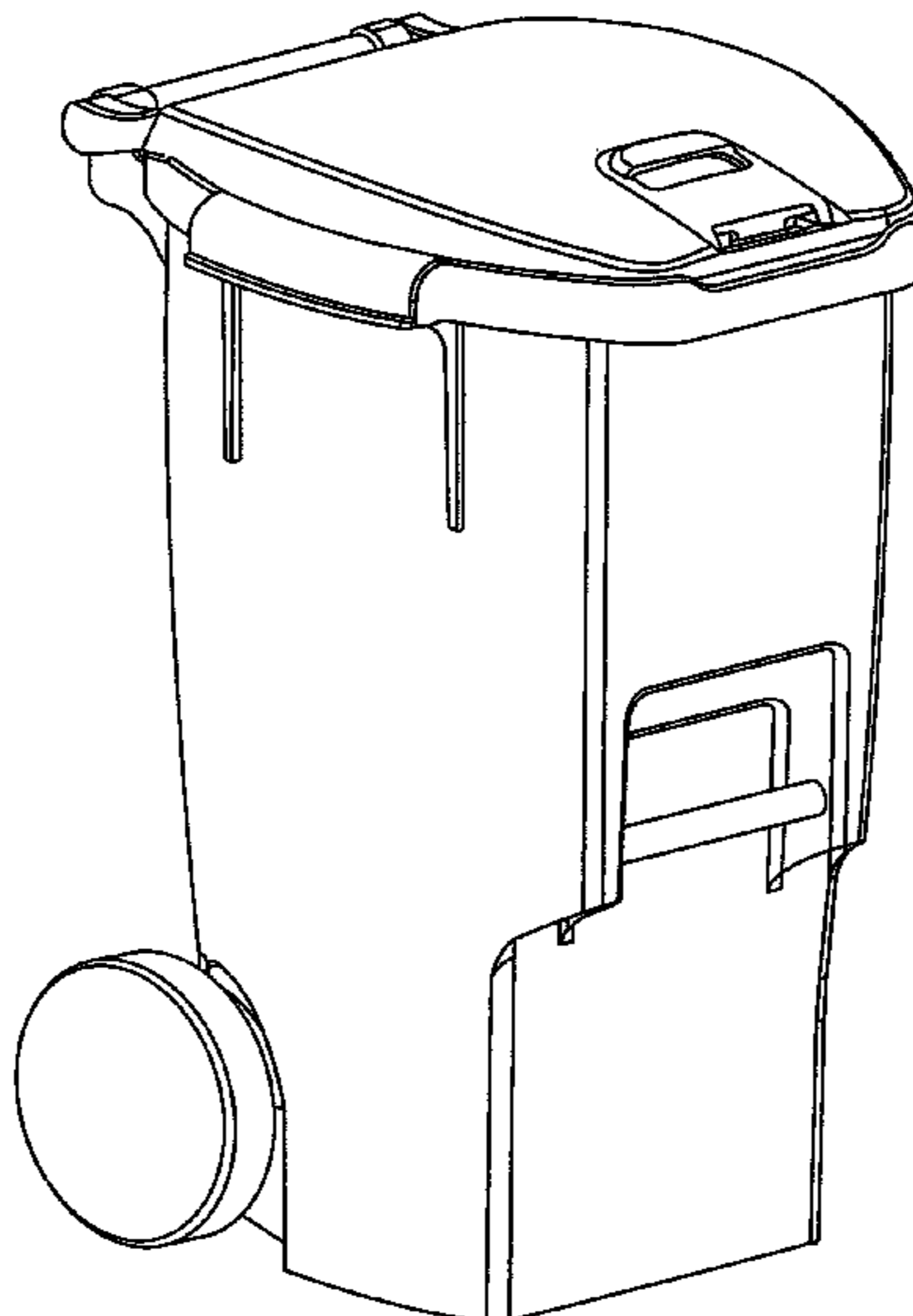
FIG. 2 is a side elevation view, of the refuse container of FIG. 1; the opposite side being a mirror image thereof;

FIG. 3 is a top plan view of the refuse container of FIG. 1;

FIG. 4 is a front elevation view of the refuse container of FIG. 1; and,

FIG. 5 is a rear elevation view of the refuse container of FIG. 1.

1 Claim, 5 Drawing Sheets



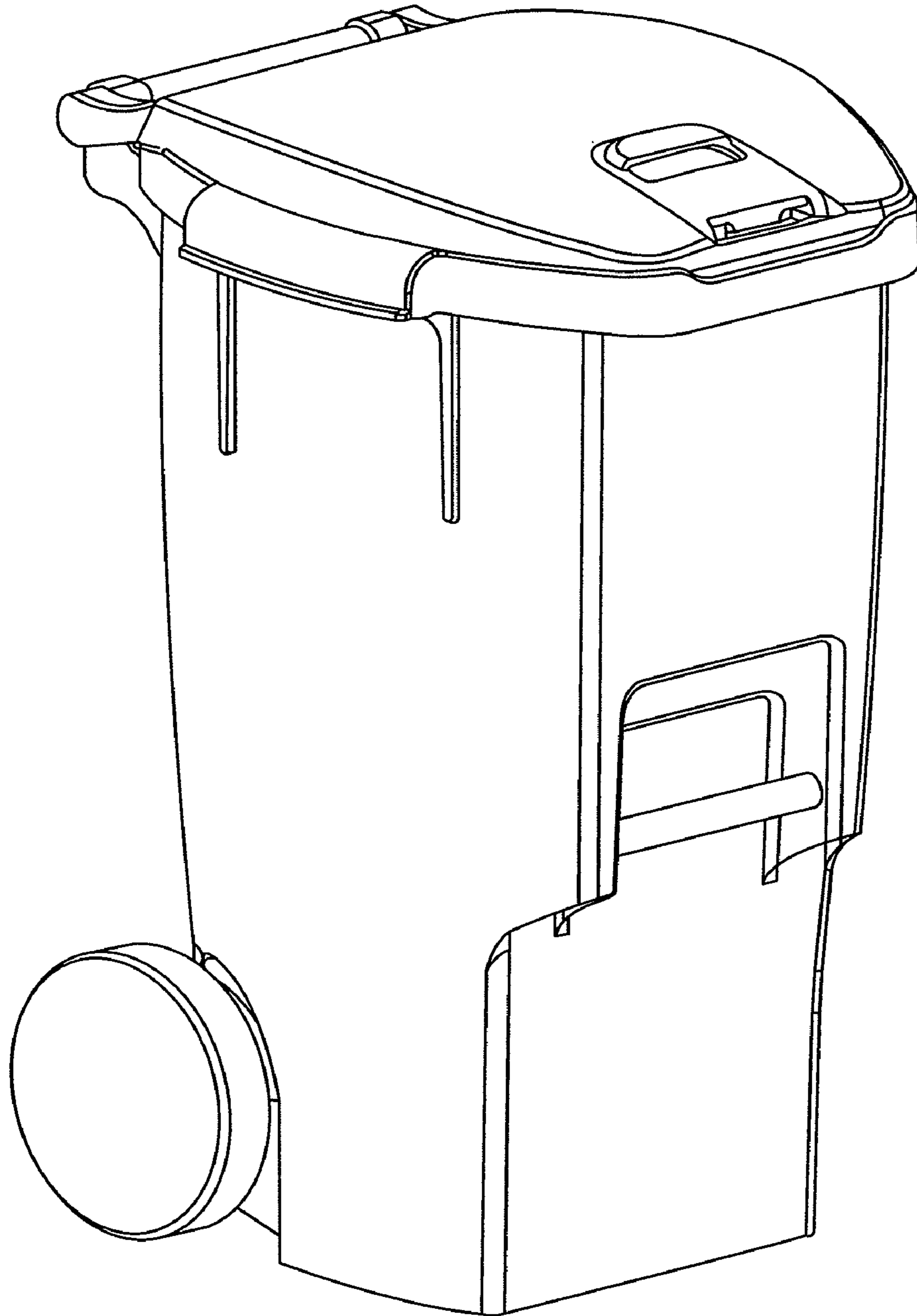


FIG. 1

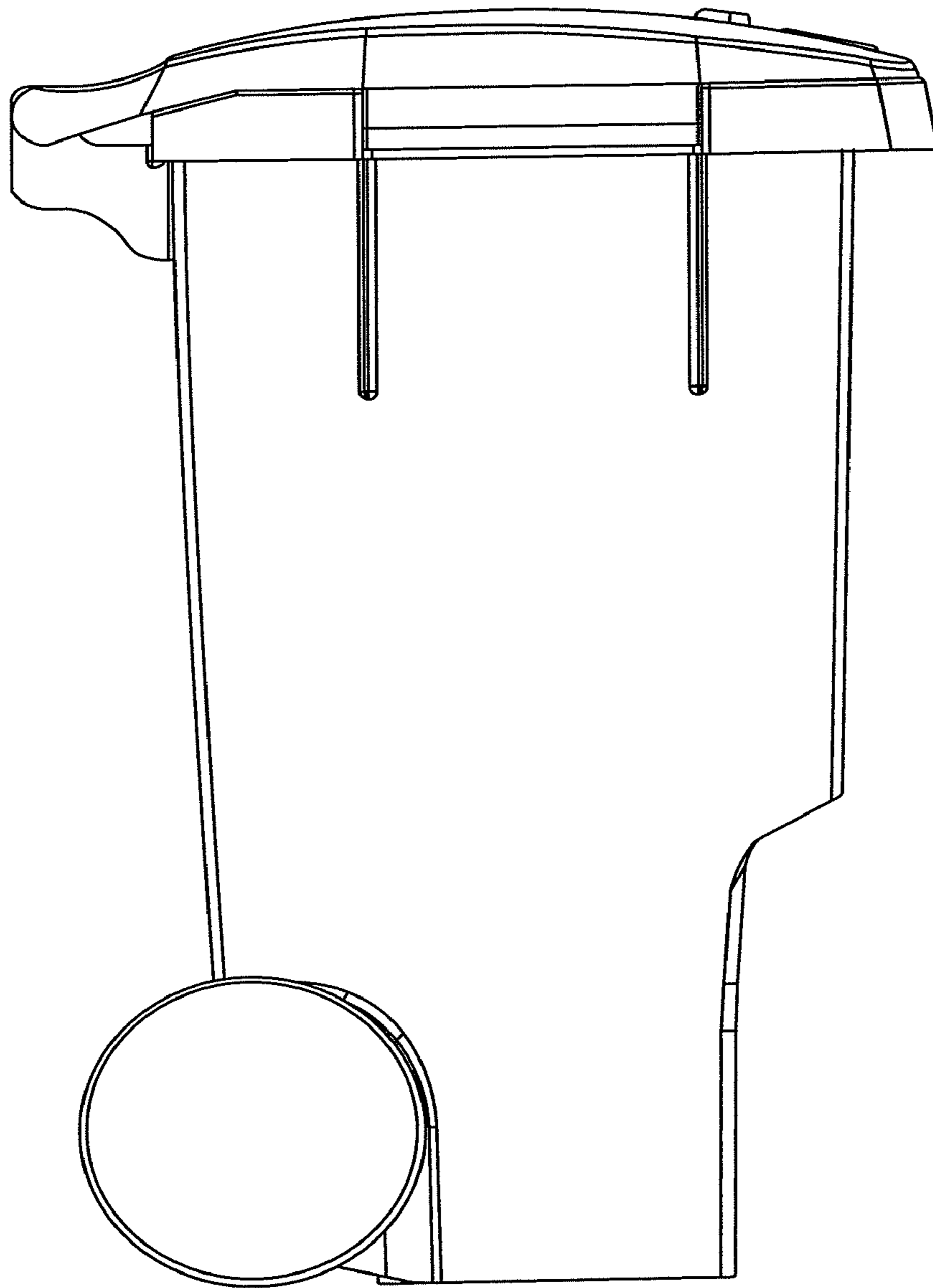


FIG. 2

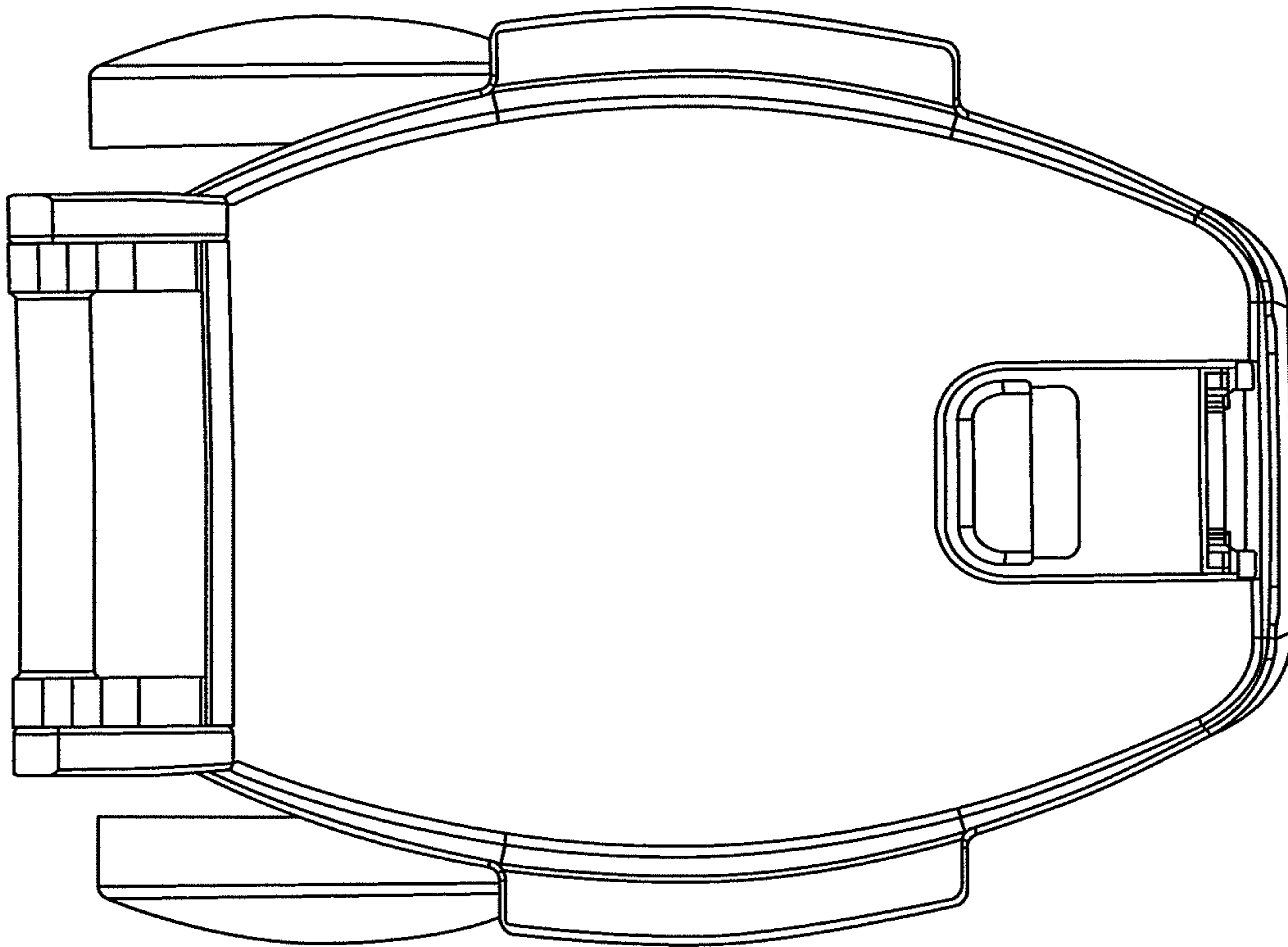


FIG. 3

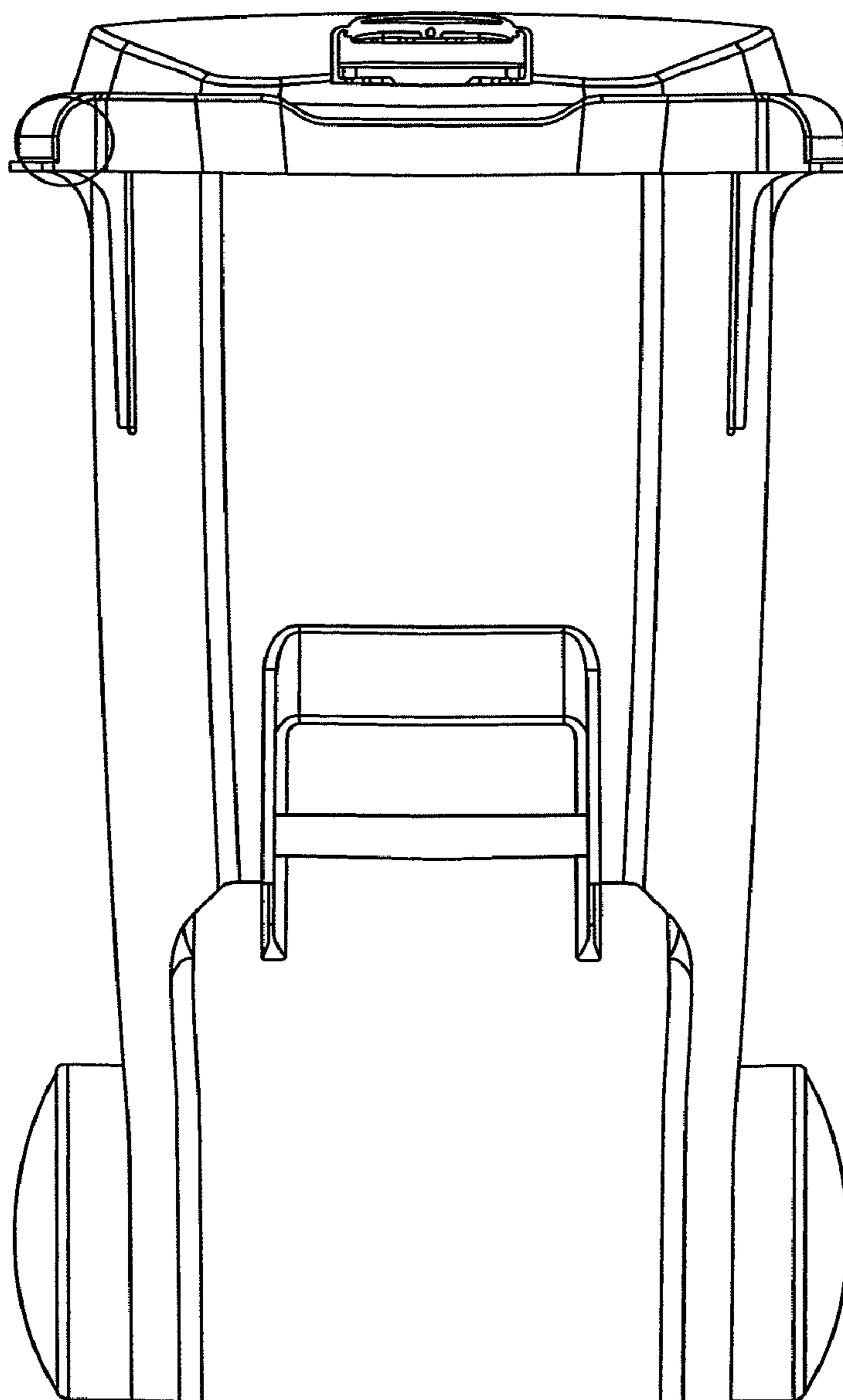


FIG. 4

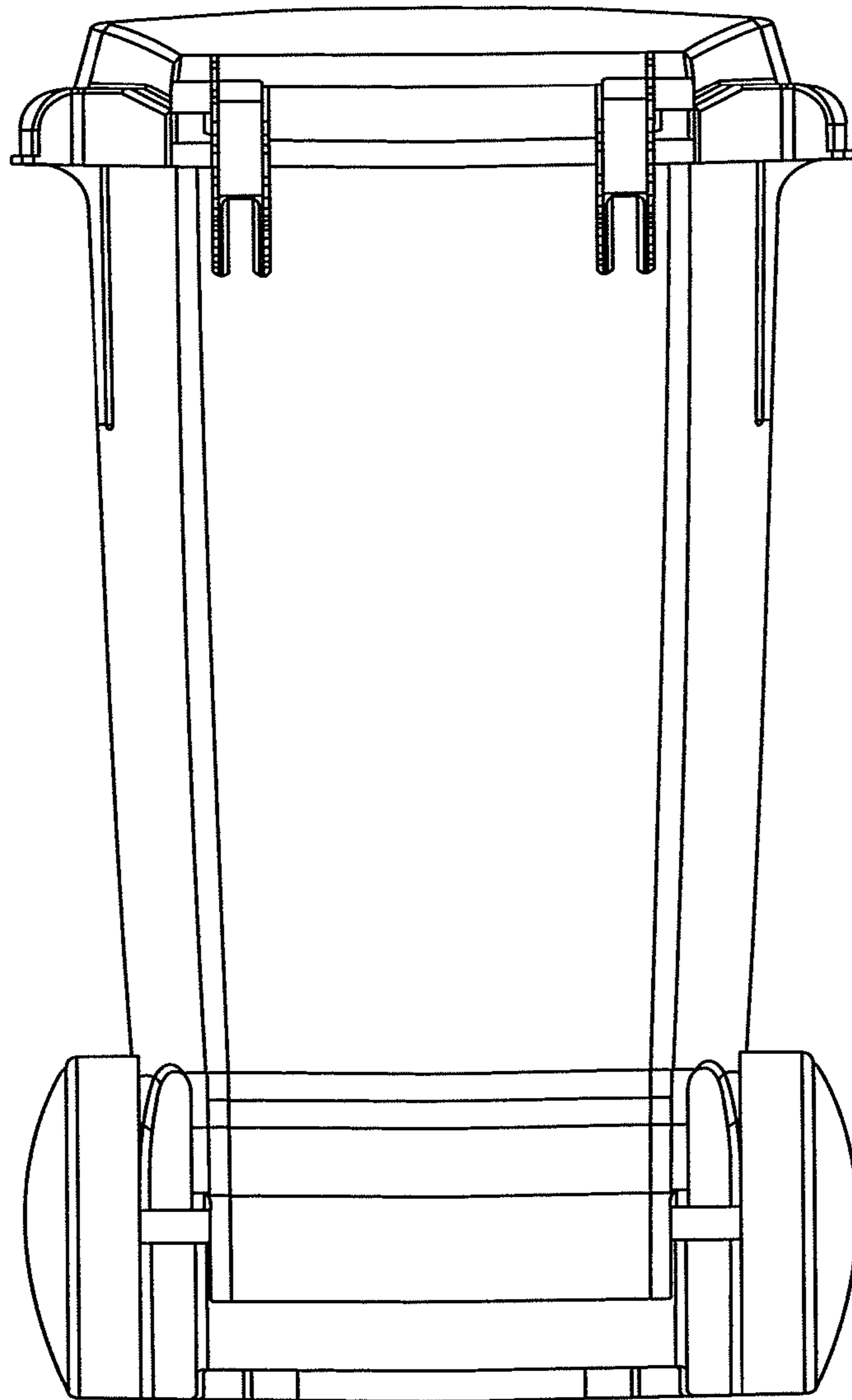


FIG. 5