



US00D643171S

(12) **United States Design Patent**  
**Morad et al.**

(10) **Patent No.:** **US D643,171 S**

(45) **Date of Patent:** **\*\* Aug. 9, 2011**

(54) **ONE-PIECE MOLDED TRASH CAN WITH  
ACCESSORY HOLDERS MOLDED INTO THE  
SIDE OF THE TRASH CAN**

D566,365 S \* 4/2008 Wentz et al. .... D34/1  
D603,572 S \* 11/2009 Morad et al. .... D34/1  
2004/0256817 A1\* 12/2004 Sandoval ..... 280/47.26

\* cited by examiner

(75) Inventors: **Fred I. Morad**, Toluca Lake, CA (US);  
**William P. Camp, Jr.**, Vanlue, OH (US)

*Primary Examiner* — Cynthia E Ramirez

(74) *Attorney, Agent, or Firm* — Thomas I. Rozsa

(73) Assignee: **Worldwide Integrated Resources, Inc.**,  
Montebello, CA (US)

(57) **CLAIM**

The ornamental design for a one-piece molded trash can with accessory holders molded into the side of the trash can, as shown and described.

(\*\*) Term: **14 Years**

(21) Appl. No.: **29/313,428**

**DESCRIPTION**

(22) Filed: **Jan. 5, 2009**

(51) **LOC (9) Cl.** ..... **09-09**

(52) **U.S. Cl.** ..... **D34/1**

(58) **Field of Classification Search** ..... D34/1;  
220/908-911

See application file for complete search history.

FIG. 1 is a perspective view of a one-piece molded trash can with accessory holders molded into the side of the trash can, showing my design;

FIG. 2 is a front elevational view;

FIG. 3 is a rear elevational view;

FIG. 4 is a side elevational view when viewed from the left side;

FIG. 5 is a side elevational view when viewed from the right side;

FIG. 6 is a top plan view; and,

FIG. 7 is a bottom plan view.

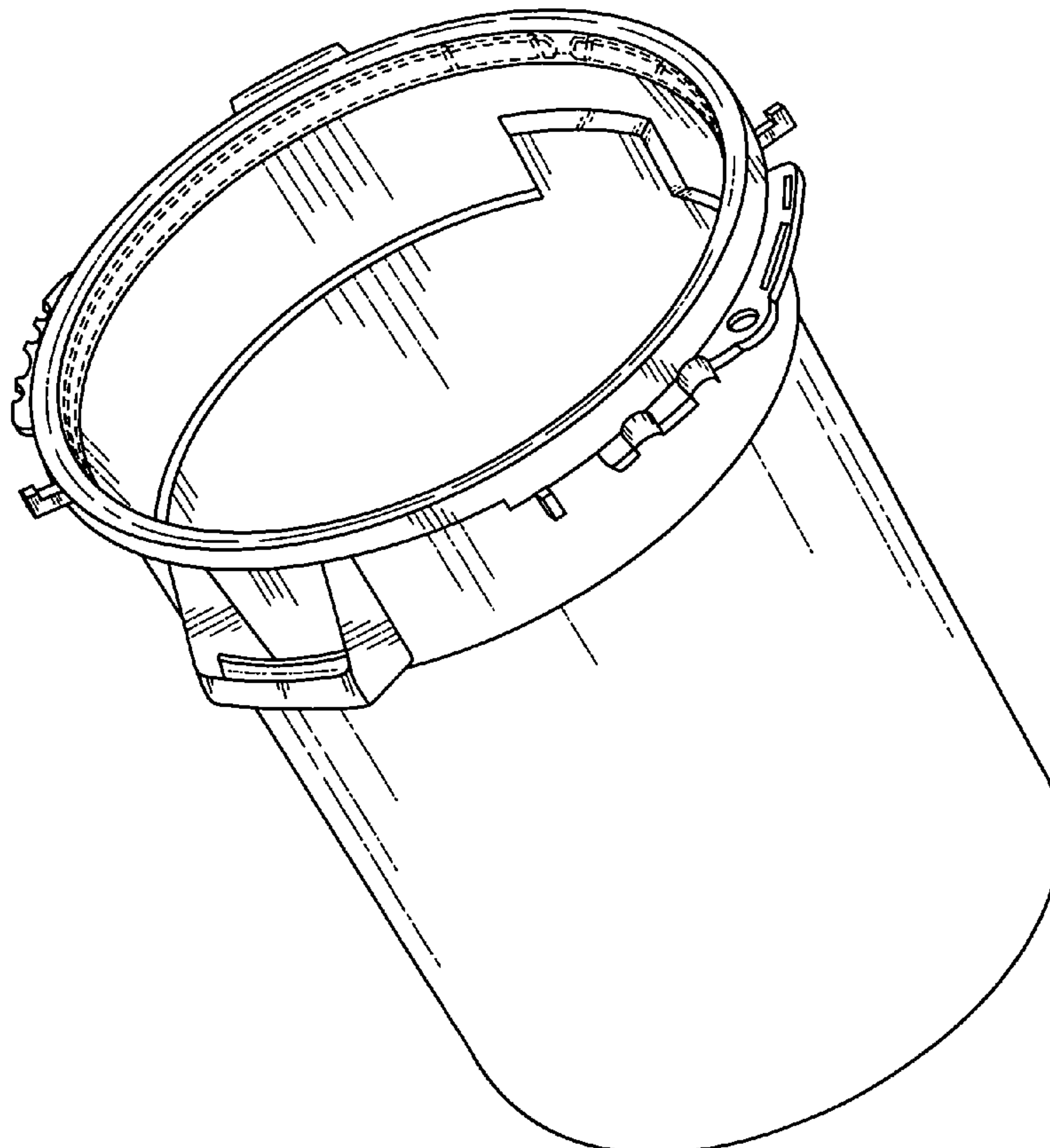
The broken lines indicate the disclaimed portions and form no part of the claimed design.

(56) **References Cited**

**U.S. PATENT DOCUMENTS**

4,947,998 A \* 8/1990 Smeller ..... 211/70.6  
D355,511 S \* 2/1995 Cassel ..... D34/1  
D355,514 S \* 2/1995 Breen ..... D34/1  
D376,235 S \* 12/1996 Presnell ..... D34/1  
D520,702 S \* 5/2006 Miller ..... D34/1

**1 Claim, 7 Drawing Sheets**



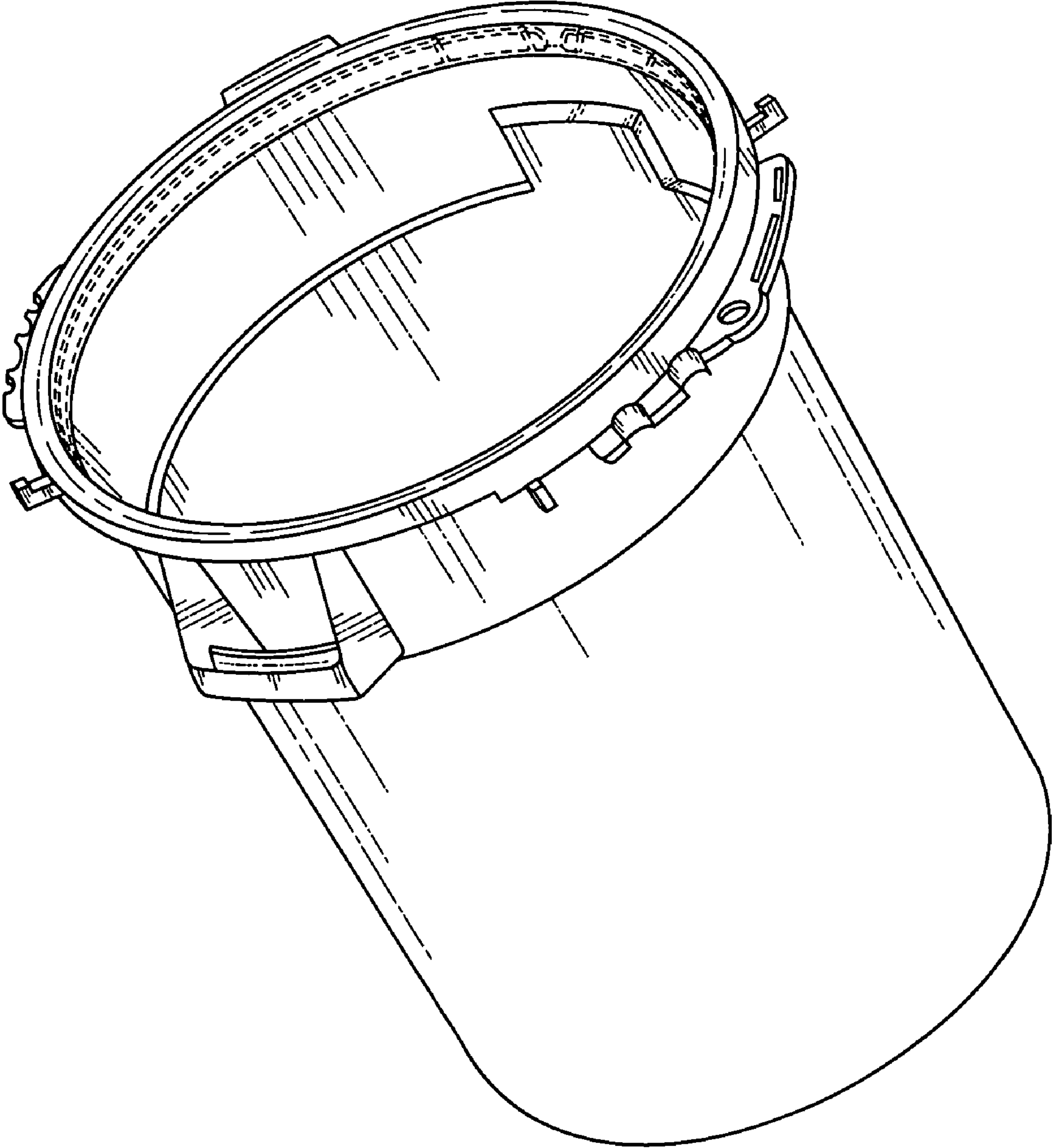


FIG. 1

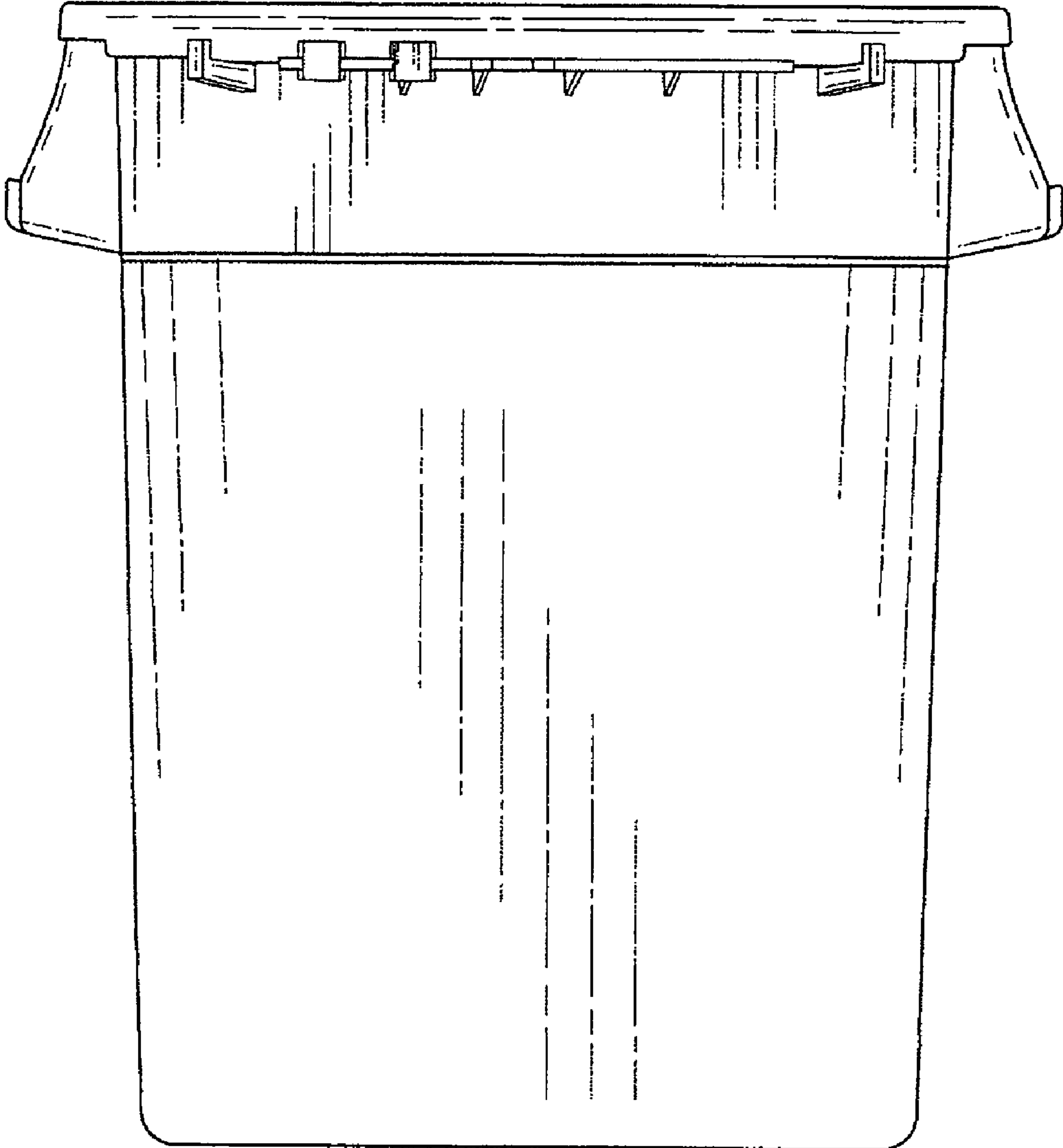


FIG. 2

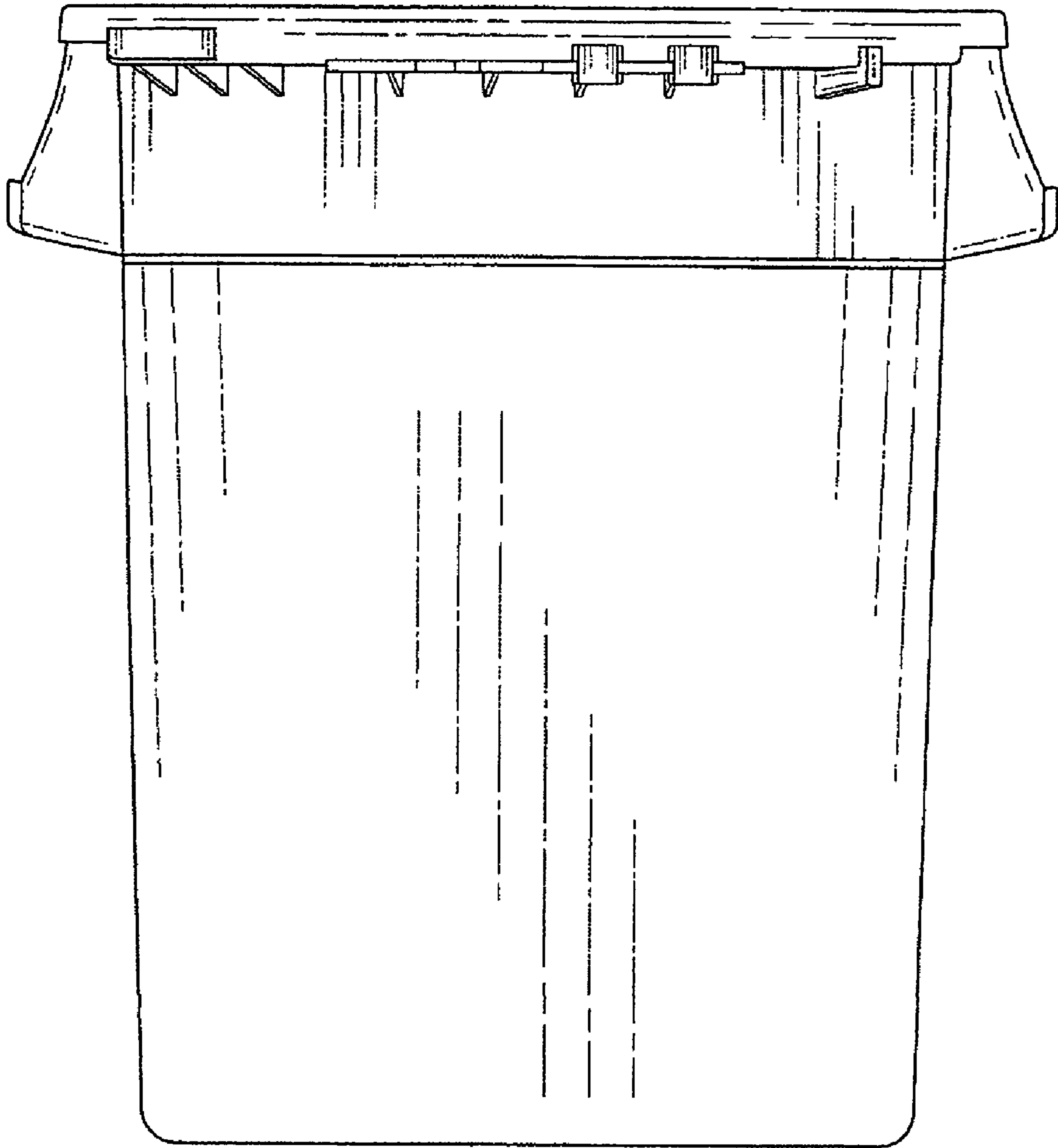


FIG. 3

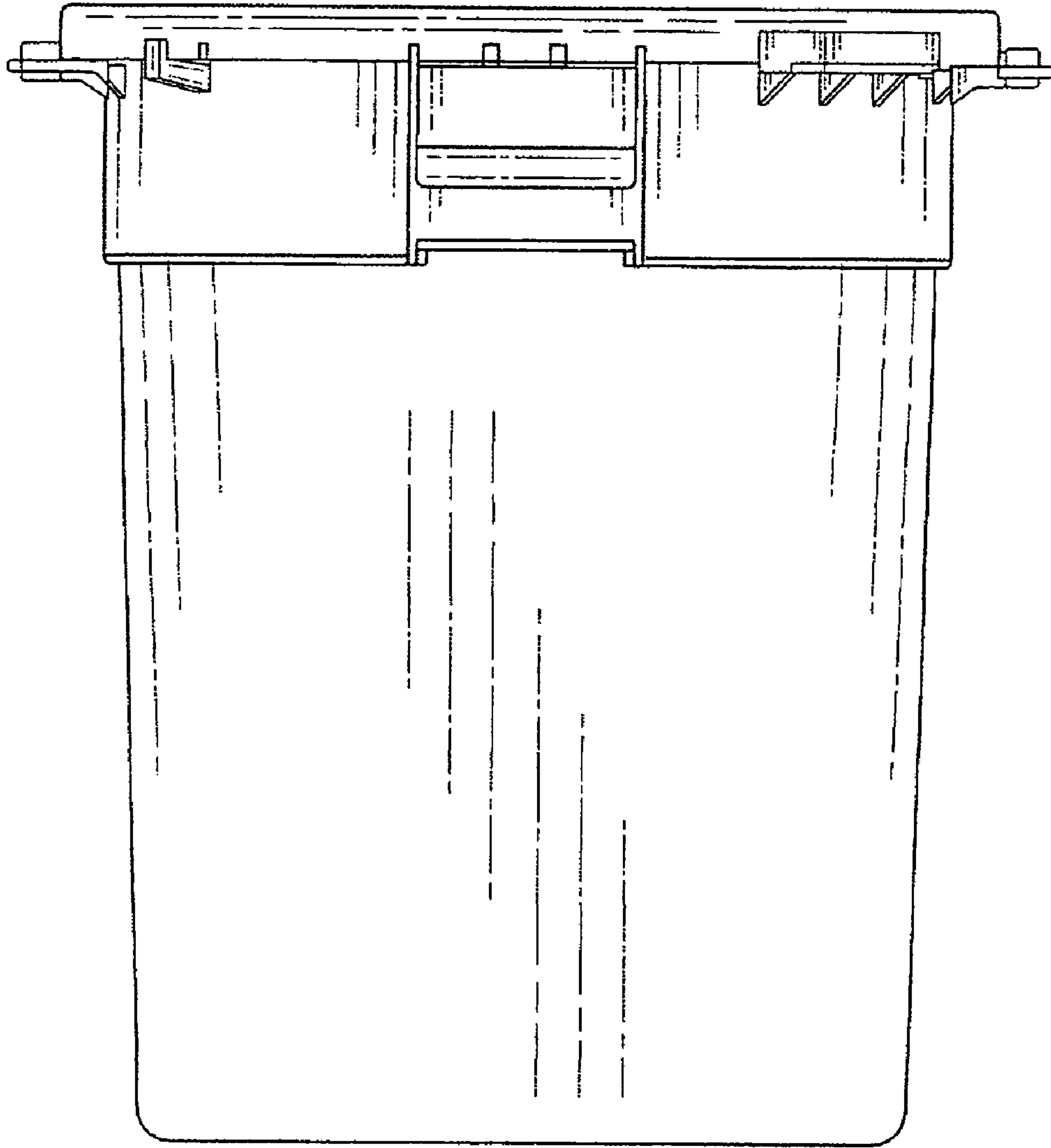


FIG. 4

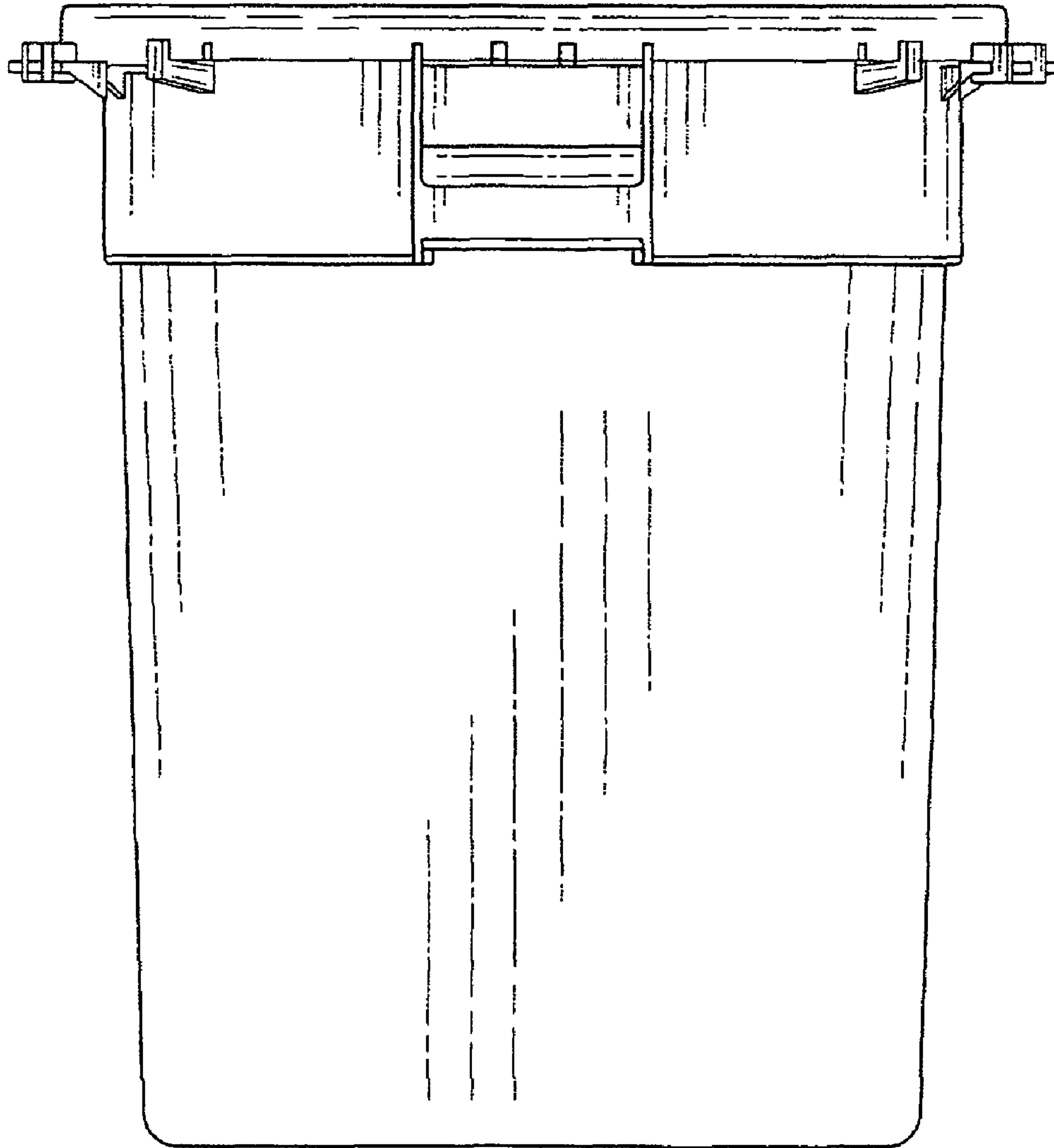


FIG. 5



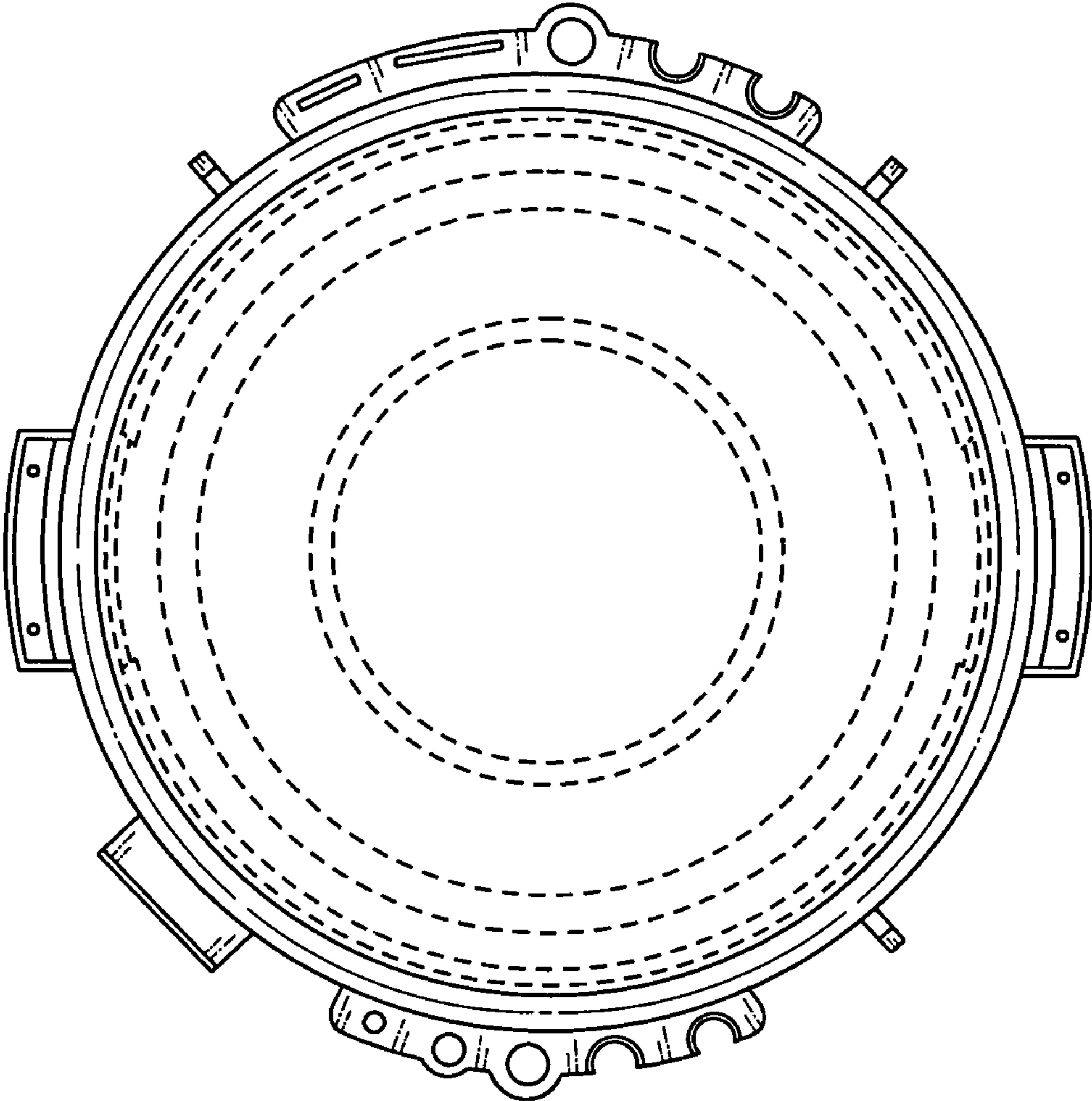


FIG. 6

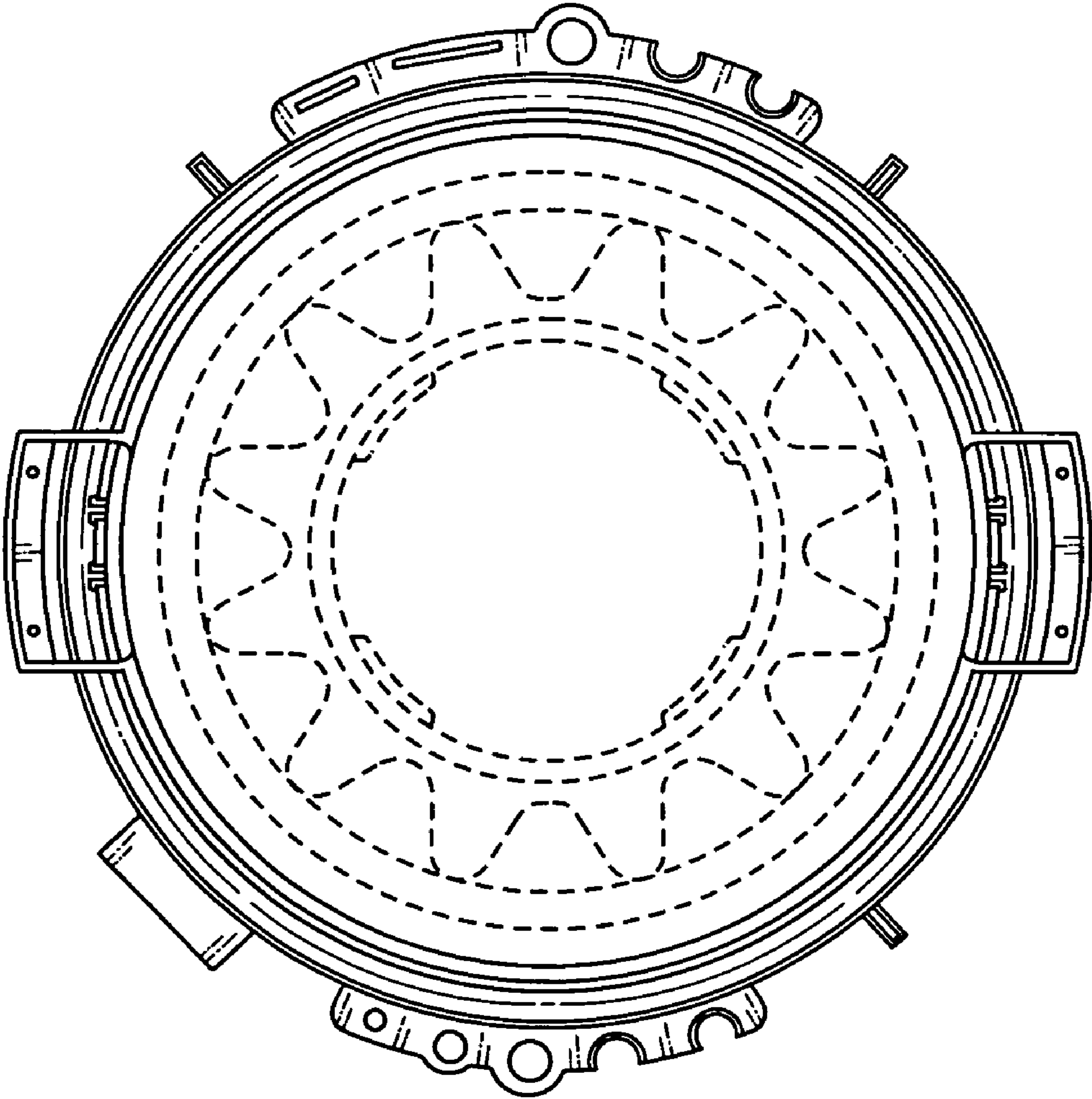


FIG. 7