



US00D643169S

(12) **United States Design Patent**
Calvert

(10) **Patent No.:** **US D643,169 S**

(45) **Date of Patent:** **** Aug. 9, 2011**

(54) **VACUUM CLEANER FLOOR TOOL**

(75) **Inventor:** **Brady Calvert**, Boise, ID (US)

(73) **Assignee:** **Emerson Electric Co.**, St. Louis, MO (US)

(**) **Term:** **14 Years**

(21) **Appl. No.:** **29/362,162**

(22) **Filed:** **May 20, 2010**

(51) **LOC (9) Cl.** **15-05**

(52) **U.S. Cl.** **D32/33**

(58) **Field of Classification Search** D32/50,
D32/17, 31-33, 22, 51, 38-40, 45, 25, 49;
15/182, 179, 168, 228, 319, 403, 209.1, 52,
15/1, 246.3, 320-322, 415.1-422.1, 414,
15/412, 354, 362, 366, 374, 400, 327.1, 329,
15/41.1, 42, 48, 171, 176.1, 159.1, 339, 208,
15/372, 385, 115, 106; 401/138-139; 68/222;
134/198, 105

See application file for complete search history.

(56) **References Cited**

U.S. PATENT DOCUMENTS

D157,774 S	3/1950	Minerley	
2,522,882 A	9/1950	Lofgren	
2,659,925 A	11/1953	Wood	
D178,746 S *	9/1956	Andersson-Sason D32/33
D178,747 S *	9/1956	Andersson-Sason D32/32
2,793,384 A	5/1957	Ortega	
2,822,565 A	2/1958	Dow	
D182,303 S	3/1958	Reading et al.	
2,844,841 A	7/1958	Bergquist	
2,857,615 A	10/1958	Anderson	
D186,462 S	11/1958	Weiss	
2,867,835 A	1/1959	Brown, Jr. et al.	
3,029,461 A	4/1962	Osborn	
3,069,716 A	12/1962	Smith	
3,107,387 A	10/1963	Katt	
3,117,338 A *	1/1964	Stevens 15/400

3,210,792 A	10/1965	Sassano	
3,382,525 A	5/1968	Belicka	
3,571,841 A	3/1971	Crouser	
3,584,330 A	6/1971	Wallin et al.	
3,950,813 A	4/1976	Buck	
4,124,915 A	11/1978	Schlicher	
D255,359 S	6/1980	Bartlett	
4,300,262 A	11/1981	Rodowsky, Jr. et al.	
D266,707 S	10/1982	Buneya	
D281,759 S	12/1985	Filippini	
D294,111 S	2/1988	Stroud	
4,864,681 A	9/1989	Hult et al.	
D311,615 S *	10/1990	Berfield et al. D32/32
4,989,294 A	2/1991	Fischer	

(Continued)

FOREIGN PATENT DOCUMENTS

AT 222082 B 7/1962

(Continued)

Primary Examiner — Ruth McInroy

(74) *Attorney, Agent, or Firm* — Locke Lord Bissell & Liddell LLP

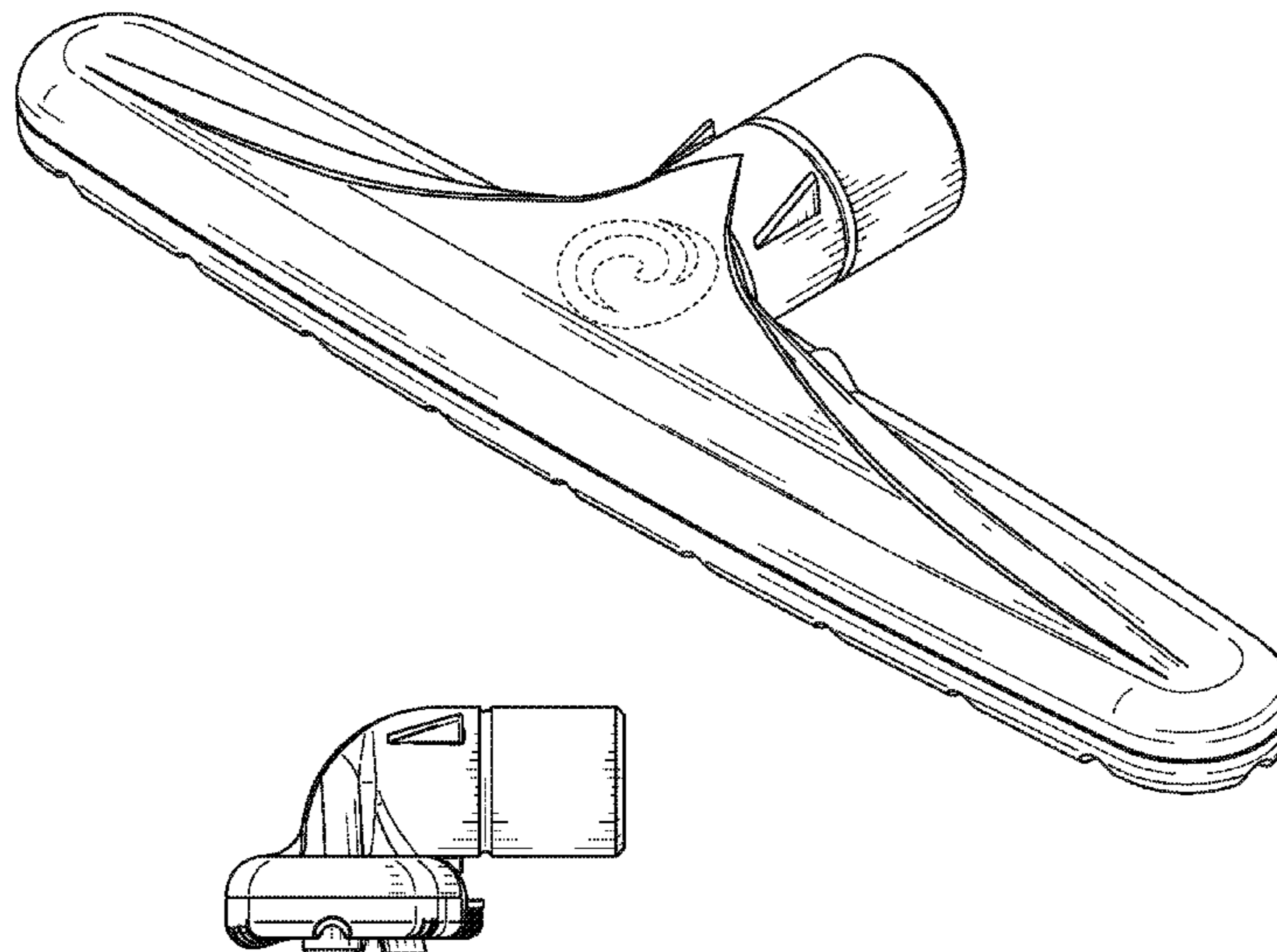
(57) **CLAIM**

The ornamental design for a vacuum cleaner floor tool, as shown and described.

DESCRIPTION

FIG. 1 is a front perspective view of a vacuum cleaner floor tool showing my new design; FIG. 2 is a top plan view thereof; FIG. 3 is a bottom plan view thereof; FIG. 4 is a right side view thereof; FIG. 5 is a left side view thereof; FIG. 6 is a front elevational view thereof; and, FIG. 7 is a back elevational view thereof. The broken lines are for the purpose of illustrating exemplary environmental structure and form no part of the claimed design.

1 Claim, 3 Drawing Sheets



US D643,169 S

Page 2

U.S. PATENT DOCUMENTS

5,184,372 A 2/1993 Mache
5,419,007 A 5/1995 Hult et al.
5,634,238 A 6/1997 McCaffrey et al.
D381,144 S * 7/1997 Moine et al. D32/32
5,659,923 A 8/1997 Coombs
5,706,550 A * 1/1998 Holsten et al. 15/400
D392,780 S * 3/1998 Holsten et al. D32/33
D395,104 S 6/1998 Huang
5,765,259 A 6/1998 Cika
5,987,700 A 11/1999 Edlund
D424,766 S * 5/2000 Martin D32/32
D427,737 S 7/2000 Dyson et al.
D430,714 S 9/2000 Song
D439,711 S * 3/2001 Griffin D32/32
6,243,914 B1 6/2001 Studebaker
D455,242 S 4/2002 Dyson et al.
6,421,875 B1 * 7/2002 Coombs et al. 15/420
D468,499 S * 1/2003 Kitts D32/32

D473,356 S 4/2003 Archer et al.
D494,327 S 8/2004 Song
6,842,942 B2 1/2005 Morgan et al.
D515,756 S 2/2006 Allard et al.
D518,259 S * 3/2006 Wertz D32/33
D522,197 S * 5/2006 Dyson et al. D32/32
D563,615 S * 3/2008 Roschi D32/32
D566,356 S 4/2008 Medema
D573,761 S 7/2008 Williams et al.
D580,611 S * 11/2008 Roschi D32/33
D599,065 S * 8/2009 Roschi D32/32
D602,217 S 10/2009 Osborn et al.
D602,664 S 10/2009 Crawford et al.
2005/0262662 A1 12/2005 Roschi et al.

FOREIGN PATENT DOCUMENTS

EP 1 120 076 B1 4/2004

* cited by examiner

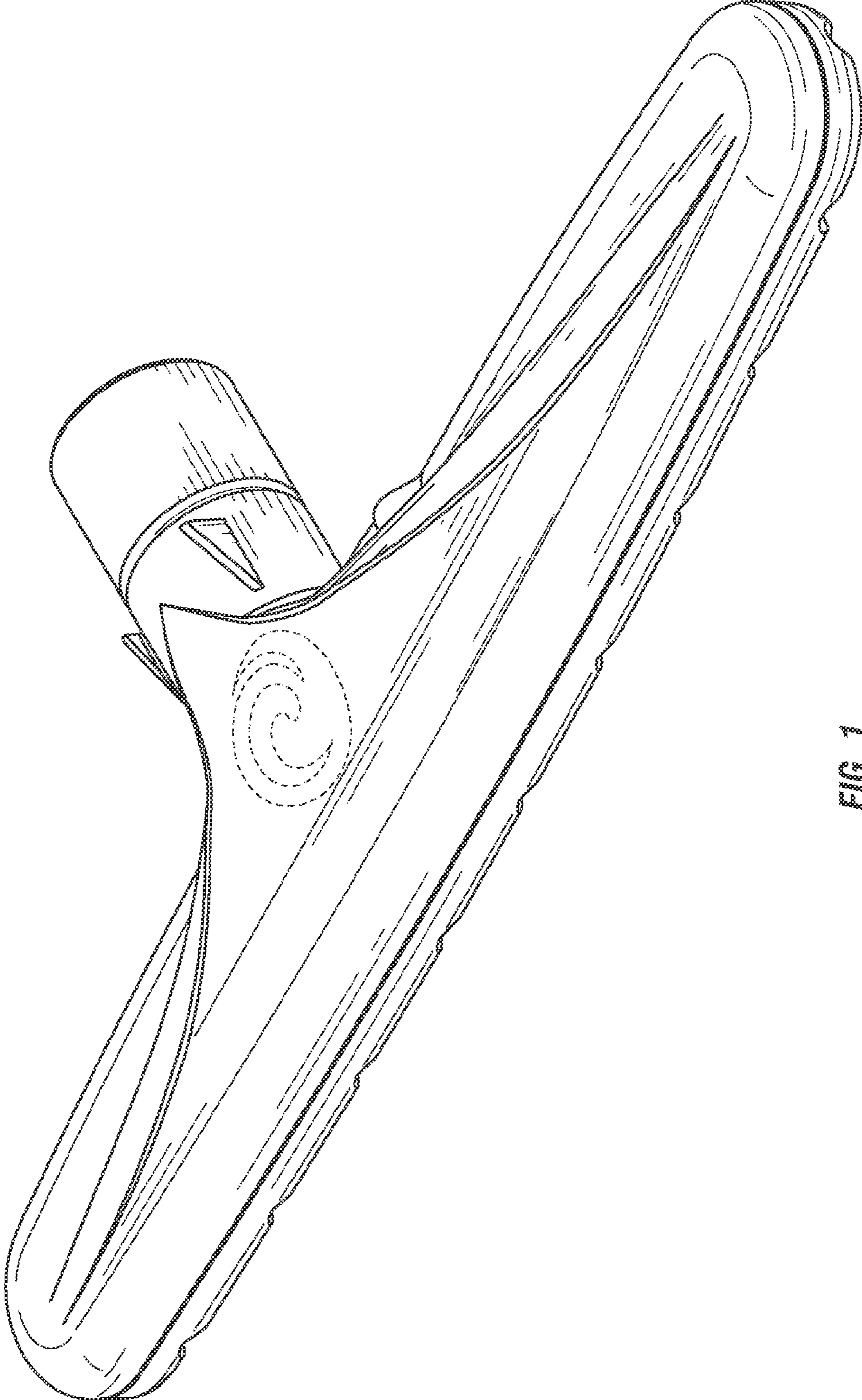


FIG. 1

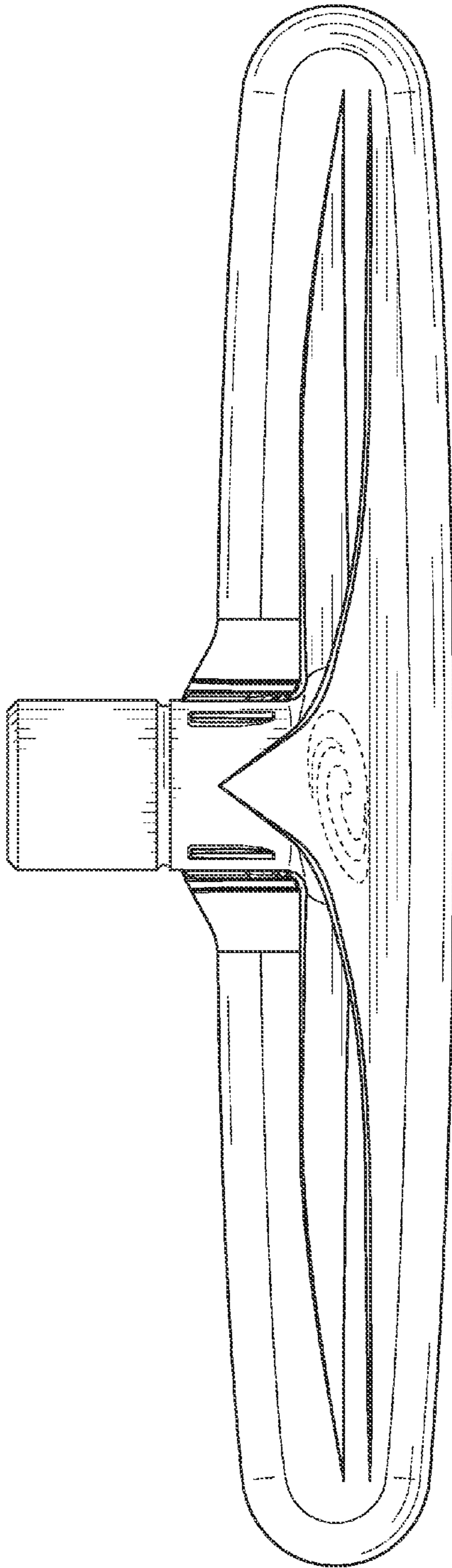


FIG. 2

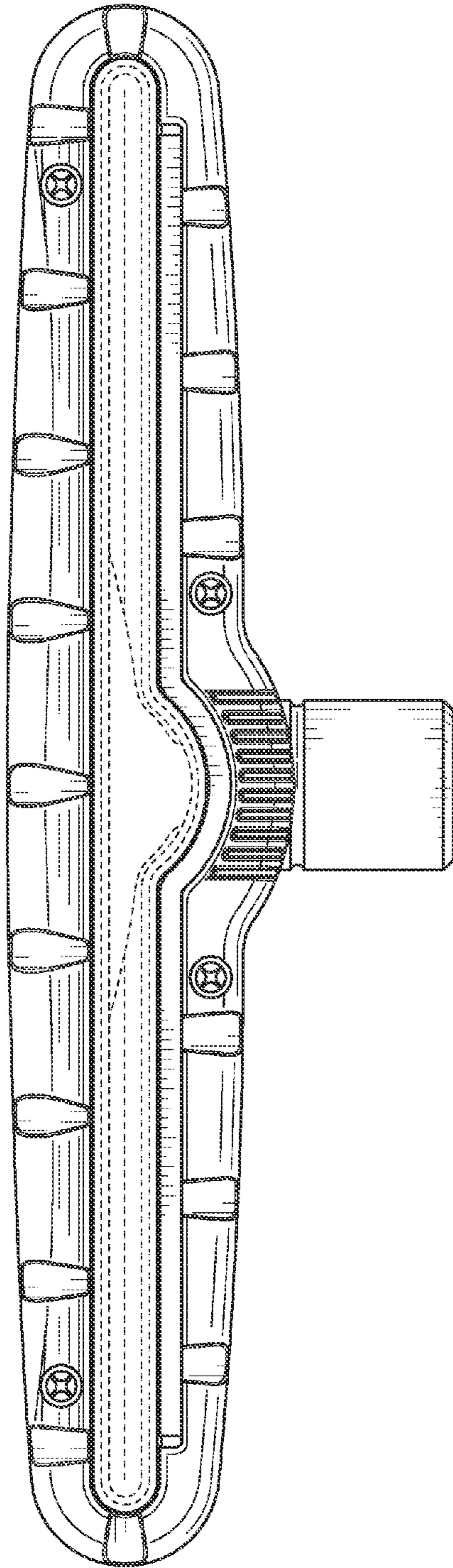


FIG. 3

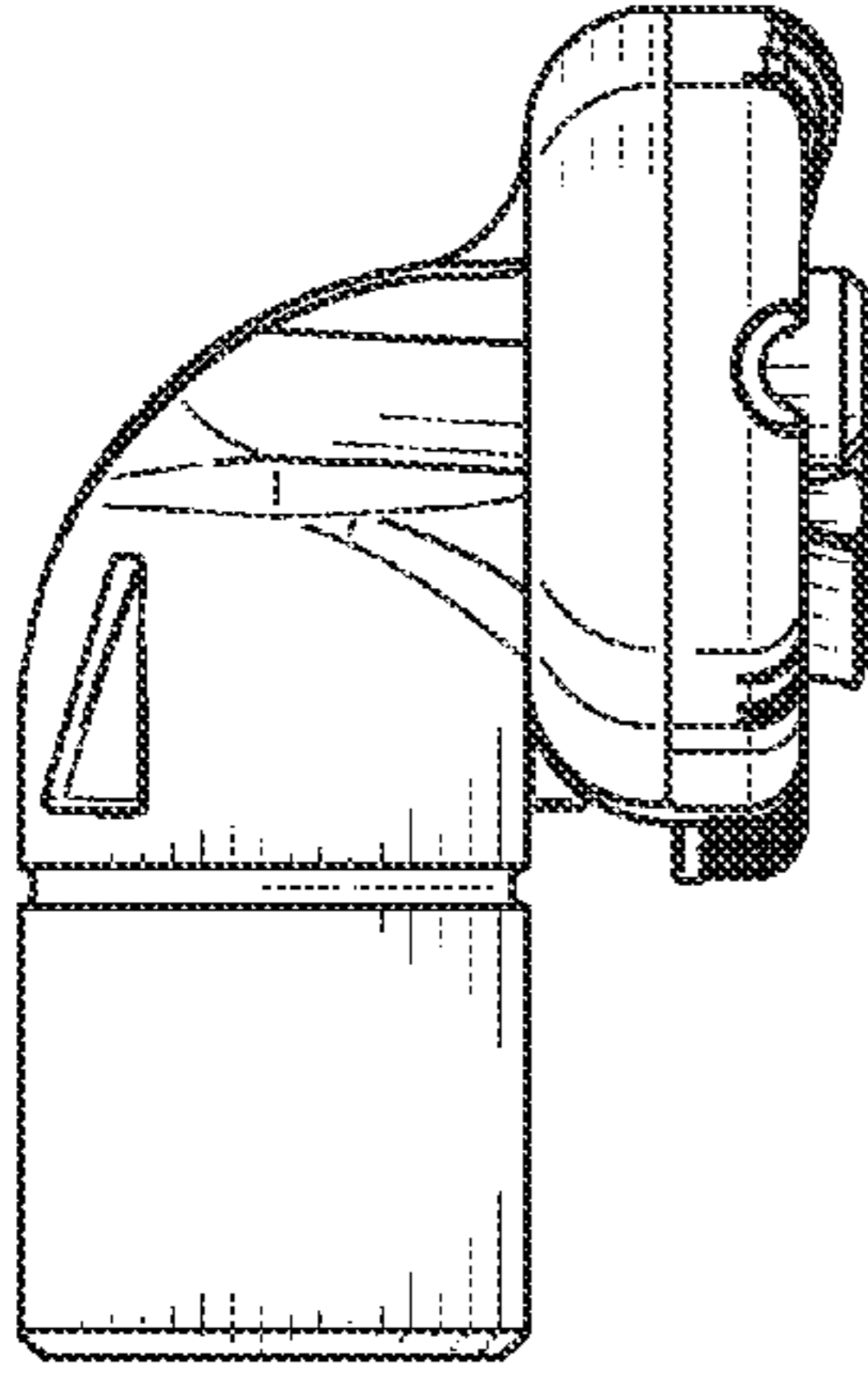


FIG. 4

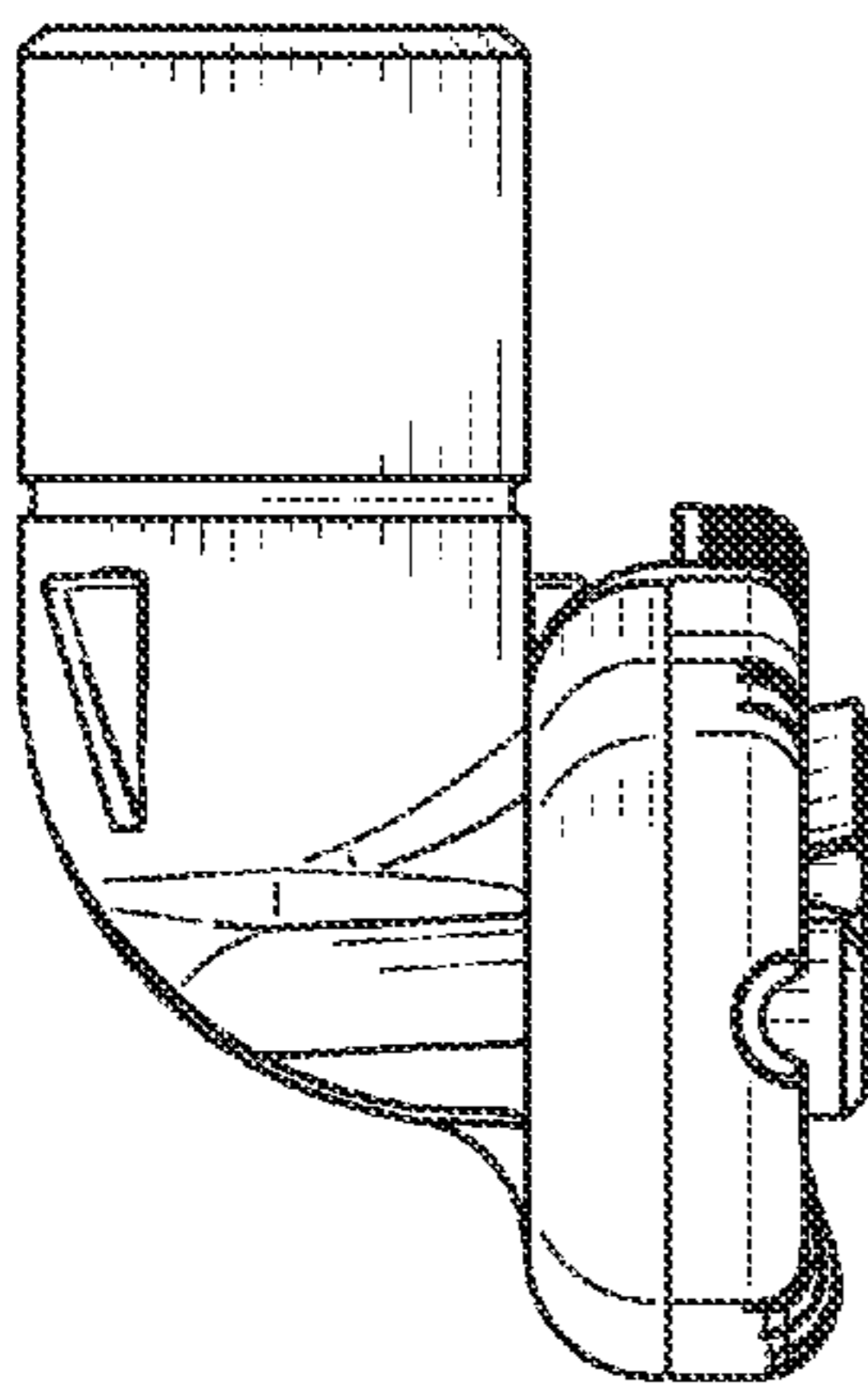


FIG. 5

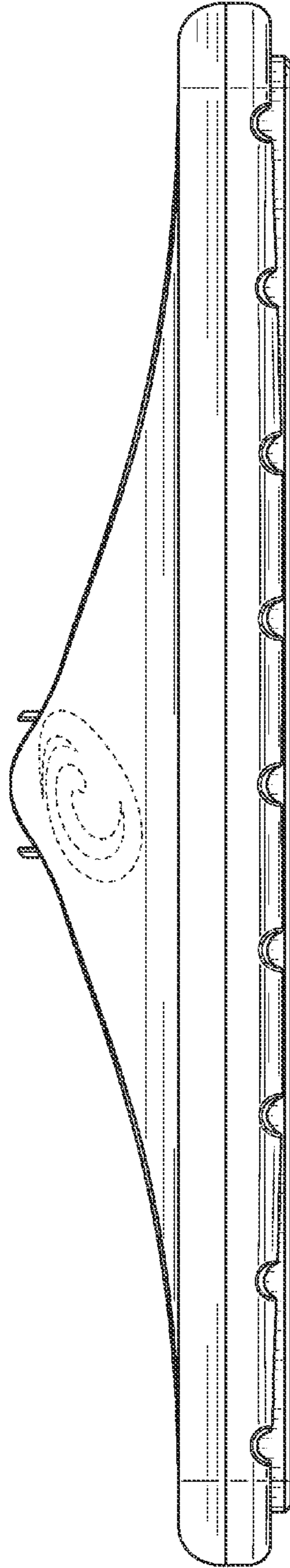


FIG. 6

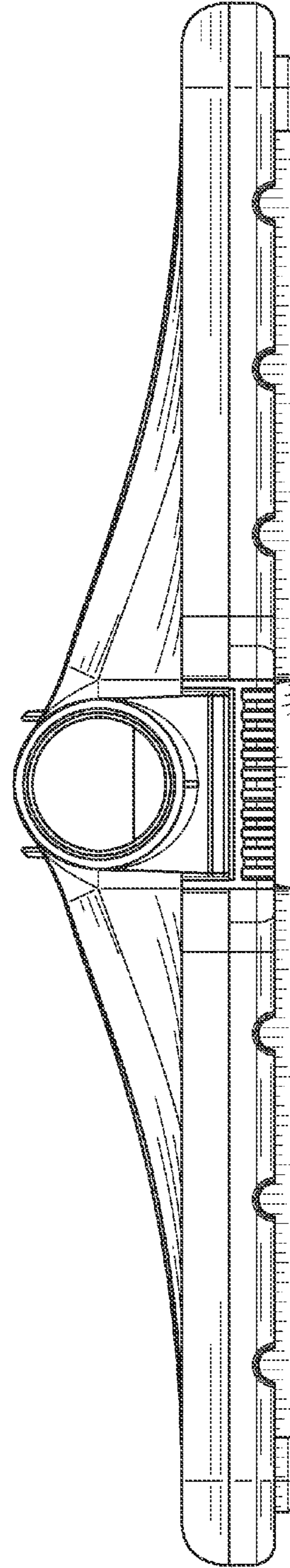


FIG. 7