



US00D643168S

(12) **United States Design Patent**
Dyson et al.

(10) **Patent No.:** **US D643,168 S**
(45) **Date of Patent:** **** Aug. 9, 2011**

(54) **PART OF A VACUUM CLEANER**

(56) **References Cited**

(75) Inventors: **James Dyson**, Wiltshire (GB); **Peter David Gammack**, Wiltshire (GB); **Stephen Robert Dimbylow**, Wiltshire (GB); **Simon David Lockrey**, Melbourne (AU); **Henry Licming Lambourn**, Wiltshire (GB); **Ross Pascoe**, Wiltshire (GB)

(73) Assignee: **Dyson Limited**, Malmesbury (GB)

(**) Term: **14 Years**

(21) Appl. No.: **29/353,573**

(22) Filed: **Jan. 11, 2010**

(30) **Foreign Application Priority Data**

Jul. 17, 2009 (GB) 4011900

(51) **LOC (9) Cl.** **15-05**

(52) **U.S. Cl.** **D32/32**

(58) **Field of Classification Search** D32/50,
D32/17, 31-33, 22, 51, 38-40, 45, 25, 49;
15/182, 179, 168, 228, 319, 403, 209.1, 52,
15/1, 246.3, 320-322, 415.1-422.1, 414,
15/412, 354, 362, 366, 374, 400, 327.1, 329,
15/41.1, 42, 48, 171, 176.1, 159.1, 339, 208,
15/372, 385, 115, 106; 401/138-139; 68/222;
134/198, 105

See application file for complete search history.

U.S. PATENT DOCUMENTS

5,564,161	A *	10/1996	Glatz	15/415.1
D427,737	S *	7/2000	Dyson et al.	D32/32
D449,724	S *	10/2001	Nighy et al.	D32/32
D460,231	S *	7/2002	Bagwell et al.	D32/32
D511,231	S *	11/2005	Langham et al.	D32/33
D518,932	S *	4/2006	Maruyama et al.	D32/32
D518,933	S *	4/2006	Courtney	D32/32
D564,720	S *	3/2008	Dyson et al.	D32/32
D565,265	S *	3/2008	Quance et al.	D32/32
D599,515	S *	9/2009	Davies et al.	D32/32
D616,164	S *	5/2010	McLeod et al.	D32/32
2001/0010889	A1 *	8/2001	Horii et al.	430/201
2007/0067949	A1 *	3/2007	Lee et al.	15/421
2009/0064446	A1 *	3/2009	Oh et al.	15/319

* cited by examiner

Primary Examiner — Ruth McInroy

(74) *Attorney, Agent, or Firm* — Morrison & Foerster LLP

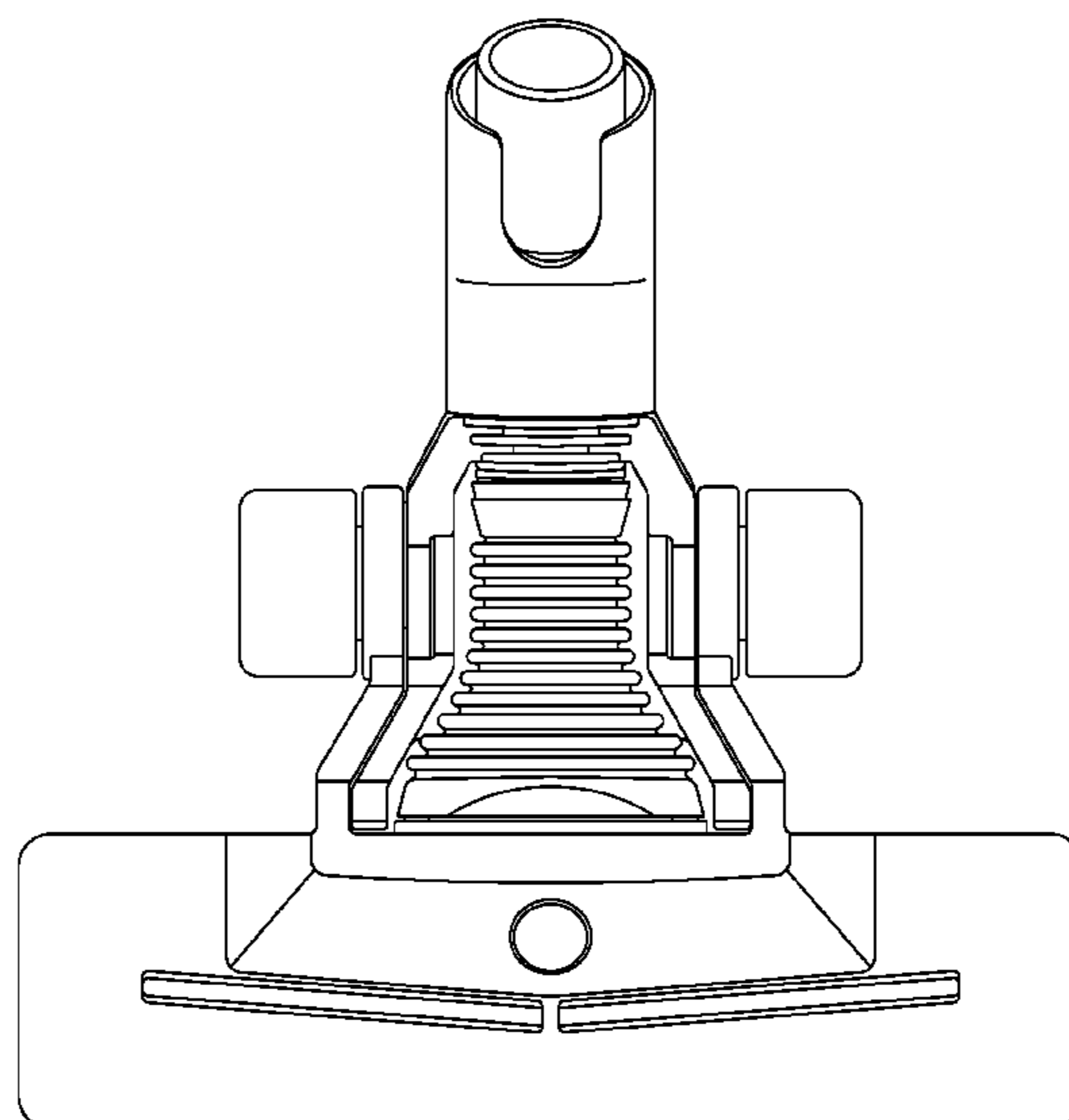
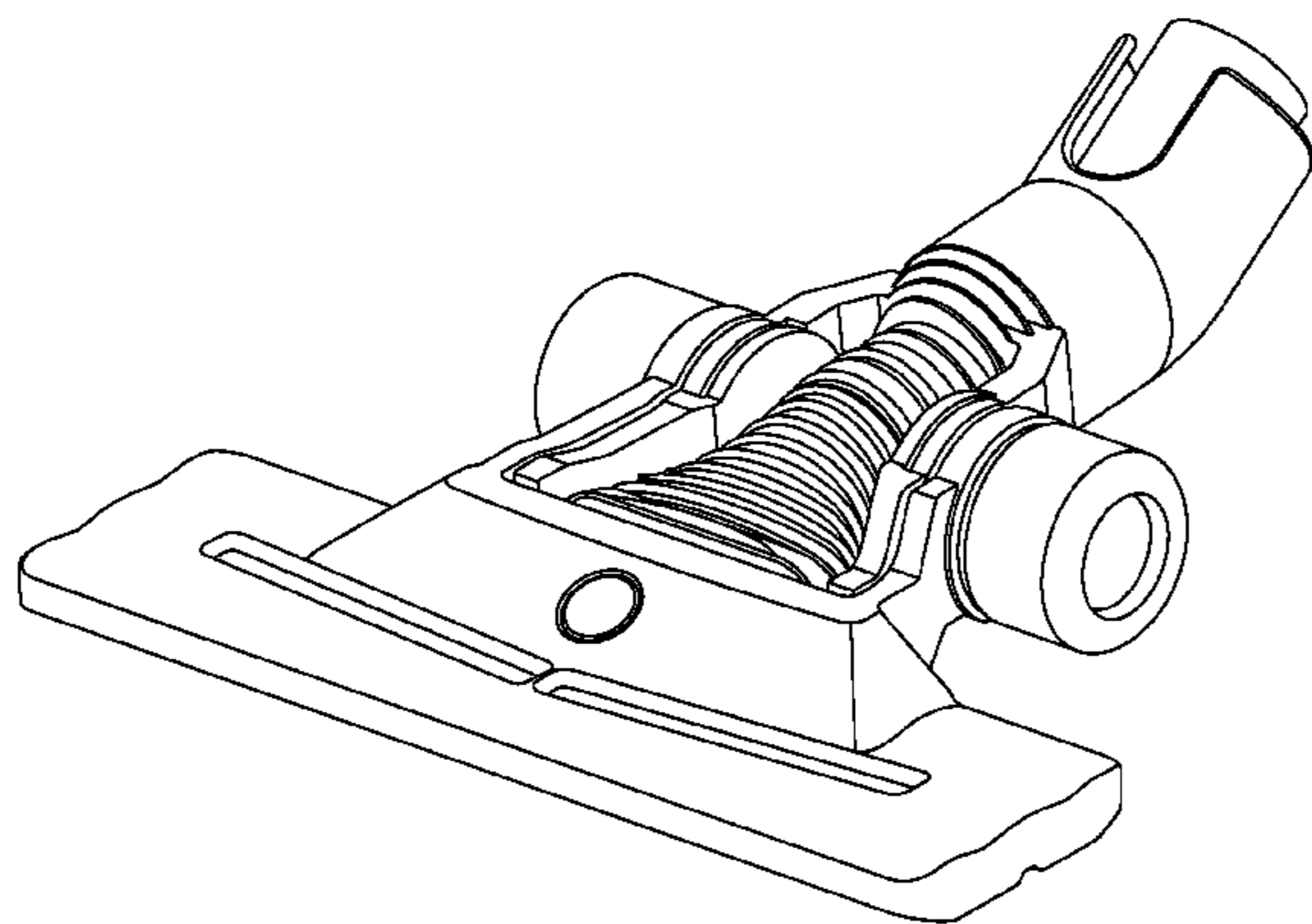
(57) **CLAIM**

We claim the ornamental design for a part of a vacuum cleaner, as shown and described.

DESCRIPTION

FIG. 1 is a perspective view of a part of a vacuum cleaner showing our new design;
FIG. 2 is a plan view thereof from above;
FIG. 3 is a side view thereof;
FIG. 4 is a view of the opposite side of FIG. 3;
FIG. 5 is a front view thereof; and,
FIG. 6 is a rear view thereof.

1 Claim, 6 Drawing Sheets



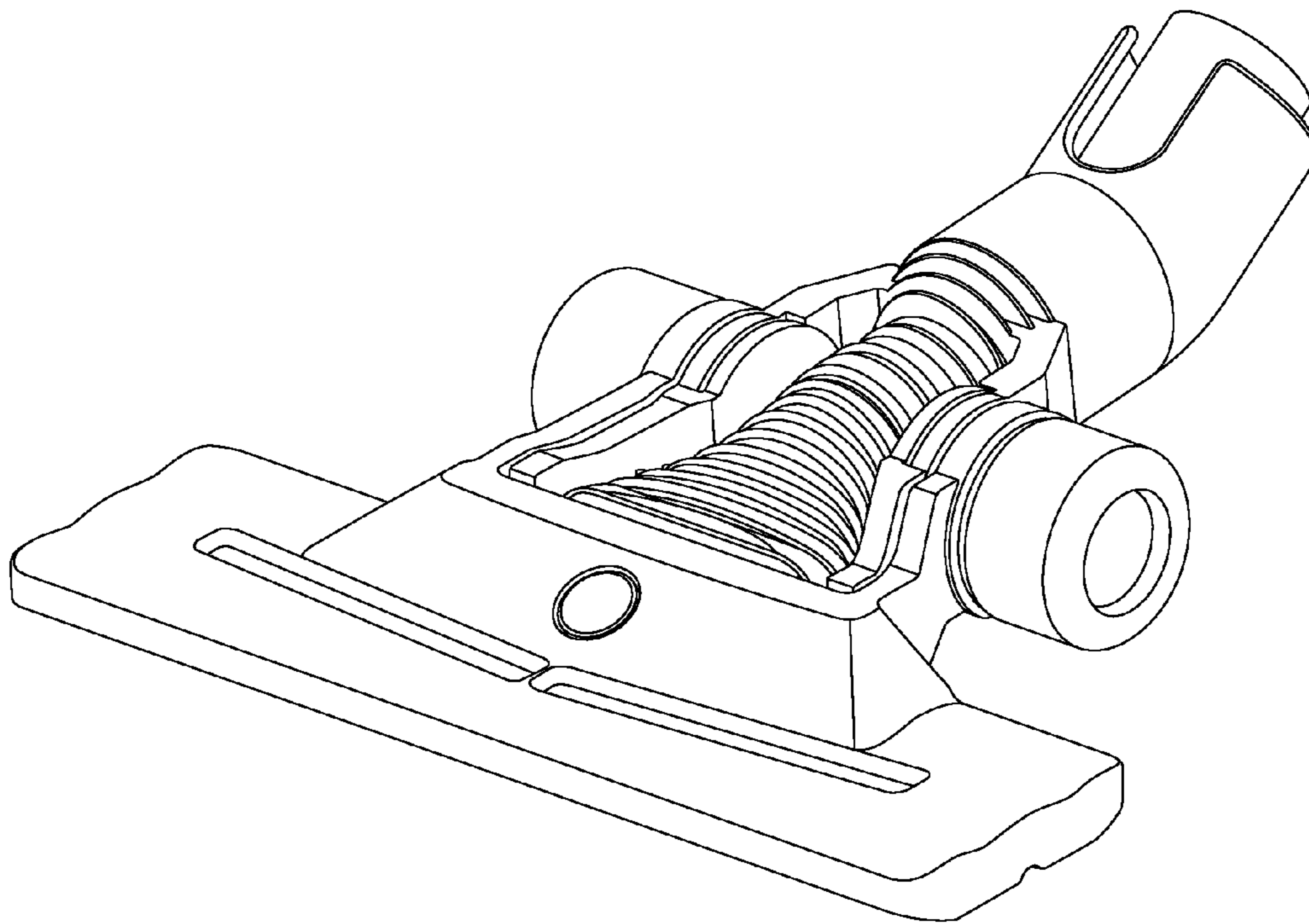


FIG. 1

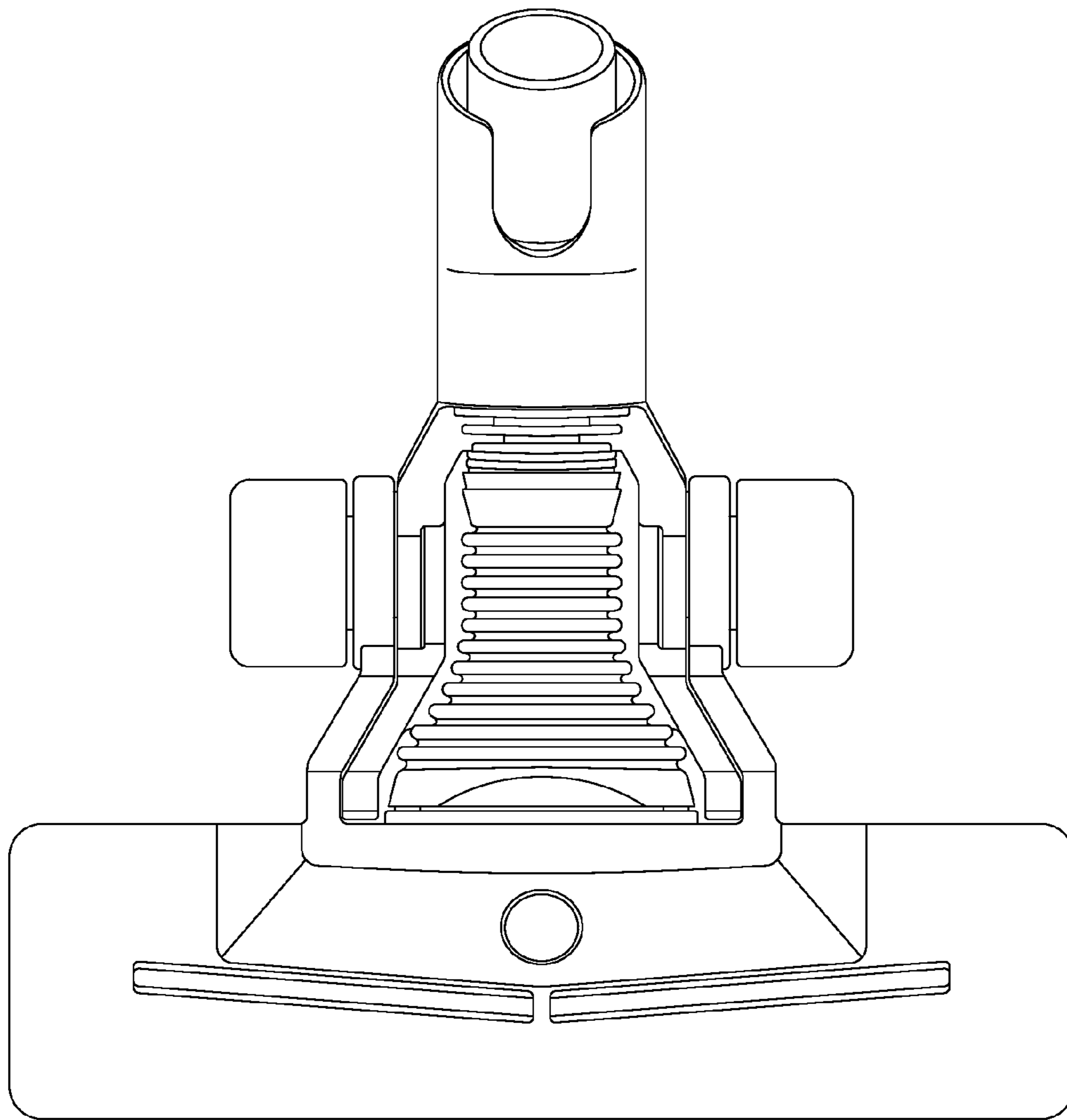


FIG. 2

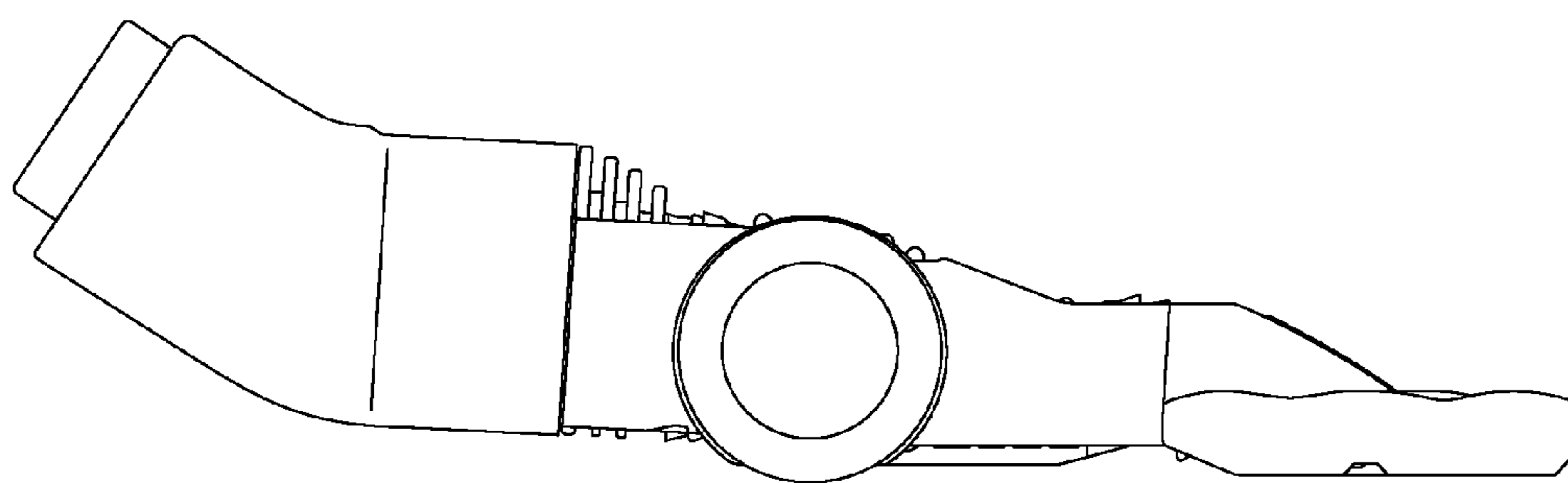


FIG. 3

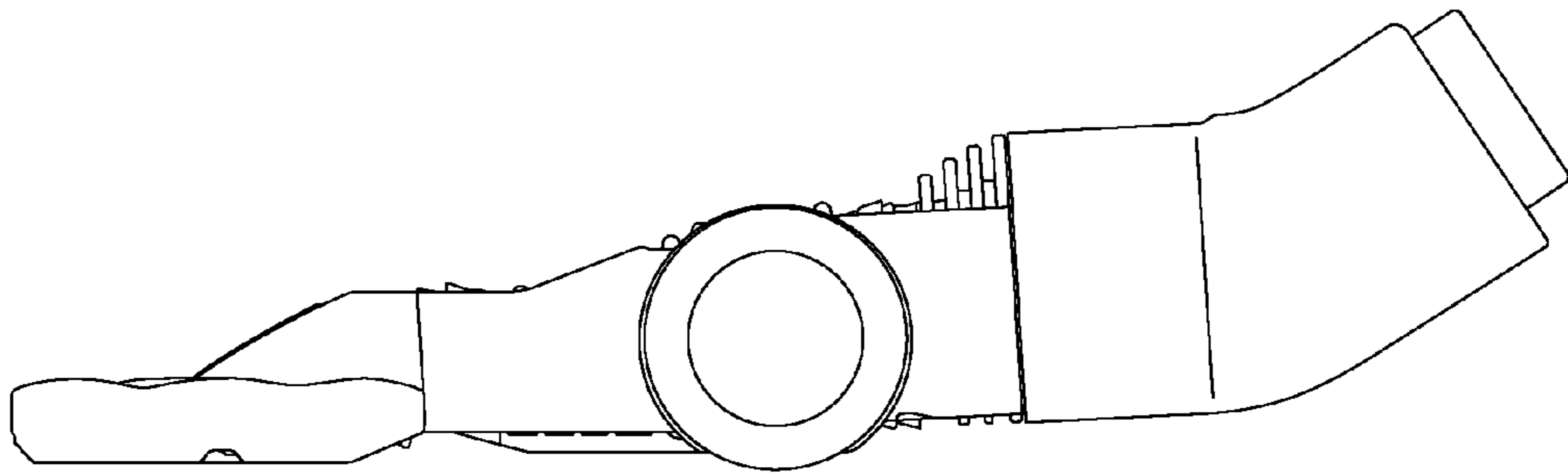


FIG. 4

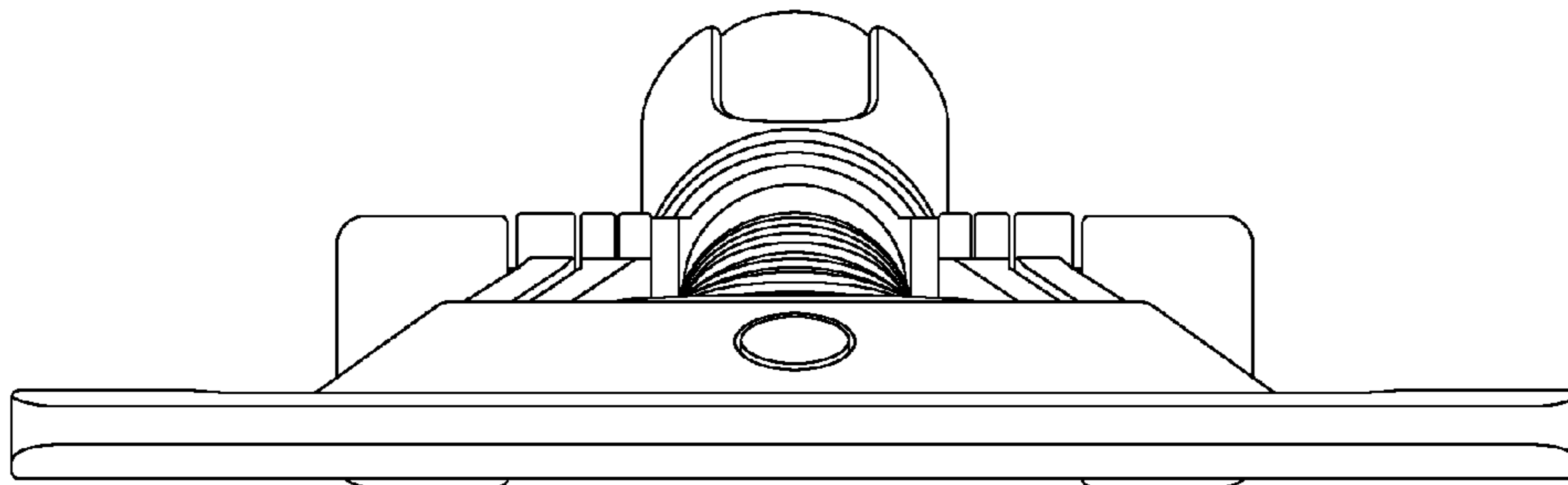


FIG. 5

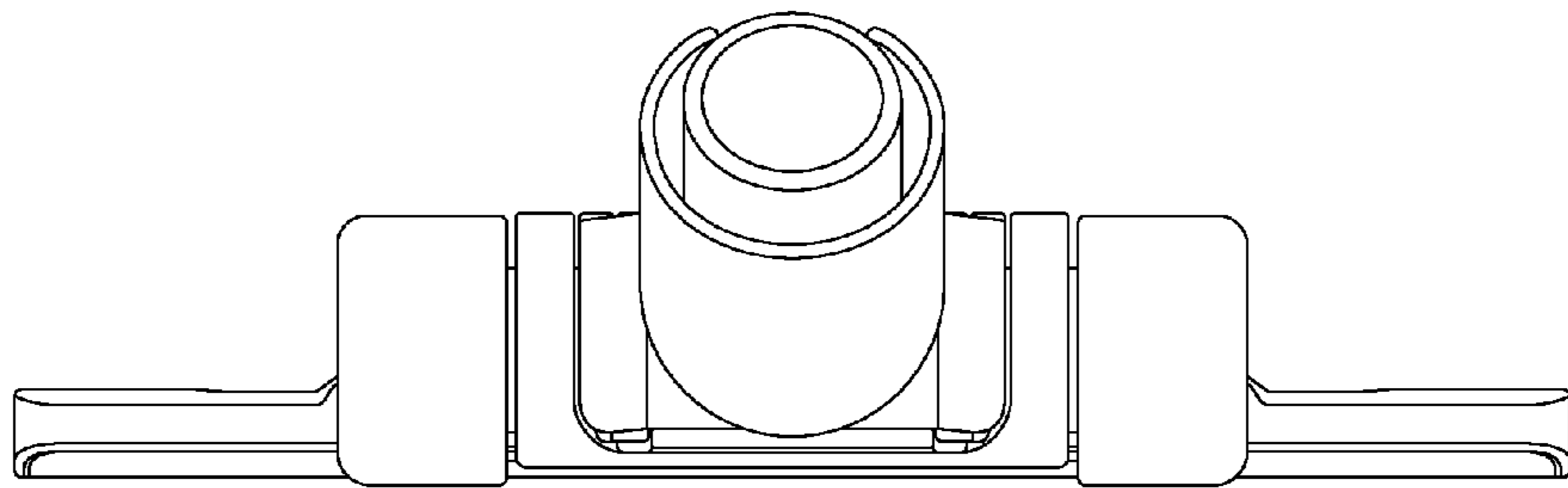


FIG. 6