



US00D643162S

(12) **United States Design Patent**  
**Gardner**

(10) **Patent No.:** **US D643,162 S**

(45) **Date of Patent:** **\*\* Aug. 9, 2011**

(54) **RIDER SIMULATION APPARATUS**

(76) Inventor: **Larry Gardner**, New Waverly, TX (US)

(\*\*) Term: **14 Years**

(21) Appl. No.: **29/381,635**

(22) Filed: **Dec. 21, 2010**

(51) **LOC (9) Cl.** ..... **30-99**

(52) **U.S. Cl.** ..... **D30/199; D30/135; D30/134**

(58) **Field of Classification Search** ..... D30/134,  
D30/135, 199; 54/44.1-44.7, 46.1, 1, 46.2,  
54/71, 23, 66, 37.1, 79.1, 79.2, 69; D6/354,  
D6/502; D21/828, 832; 119/720, 712, 856,  
119/859; 340/573.3; 224/905; 434/247;  
318/16

See application file for complete search history.

(56) **References Cited**

**U.S. PATENT DOCUMENTS**

2,153,326	A *	4/1939	Crouter	54/46.1
3,672,075	A *	6/1972	Eikelenboom	434/247
4,190,968	A *	3/1980	Clapp et al.	434/247
4,651,678	A *	3/1987	Kime	54/71
4,765,276	A *	8/1988	Kime	54/71
4,905,458	A *	3/1990	Johnston et al.	54/23
4,957,444	A *	9/1990	Armen	434/247
5,097,706	A *	3/1992	Le Nouvel et al.	73/493
5,429,515	A *	7/1995	Greenwood	434/247
6,352,053	B1	3/2002	Records et al.	
6,568,940	B2 *	5/2003	Mack	434/247
6,634,160	B1	10/2003	Brauckmann-Towns	
7,089,720	B2 *	8/2006	Kurt	54/71

7,121,068	B2 *	10/2006	Van Scoyk	54/46.1
7,721,514	B1 *	5/2010	Pierce et al.	54/71
2004/0244341	A1 *	12/2004	Kurt	54/71
2010/0083911	A1	4/2010	Gardner	
2011/0061349	A1 *	3/2011	Lloyd	54/71

\* cited by examiner

*Primary Examiner* — Susan Moon Lee

(74) *Attorney, Agent, or Firm* — The Compton Law Firm, P.C.; Scott D. Compton

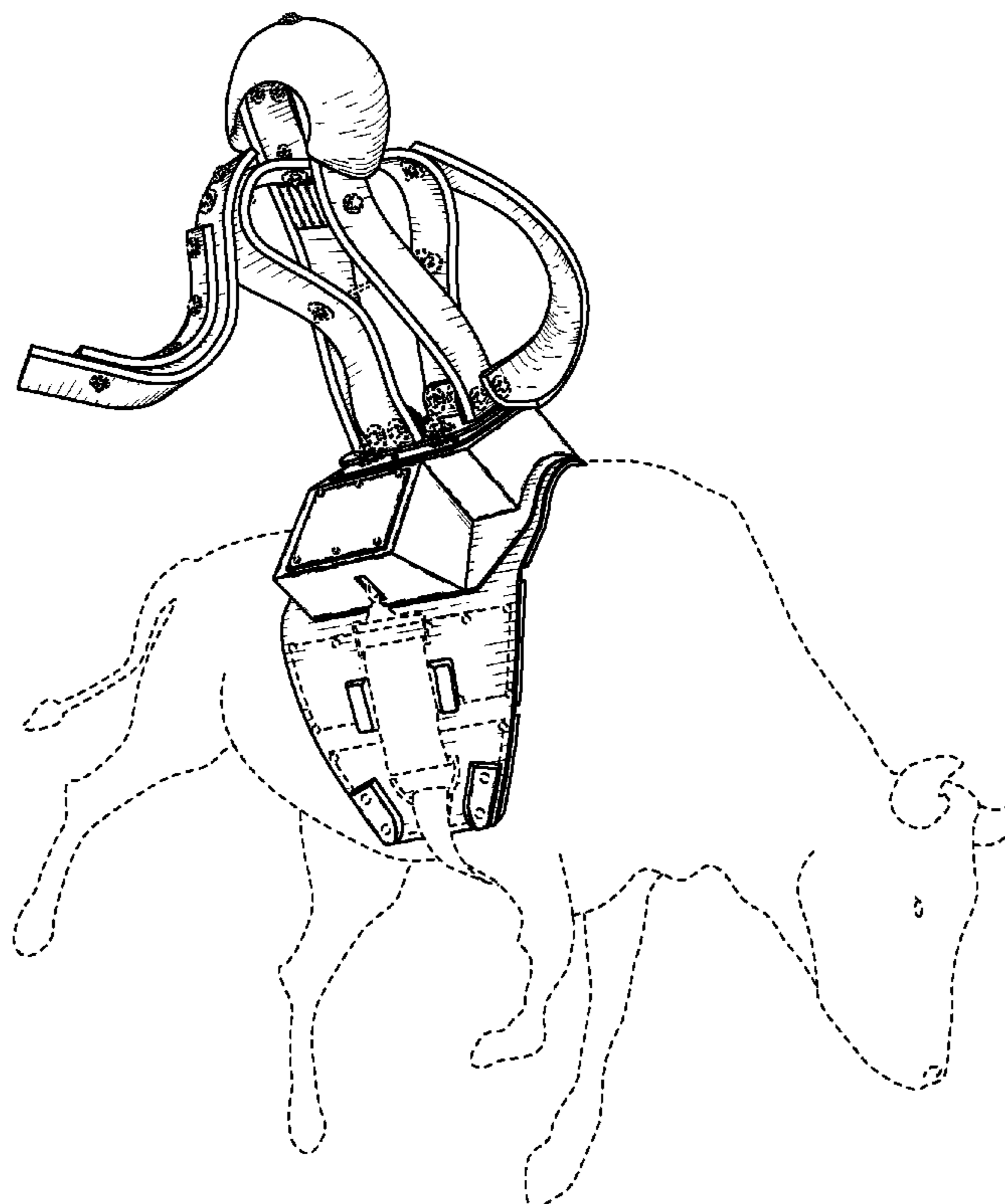
(57) **CLAIM**

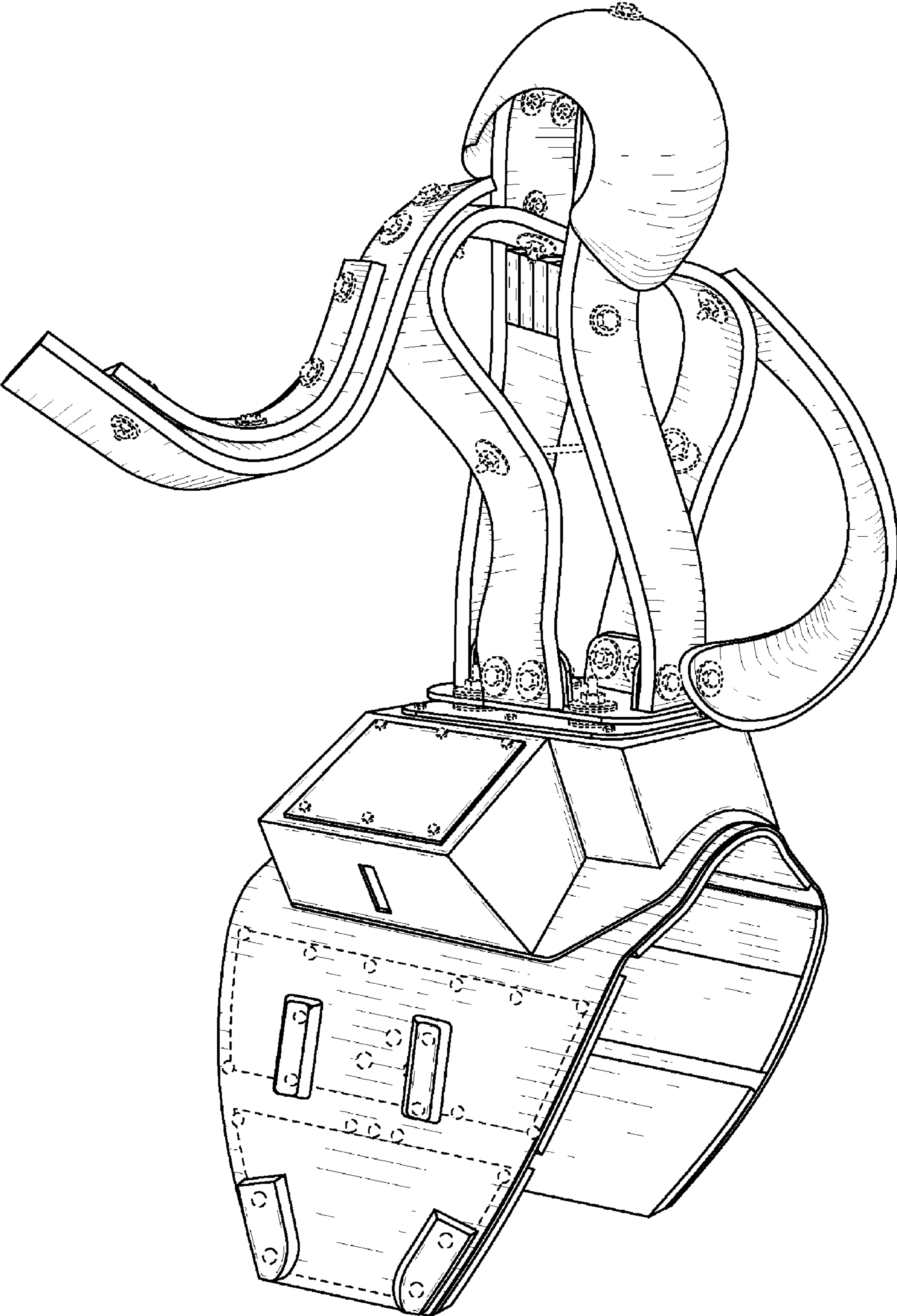
The ornamental design for a rider simulation apparatus, as shown and described.

**DESCRIPTION**

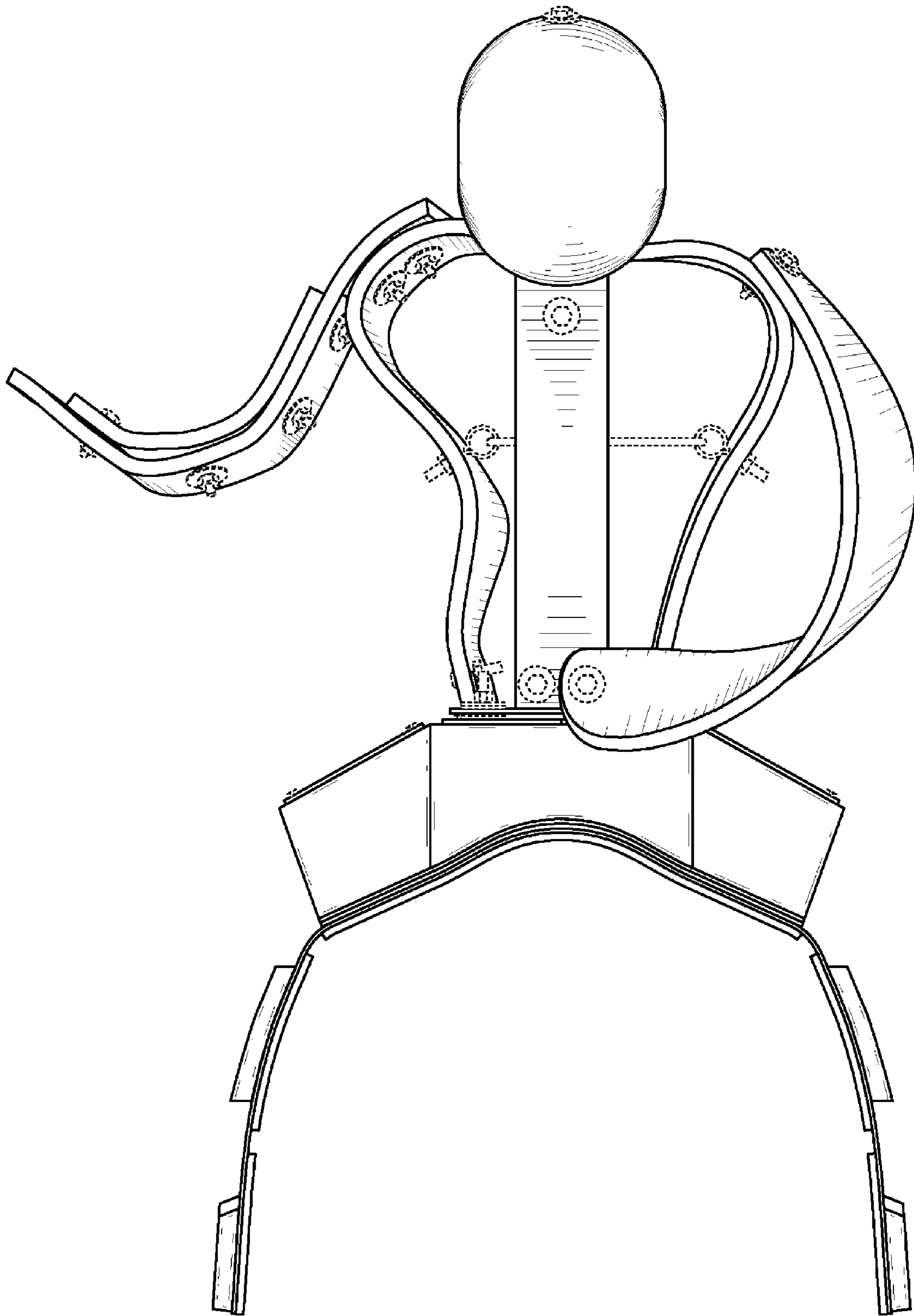
FIG. 1 is a perspective view of a rider simulation apparatus showing my new design;  
 FIG. 2 is a front elevational view of the rider simulation apparatus;  
 FIG. 3 is a rear view of the rider simulation apparatus;  
 FIG. 4 is a right side elevational view of the rider simulation apparatus;  
 FIG. 5 is a left side elevational view of the rider simulation apparatus;  
 FIG. 6 is a top view of the rider simulation apparatus;  
 FIG. 7 is a bottom view of the rider simulation apparatus; and,  
 FIG. 8 is a perspective view of the rider simulation apparatus.  
 Elements in broken line are not claimed.

**1 Claim, 6 Drawing Sheets**

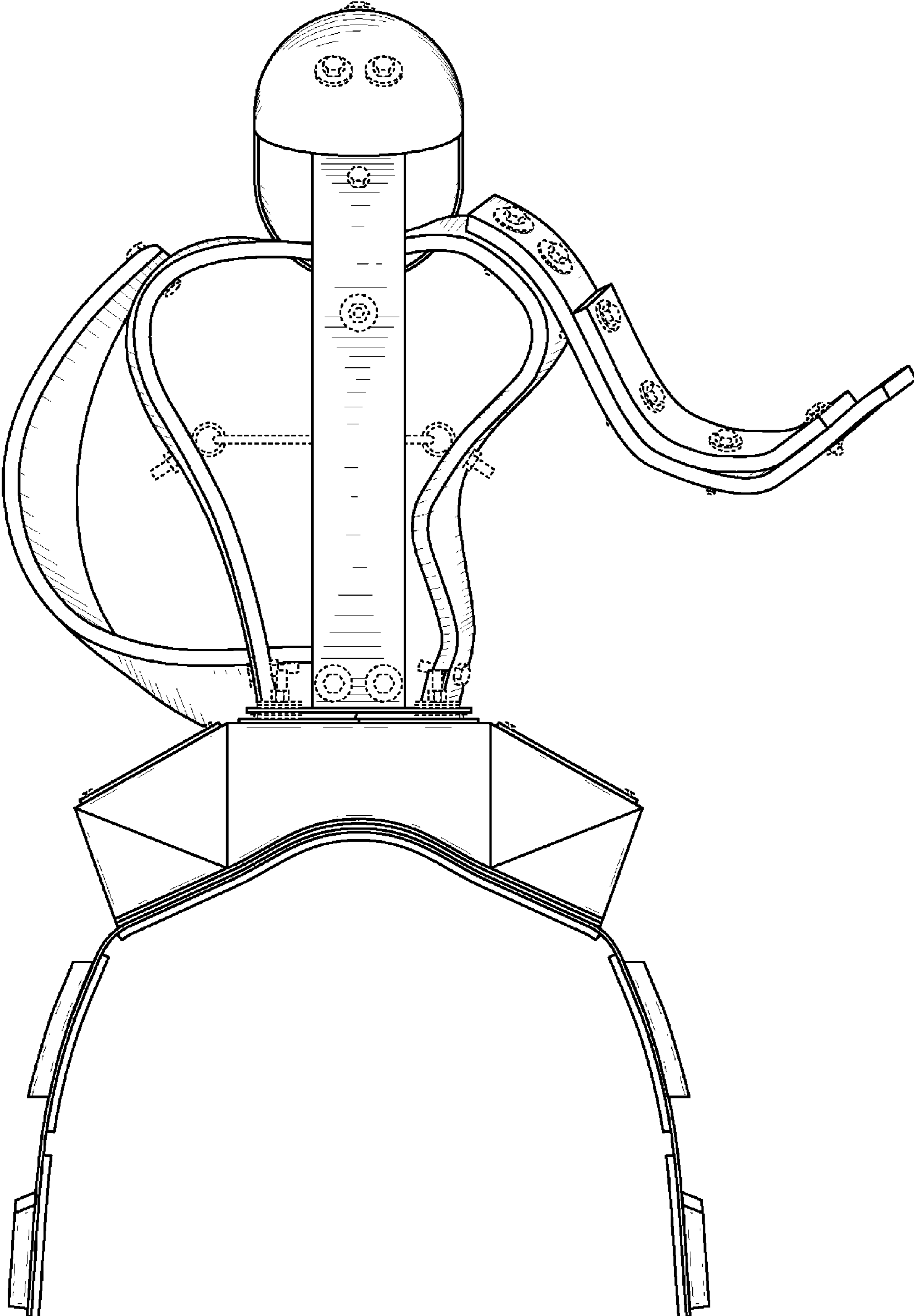




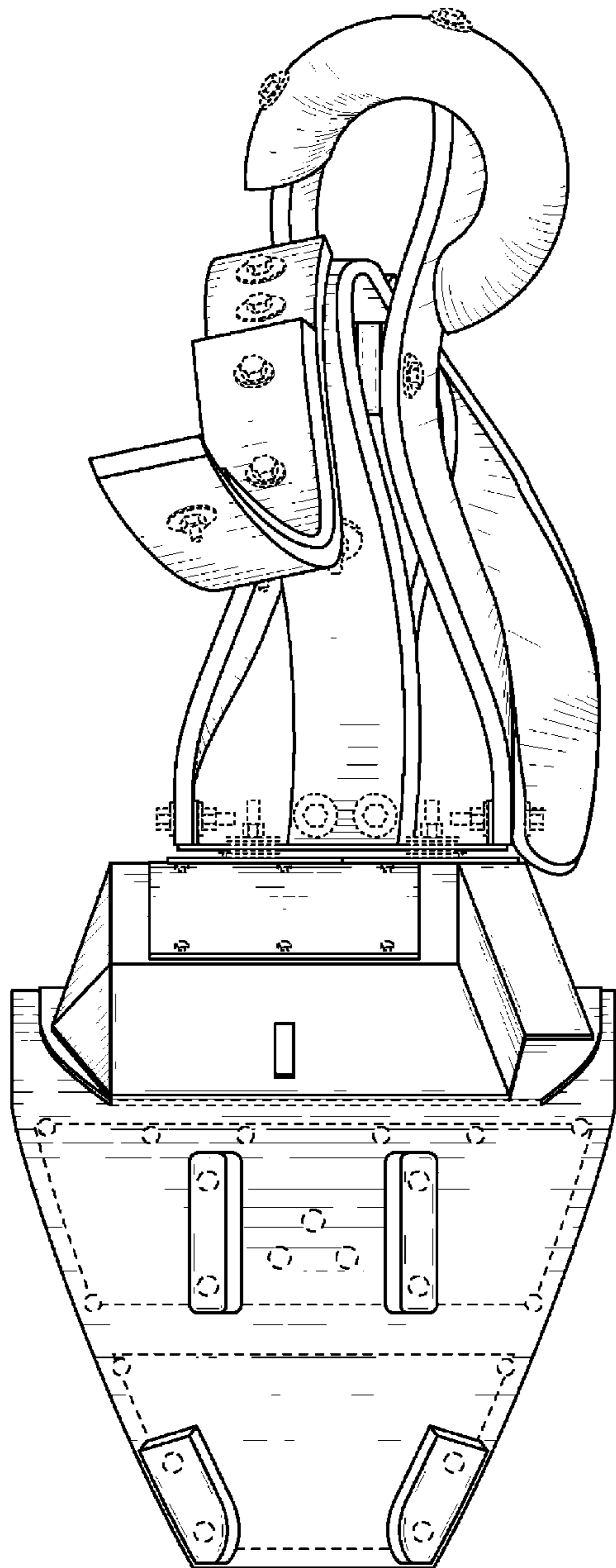
**FIG. 1**



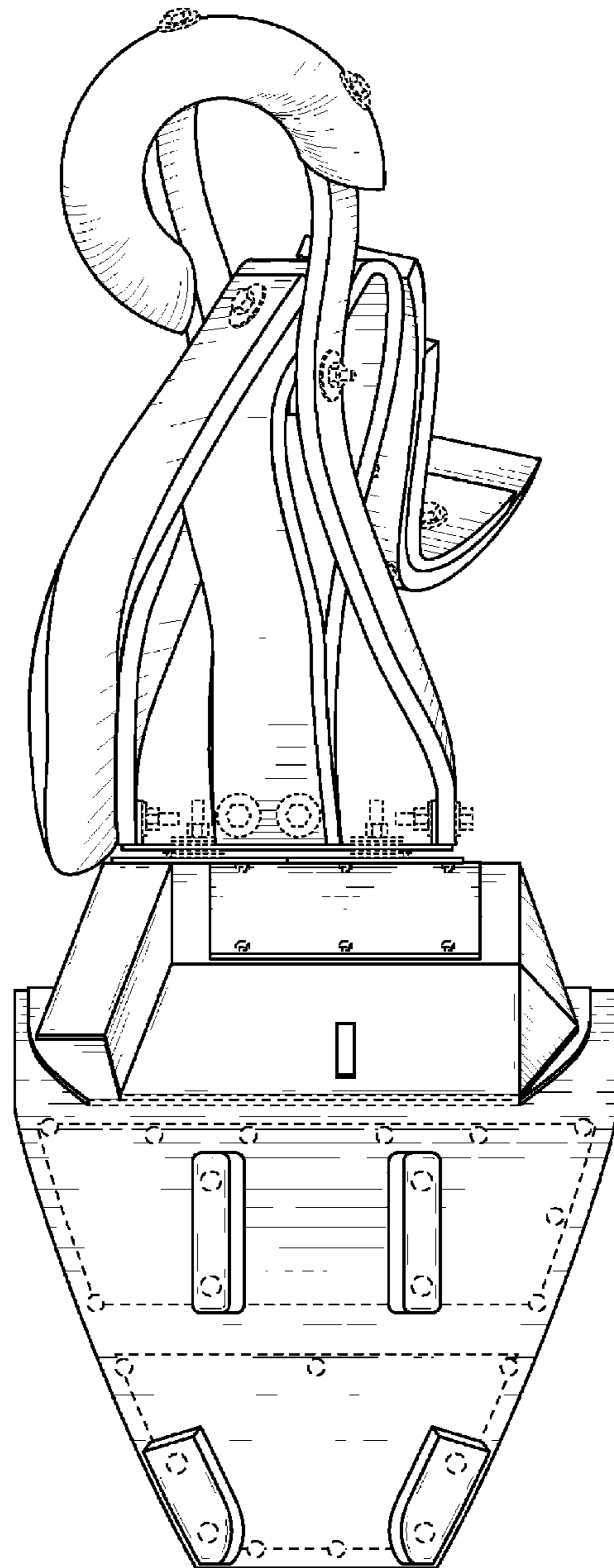
**FIG. 2**



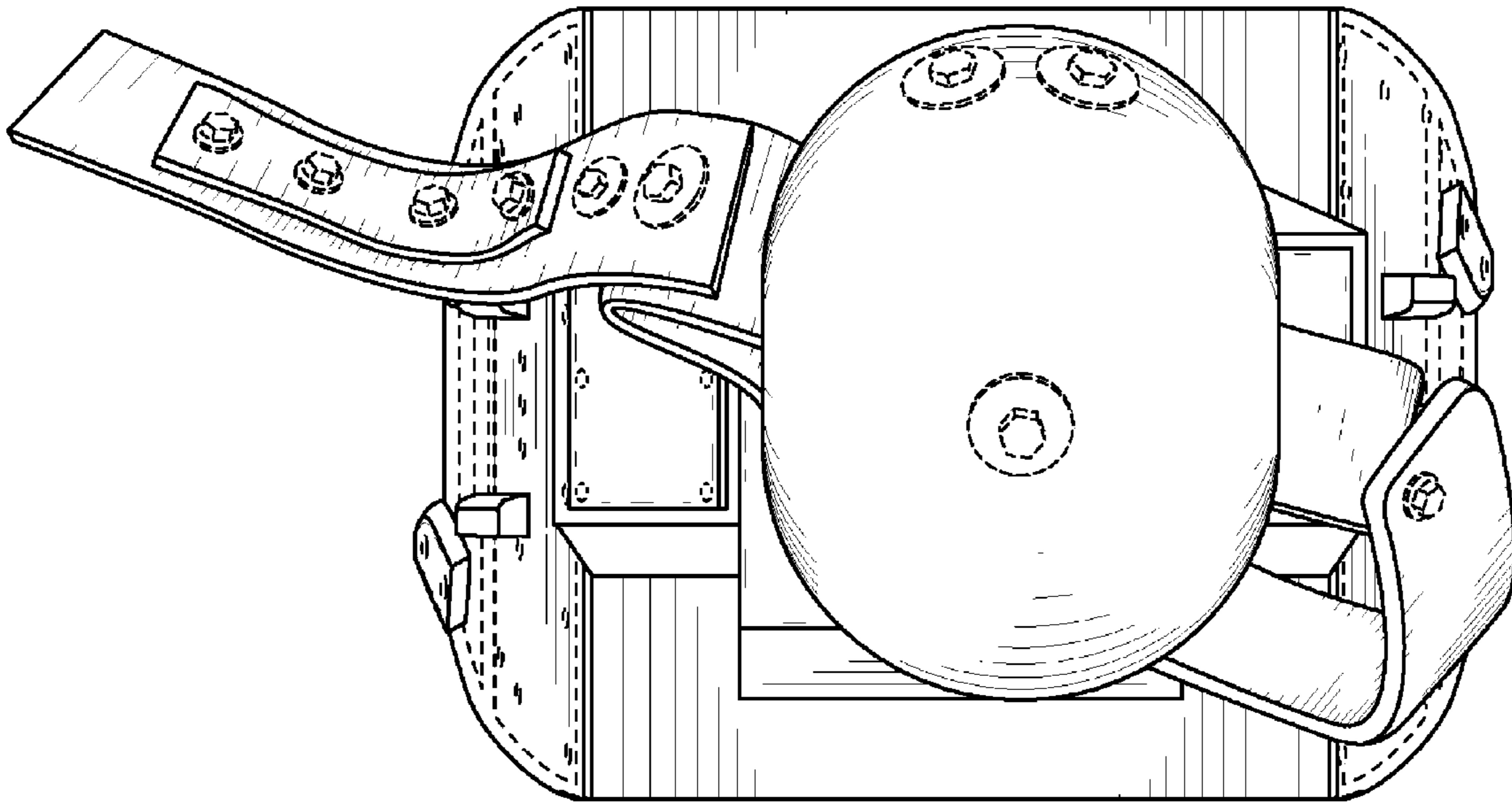
**FIG. 3**



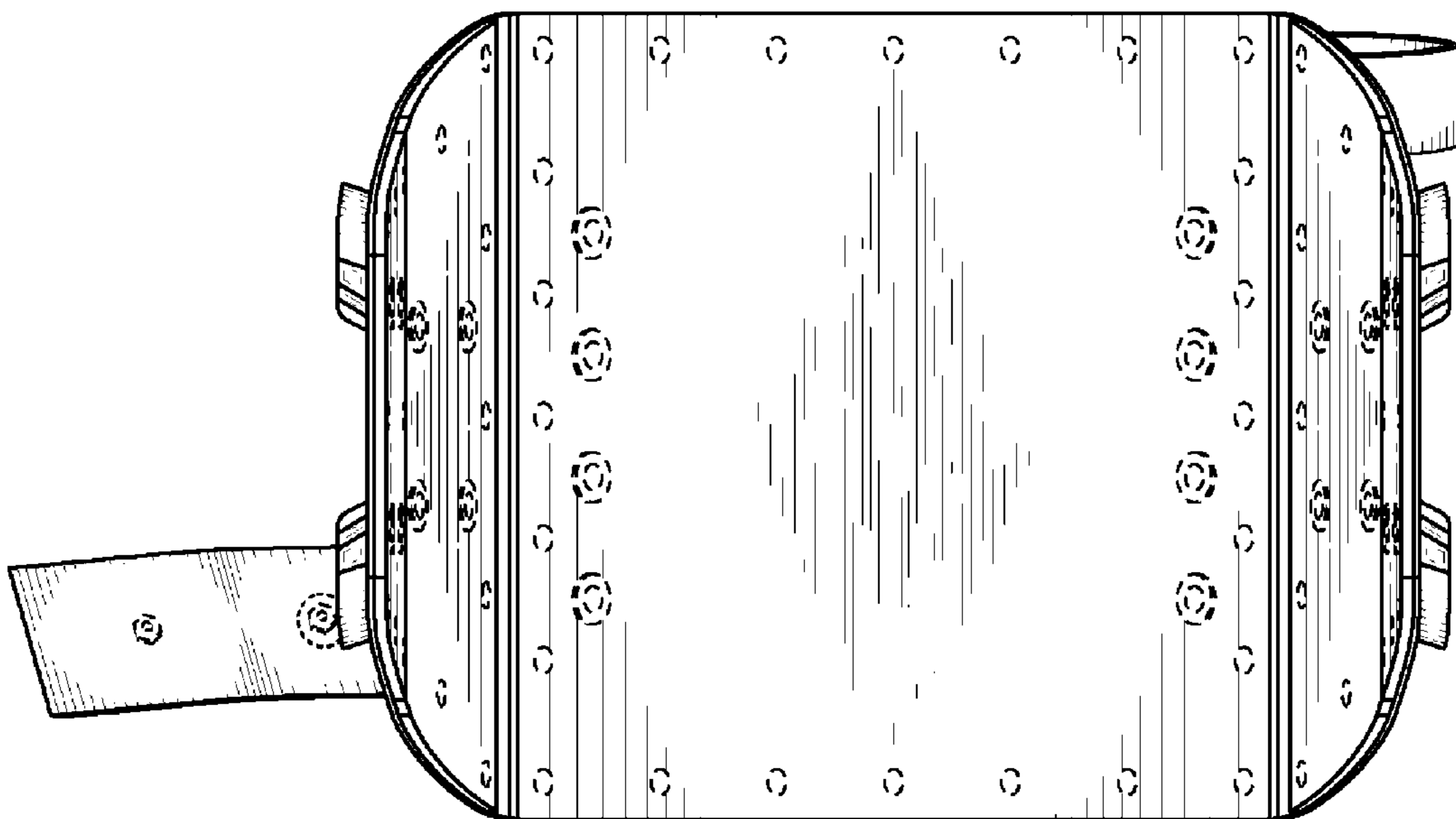
**FIG. 4**



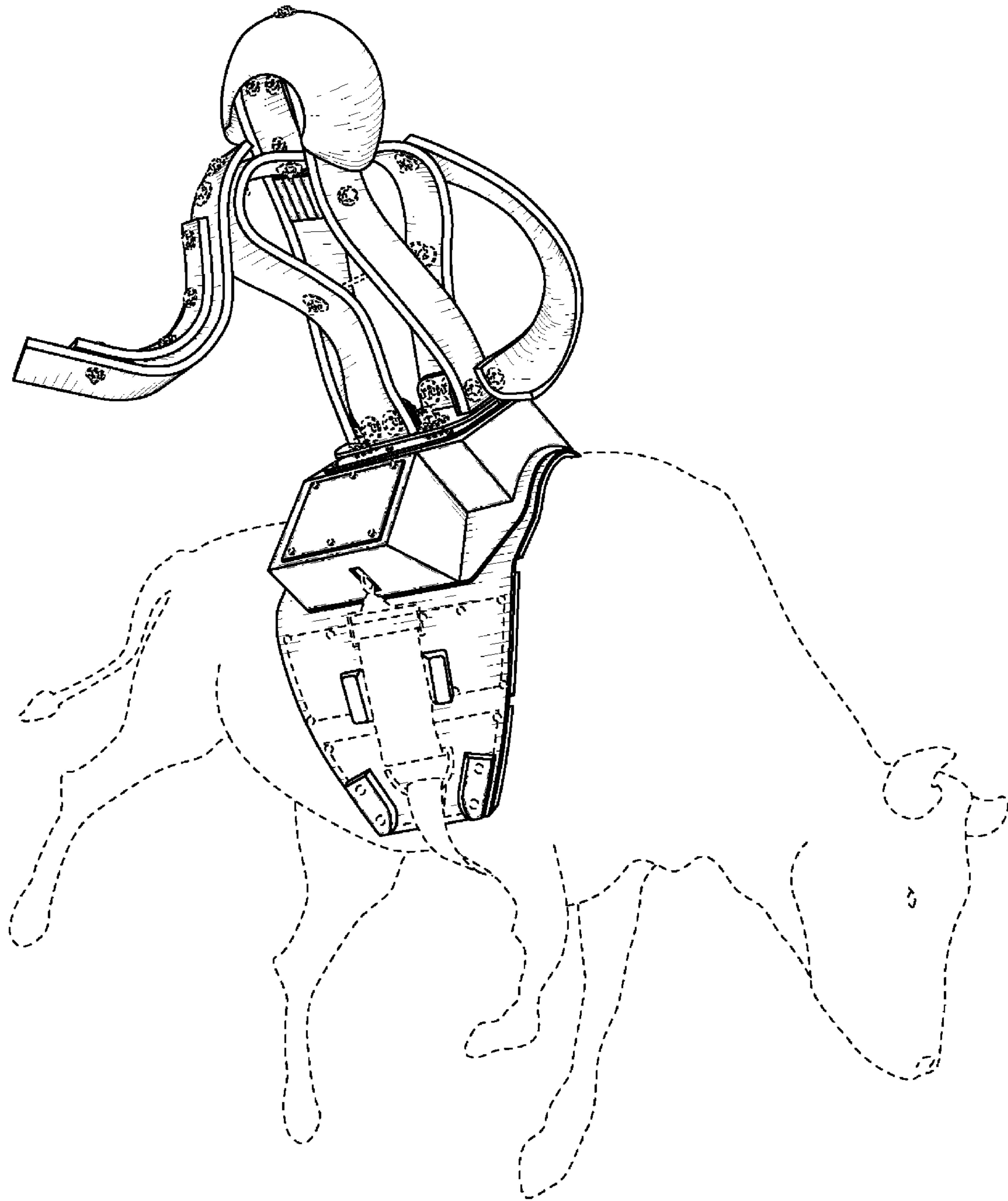
**FIG. 5**



**FIG. 6**



**FIG. 7**



**FIG. 8**