



US00D643161S

(12) **United States Design Patent**  
**Leedom et al.**

(10) **Patent No.:** **US D643,161 S**  
(45) **Date of Patent:** **\*\* Aug. 9, 2011**

(54) **RETRACTABLE PET LEASH HOUSING**

5,887,550 A 3/1999 Levine et al.  
(Continued)

(75) Inventors: **Caroline Leedom**, Newport Beach, CA (US); **Steven L. Bender**, Newport Beach, CA (US)

(73) Assignee: **Ruff Ruff & Meow LLC**, Costa Mesa, CA (US)

(\*\*) Term: **14 Years**

(21) Appl. No.: **29/380,558**

(22) Filed: **Dec. 7, 2010**

(51) **LOC (9) Cl.** ..... **30-04**

(52) **U.S. Cl.** ..... **D30/153**

(58) **Field of Classification Search** ..... D30/151-154;  
119/792-798, 758, 760, 769, 770, 712, 784,  
119/802, 856, 857, 863, 865, 858; 54/71;  
30/39; 242/397, 615.3, 382, 384.7, 396.1,  
242/385, 385.2, 385.4, 381.5, 381.6; D26/38;  
254/134.3 FT; D8/358, 359; 473/576

See application file for complete search history.

(56) **References Cited**

**U.S. PATENT DOCUMENTS**

2,314,504	A *	3/1943	Lifchultz	242/379.2
3,693,596	A	9/1972	Croce et al.	
3,853,283	A *	12/1974	Croce et al.	242/381.6
D235,026	S *	4/1975	Bogdahn	D30/153
3,937,418	A	2/1976	Critelli	
4,269,150	A	5/1981	McCarthy	
4,856,726	A *	8/1989	Kang	242/384.7
5,377,626	A *	1/1995	Kilsby et al.	119/796
5,401,034	A *	3/1995	Mallinger	473/576
5,423,494	A *	6/1995	Kondo	242/381.5
5,483,926	A *	1/1996	Bogdahn	119/796
5,558,044	A	9/1996	Nasser, Jr. et al.	
D376,215	S *	12/1996	Gomm et al.	D26/38
5,595,143	A *	1/1997	Alberti	119/794
D392,429	S *	3/1998	Plewa et al.	D30/153
5,762,029	A	6/1998	DuBois et al.	

**OTHER PUBLICATIONS**

Web pages of retractable leashes from Amazon.com, 14 pp., downloaded from www.amazon.com on Dec. 7, 2010.

(Continued)

*Primary Examiner* — Susan Moon Lee

(74) *Attorney, Agent, or Firm* — Klarquist Sparkman, LLP

(57) **CLAIM**

The ornamental design for a retractable pet leash housing, as shown and described.

**DESCRIPTION**

FIG. 1 is a front and left perspective view of the new design for a retractable pet leash housing.

FIG. 2 is a rear and right perspective view of the new design of FIG. 1

FIG. 3 is a front and right perspective view of the new design of FIG. 1

FIG. 4 is a rear and left perspective view of the new design of FIG. 1

FIG. 5 is a right side elevational view of the new design of FIG. 1

FIG. 6 is a left side elevational view of the new design of FIG. 1

FIG. 7 is a top plan view of the new design of FIG. 1

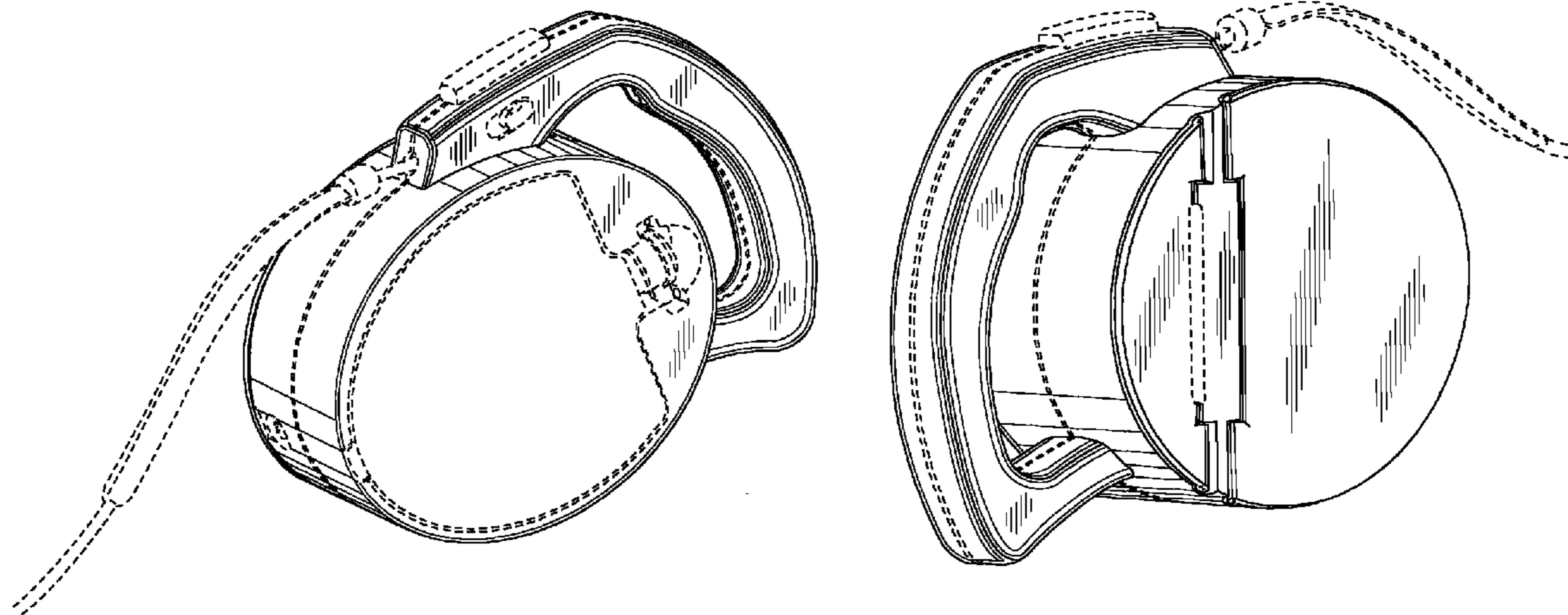
FIG. 8 is a bottom plan view of the new design of FIG. 1

FIG. 9 is a rear elevational view of the new design of FIG. 1; and,

FIG. 10 is a front elevational view of the new design of FIG. 1.

In the figures, the thinner solid lines appearing within the boundaries of the retractable pet leash housing are shading lines used to indicate the shape and location of the surfaces. The broken lines in the figures are shown for purposes of illustrating environmental structure and form no part of the claimed design.

**1 Claim, 4 Drawing Sheets**



# US D643,161 S

Page 2

## U.S. PATENT DOCUMENTS

5,890,456	A *	4/1999	Tancrede	119/794
6,003,472	A	12/1999	Matt et al.	
6,024,054	A	2/2000	Matt et al.	
6,035,809	A *	3/2000	Fingerett et al.	119/796
6,076,717	A	6/2000	Edwards et al.	
6,148,773	A *	11/2000	Bogdahn	119/796
6,223,695	B1 *	5/2001	Edwards et al.	119/796
6,240,881	B1	6/2001	Edwards et al.	
6,289,849	B1 *	9/2001	Macedo et al.	119/796
6,314,917	B1	11/2001	Ryan	
6,405,683	B1	6/2002	Walter et al.	
6,474,270	B1 *	11/2002	Imes	119/796
6,526,918	B1 *	3/2003	Arnold	119/796
6,694,922	B2 *	2/2004	Walter et al.	119/772
6,712,026	B1 *	3/2004	Carville, Jr.	119/796
6,904,872	B2 *	6/2005	Muller	119/796
6,925,967	B1	8/2005	Woodrun	
6,955,138	B2 *	10/2005	DeBien	119/776
7,044,080	B2	5/2006	Rabello	
7,131,401	B2 *	11/2006	Huff et al.	119/796
7,168,393	B2 *	1/2007	Bogdahn et al.	119/796
7,194,982	B2	3/2007	Edwards	
D556,446	S *	12/2007	Olson et al.	D3/215
D604,244	S *	11/2009	Kovacik et al.	D13/137.4
7,644,945	B1 *	1/2010	Kourkoumelis	280/293
D610,752	S *	2/2010	Roediger	D30/153
7,784,728	B2 *	8/2010	Shi	242/385.4
7,789,042	B1 *	9/2010	Dinon	119/61.5
7,819,088	B2 *	10/2010	Stern	119/796
2003/0029388	A1 *	2/2003	Walter et al.	119/772
2005/0011472	A1 *	1/2005	Wuensche	119/796
2005/0172914	A1 *	8/2005	Woodruff	119/796
2005/0263103	A1 *	12/2005	Updyke et al.	119/796

2006/0118062	A1 *	6/2006	Edwards	119/796
2006/0162675	A1 *	7/2006	Ghalebi et al.	119/796
2006/0201450	A1 *	9/2006	Jordan et al.	119/796
2006/0219182	A1	10/2006	Rabello	
2006/0231043	A1 *	10/2006	Galdo	119/796
2007/0157892	A1 *	7/2007	Farrell et al.	119/795
2008/0006223	A1	1/2008	Sugalski	
2008/0223308	A1 *	9/2008	Stern	119/720
2009/0020077	A1 *	1/2009	Macrae	119/719

## OTHER PUBLICATIONS

Web pages of retractable leashes from Petco.com, 3 pp., downloaded from www.petco.com on Dec. 7, 2010.

Web pages of retractable leashes from PetSmart.com, 2 pp., downloaded from www.petsmart.com on Dec. 7, 2010.

Web page of Bags on Board Retractable Leash, 1 pp., downloaded from www.bagonboard.com on Dec. 7, 2010.

Web page of Retractable Dog Leash with Light, 1 pp., downloaded from www.unique-idea.com on Dec. 7, 2010.

Web page of 15ft Retractable Flex Dog Leash with Flashlight Torch, 2 pp., downloaded from www.uxcell.com on Dec. 7, 2010.

Web page of Petmate Walkabout Retractable Leash, 3 pp., downloaded from www.petmate.com on Dec. 7, 2010.

Web page of Retractable Dog Leash with Flashlight, 2 pp., downloaded from www.nexusgadgets.com on Dec. 7, 2010.

Web page of 16 FT Automatic Dog Leash + Dog Waste Bag & Holder + LED Flashlight, 5 pp., downloaded from www.amazon.com on Dec. 7, 2010.

Web page of Classic Large Leash for Dogs, 1 p., downloaded from www.flexiusa.com on Dec. 7, 2010.

\* cited by examiner

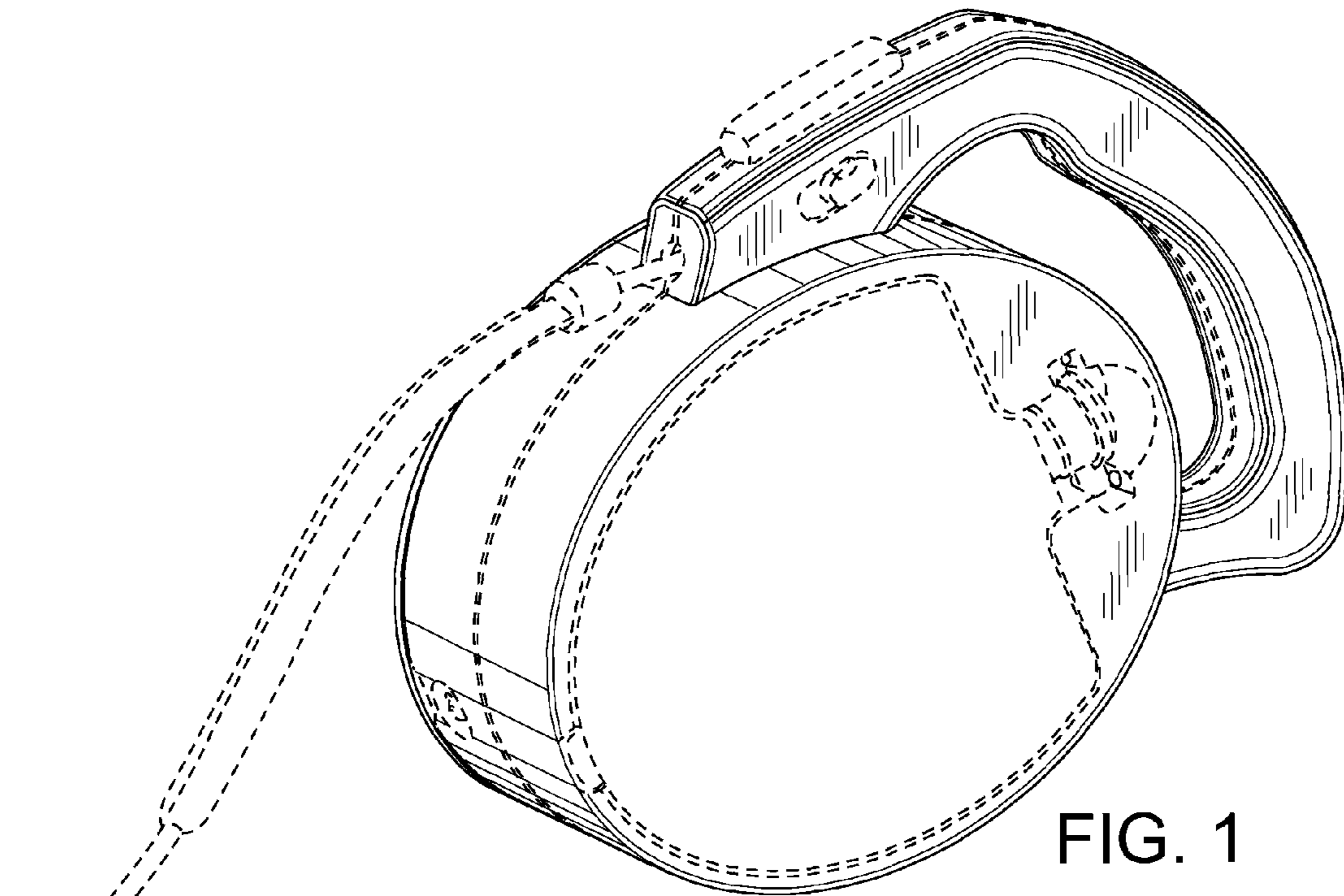


FIG. 1

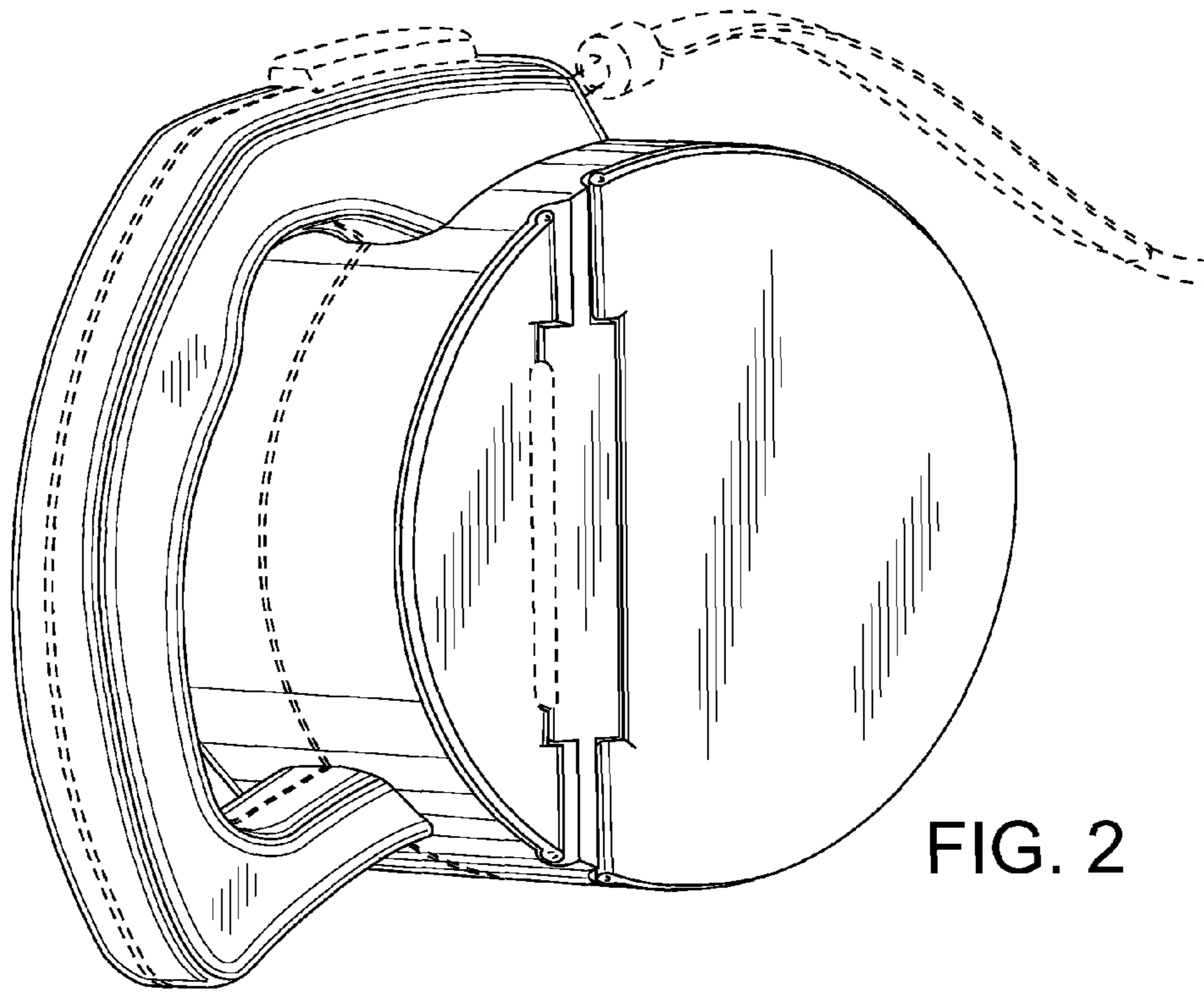


FIG. 2

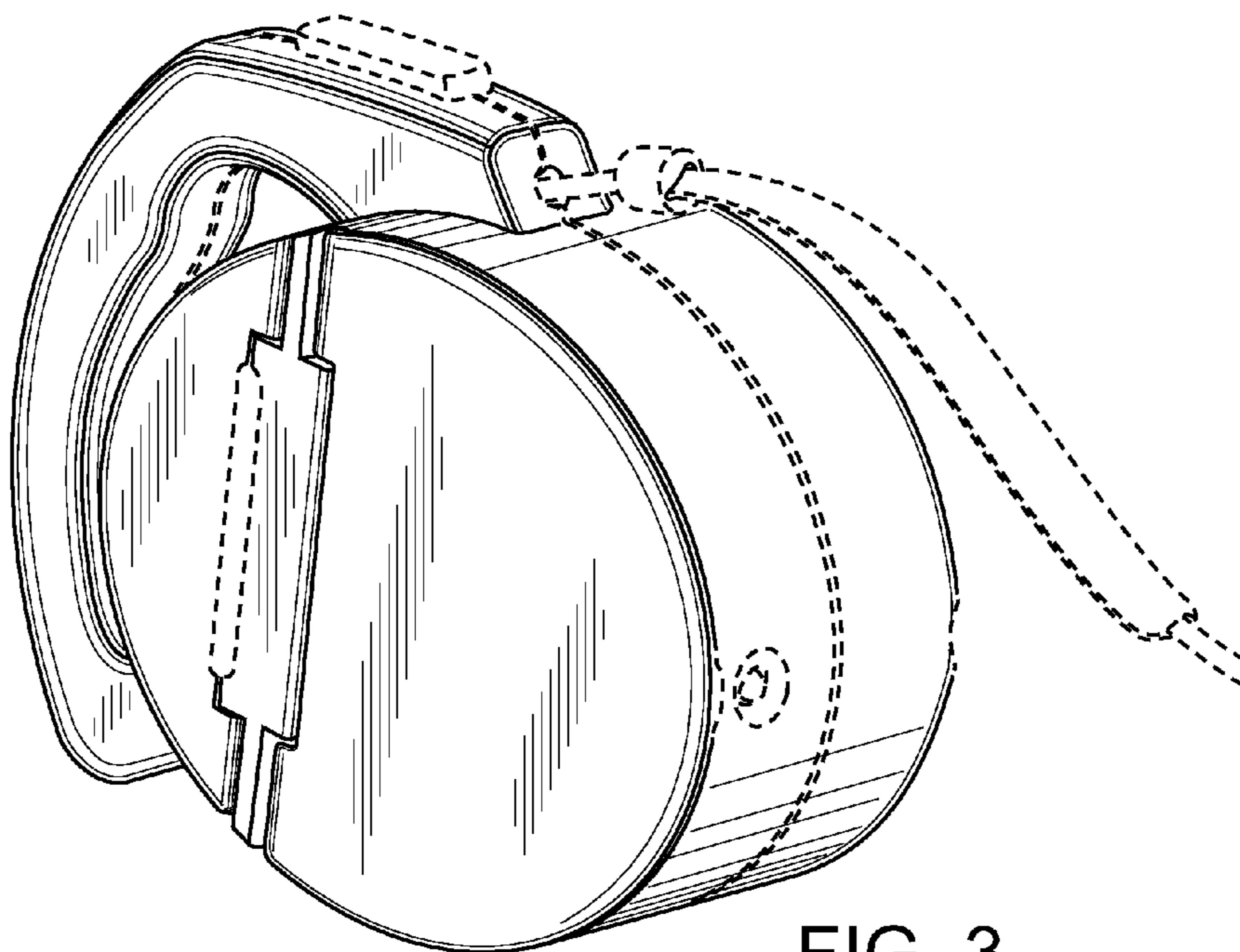


FIG. 3

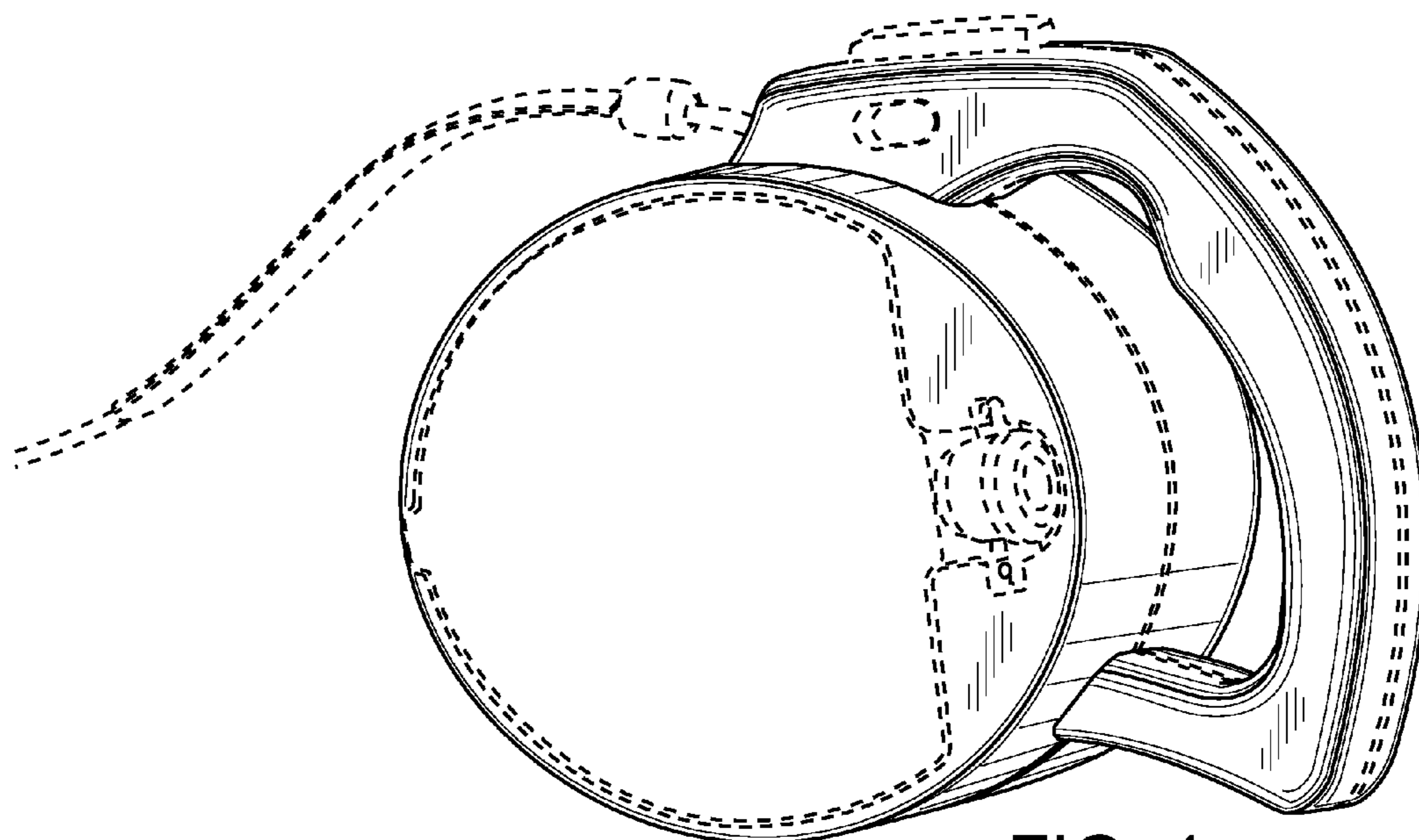


FIG. 4

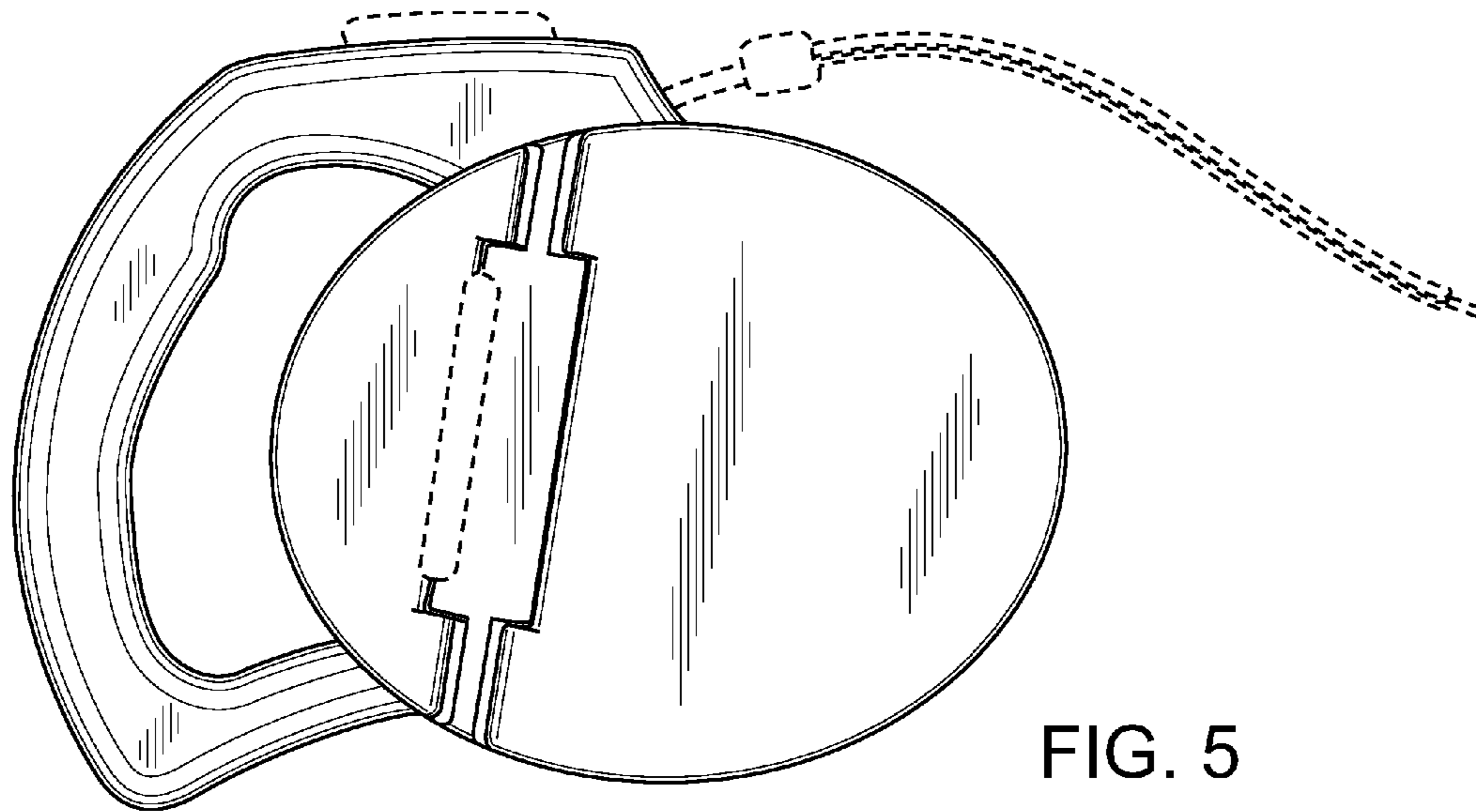


FIG. 5

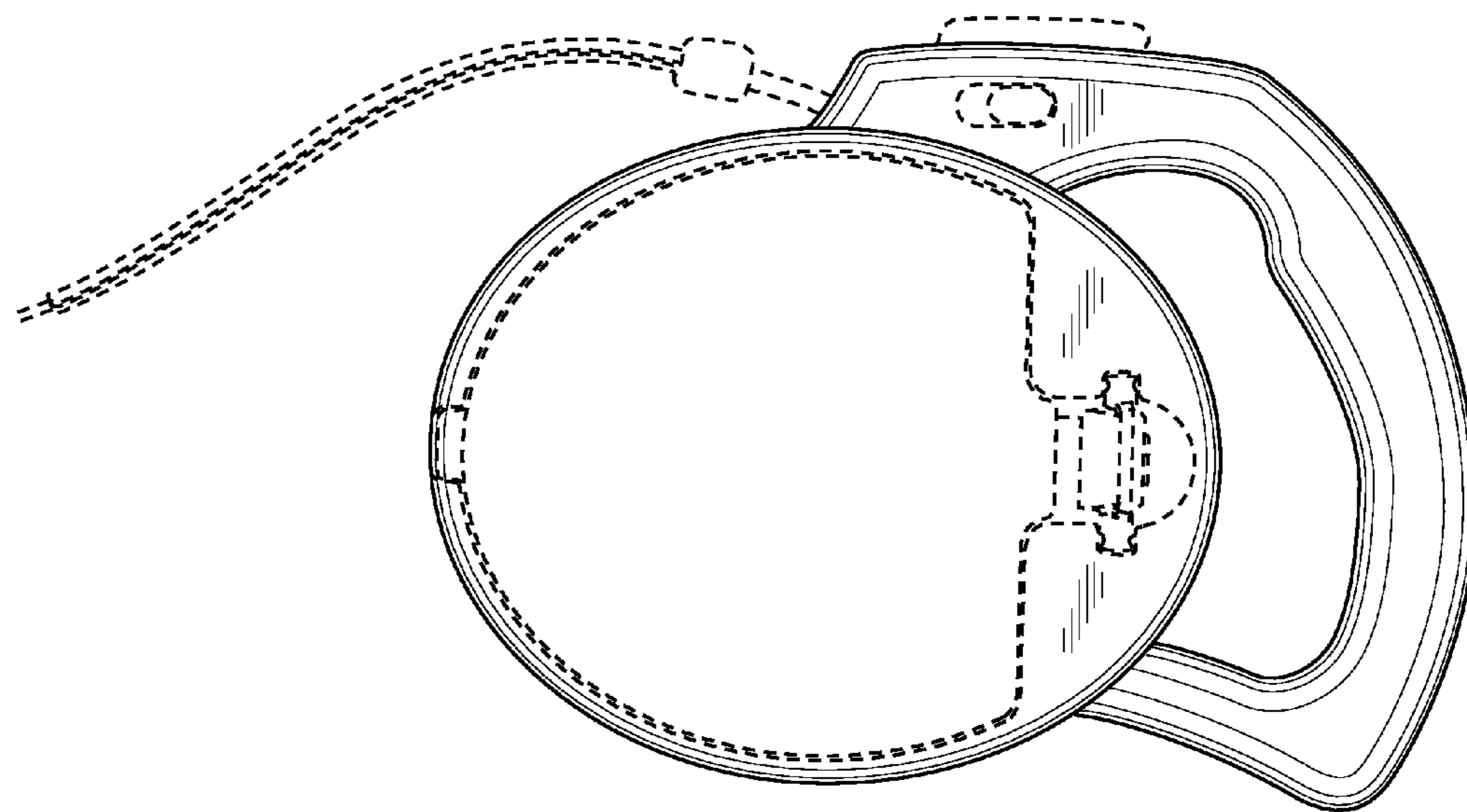


FIG. 6

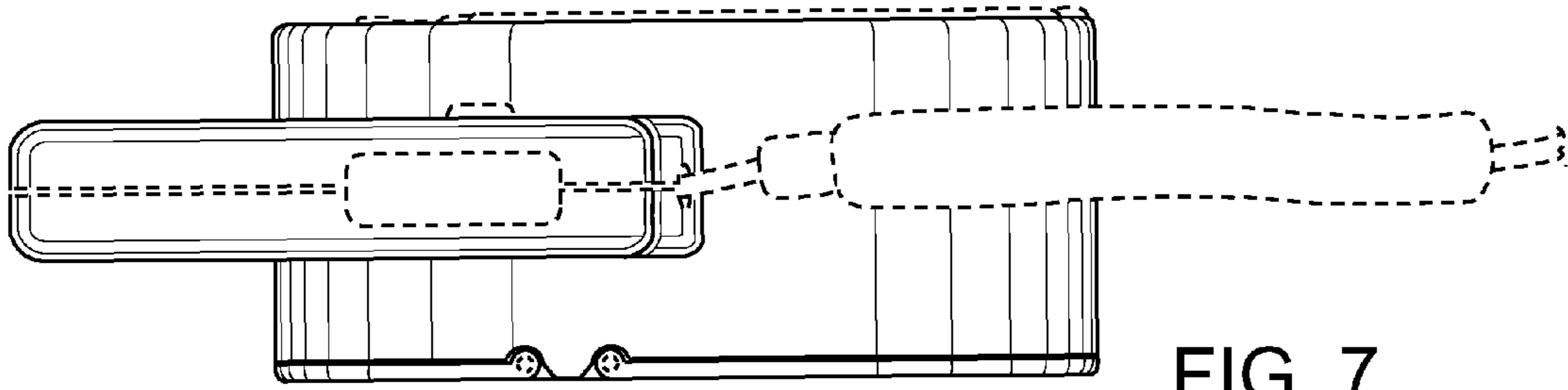


FIG. 7

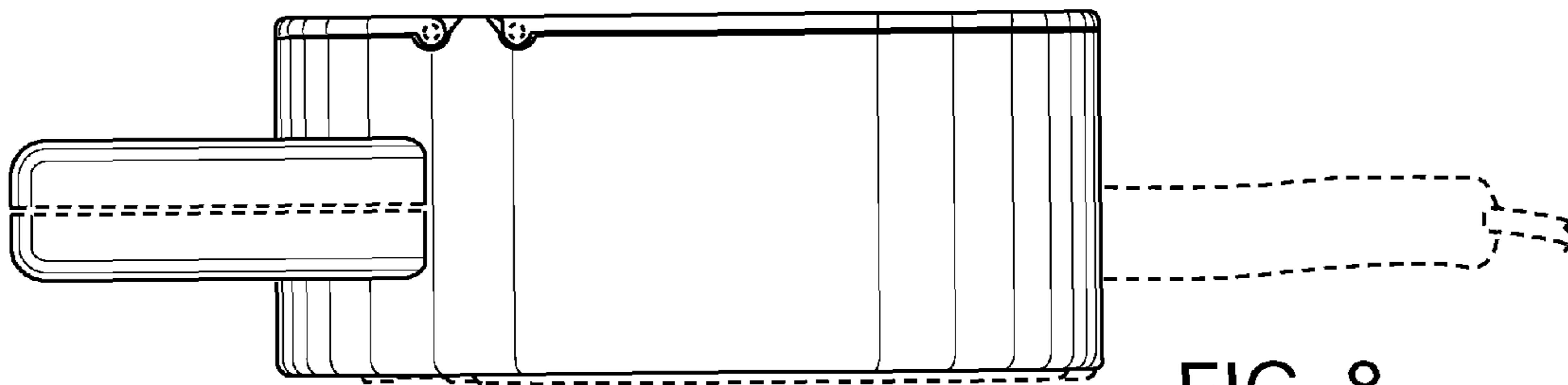


FIG. 8

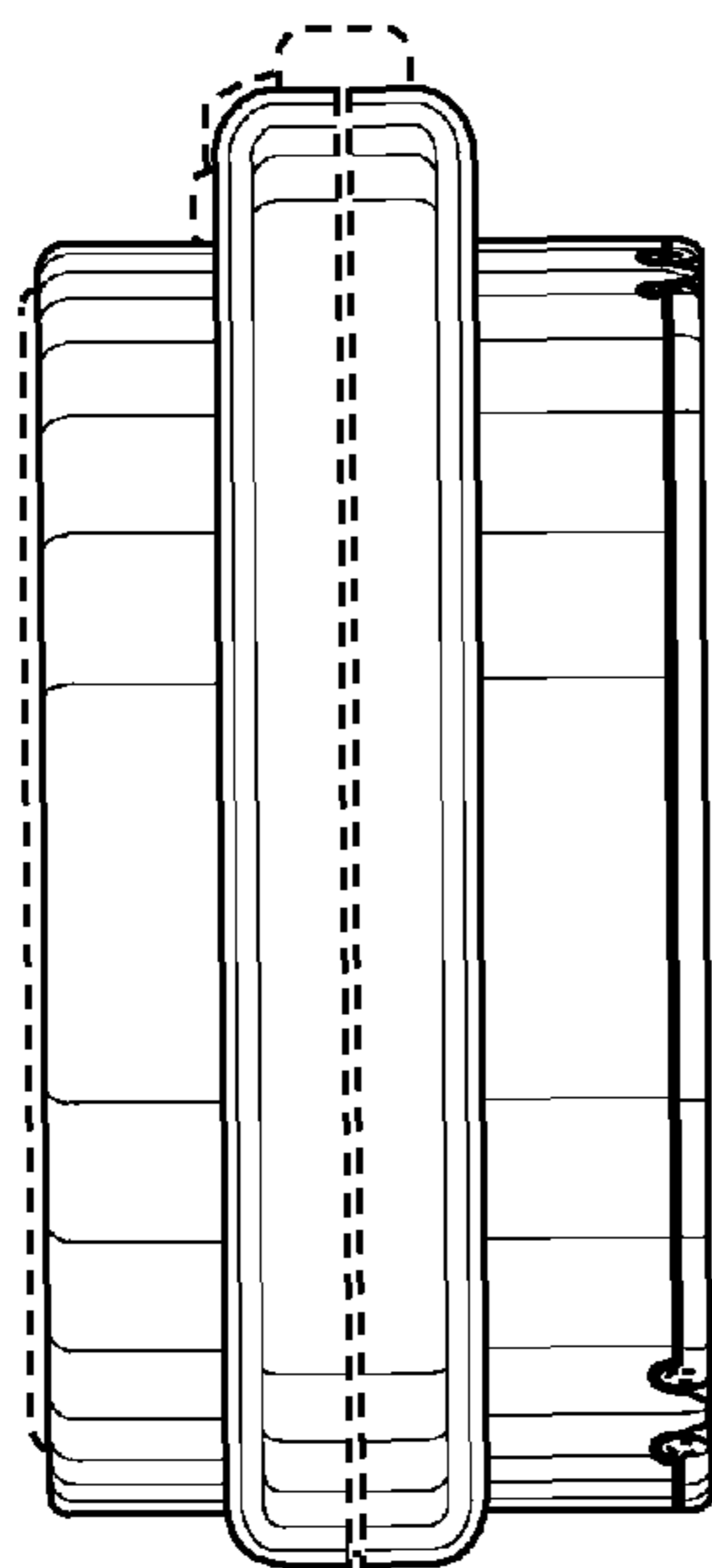


FIG. 9

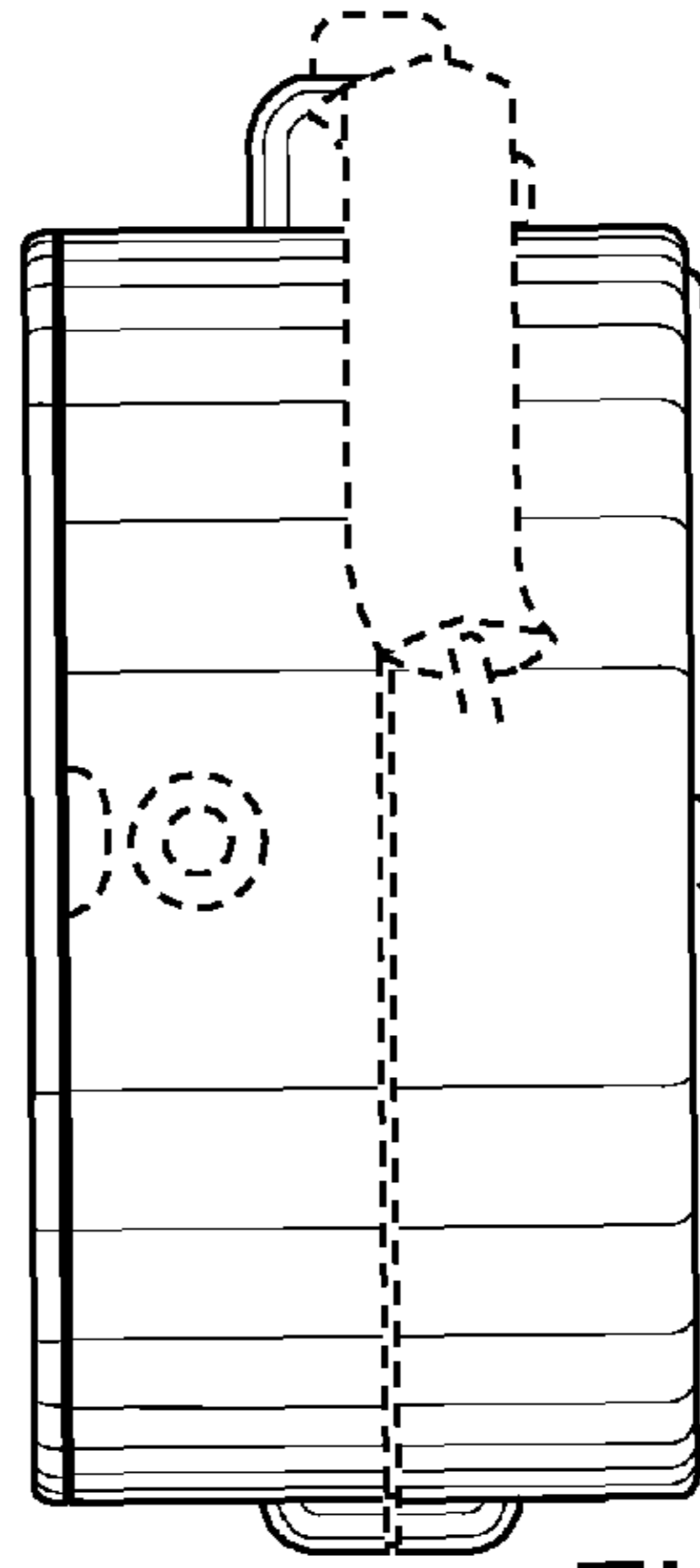


FIG. 10