



US00D643158S

(12) **United States Design Patent**  
**Lipscomb et al.**

(10) **Patent No.:** **US D643,158 S**

(45) **Date of Patent:** **\*\* Aug. 9, 2011**

(54) **WATER WHEEL**

(75) Inventors: **John M. Lipscomb**, Cedarburg, WI  
(US); **Qing He**, North Andover, MA  
(US)

(73) Assignee: **Pioneer Pet Products, LLC**, Cedarburg,  
WI (US)

(\*\*) Term: **14 Years**

(21) Appl. No.: **29/375,837**

(22) Filed: **Sep. 28, 2010**

(51) **LOC (9) Cl.** ..... **30-03**

(52) **U.S. Cl.** ..... **D30/133; D30/132**

(58) **Field of Classification Search** ..... D30/133,  
D30/121, 128, 130, 132; 119/52.1, 55, 61.5-61.56;  
D6/480-485; 248/188; 312/204; 108/153.1-157  
See application file for complete search history.

(56) **References Cited**

**U.S. PATENT DOCUMENTS**

154,407	A *	8/1874	Mason	.....	416/200 A
528,066	A *	10/1894	Ariens	.....	185/17
1,552,290	A *	9/1925	Fowler	.....	211/131.2
2,037,278	A *	4/1936	Siber	.....	73/861.88
3,057,328	A *	10/1962	Swartz	.....	119/700
3,126,870	A *	3/1964	Matthew	.....	119/57.9
3,134,360	A *	5/1964	Lewis	.....	119/51.01
3,784,024	A *	1/1974	Kristy	.....	211/131.2
3,788,277	A *	1/1974	Willinger et al.	.....	119/700
D236,513	S *	8/1975	Palmer	.....	D30/160
D237,391	S *	10/1975	Willinger et al.	.....	D30/160
3,933,126	A *	1/1976	Gordon	.....	119/700
D240,306	S *	6/1976	Suchowski et al.	.....	D30/160
3,999,519	A *	12/1976	Rodemeyer	.....	119/475
4,023,915	A	5/1977	Kerby		
4,461,174	A	7/1984	Han		
4,526,134	A *	7/1985	Sapp	.....	119/51.13
4,543,095	A *	9/1985	Jensen	.....	604/246
4,574,822	A *	3/1986	Helinsky	.....	132/286
D285,592	S *	9/1986	Kushner	.....	D21/493

4,825,707	A *	5/1989	Rosaen	.....	73/861.77
4,878,869	A *	11/1989	Yamane et al.	.....	446/130
4,960,275	A *	10/1990	Magon	.....	472/13
5,022,346	A *	6/1991	Robertson	.....	119/52.2
5,039,180	A *	8/1991	Lemons	.....	312/267
5,165,364	A *	11/1992	Horkey	.....	119/57.8
D342,587	S *	12/1993	Bransky et al.	.....	D30/124
5,370,247	A *	12/1994	Handleman	.....	211/164
5,372,474	A *	12/1994	Miller	.....	415/1
5,387,146	A *	2/1995	Smith et al.	.....	446/175
D361,172	S *	8/1995	Gates	.....	D30/124
D369,817	S *	5/1996	Hauch	.....	D15/147
5,938,403	A	8/1999	Okada et al.		
6,029,688	A	2/2000	Kaufman		
6,394,030	B1 *	5/2002	Geiger et al.	.....	119/57.8
6,499,939	B2	12/2002	Downing		
D471,326	S *	3/2003	Weiser et al.	.....	D30/124
6,557,491	B1 *	5/2003	Weiser et al.	.....	119/57.8
6,561,129	B1 *	5/2003	Cheng	.....	119/72.5
D484,284	S *	12/2003	Venson et al.	.....	D30/160
D498,510	S	11/2004	Berggren		
D511,867	S *	11/2005	Weiser et al.	.....	D30/124

(Continued)

*Primary Examiner* — Susan Moon Lee

(74) *Attorney, Agent, or Firm* — Boyle Fredrickson, S.C.

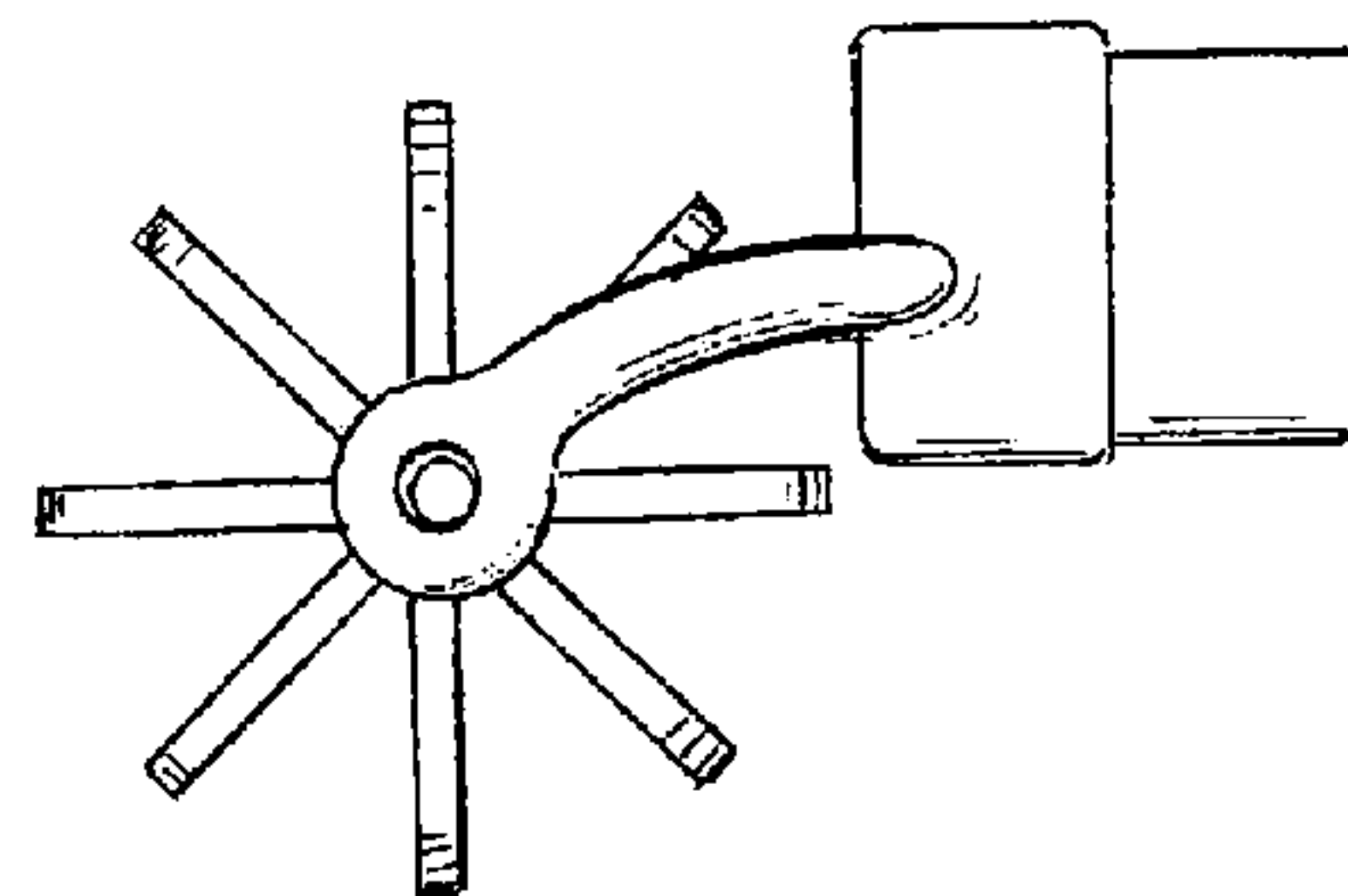
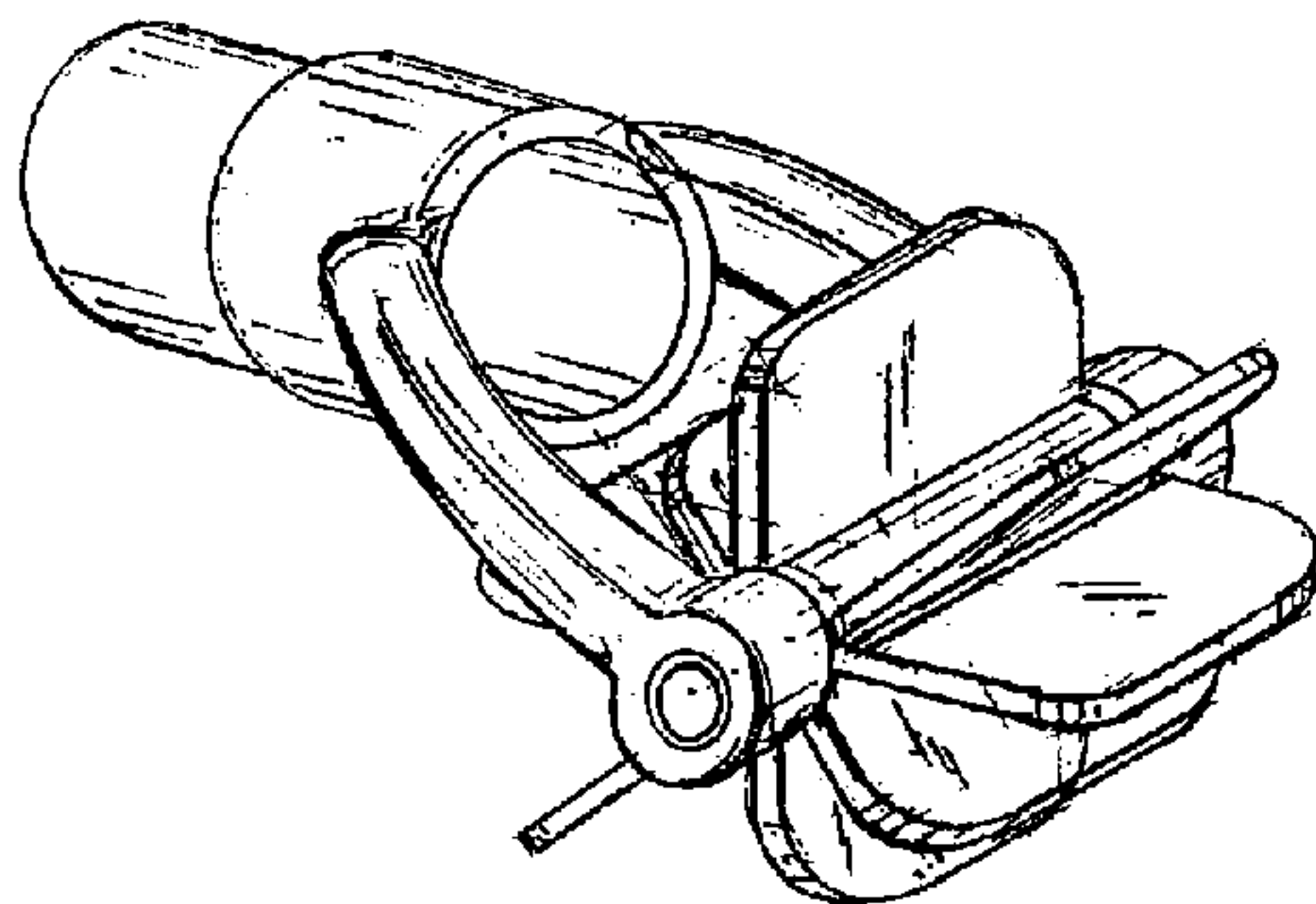
(57) **CLAIM**

The ornamental design for a water wheel, as shown and described.

**DESCRIPTION**

FIG. 1 is a perspective view of a water wheel incorporating our new design, viewed from in front of, above, and from the left side thereof;  
FIG. 2 is a rear elevation view thereof;  
FIG. 3 is a right side elevation view thereof;  
FIG. 4 is a left side elevation view thereof;  
FIG. 5 is a front elevation view thereof;  
FIG. 6 is a top plan view thereof; and,  
FIG. 7 is a bottom plan view thereof.

**1 Claim, 2 Drawing Sheets**



# US D643,158 S

Page 2

---

## U.S. PATENT DOCUMENTS

6,959,838	B2	11/2005	Eddins et al.				
7,028,636	B2 *	4/2006	Weiser et al. ....	119/57.8			
D552,642	S *	10/2007	Scheinman .....	D15/145			
D581,603	S *	11/2008	Woltmann et al. ....	D30/119			
D591,006	S *	4/2009	Ragonetti et al. ....	D30/119			
7,559,173	B2 *	7/2009	Brusatore .....	47/82			
D611,507	S *	3/2010	Martin .....	D15/29			
7,770,539	B1 *	8/2010	Zimmerman et al. ....	119/700			

\* cited by examiner

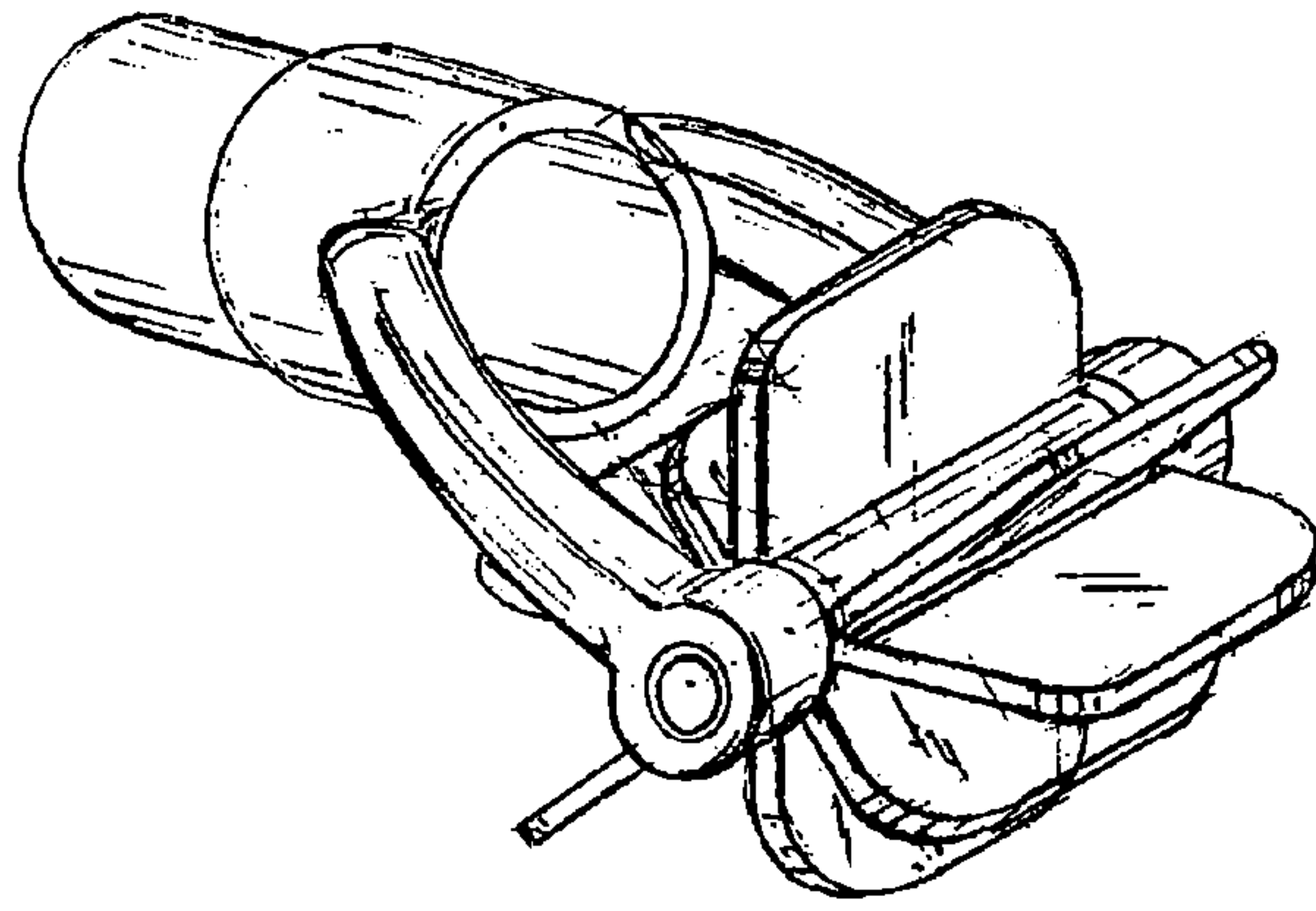


FIG. 1

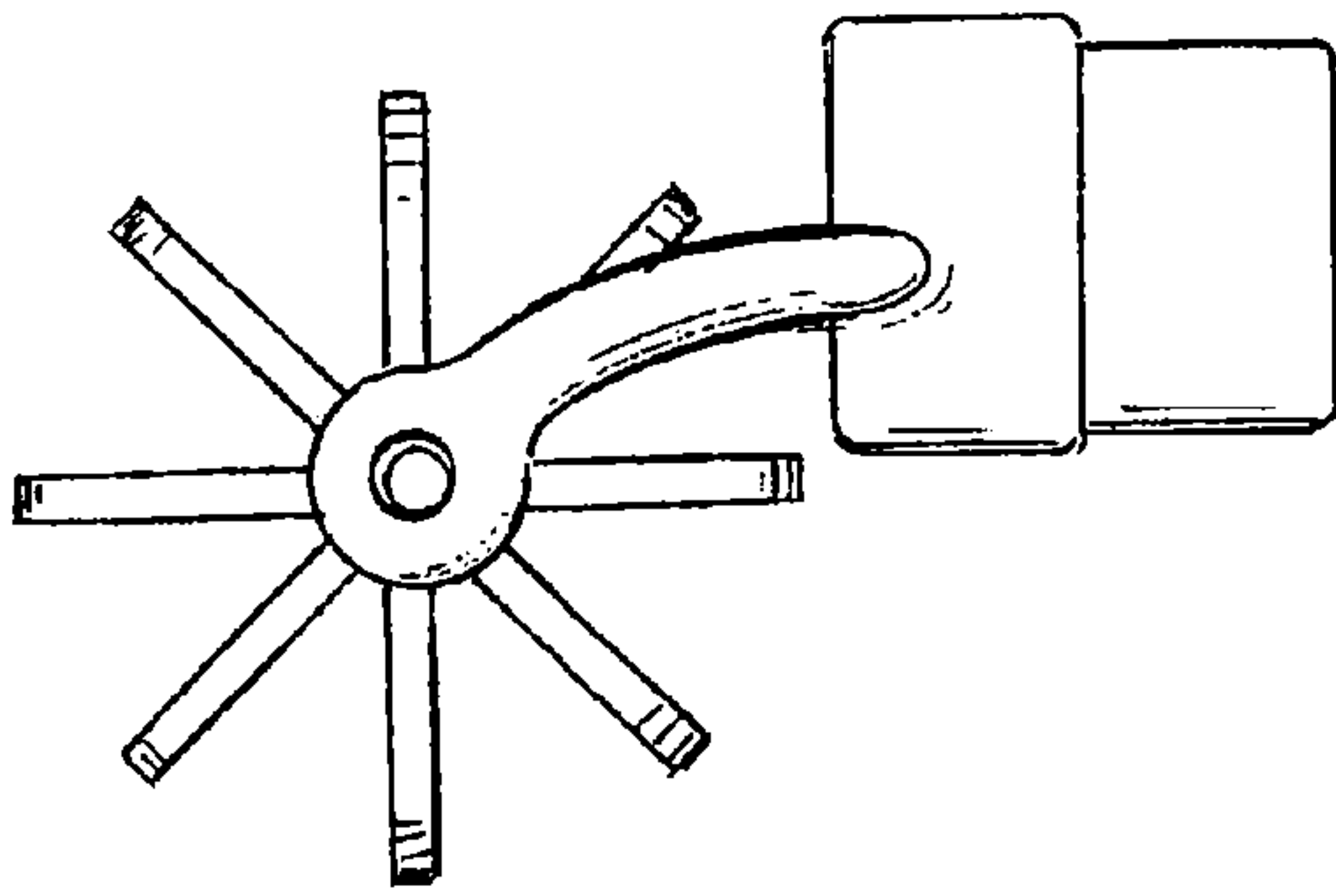


FIG. 3

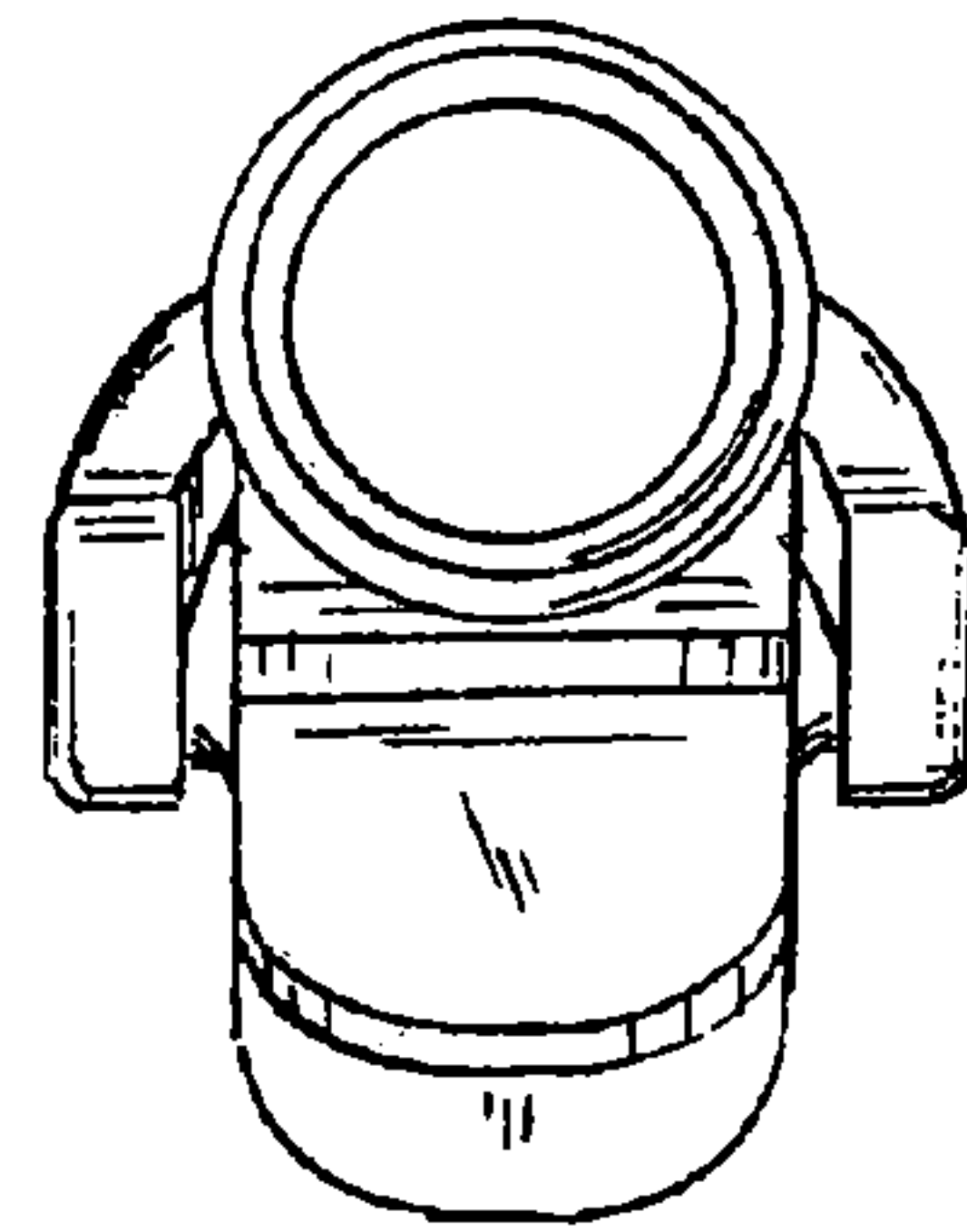


FIG. 2

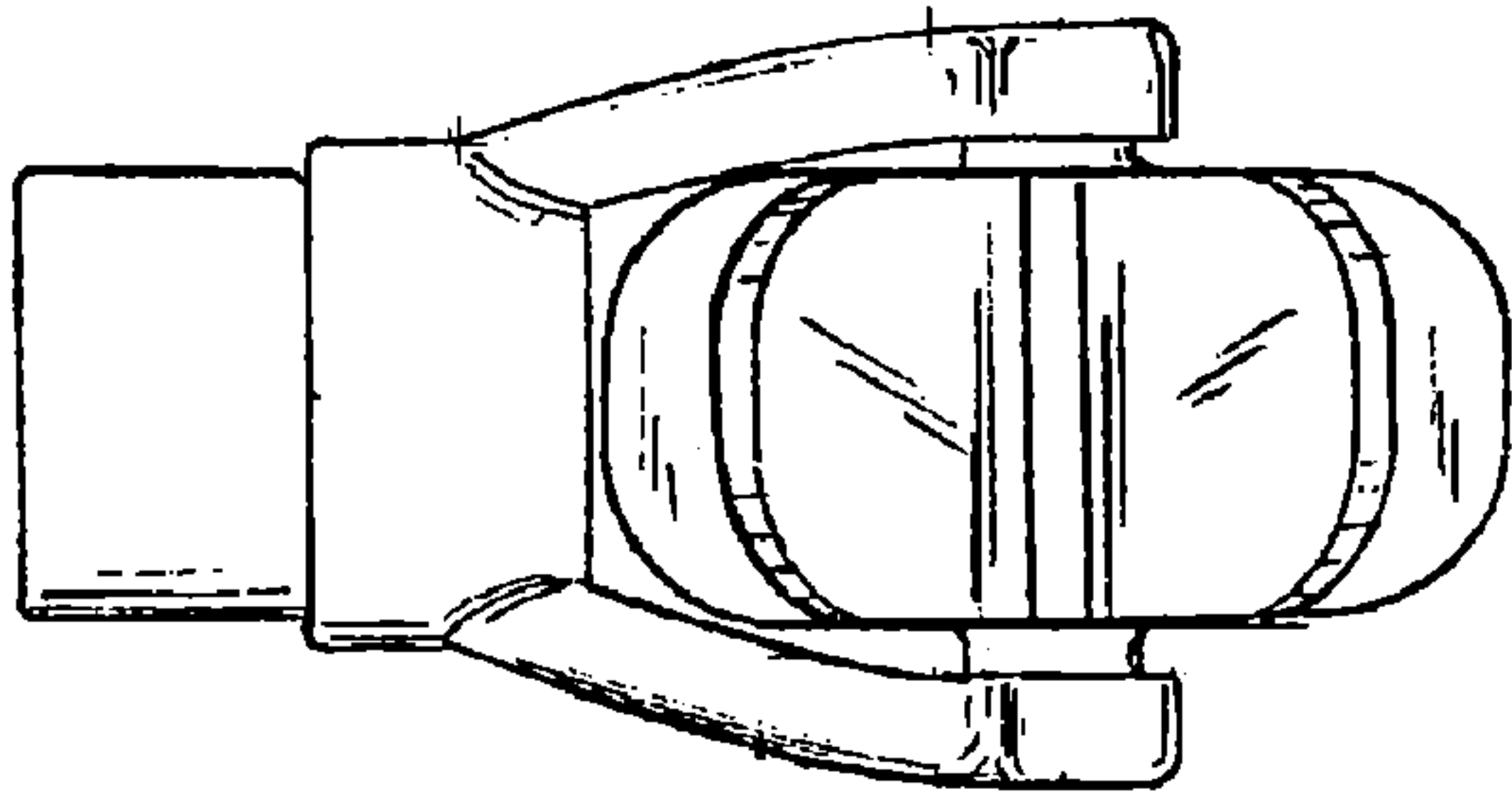


FIG. 6

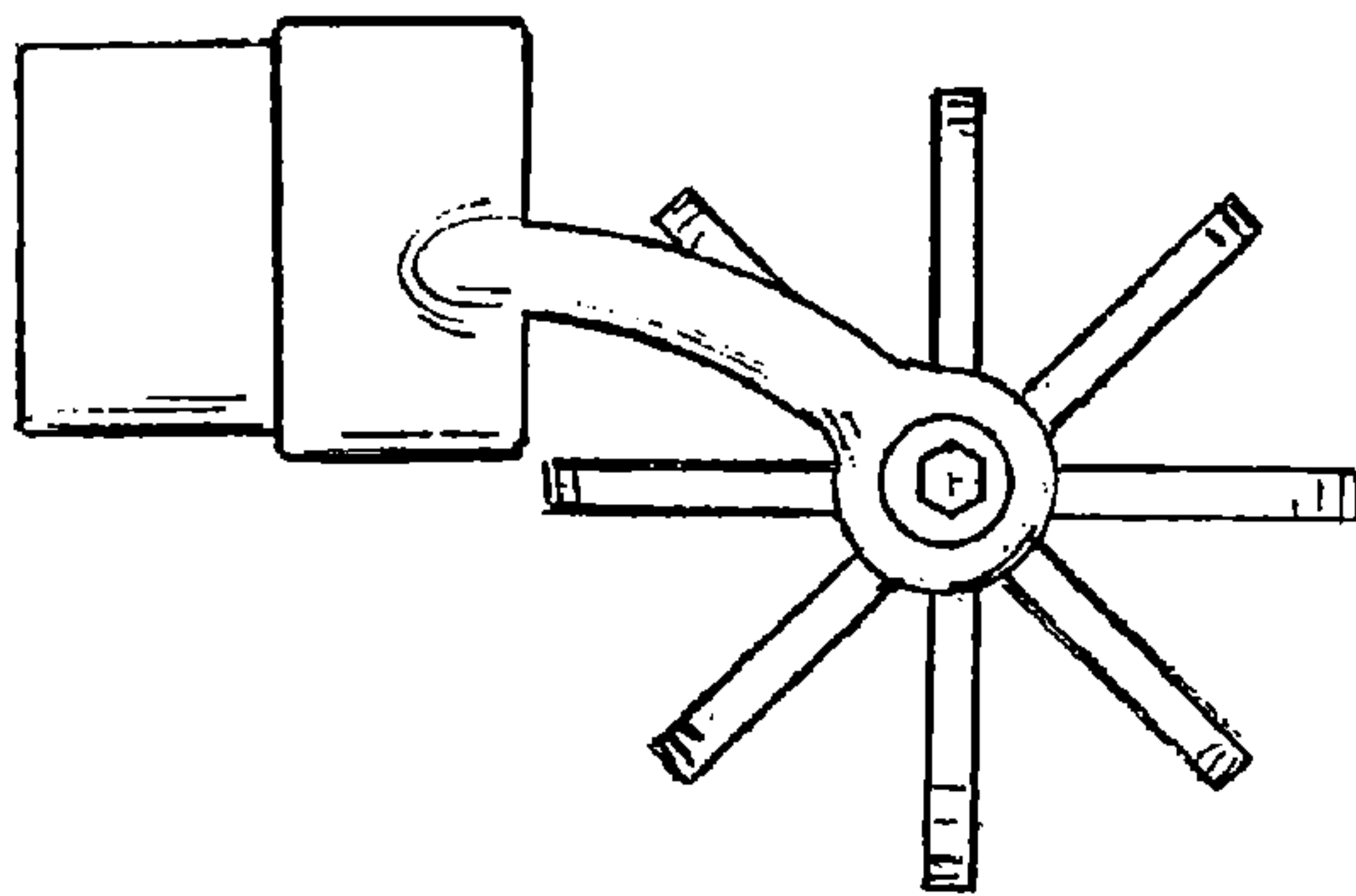


FIG. 4

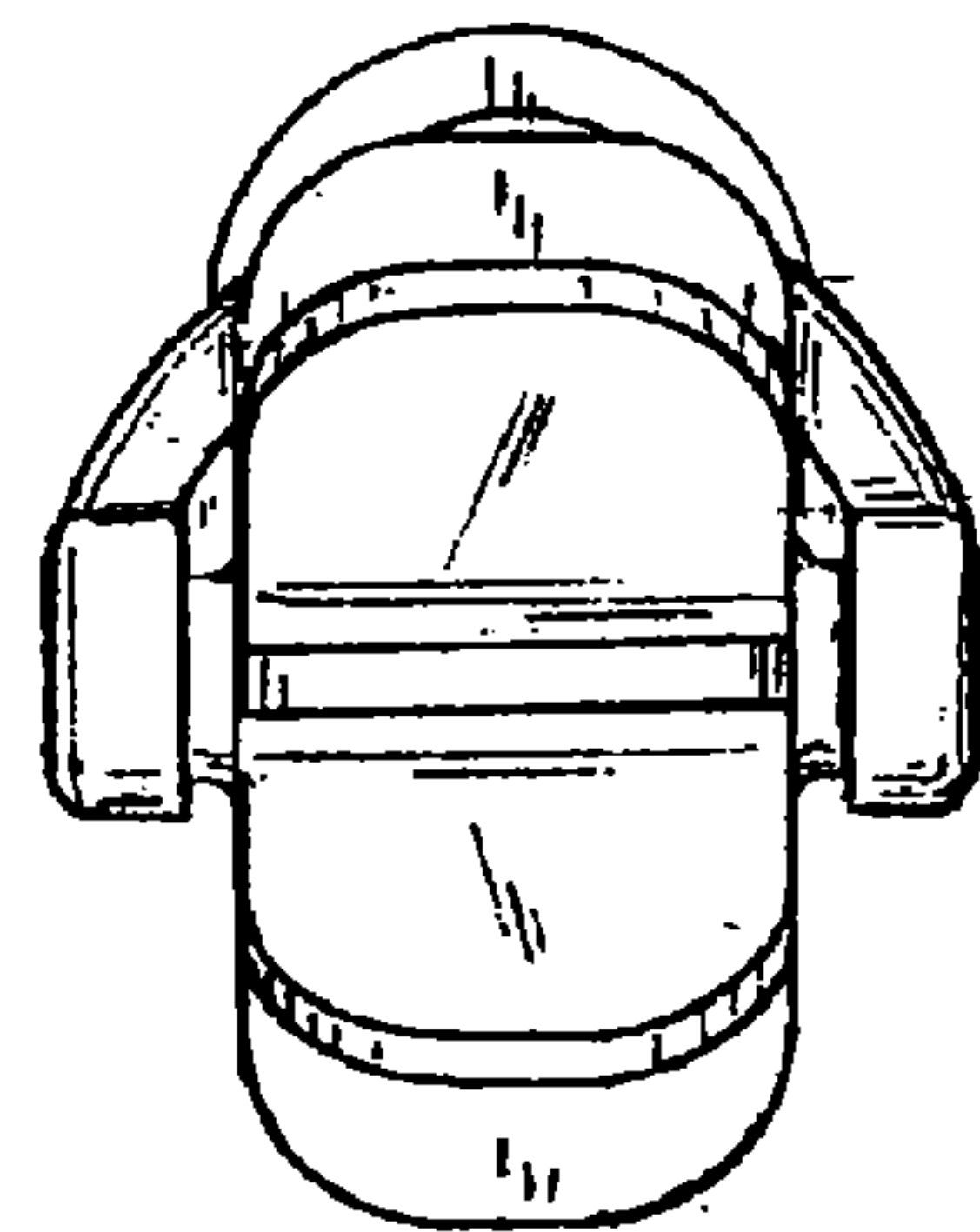


FIG. 5

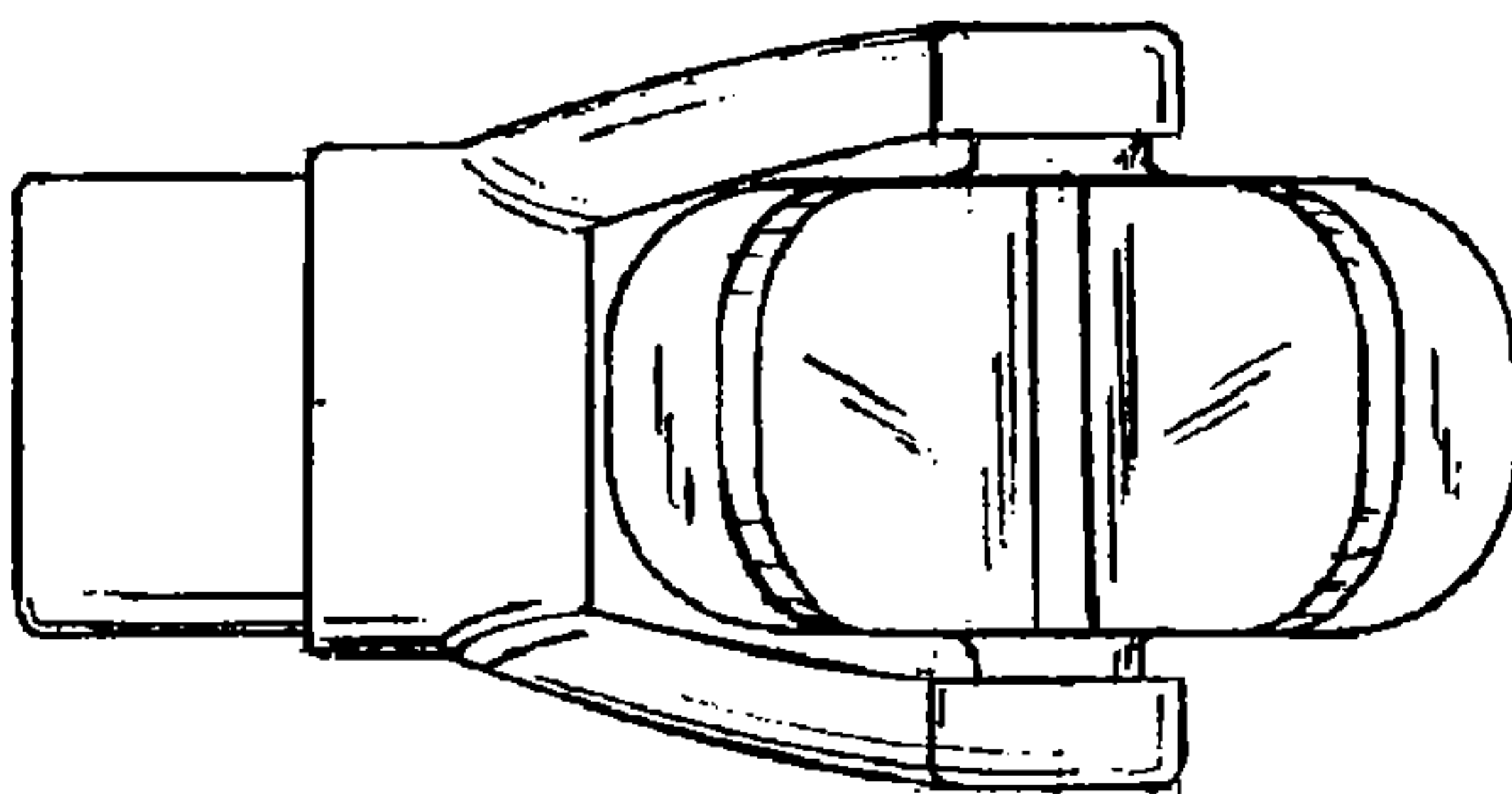


FIG. 7