



US00D643157S

(12) **United States Design Patent**  
**Grijalva**

(10) **Patent No.:** **US D643,157 S**

(45) **Date of Patent:** **\*\* Aug. 9, 2011**

(54) **HAT-ATTACHED SUN SHADE**

(76) **Inventor:** **Amador Charles Grijalva, Selma, CA (US)**

(\*\*) **Term:** **14 Years**

(21) **Appl. No.:** **29/360,286**

(22) **Filed:** **Apr. 22, 2010**

(51) **LOC (9) Cl.** ..... **29-02**

(52) **U.S. Cl.** ..... **D29/122**

(58) **Field of Classification Search** ..... D29/102-107,  
D29/109, 111, 122; 2/6.1, 6.3, 6.5, 6.7, 10,  
2/175.6, 184.5, 195.1, 414, 421-425, 427,  
2/468; D2/882, 886, 893

See application file for complete search history.

(56) **References Cited**

**U.S. PATENT DOCUMENTS**

D136,334 S	9/1943	Wit	
D363,812 S	11/1995	Cassady	
D380,591 S	7/1997	Kessel	
D383,890 S	9/1997	Downs	
D402,088 S	12/1998	Edwards	
5,884,334 A *	3/1999	Collette et al.	2/195.1
D420,493 S	2/2000	Blake	
D474,578 S	5/2003	Johnson	
D509,046 S	9/2005	Patterson	
D526,471 S	8/2006	Cashin	
D599,533 S	9/2009	Yun	
D603,145 S	11/2009	Erby	
D627,521 S *	11/2010	Lofton	D29/122
D627,933 S *	11/2010	Lofton	D29/122
2006/0174396 A1 *	8/2006	Rosas	2/175.6

\* cited by examiner

*Primary Examiner* — Susan Bennett Hattan

*Assistant Examiner* — Barbara Lohr

(74) *Attorney, Agent, or Firm* — QuickPatents, Inc.; Kevin Prince

(57) **CLAIM**

What is claimed is the ornamental design for a hat-attached sun shade, as shown and described.

**DESCRIPTION**

FIG. 1 is a perspective view of a hat-attached sun shade, showing the new design with a drape and a pair of ear coverings each in a deployed configuration;  
 FIG. 2 is a front elevational view thereof;  
 FIG. 3 is a rear elevational view thereof;  
 FIG. 4 is a right-side elevational view thereof, the left-side elevational view being a mirror image thereof;  
 FIG. 5 is a top plan view thereof;  
 FIG. 6 is a bottom plan view thereof;  
 FIG. 7 is a perspective view thereof, illustrated with only the pair of ear coverings in the deployed configuration and the drape in a stowed configuration;  
 FIG. 8 is a front elevational view thereof, illustrated with both the pair of ear coverings and the drape in the stowed configuration;  
 FIG. 9 is a rear elevational view thereof;  
 FIG. 10 is a right-side elevational view thereof, the left-side elevational view being a mirror image thereof;  
 FIG. 11 is a bottom plan view thereof; and,  
 FIG. 12 is a top plan view thereof.

The broken lines showing a person with a hat in the figures are included for the purpose of illustrating the invention in use, and form no part of the claimed design.

**1 Claim, 9 Drawing Sheets**

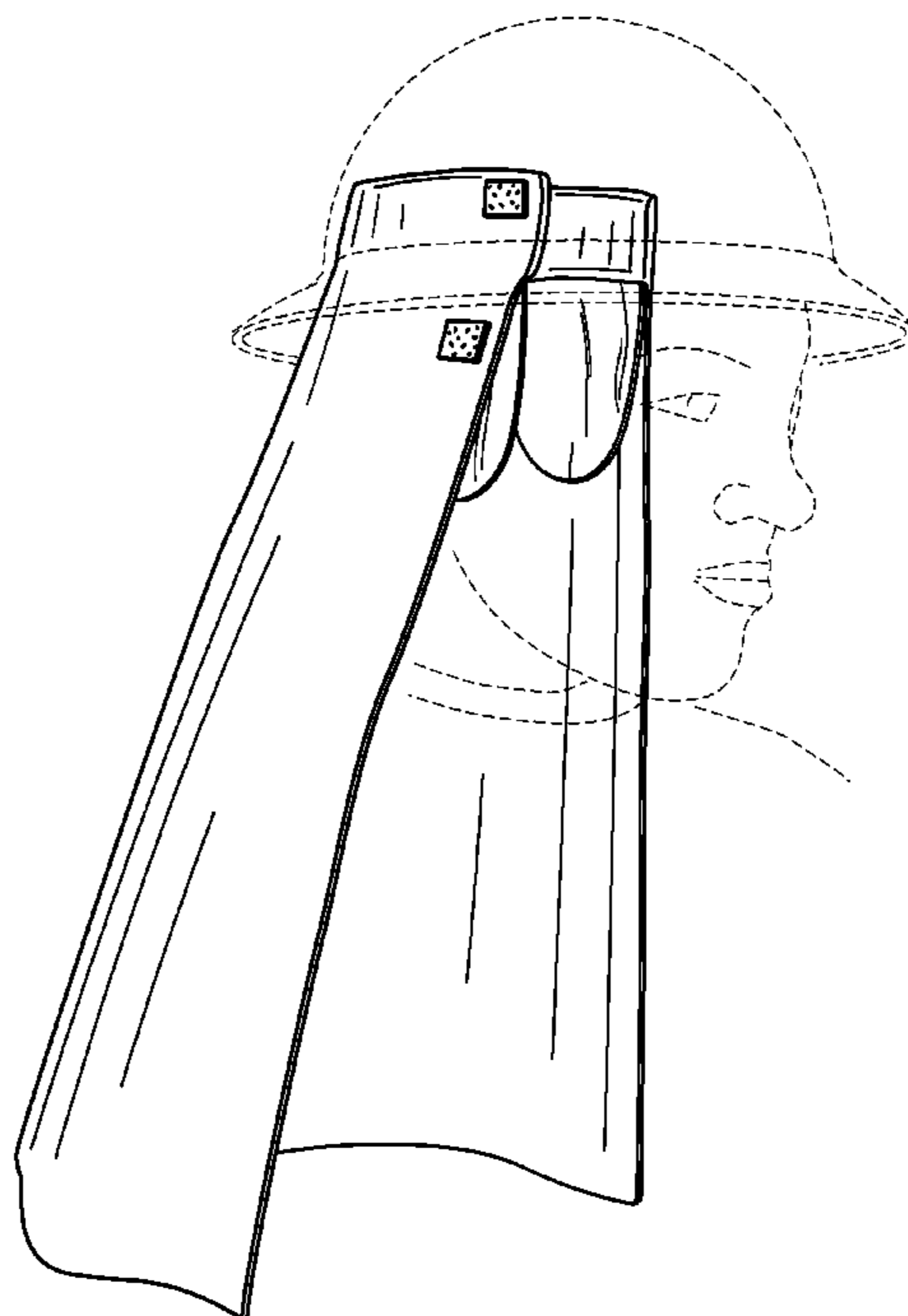


FIG. 1

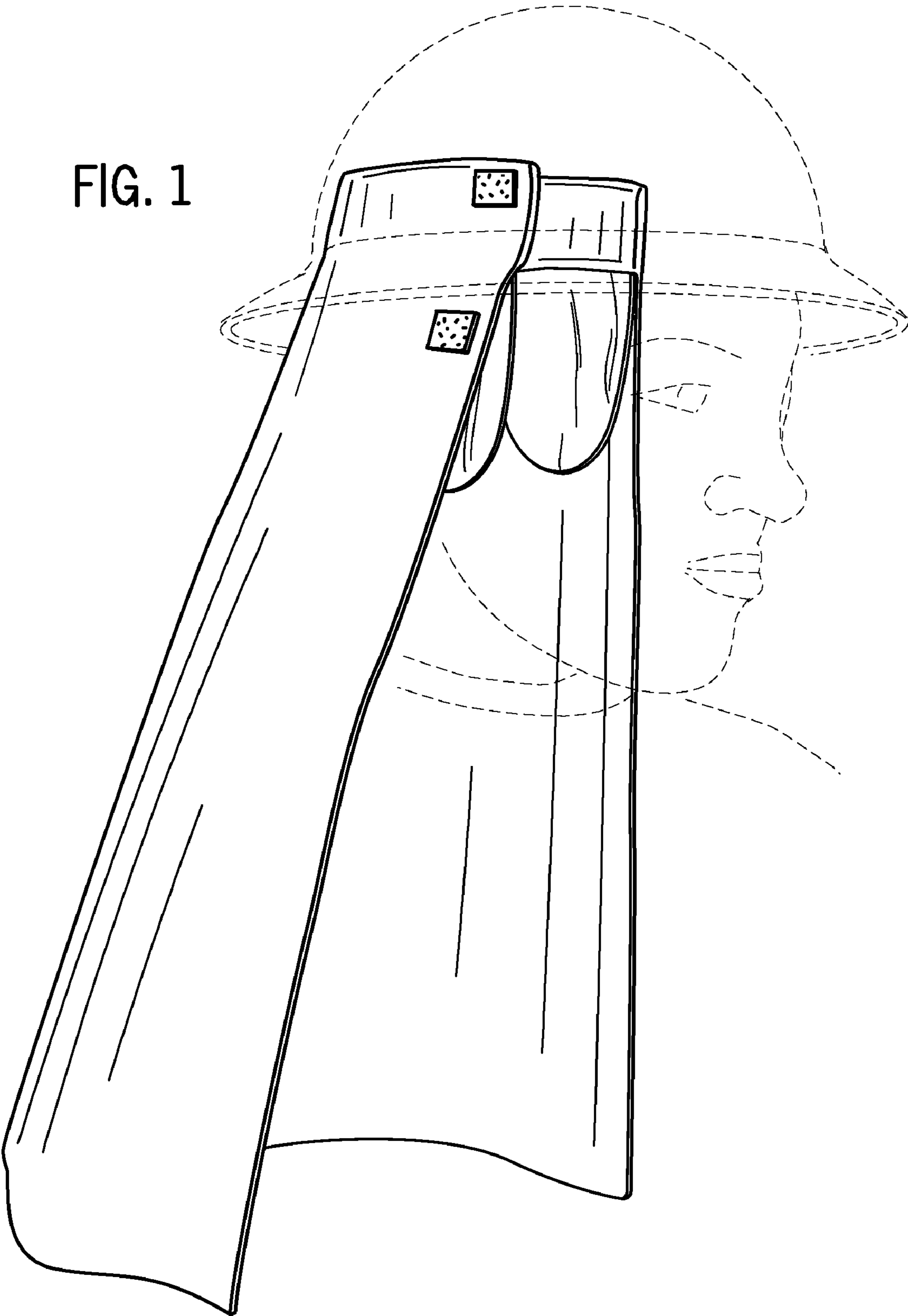


FIG. 2

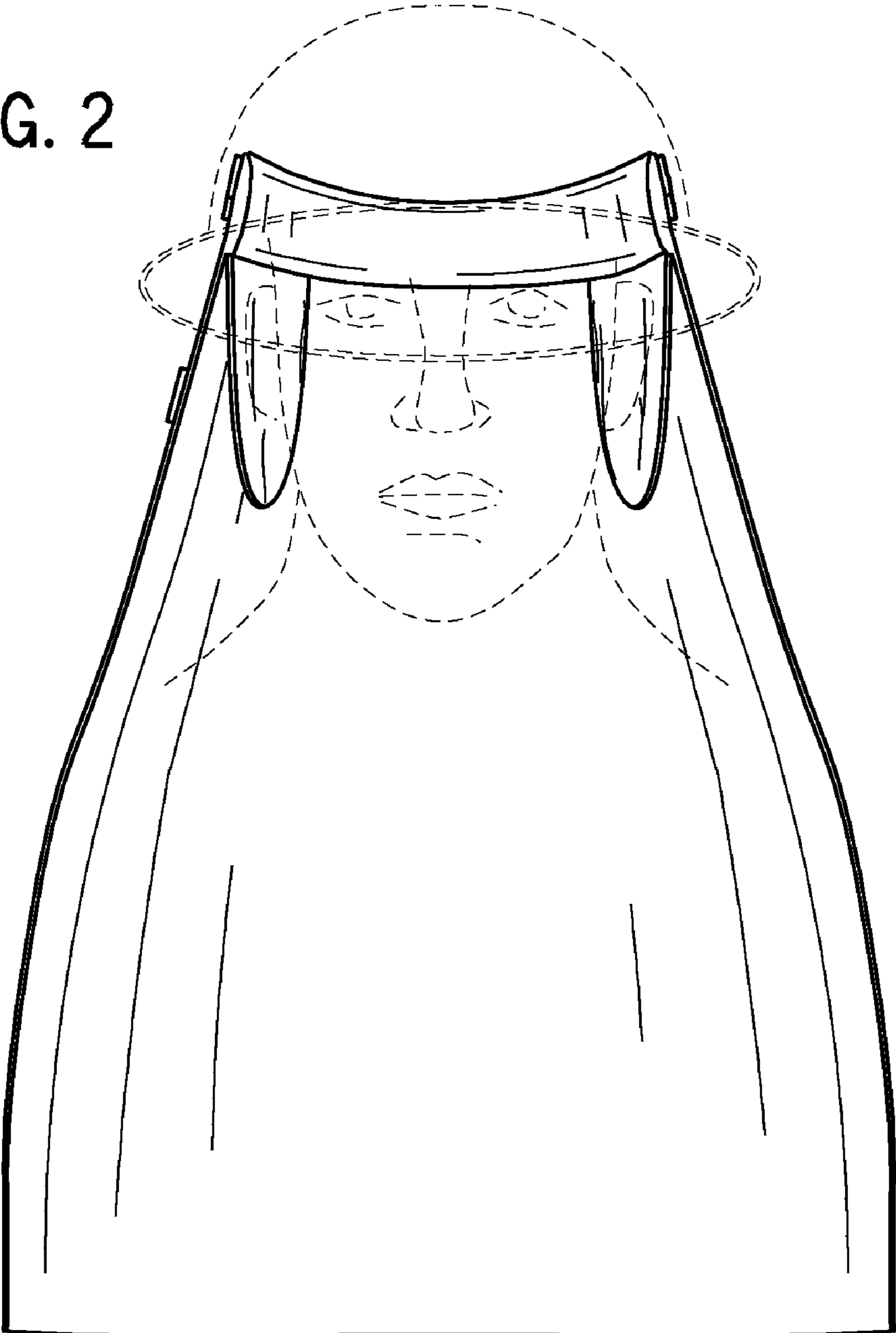
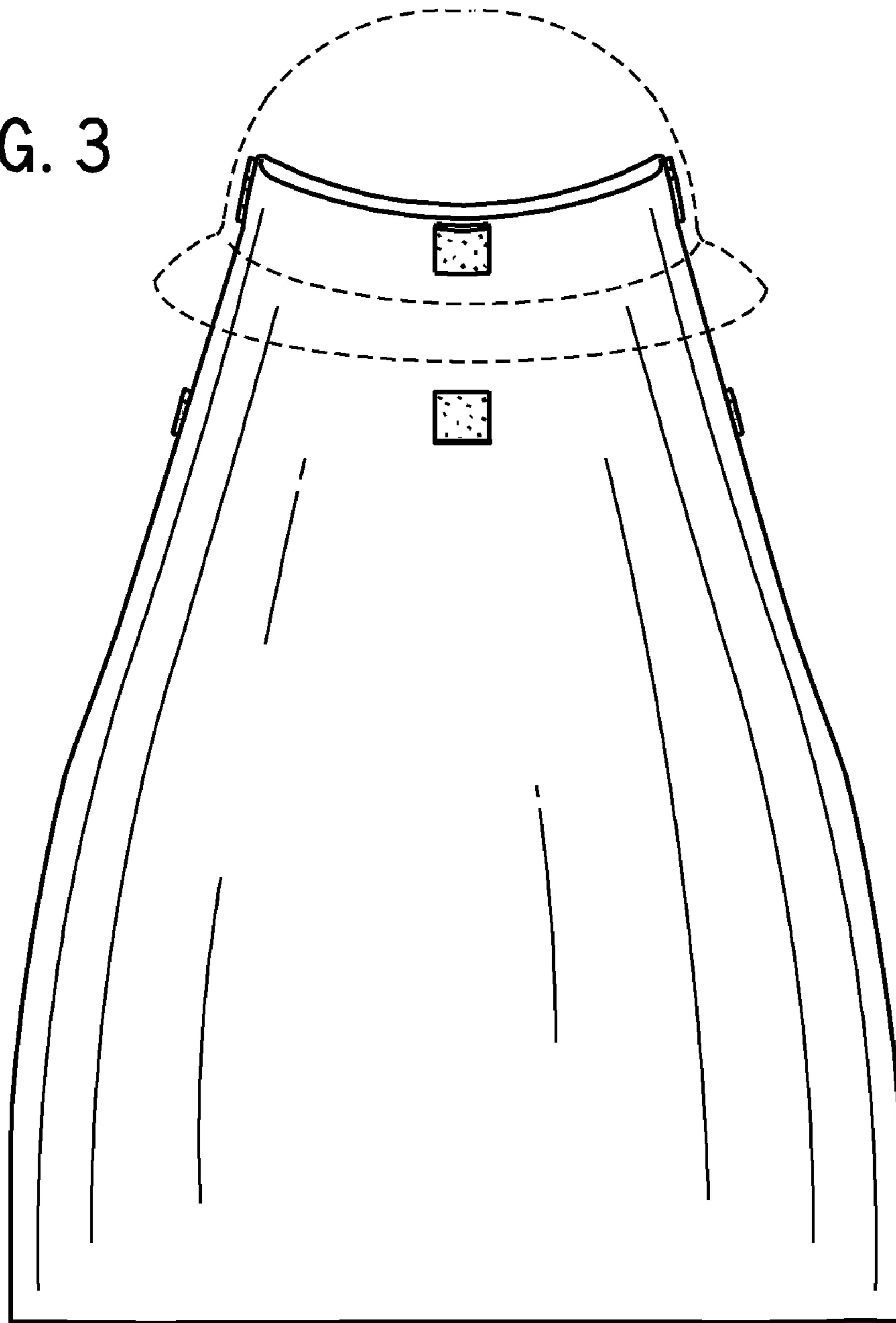


FIG. 3



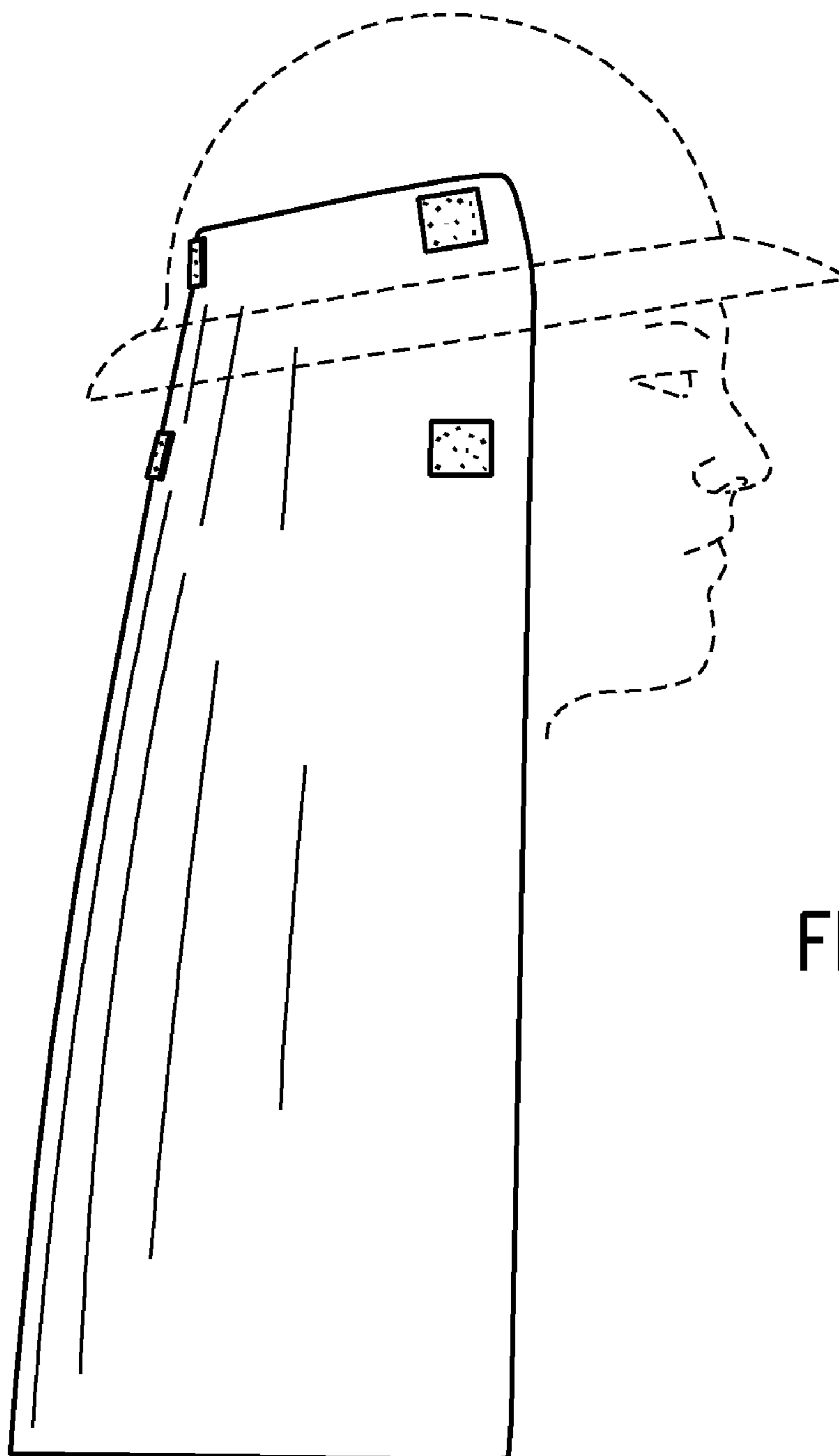


FIG. 4

FIG. 5

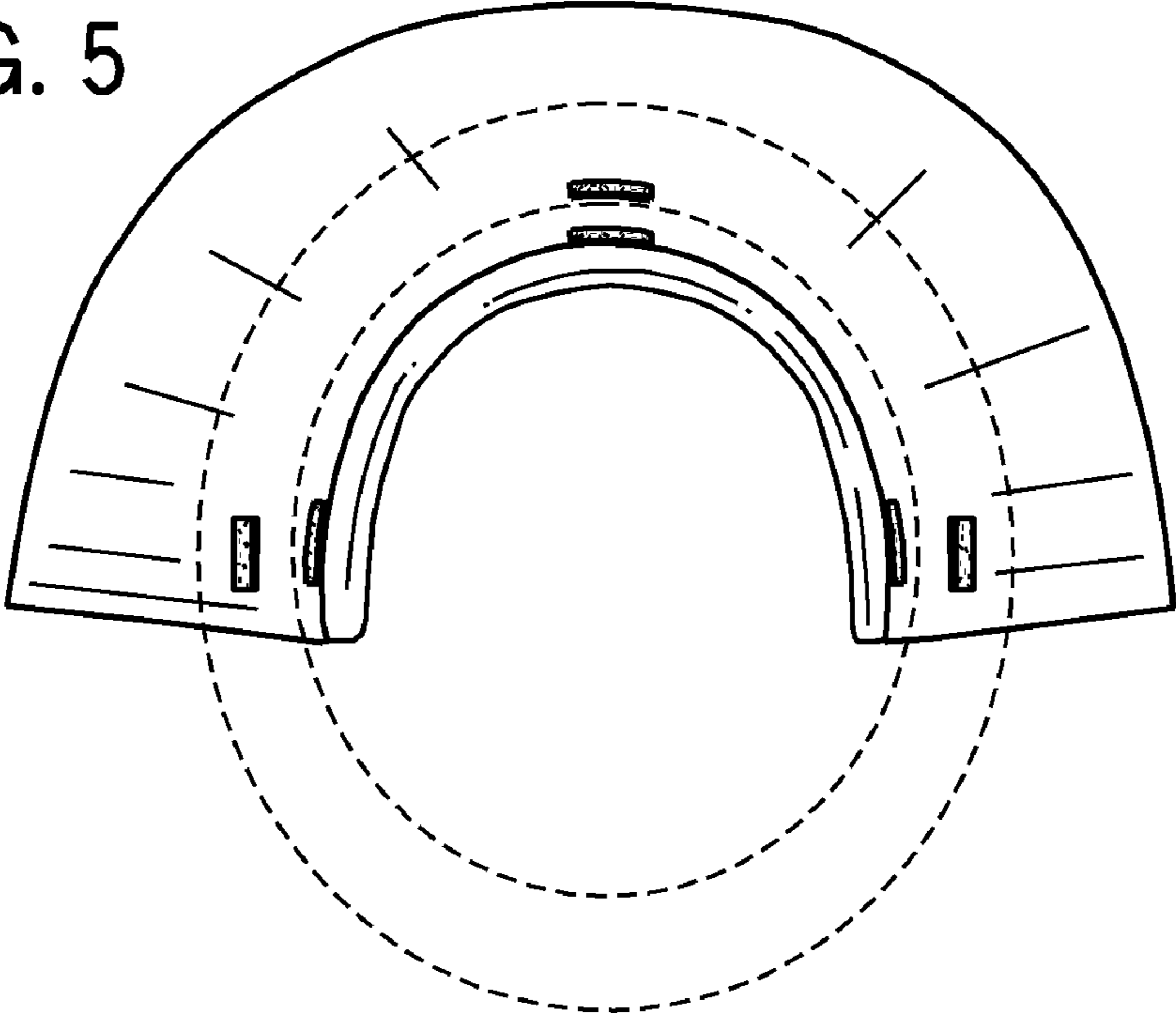


FIG. 6

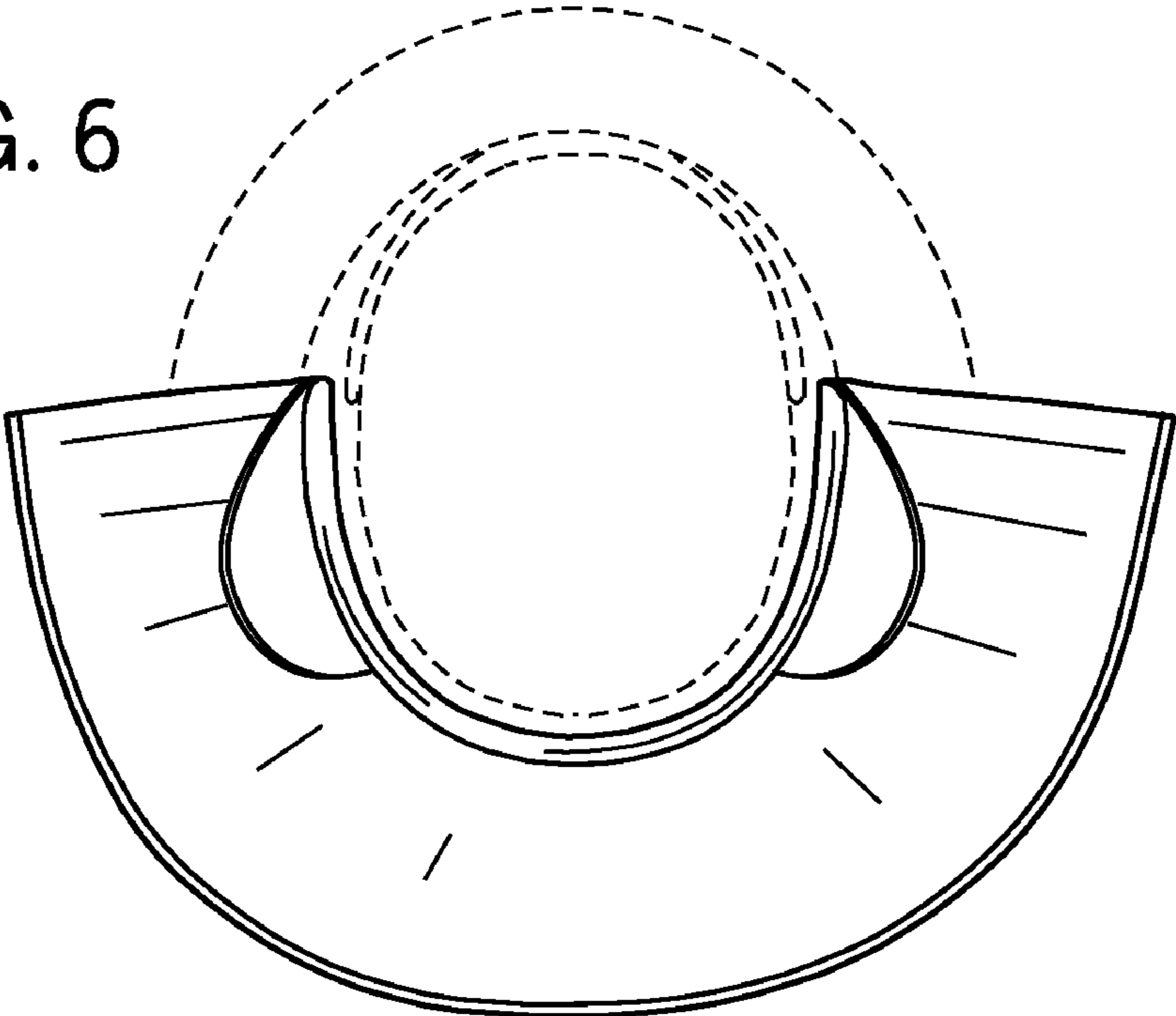


FIG. 7

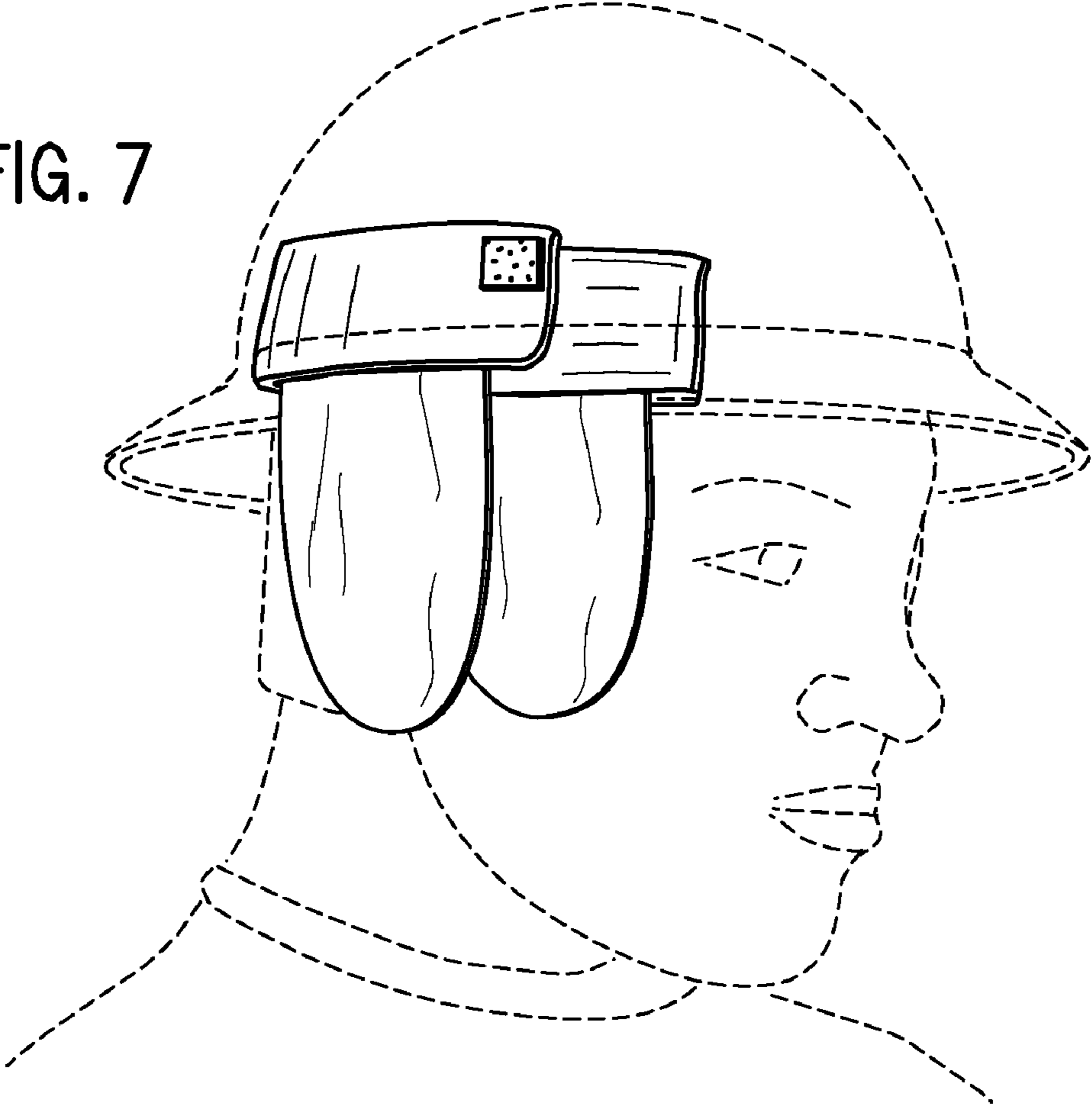


FIG. 8

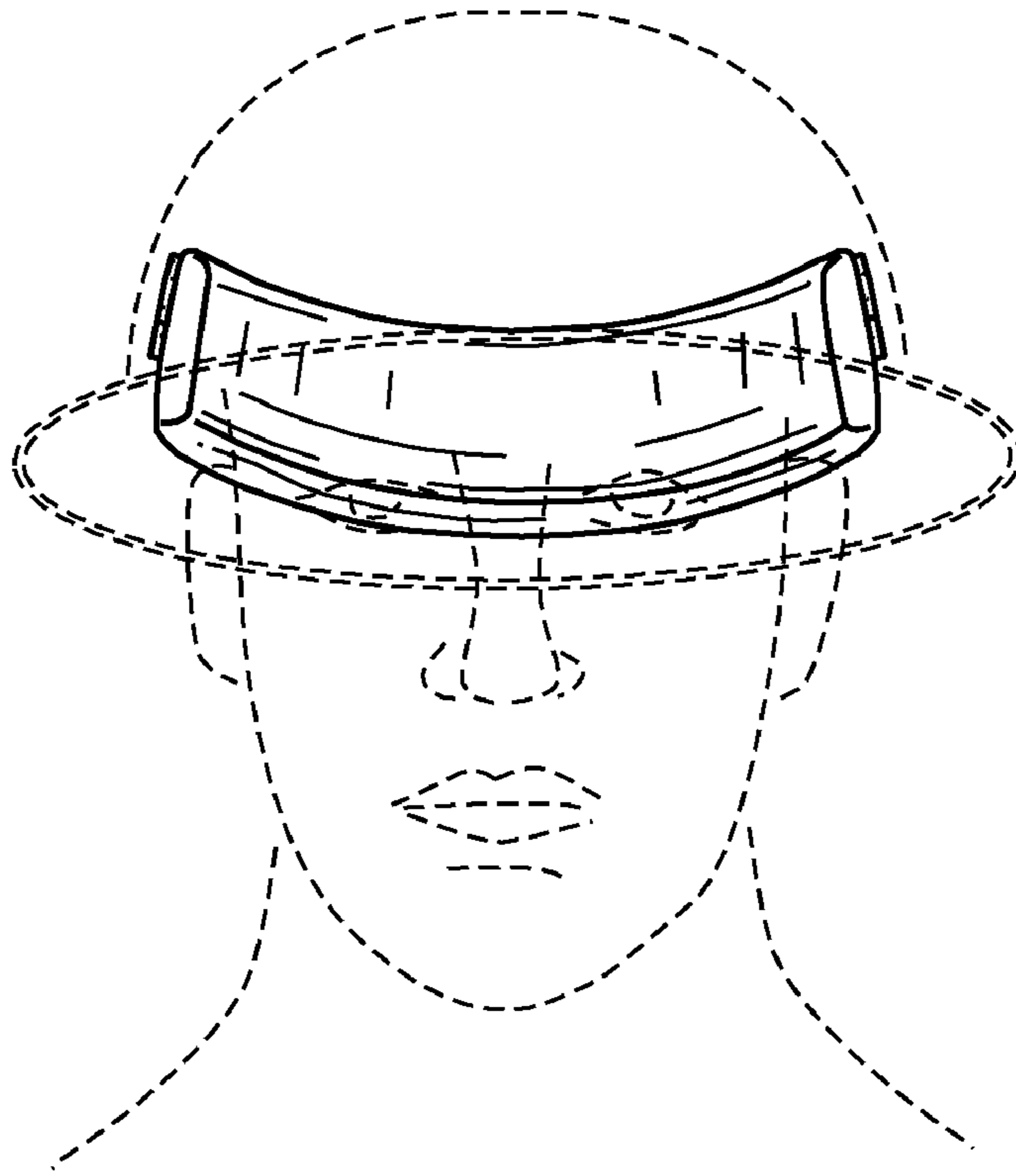
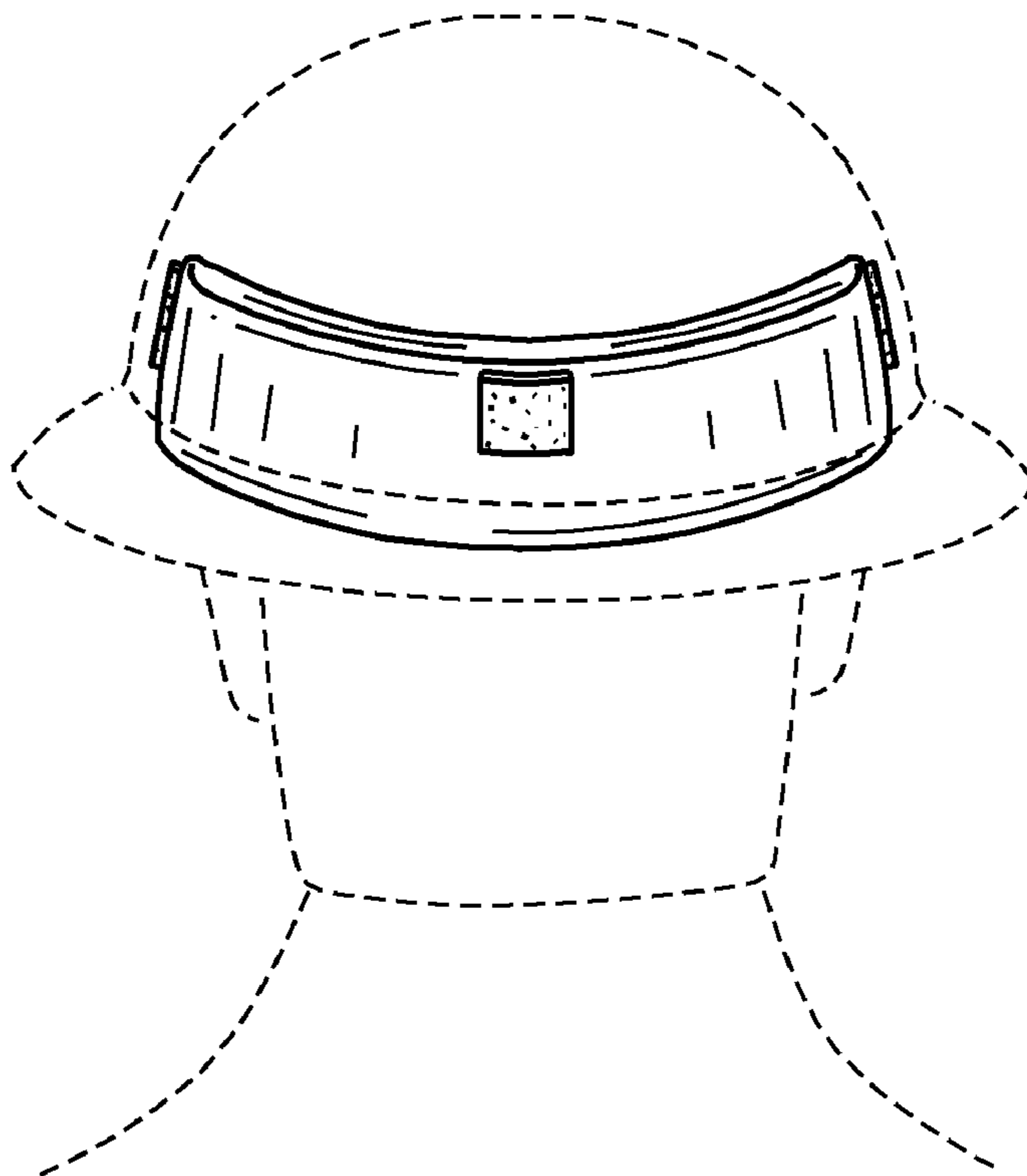


FIG. 9





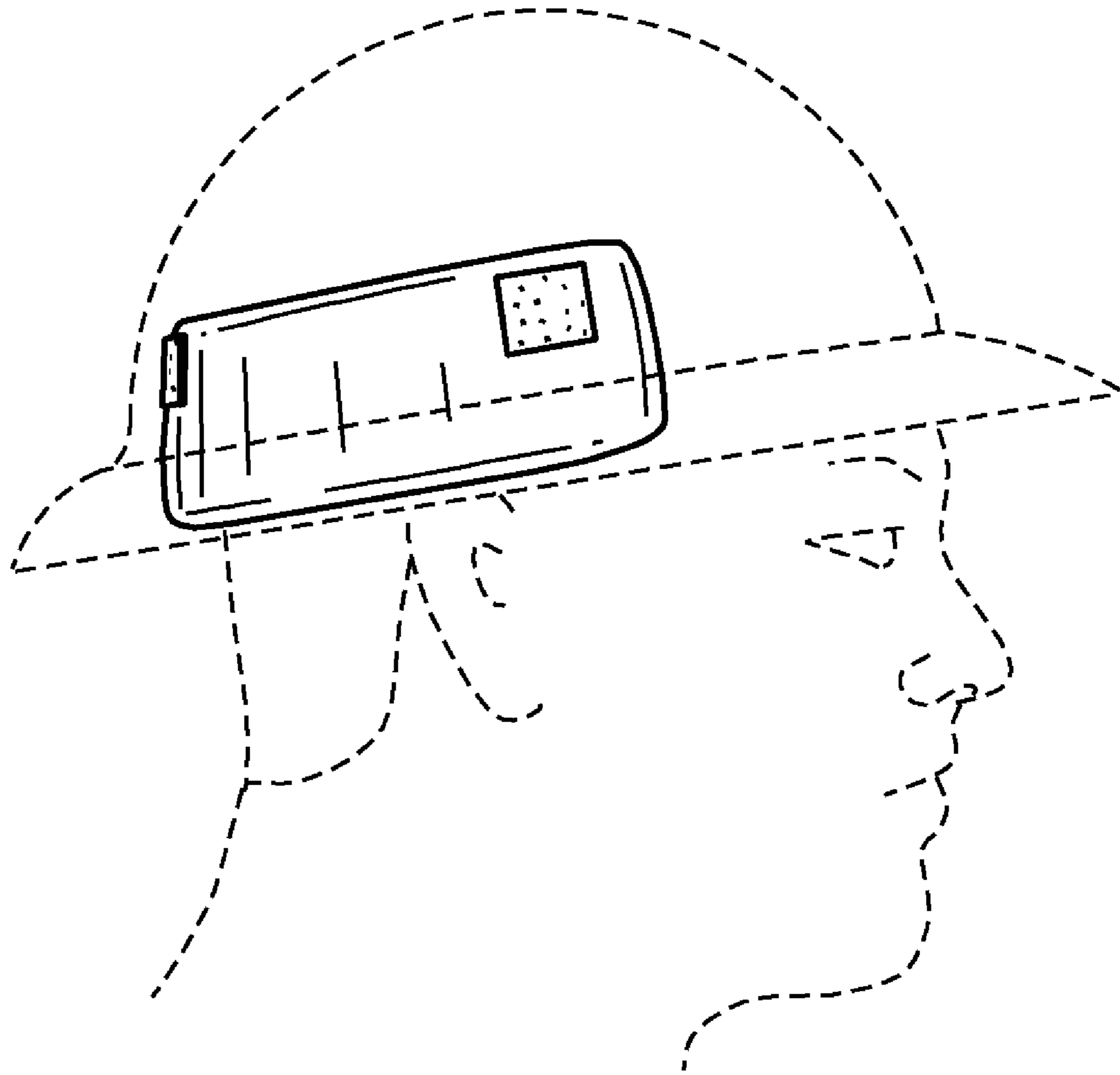


FIG. 10

FIG. 11

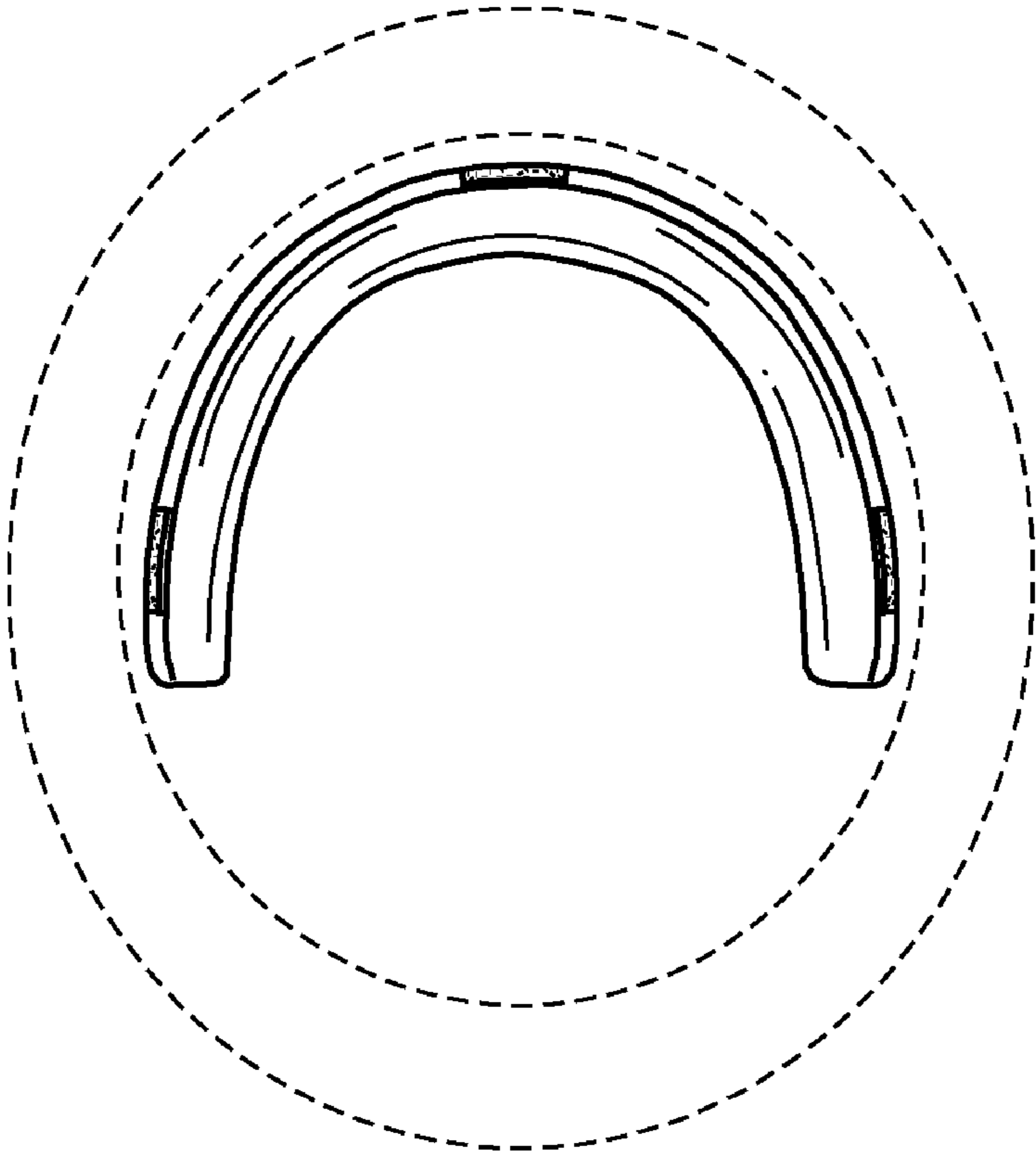


FIG. 12

