



US00D643156S

(12) **United States Design Patent**  
**Harris**

(10) **Patent No.:** **US D643,156 S**

(45) **Date of Patent:** **\*\* Aug. 9, 2011**

(54) **KNEE PAD ASSEMBLY**

(75) Inventor: **William Weaver Harris**, Chicago, IL (US)

(73) Assignee: **Drifire, LLC**, Columbus, GA (US)

(\*\*) Term: **14 Years**

(21) Appl. No.: **29/369,480**

(22) Filed: **Sep. 9, 2010**

(51) **LOC (9) Cl.** ..... **29-02**

(52) **U.S. Cl.** ..... **D29/120.1**

(58) **Field of Classification Search** ..... D29/100,  
D29/101.1, 101.2, 101.3, 101.4, 101.5, 120.1,  
D29/120.2, 121.1, 121.2, 122; D2/858; D24/189,  
D24/190; 2/16, 20-24, 62, 267, 455, 459,  
2/461-468, 910, 911; 602/3, 5, 6, 16, 23,  
602/26

See application file for complete search history.

(56) **References Cited**

**U.S. PATENT DOCUMENTS**

2,785,407	A *	3/1957	Reeder	.....	2/22
D264,140	S *	5/1982	Jenkins	.....	D29/120.1
5,477,559	A *	12/1995	Clement	.....	2/22
5,853,863	A	12/1998	Kim		
5,906,873	A	5/1999	Kim		
6,159,590	A	12/2000	Kim		
6,237,149	B1 *	5/2001	MacDonald	.....	2/22
D501,690	S *	2/2005	Chen	.....	D29/120.1
D501,927	S *	2/2005	McCormick et al.	.....	D24/190
6,962,739	B1	11/2005	Kim et al.		
7,018,692	B2	3/2006	Kim et al.		
D588,753	S *	3/2009	Ingimundarson et al.	.....	D29/121.1
D595,016	S *	6/2009	Menegon	.....	D30/146
D602,210	S	10/2009	Crye		
7,636,948	B1	12/2009	Crye et al.		
D618,401	S *	6/2010	Menegon	.....	D30/146
7,757,310	B2 *	7/2010	Wong	.....	2/466

**OTHER PUBLICATIONS**

[http://www.superfabric.com/pages/patents\\_legal.htm](http://www.superfabric.com/pages/patents_legal.htm), SuperFabric, 2pp., Sep. 10, 2010.

<http://www.cryeprecision.com/P-APRCP40232R/Combat-Pants-Ac>, Combat Pants AC, 1p., Sep. 10, 2010.

<http://www.militarymorons.com/gear/crye2.html>, Crye Precision "Gen 2" Combat Shirt and Pant AC, 10 pp., Sep. 10, 2010.

\* cited by examiner

*Primary Examiner* — Raphael Barkai

*Assistant Examiner* — Randall Gholson

(74) *Attorney, Agent, or Firm* — Kilpatrick Townsend & Stockton LLP

(57) **CLAIM**

The ornamental design for a knee pad assembly, as shown.

**DESCRIPTION**

FIG. 1 is a perspective view of the knee pad assembly showing my new design;

FIG. 2 is a front elevational view thereof;

FIG. 3 is a rear elevational view thereof;

FIG. 4 is a left side elevational view thereof;

FIG. 5 is a right side elevational view thereof;

FIG. 6 is a top plan view thereof;

FIG. 7 is a bottom plan view thereof;

FIG. 8 is a perspective view of the knee pad assembly prior to insertion of the knee pad;

FIG. 9 is a perspective view of the knee pad showing my new design;

FIG. 10 is a left side elevational view thereof;

FIG. 11 is a right side elevational view thereof;

FIG. 12 is a front elevational view thereof;

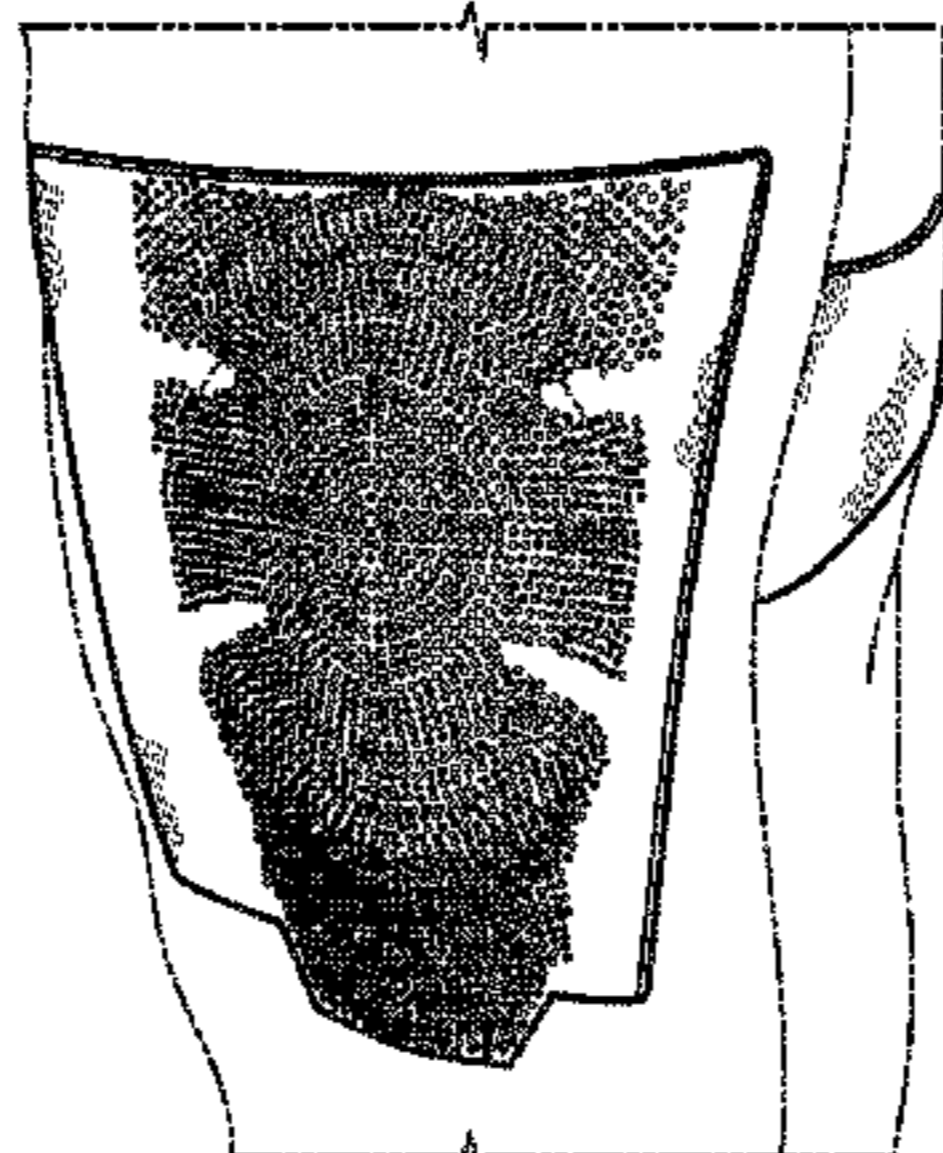
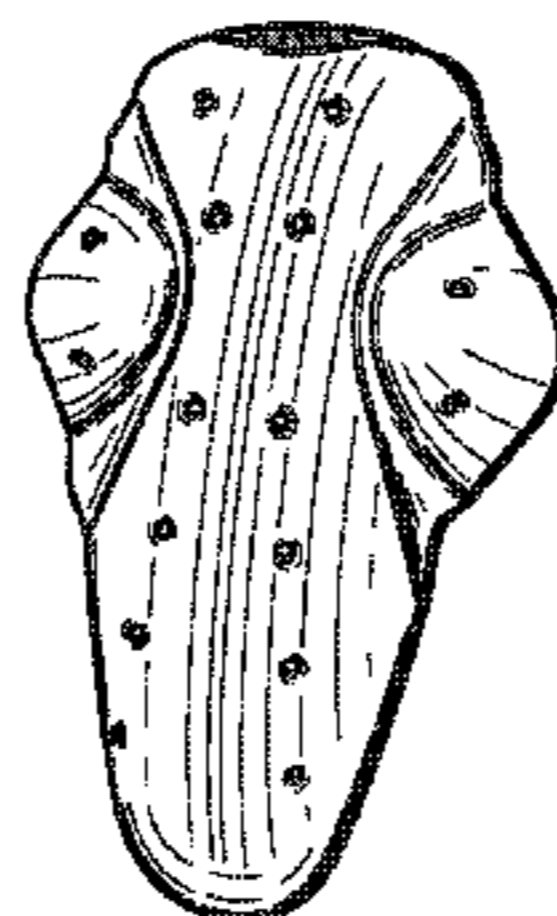
FIG. 13 is a rear elevational view thereof;

FIG. 14 is a top plan view thereof; and,

FIG. 15 is a bottom plan view thereof.

The broken line illustration symbolizing stitching as well as the remainder of the broken lines on the surface of the design, illustrate portions of the design that form no part of the claim. The protective pad is shown separately in FIGS. 8-15 for ease of illustration.

**1 Claim, 6 Drawing Sheets**



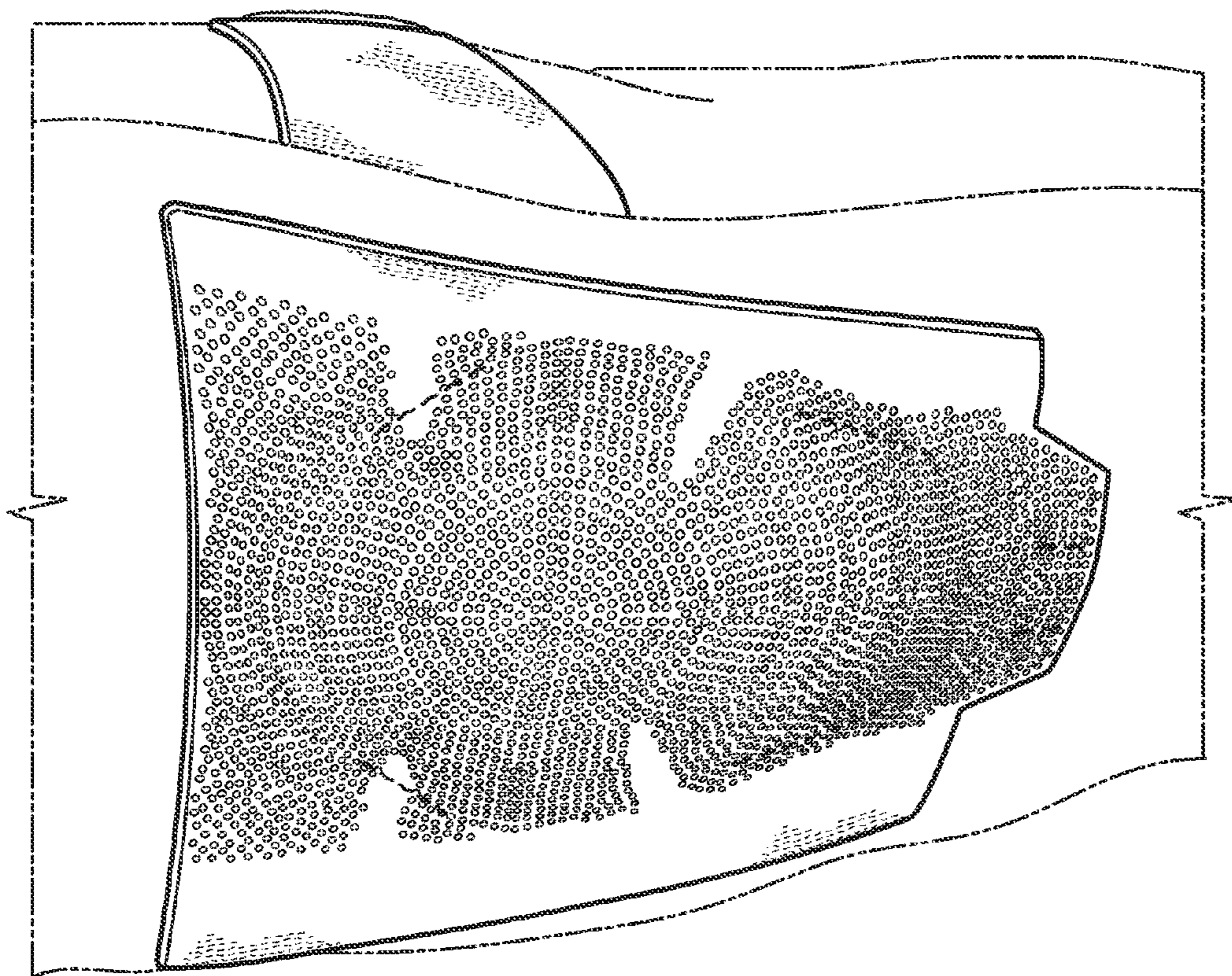


FIG. 1

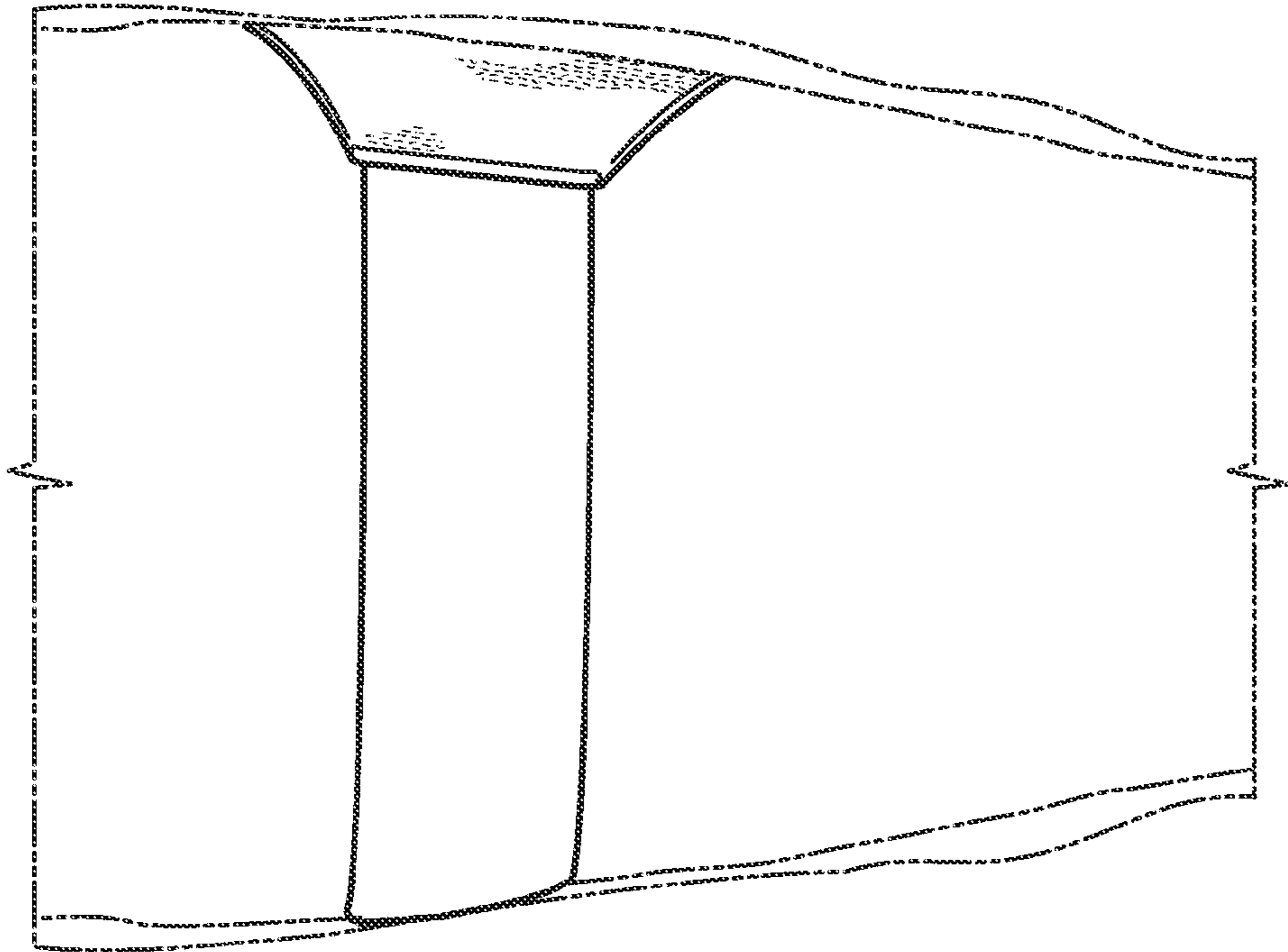


FIG. 3

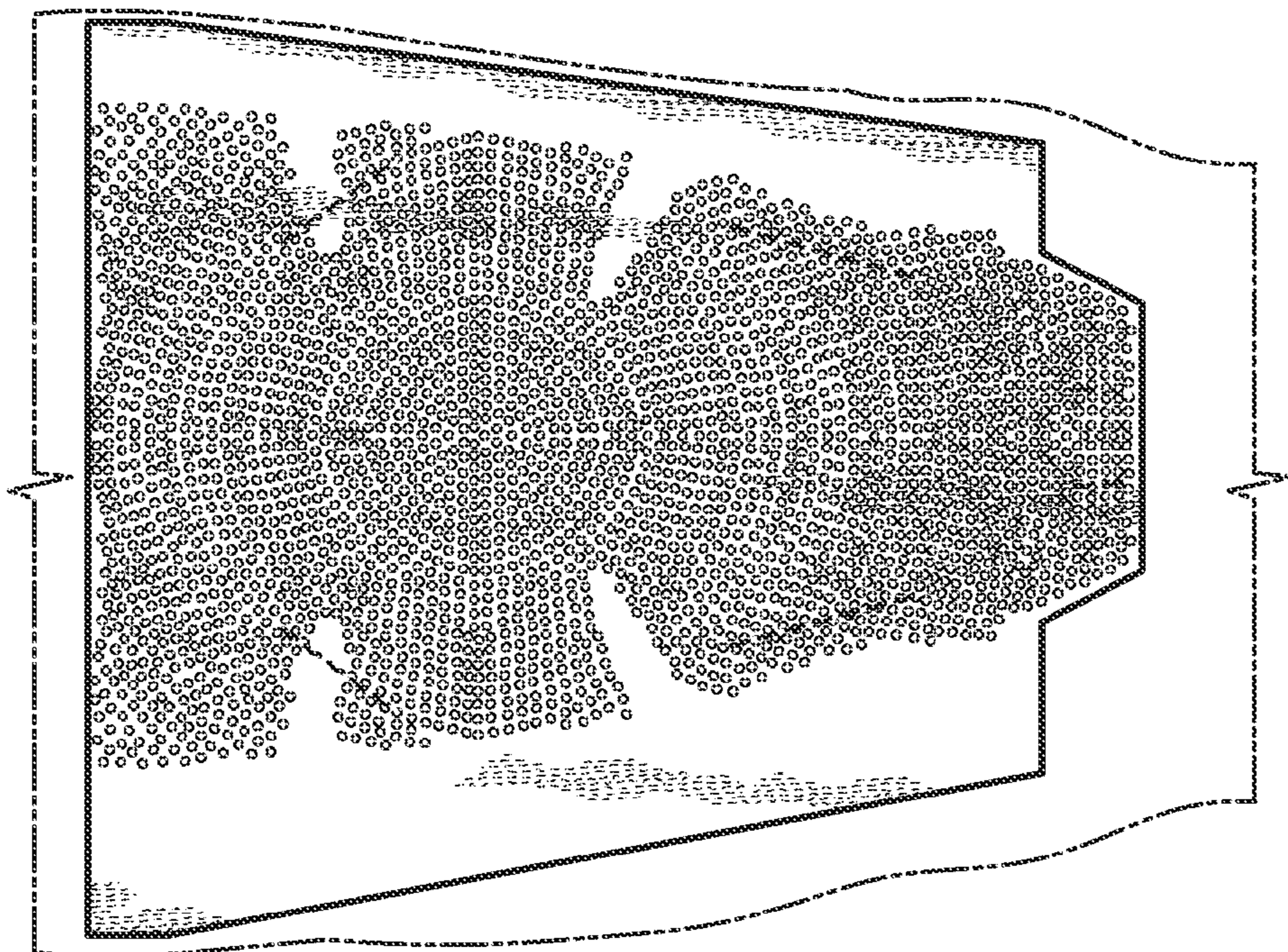


FIG. 2

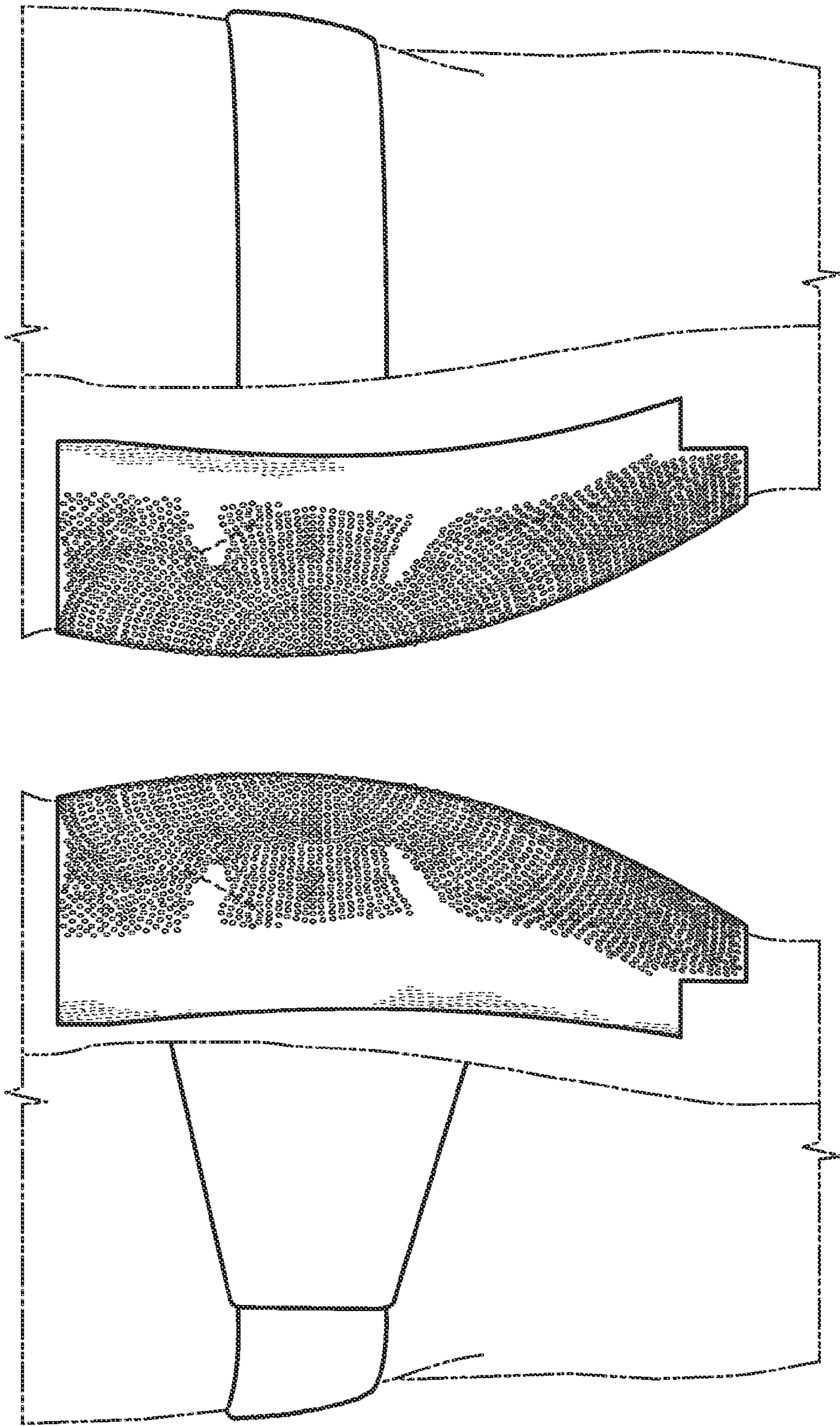


FIG. 5

FIG. 4

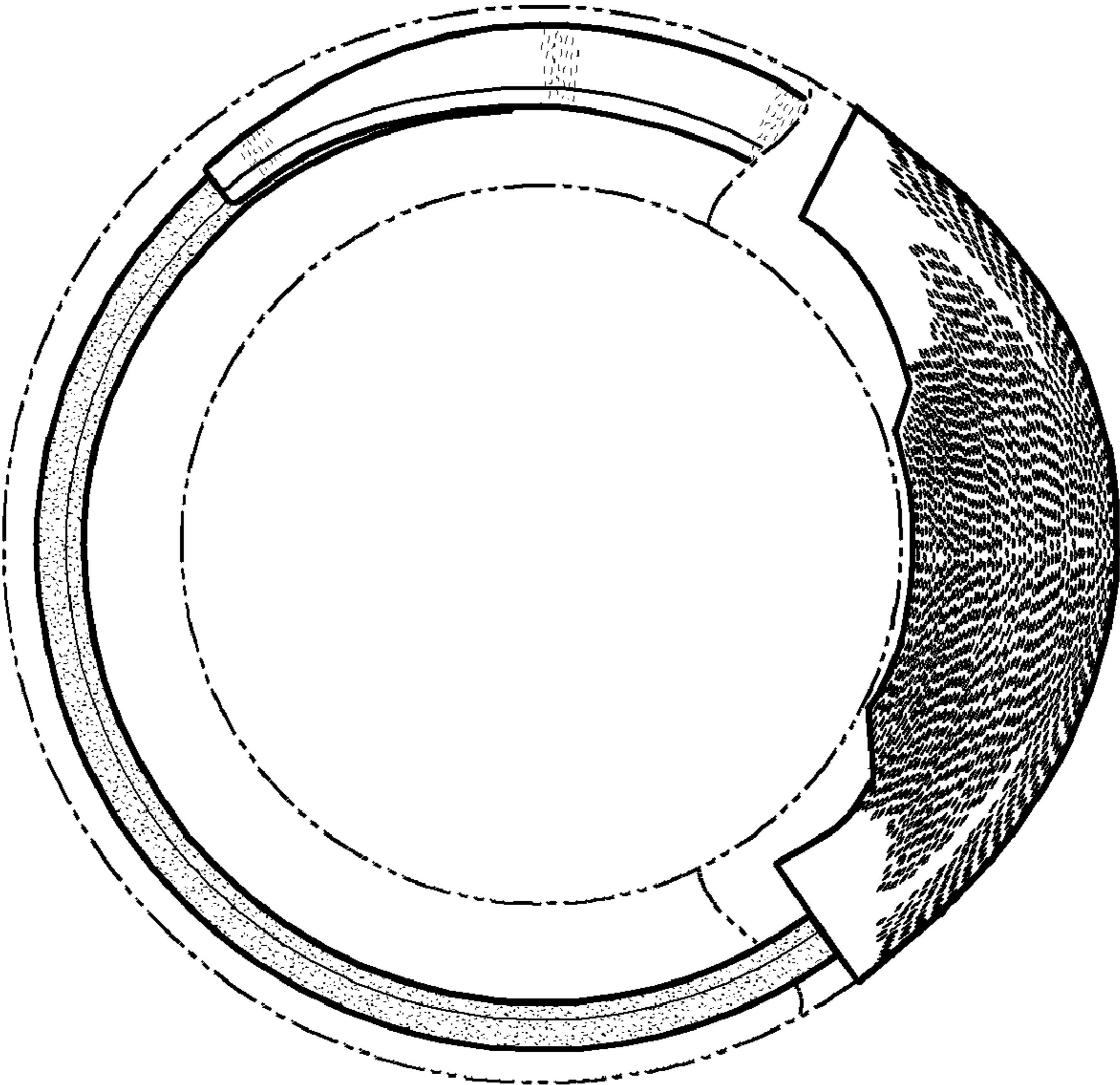


FIG. 7

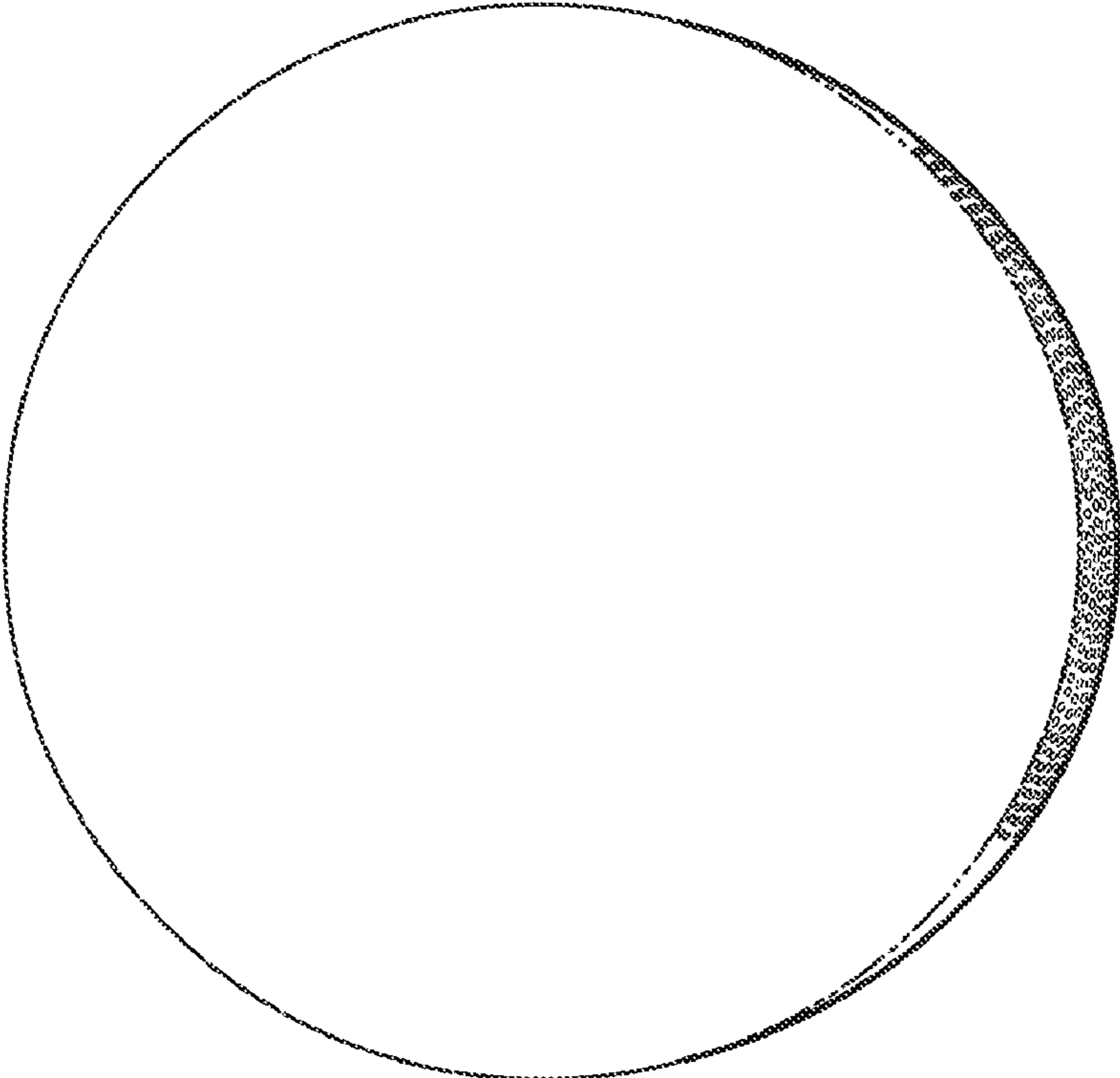


FIG. 6

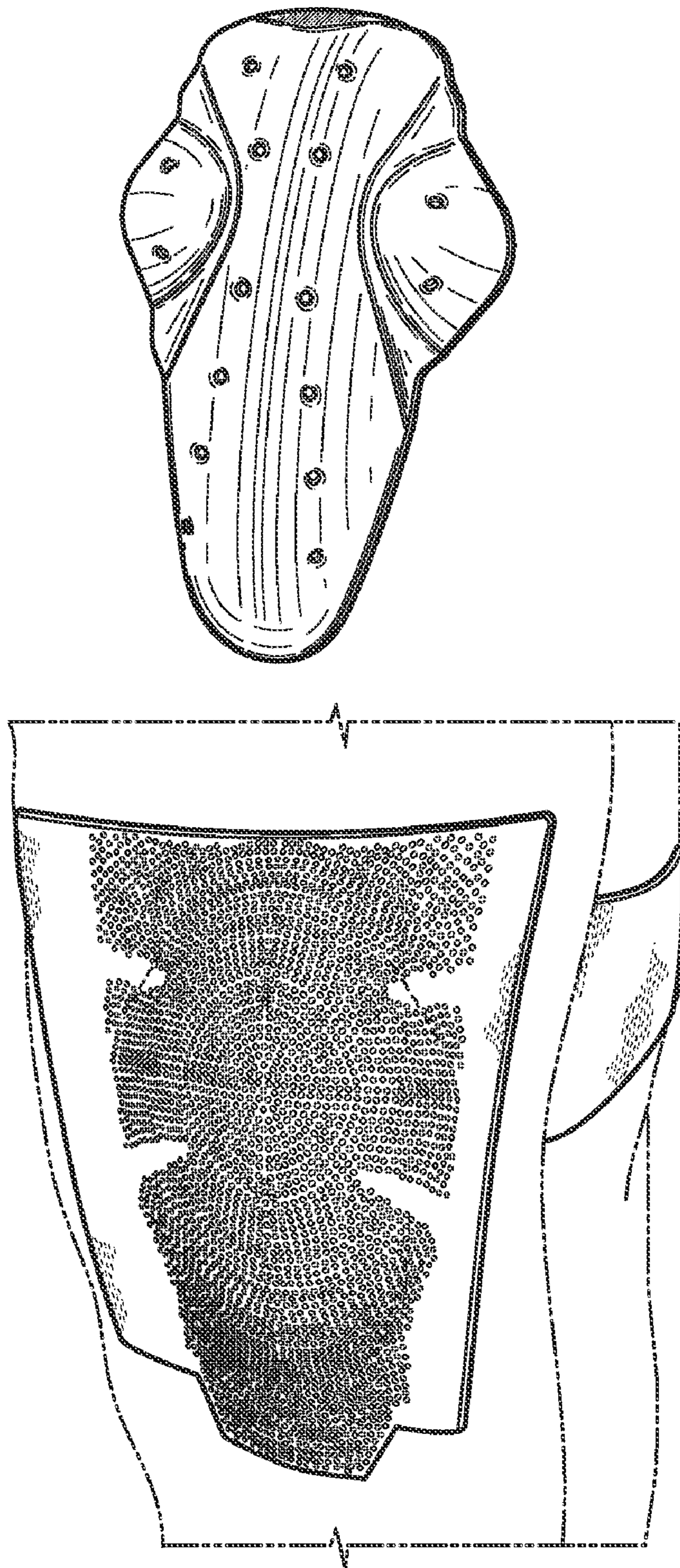


FIG. 8

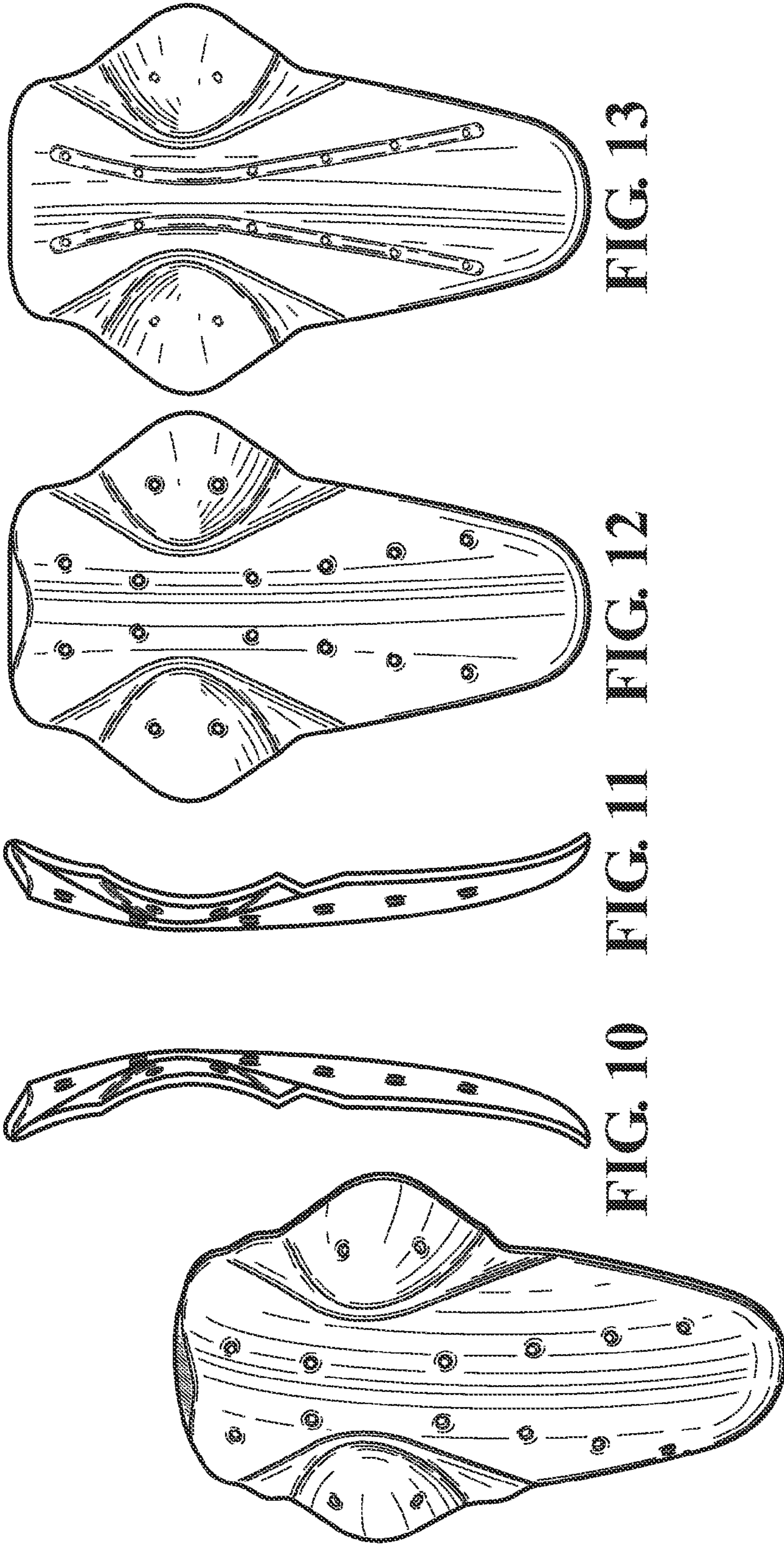


FIG. 10 FIG. 11 FIG. 12 FIG. 13

FIG. 9

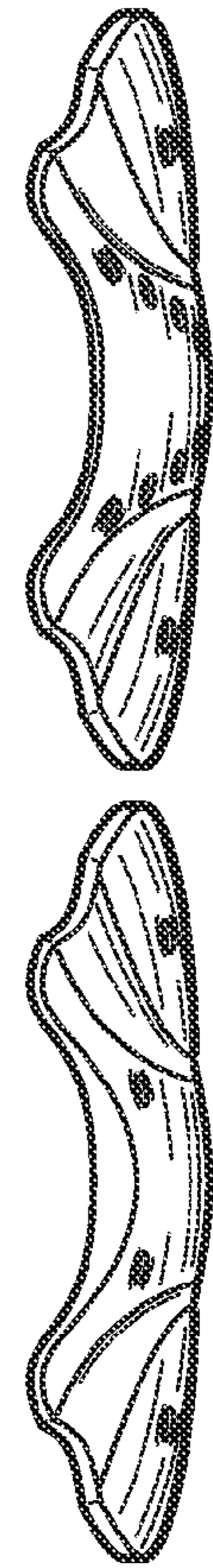


FIG. 14 FIG. 15