

US00D643155S

(12) **United States Design Patent**  
**Ohmoto et al.**

(10) **Patent No.:** **US D643,155 S**  
(45) **Date of Patent:** **\*\* Aug. 9, 2011**

(54) **COSMETIC CONTAINER**

(75) Inventors: **Miwa Ohmoto**, Kobe (JP); **Kazuhiro Yamada**, Ashiya (JP); **Sayaka Ikoma**, Ashiya (JP); **Murphy (Greene)**, Mongeon, Baltimore, MD (US); **Fumie Shibata**, Tokyo (JP)

(73) Assignee: **The Procter & Gamble Company**, Cincinnati, OH (US)

(\*\*) Term: **14 Years**

(21) Appl. No.: **29/389,441**

(22) Filed: **Apr. 12, 2011**

**Related U.S. Application Data**

(62) Division of application No. 29/375,667, filed on Sep. 25, 2010, now Pat. No. Des. 638,582, which is a division of application No. 29/315,690, filed on Jul. 15, 2009, now Pat. No. Des. 626,290.

(51) **LOC (9) Cl.** ..... **28-03**

(52) **U.S. Cl.** ..... **D28/83**

(58) **Field of Classification Search** ..... D28/76-84;  
D9/500, 503-505, 414, 418, 420-423, 428;  
206/581, 823; 132/286-318

See application file for complete search history.

(56) **References Cited**

U.S. PATENT DOCUMENTS

D340,541	S	*	10/1993	Chen	.....	D28/83
D429,070	S	*	8/2000	Marshall	.....	D9/420
D517,245	S	*	3/2006	Ditrichstein et al.	.....	D28/83
D526,192	S	*	8/2006	Post	.....	D9/420
D552,797	S	*	10/2007	Kuethe et al.	.....	D28/83
D596,354	S	*	7/2009	Yamamoto	.....	D28/83
D601,757	S	*	10/2009	Sagel	.....	D28/83
D603,564	S	*	11/2009	Liden	.....	D28/83
D626,290	S	*	10/2010	Ohmoto et al.	.....	D28/83
2008/0289645	A1	*	11/2008	Guillot	.....	132/200

\* cited by examiner

*Primary Examiner* — Jennifer Rivard

(74) *Attorney, Agent, or Firm* — John G. Powell

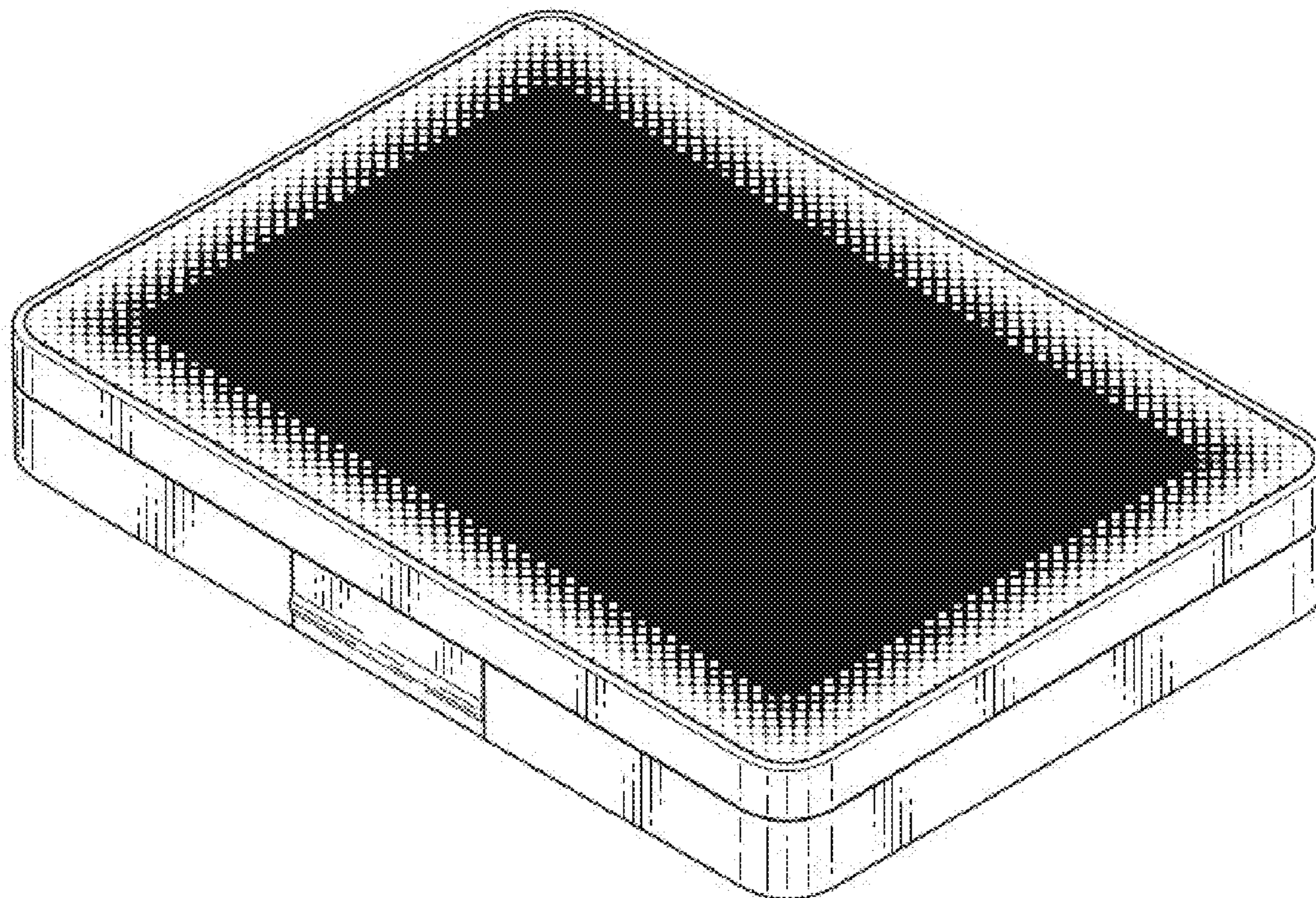
(57) **CLAIM**

We claim the ornamental design for a cosmetic container, as shown and described.

**DESCRIPTION**

FIG. 1 is a perspective view of a cosmetic container, embodying our new design;  
FIG. 2 is a front view thereof;  
FIG. 3 is a back view thereof;  
FIG. 4 is a side view thereof, the opposite side view being a mirror image;  
FIG. 5 is a top plan view thereof;  
FIG. 6 is a bottom plan view thereof;  
FIG. 7 is a cross sectional view taken along line 7-7 in FIG. 2; and,  
FIG. 8 is a perspective view thereof in an open position.

**1 Claim, 4 Drawing Sheets**



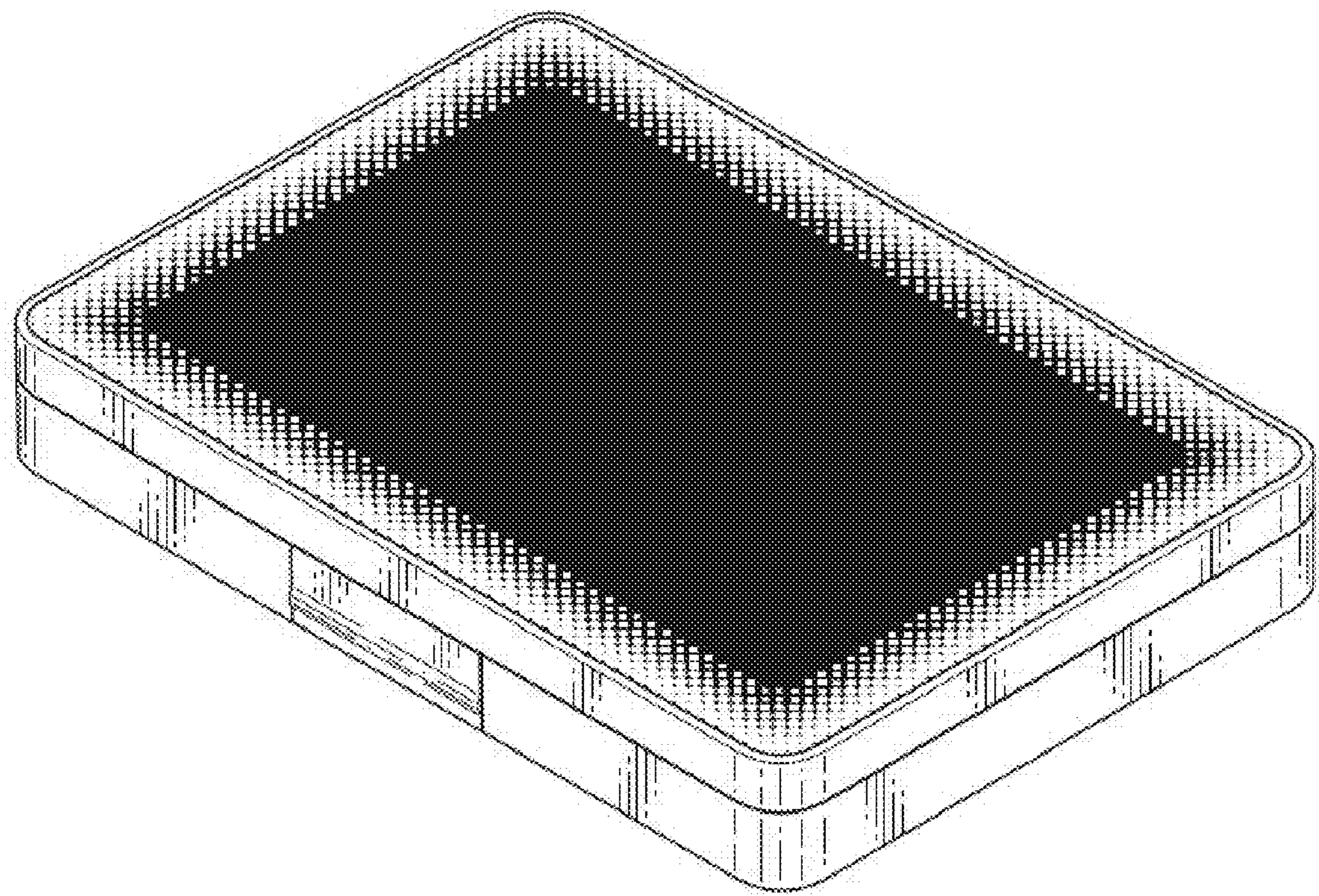


Fig. 1

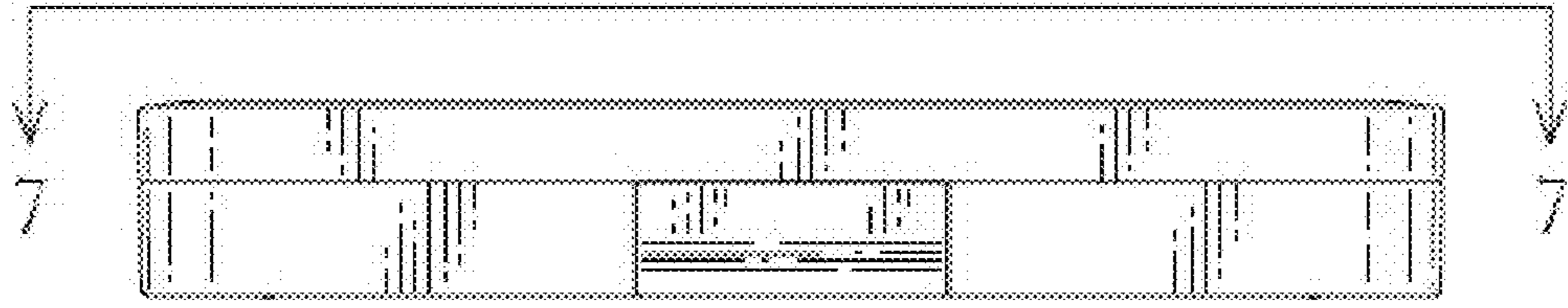


Fig. 2

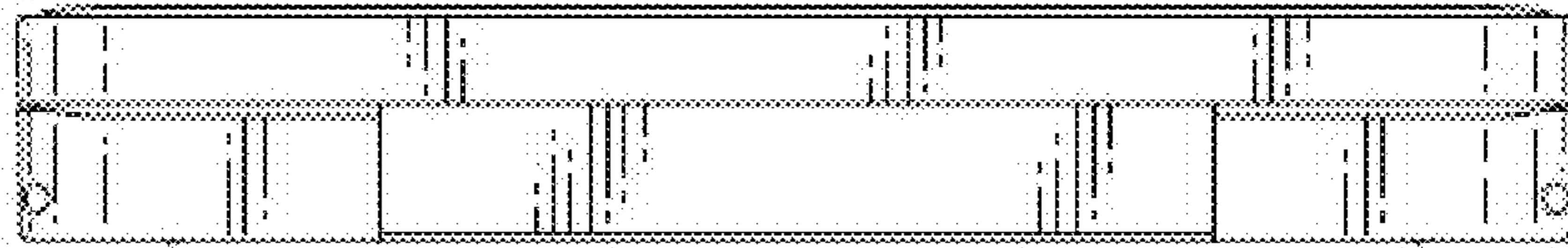


Fig. 3

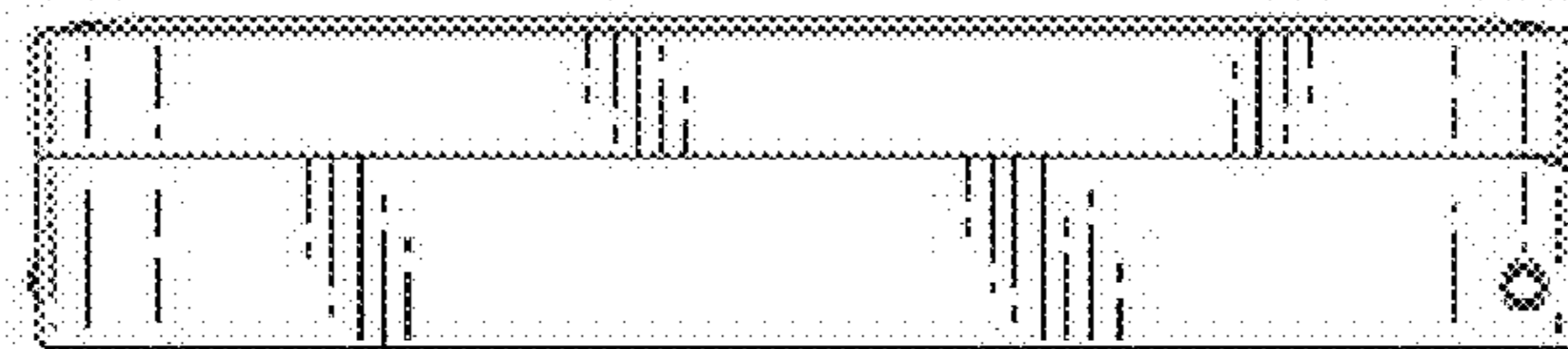


Fig. 4



Fig. 5

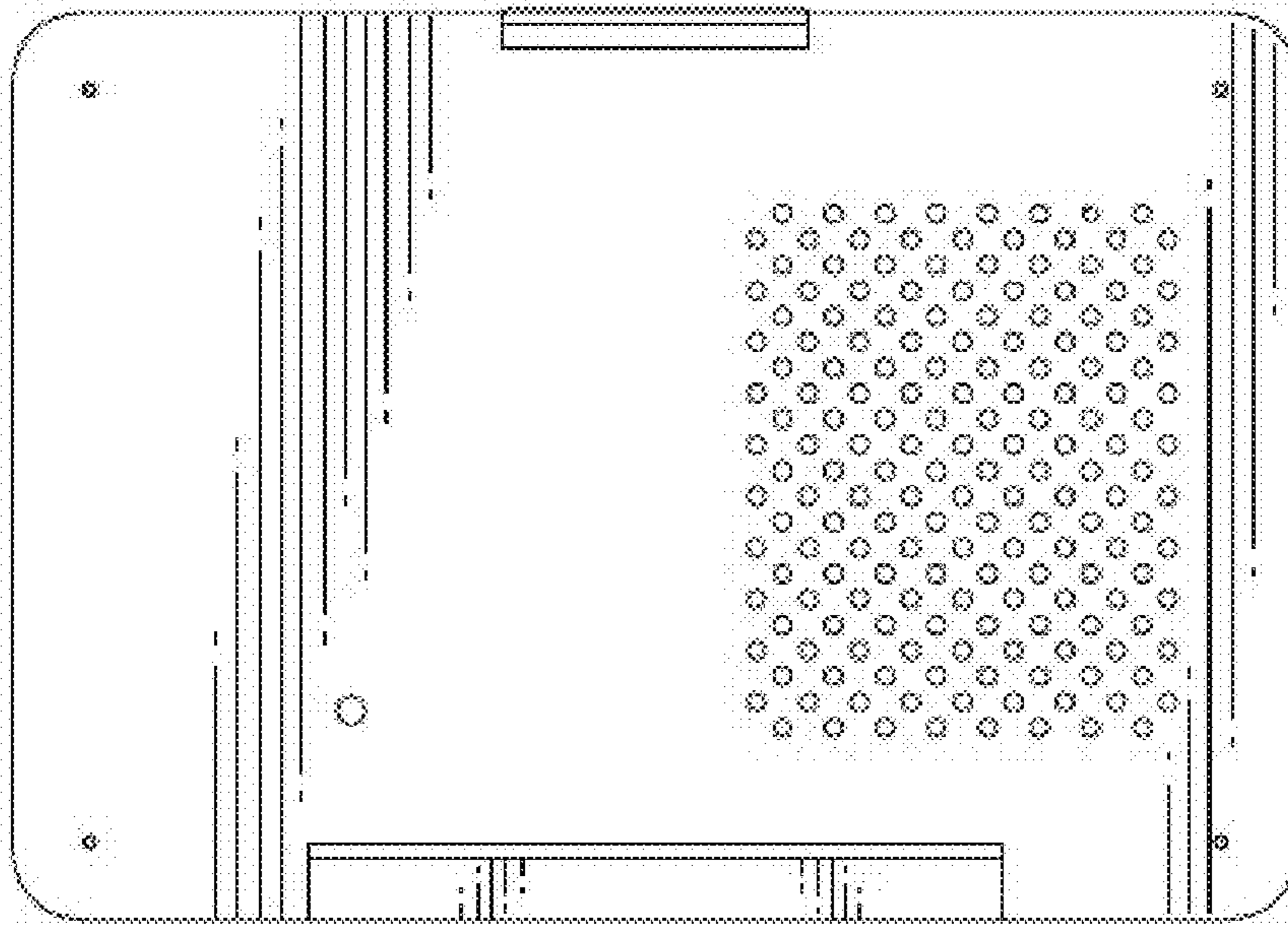


Fig. 6

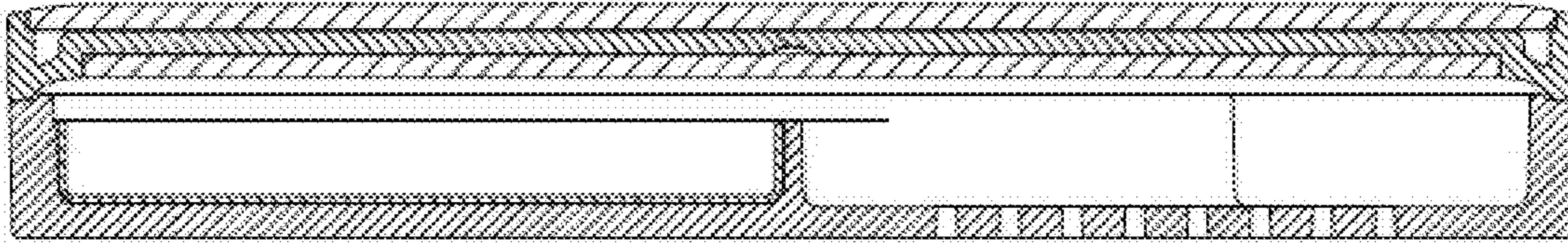


Fig. 7

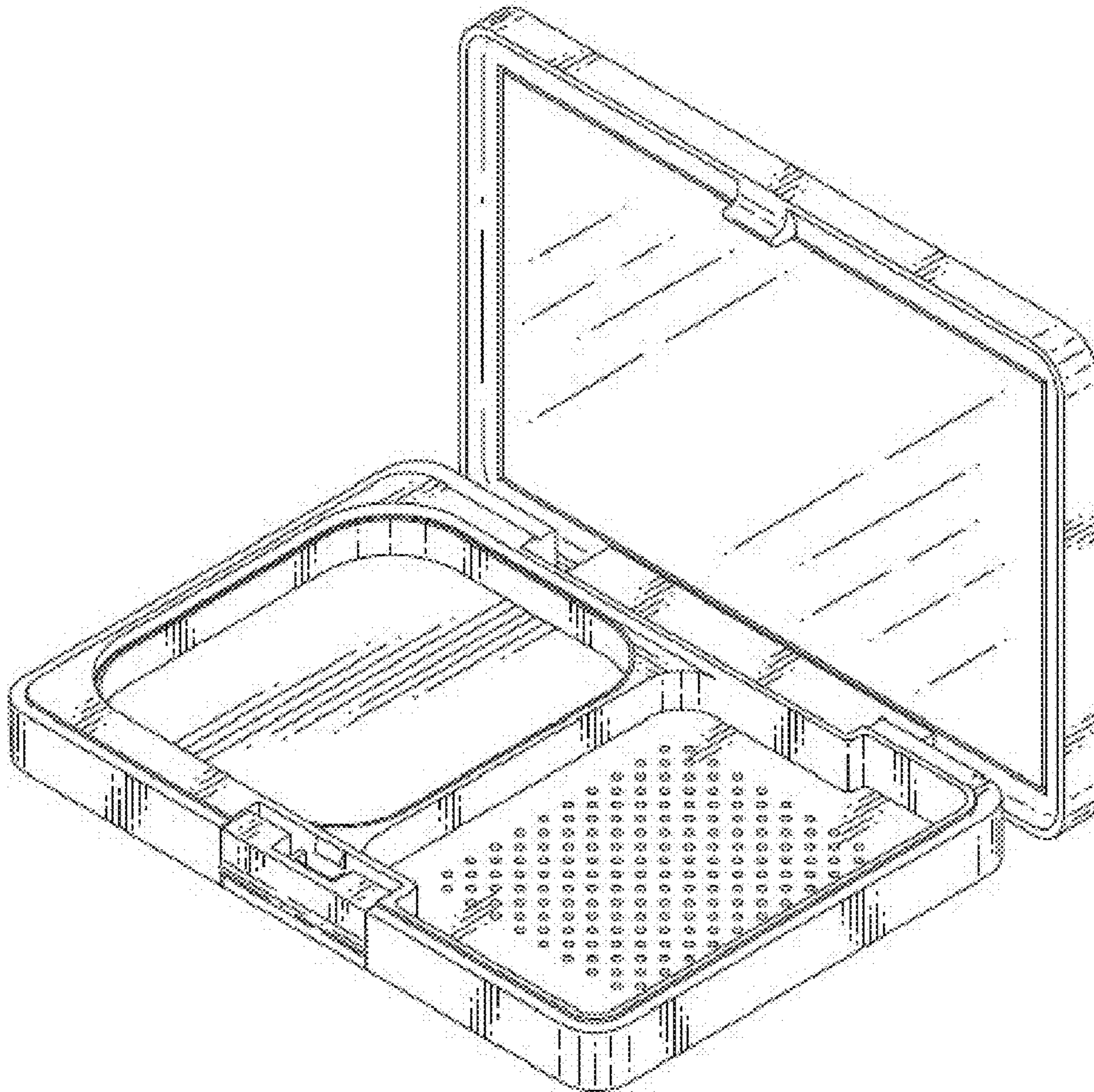


Fig. 8