



US00D643154S

(12) **United States Design Patent**  
**Dumala**

(10) **Patent No.:** **US D643,154 S**

(45) **Date of Patent:** **\*\* Aug. 9, 2011**

(54) **HAIR CLIP HOLDER**

(76) Inventor: **Melena Dumala**, Andover, MN (US)

(\*\*) Term: **14 Years**

(21) Appl. No.: **29/375,293**

(22) Filed: **Sep. 20, 2010**

(51) **LOC (9) Cl.** ..... **28-03**

(52) **U.S. Cl.** ..... **D28/75**

(58) **Field of Classification Search** ..... D28/60,  
D28/62, 55, 56, 57, 58, 73, 75, 76, 77, 78,  
D28/81, 44; D3/203.1, 203.5, 301, 299,  
D3/300, 206, 205, 293; 206/349, 154; 30/28,  
30/29; 132/75.5, 233

See application file for complete search history.

(56) **References Cited**

**U.S. PATENT DOCUMENTS**

D152,947 S	3/1949	Dobbs et al.	
D166,259 S	3/1952	Knee	
D223,644 S	5/1972	Croon	
3,749,233 A *	7/1973	McCormick, Jr.	206/373
4,401,219 A *	8/1983	Mink	206/566
4,478,333 A *	10/1984	Dalbo et al.	206/380
4,735,246 A *	4/1988	Niehaus	206/6.1
D296,616 S	7/1988	Pangburn	
4,760,920 A *	8/1988	Thomsen	206/495
D306,656 S	3/1990	Rust	
D321,789 S *	11/1991	Martorella	D3/293
D332,697 S *	1/1993	Schildkraut	D3/303
D348,542 S *	7/1994	Cannella	D28/38
D393,947 S *	5/1998	Alves et al.	D3/303
D400,705 S	11/1998	Akutsu	
D401,092 S *	11/1998	Patel	D6/525
6,068,122 A *	5/2000	Burns et al.	206/372
6,070,729 A *	6/2000	Barnes	206/581
D466,686 S *	12/2002	Brookhouse	D3/206
D473,715 S *	4/2003	Moldovan	D3/299
D476,811 S *	7/2003	Brookhouse	D3/299
D526,118 S *	8/2006	Foote	D3/203.1
D536,524 S	2/2007	Takeuchi	
D572,475 S	7/2008	Tuttle	

D593,321 S	6/2009	Wente	
D603,165 S *	11/2009	Losiewicz	D3/299
D604,508 S	11/2009	Ledbetter et al.	
D621,780 S *	8/2010	Ferber et al.	D13/108
7,806,124 B2 *	10/2010	Mackinder	132/233
D631,244 S *	1/2011	Ferrence et al.	D3/205
2004/0222125 A1 *	11/2004	Meing	206/581

\* cited by examiner

*Primary Examiner* — Cathron C. Brooks

*Assistant Examiner* — Kevin Rudzinski

(74) *Attorney, Agent, or Firm* — QuickPatents, Inc.; Kevin Prince

(57) **CLAIM**

What is claimed is the ornamental design for a hair clip holder, as shown and described.

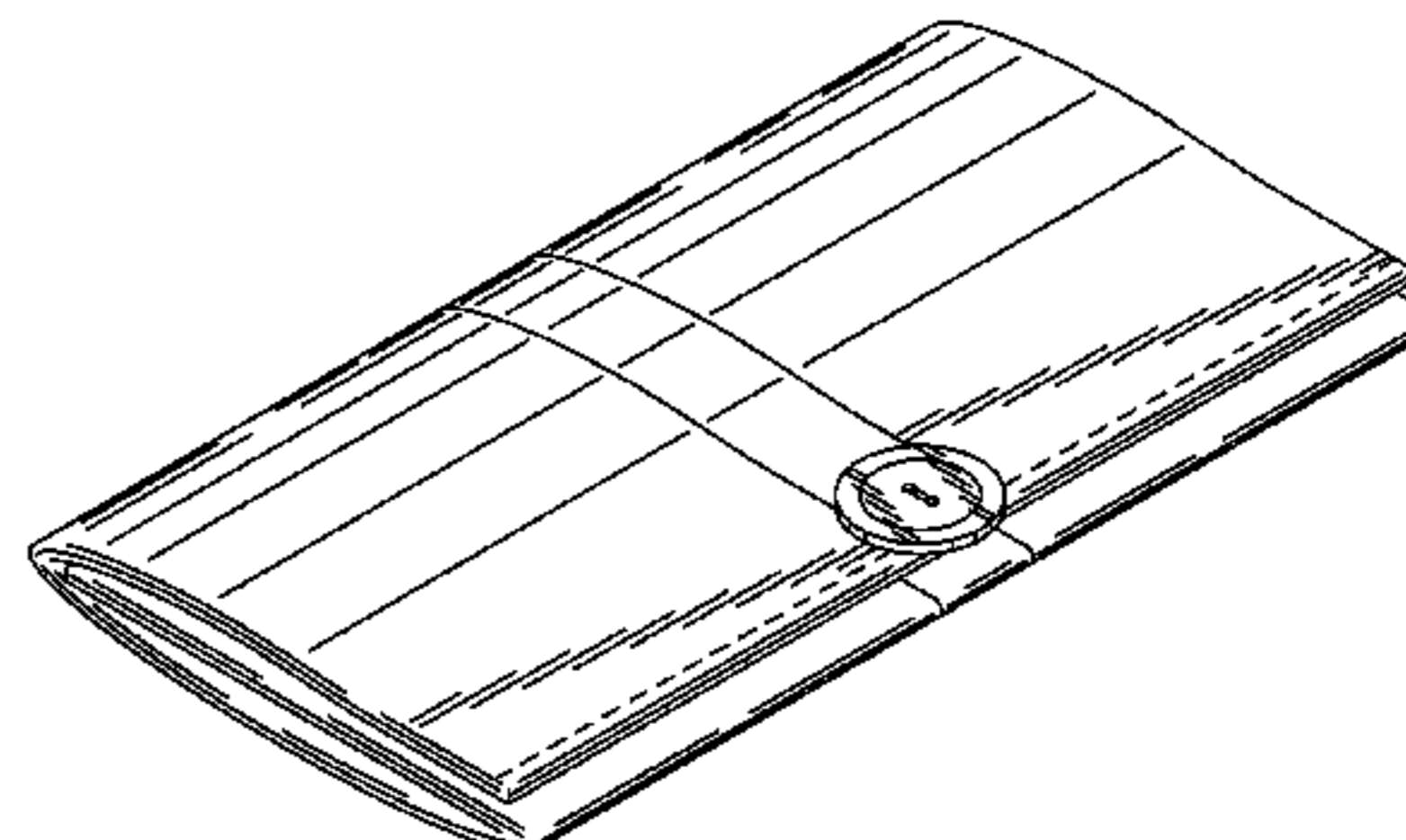
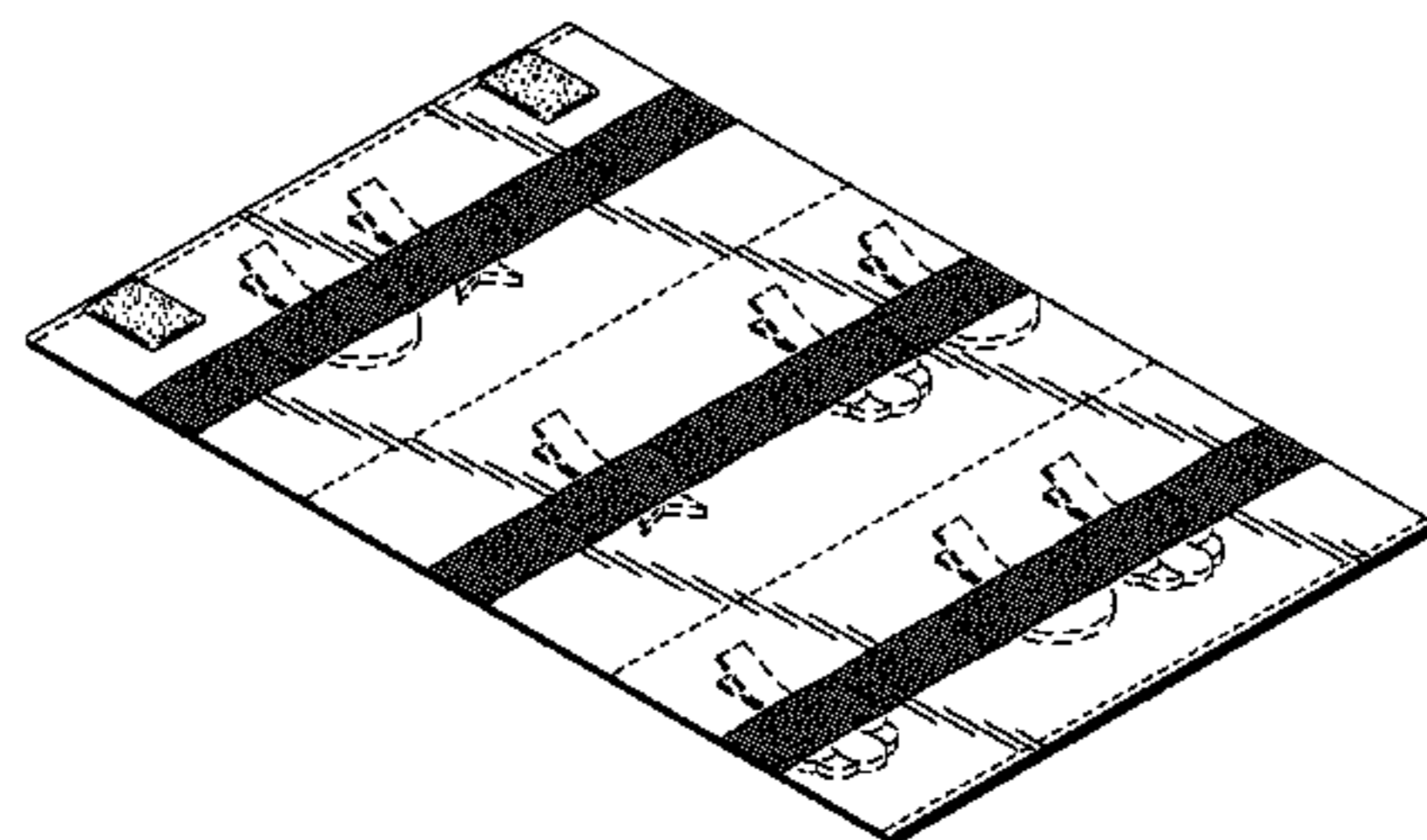
**DESCRIPTION**

FIG. 1 is a perspective view of a hair clip holder, showing the new design in an open position;  
 FIG. 2 is a front elevational view thereof;  
 FIG. 3 is a rear elevational view thereof;  
 FIG. 4 is a left-side elevational view thereof, the right-side elevational view being a mirror image thereof;  
 FIG. 5 is a top plan view thereof;  
 FIG. 6 is a bottom plan view thereof;  
 FIG. 7 is a perspective view thereof in a closed position;  
 FIG. 8 is a front elevational view of FIG. 7;  
 FIG. 9 is a rear elevational view of FIG. 7;  
 FIG. 10 is a right-side elevational view of FIG. 7, the left-side elevational view being a mirror image thereof;  
 FIG. 11 is a top plan view of FIG. 7; and,  
 FIG. 12 is a bottom plan view of FIG. 7.

The broken lines showing hair clips in FIG. 1 are included for the purpose of illustrating the invention in use, and form no part of the claimed design.

The dashed lines shown in FIGS. 1, 5-9 and 11 are shown to indicate stitching and form part of the claimed design.

**1 Claim, 5 Drawing Sheets**



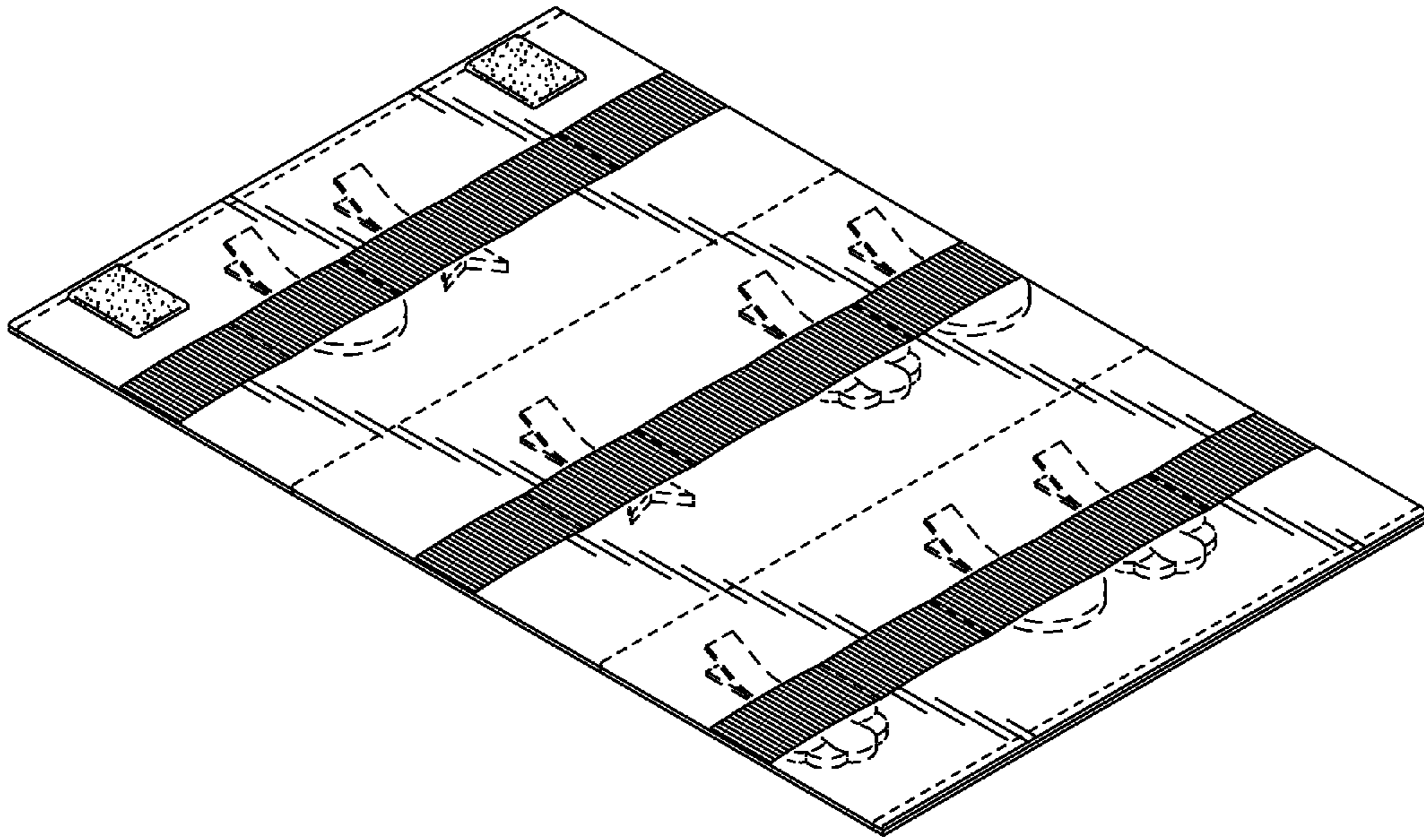


FIG. 1



FIG. 2

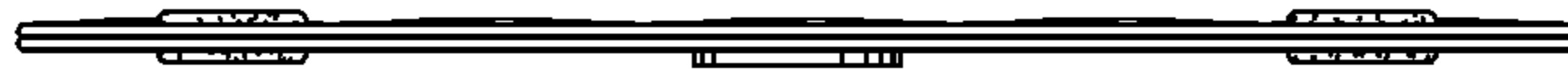


FIG. 3



FIG. 4

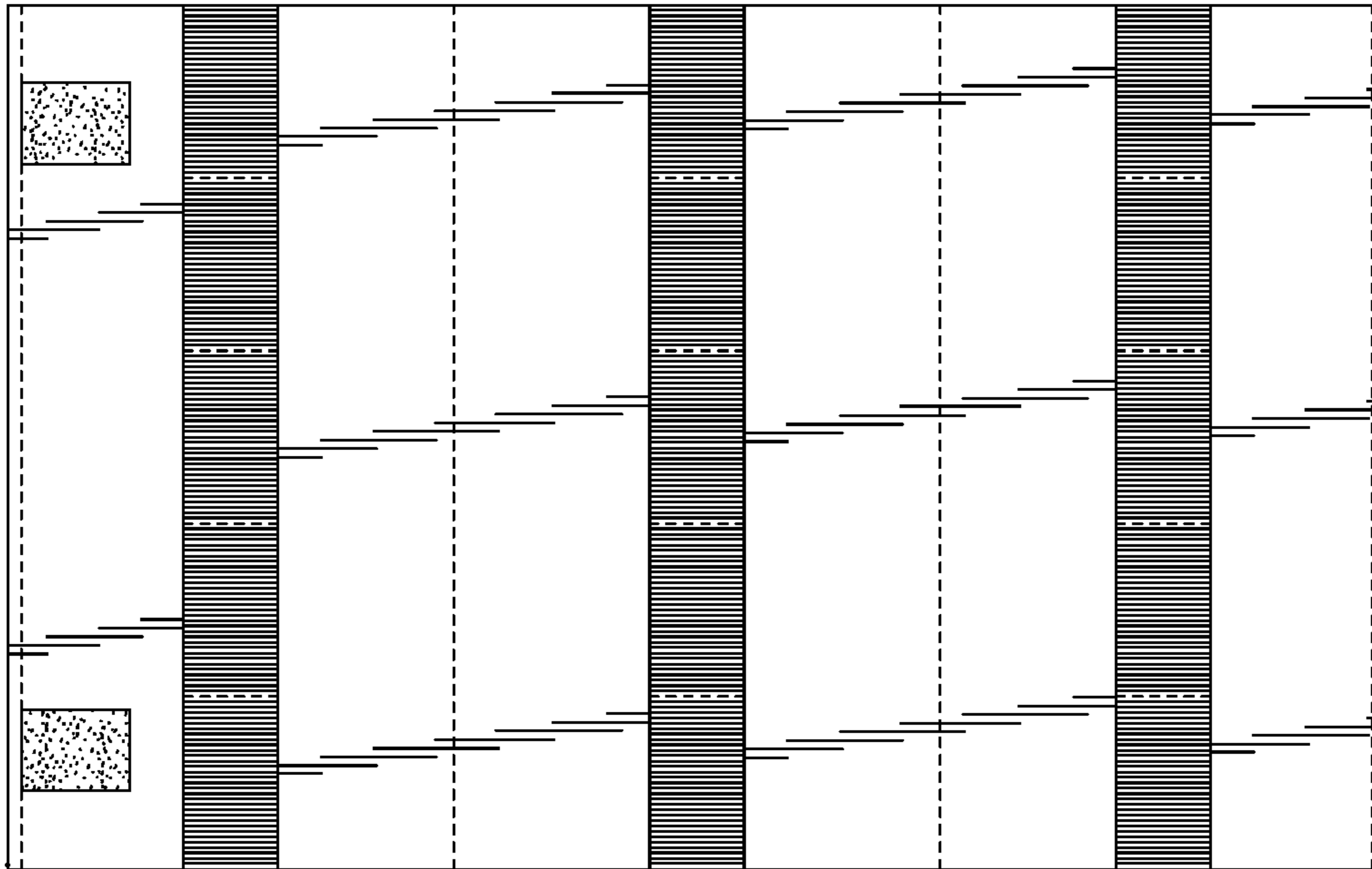


FIG. 5

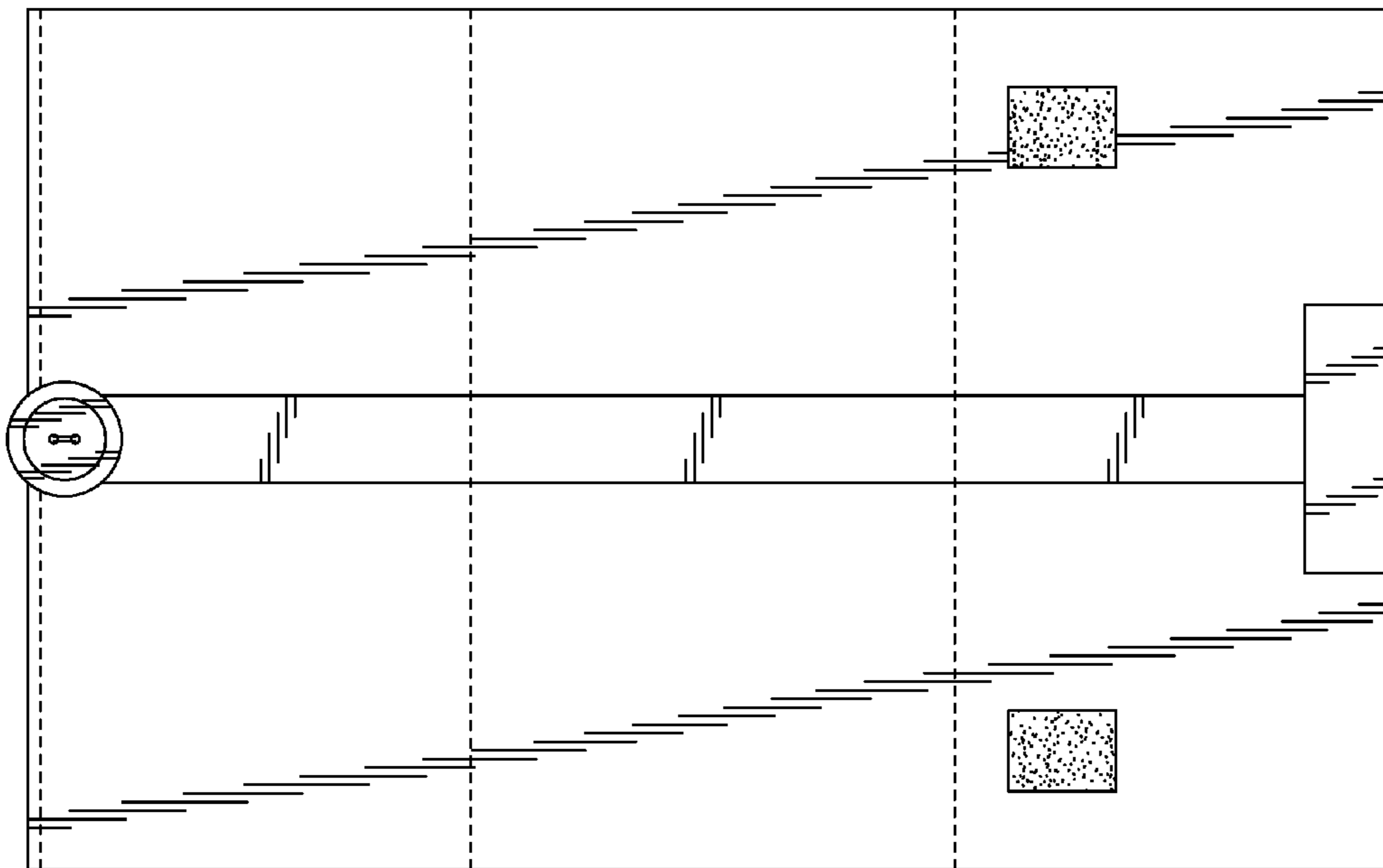


FIG. 6

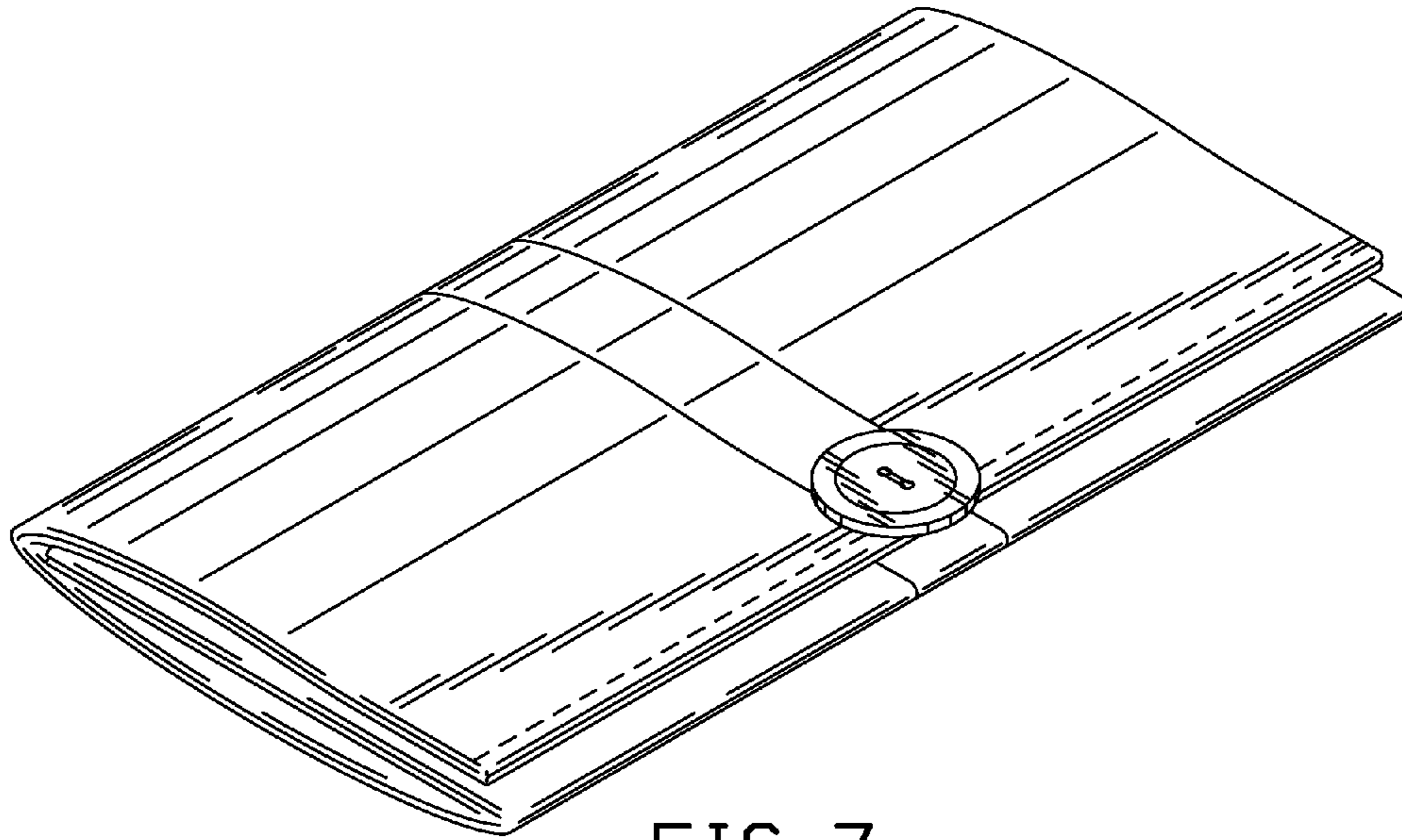


FIG. 7

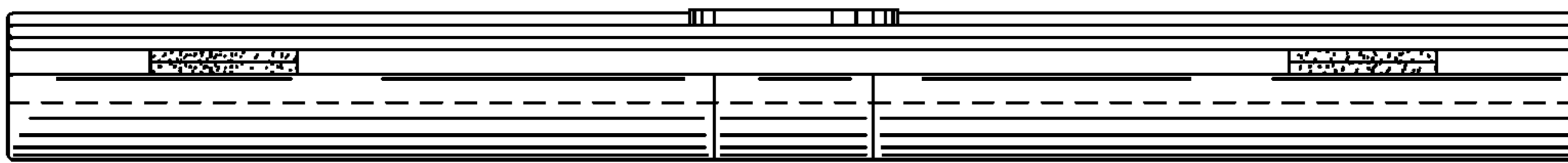


FIG. 8

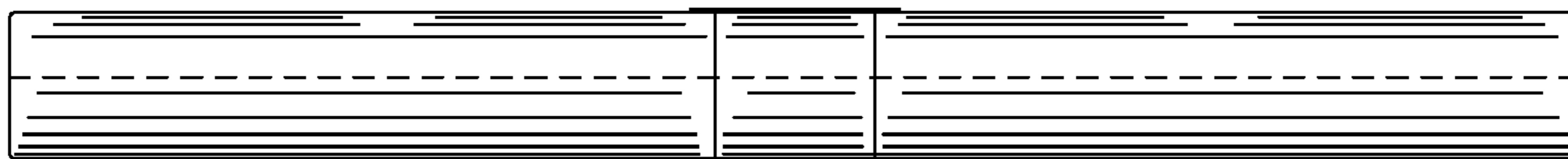


FIG. 9

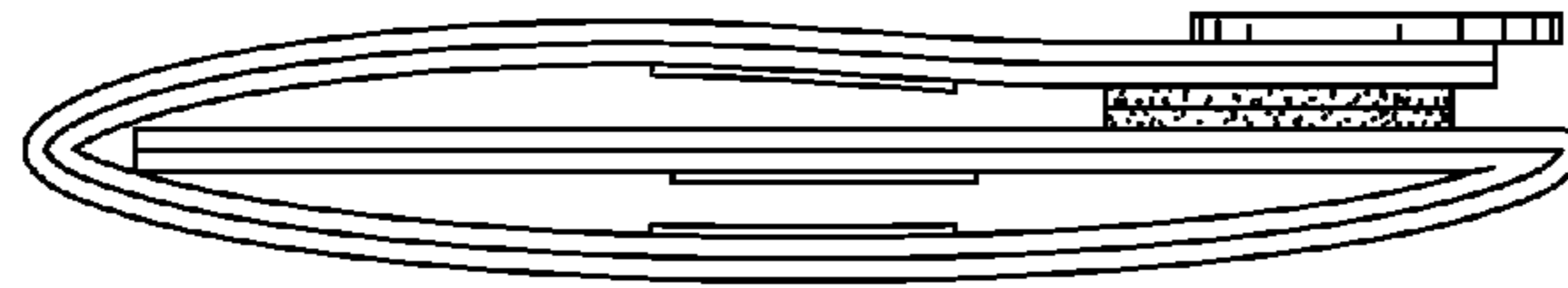


FIG. 10

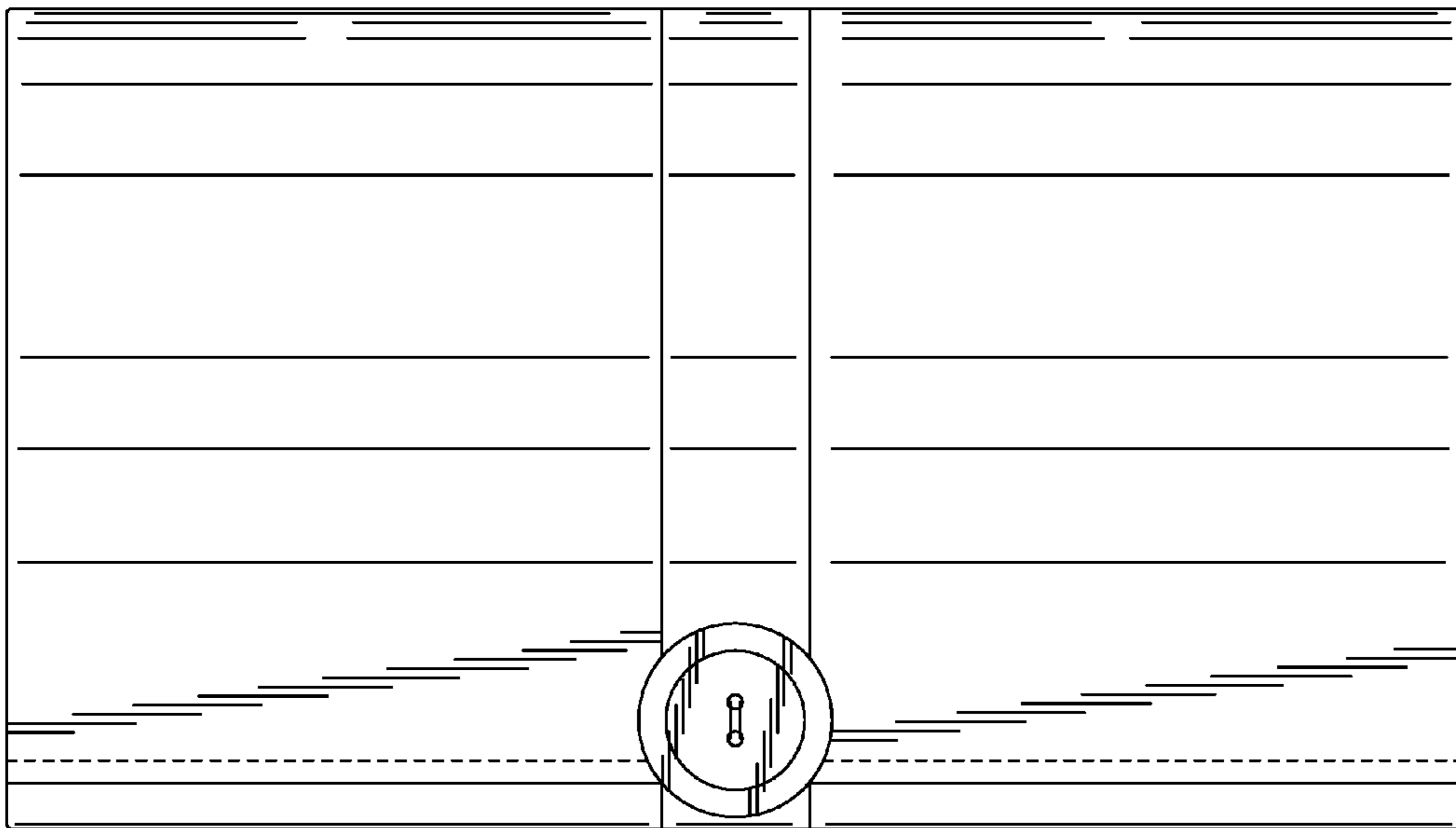


FIG. 11



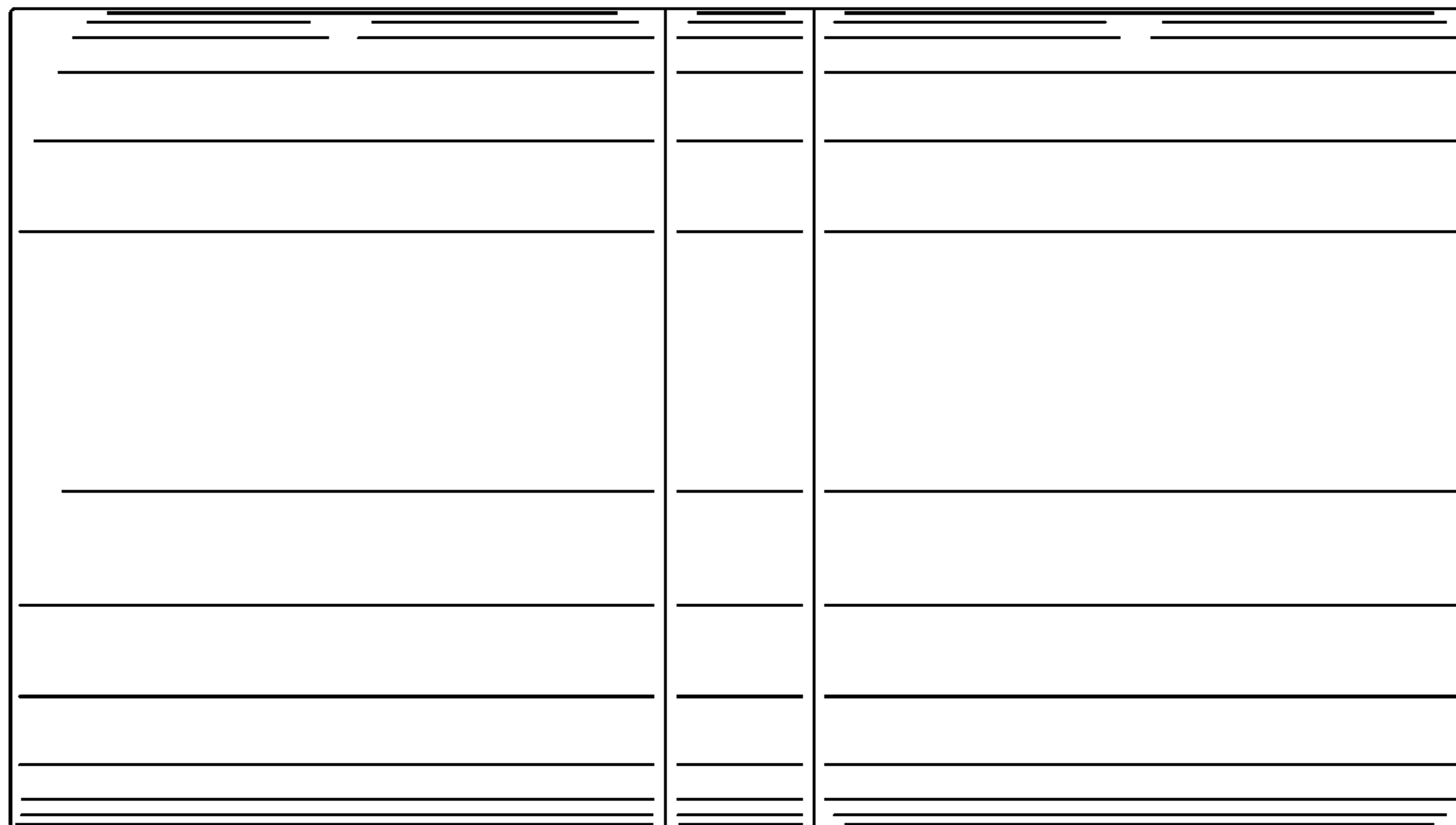


FIG. 12