

US00D643152S

(12) **United States Design Patent**
Peele

(10) **Patent No.:** **US D643,152 S**

(45) **Date of Patent:** **** Aug. 9, 2011**

(54) **CURLING IRON STAND**

(76) **Inventor:** **Terrence Peele**, Fayetteville, NC (US)

(**) **Term:** **14 Years**

(21) **Appl. No.:** **29/363,752**

(22) **Filed:** **Jun. 14, 2010**

(51) **LOC (9) Cl.** **28-03**

(52) **U.S. Cl.** **D28/38**

(58) **Field of Classification Search** D4/100,
D4/114, 133, 134, 120; 30/28, 29; D24/143,
D24/153; 132/74.5, 223, 224, 226, 228,
132/232, 233, 132, 248, 222, 251, 249, 238,
132/262, 123, 118, 121, 122, 227, 229, 237,
132/266, 285, 200; D30/158; D28/35, 9,
D28/10, 11, 12, 13, 37, 38, 73, 75, 55, 60,
D28/61, 44, 57, 58, 59; 219/222, 242, 218,
219/521, 226, 225, 229; D8/52; D32/35;
D7/686; D6/567, 608, 583; D3/205; 206/349
See application file for complete search history.

(56) **References Cited**

U.S. PATENT DOCUMENTS

D242,953 S * 1/1977 Bluestein D28/38
4,059,243 A * 11/1977 Hartley 242/129.6
4,179,077 A * 12/1979 Morishita 242/423
D258,476 S * 3/1981 Gilboy et al. D6/573

D304,670 S * 11/1989 Johnson D8/71
D305,944 S * 2/1990 Mellott D28/38
D332,670 S * 1/1993 McFarland D28/38
D341,520 S * 11/1993 LaBelle D7/601
D377,996 S * 2/1997 Gilbert D28/38
D386,818 S * 11/1997 Boomfield D28/38
D435,938 S * 1/2001 Bushman D28/73
6,682,035 B1 * 1/2004 Hart 248/309.2

* cited by examiner

Primary Examiner — Cathron Brooks

Assistant Examiner — Kevin K Rudzinski

(74) *Attorney, Agent, or Firm* — QuickPatents, Inc.; Kevin Prince

(57) **CLAIM**

What is claimed is the ornamental design for a curling iron stand, as shown and described.

DESCRIPTION

FIG. 1 is a perspective view of a curling iron stand, showing the new design;

FIG. 2 is a cross-sectional view thereof, taken generally along lines 7-7 of FIG. 3;

FIG. 3 is a top plan view thereof;

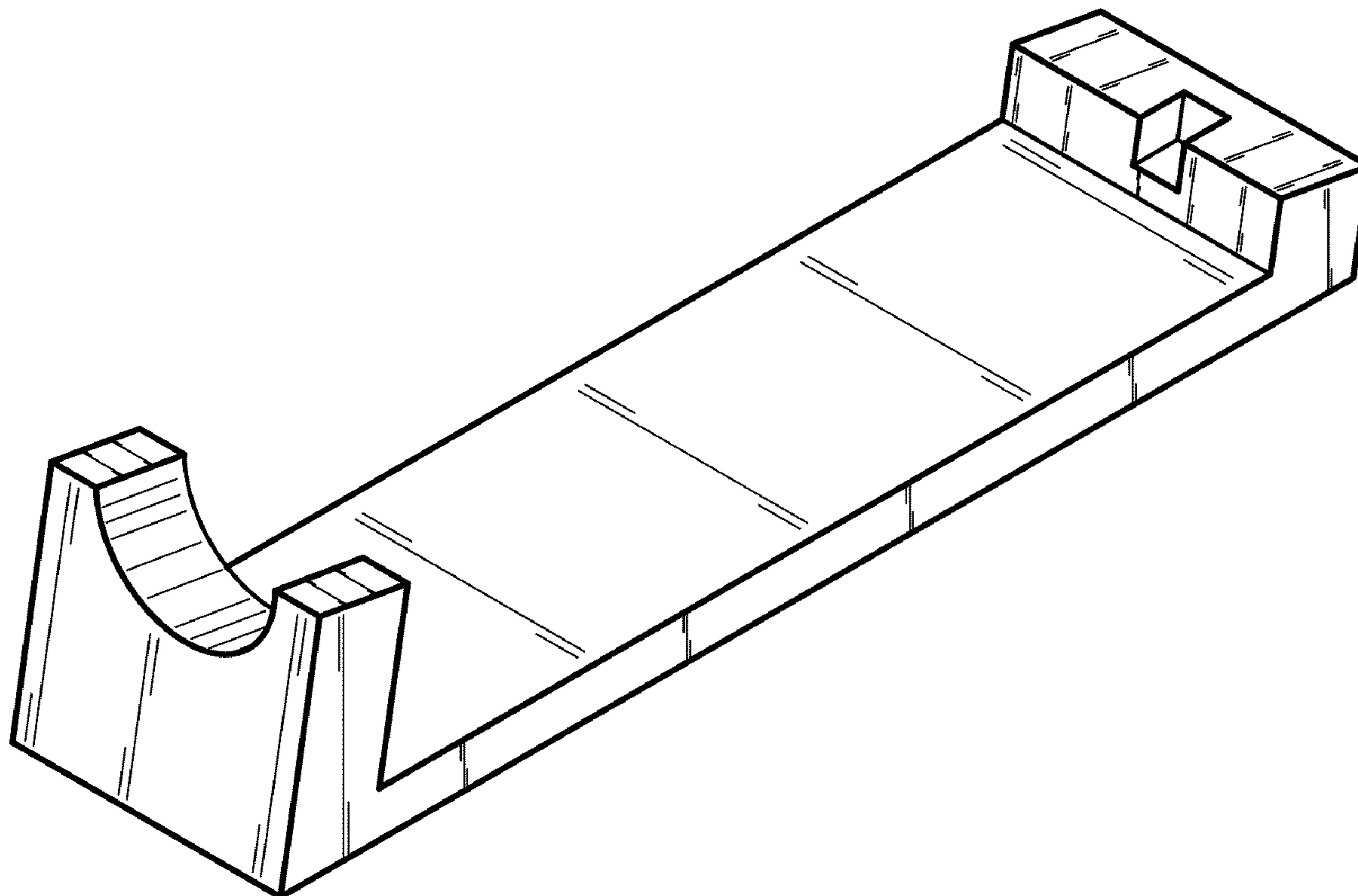
FIG. 4 is a left-side elevational view thereof, the right-side elevational view being a mirror image thereof;

FIG. 5 is a bottom plan view thereof;

FIG. 6 is a front elevational view thereof; and,

FIG. 7 is a rear elevational view thereof.

1 Claim, 2 Drawing Sheets



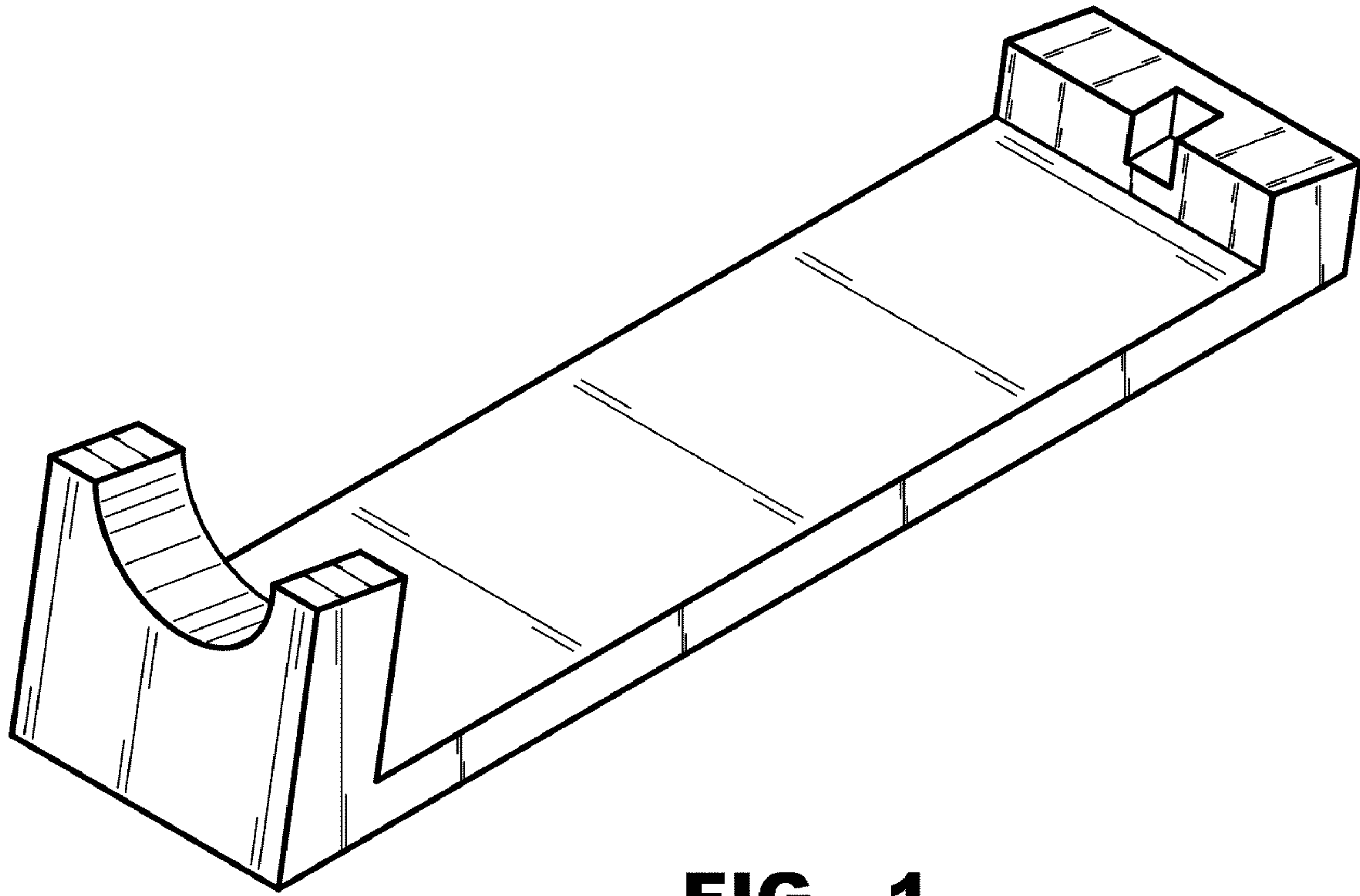


FIG. 1

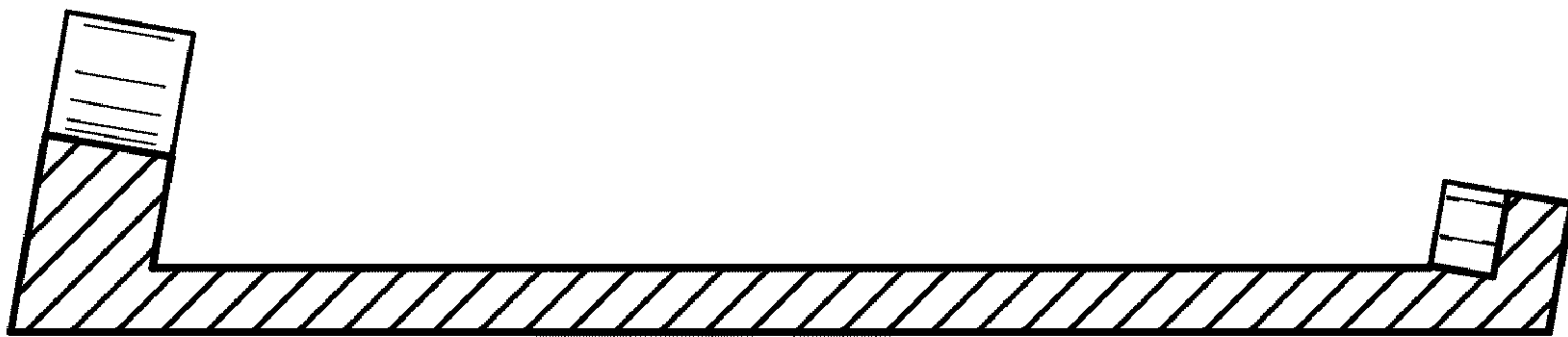


FIG. 2

