



US00D643151S

(12) **United States Design Patent**
Limongi et al.

(10) **Patent No.:** **US D643,151 S**

(45) **Date of Patent:** **** Aug. 9, 2011**

- (54) **SPATULA FOR MAKEUP**
- (75) Inventors: **Michel Limongi**, Clichy (FR); **Nicolas Rondeau**, Villeneuve la Garenne (FR)
- (73) Assignee: **Alcan Packaging Beauty Services**, Gennevilliers (FR)
- (**) Term: **14 Years**
- (21) Appl. No.: **29/349,788**
- (22) Filed: **Apr. 29, 2010**
- (51) **LOC (9) Cl.** **28-02**
- (52) **U.S. Cl.** **D28/7**
- (58) **Field of Classification Search** D28/7,
D28/8, 20–22, 30–31, 76, 85, 99; 132/108,
132/202, 208, 317, 320; 401/202–207, 261–267;
D4/132–135; D24/119; D7/361, 395, 688
See application file for complete search history.

- D527,143 S * 8/2006 Fischer D28/7
- D537,564 S * 2/2007 Montoli D28/7
- D538,975 S * 3/2007 Montoli D28/7
- D541,979 S * 5/2007 Montoli D28/7
- D544,644 S * 6/2007 Hartstock et al. D28/7
- D552,798 S * 10/2007 Py et al. D28/88
- D591,903 S * 5/2009 Mongeon et al. D28/7
- D591,904 S * 5/2009 Mongeon et al. D28/7

* cited by examiner

Primary Examiner — Zenia Bennett

(74) *Attorney, Agent, or Firm* — Cooper & Dunham LLP

(57) **CLAIM**

The ornamental design for spatula for makeup, as shown and described.

DESCRIPTION

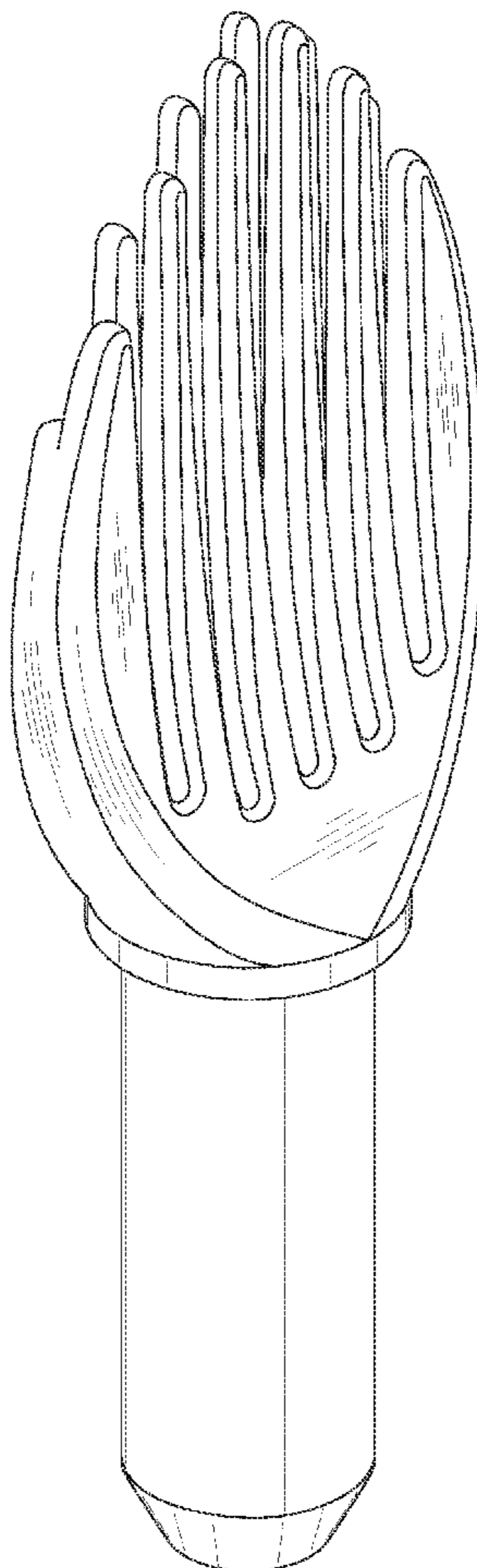
FIG. 1 is a perspective view thereof;
FIG. 2 is a left side view thereof;
FIG. 3 is a rear view thereof;
FIG. 4 is an enlarged bottom view thereof;
FIG. 5 is a front view thereof;
FIG. 6 is a right side view thereof; and,
FIG. 7 is an enlarged top view thereof.

(56) **References Cited**

U.S. PATENT DOCUMENTS

- D258,541 S * 3/1981 Featherstone D28/31
- D282,977 S * 3/1986 Harvey D28/31

1 Claim, 4 Drawing Sheets



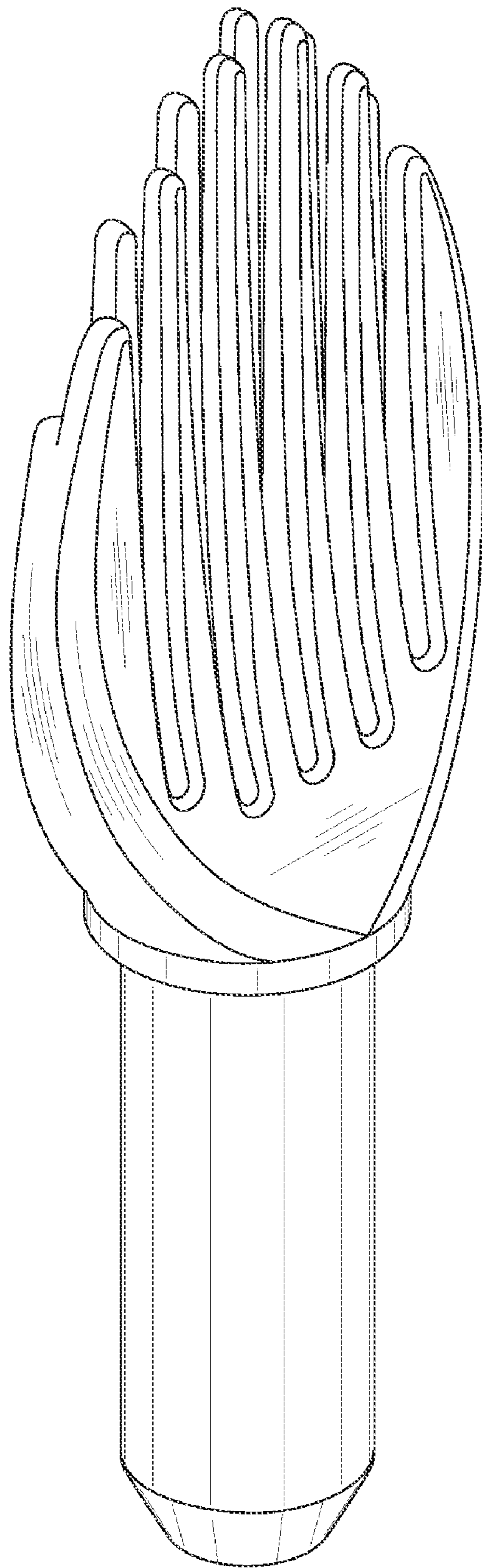


FIG. 1

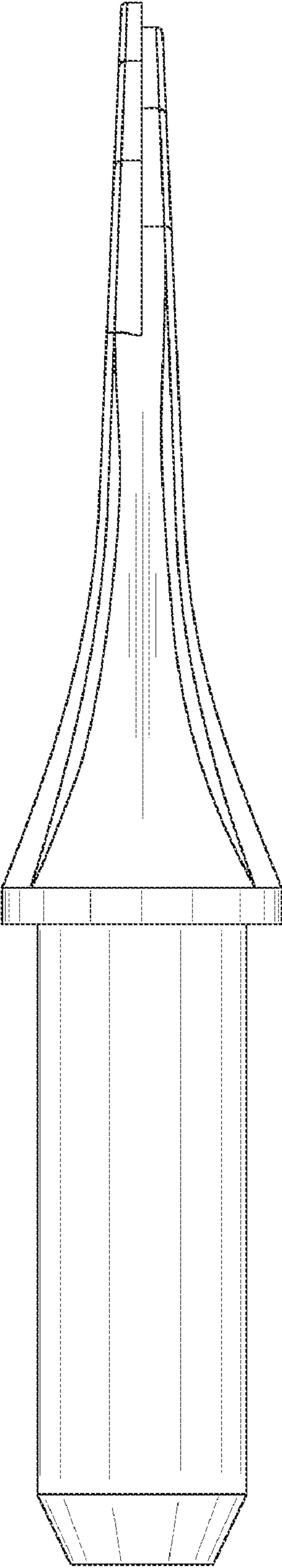


FIG. 2

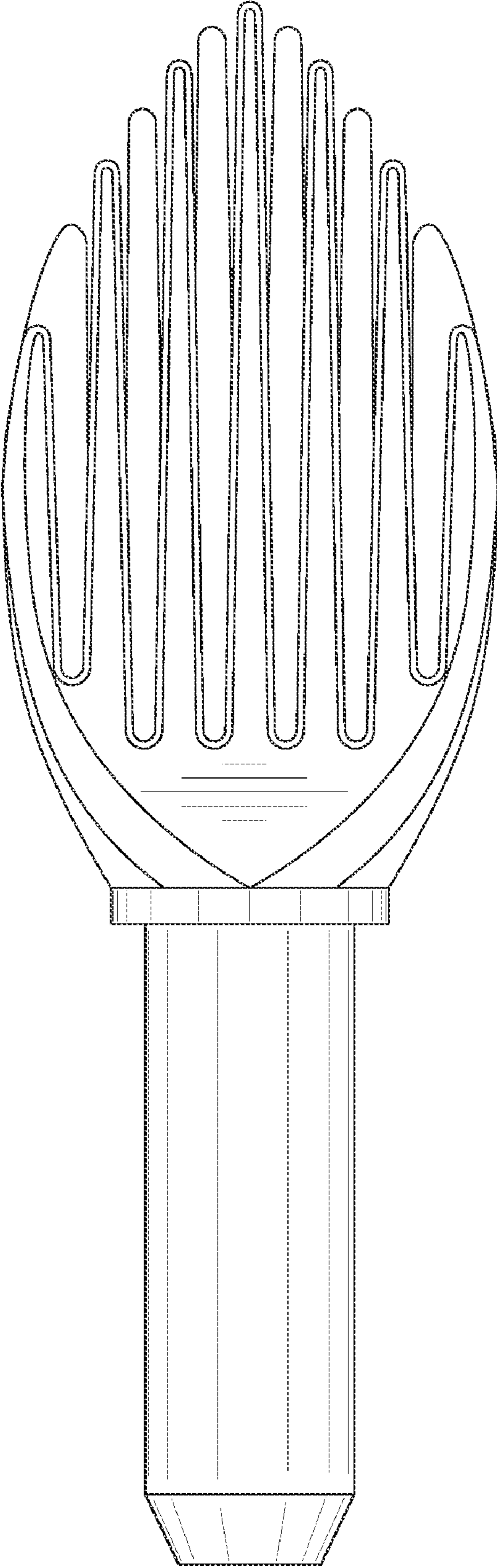


FIG. 3

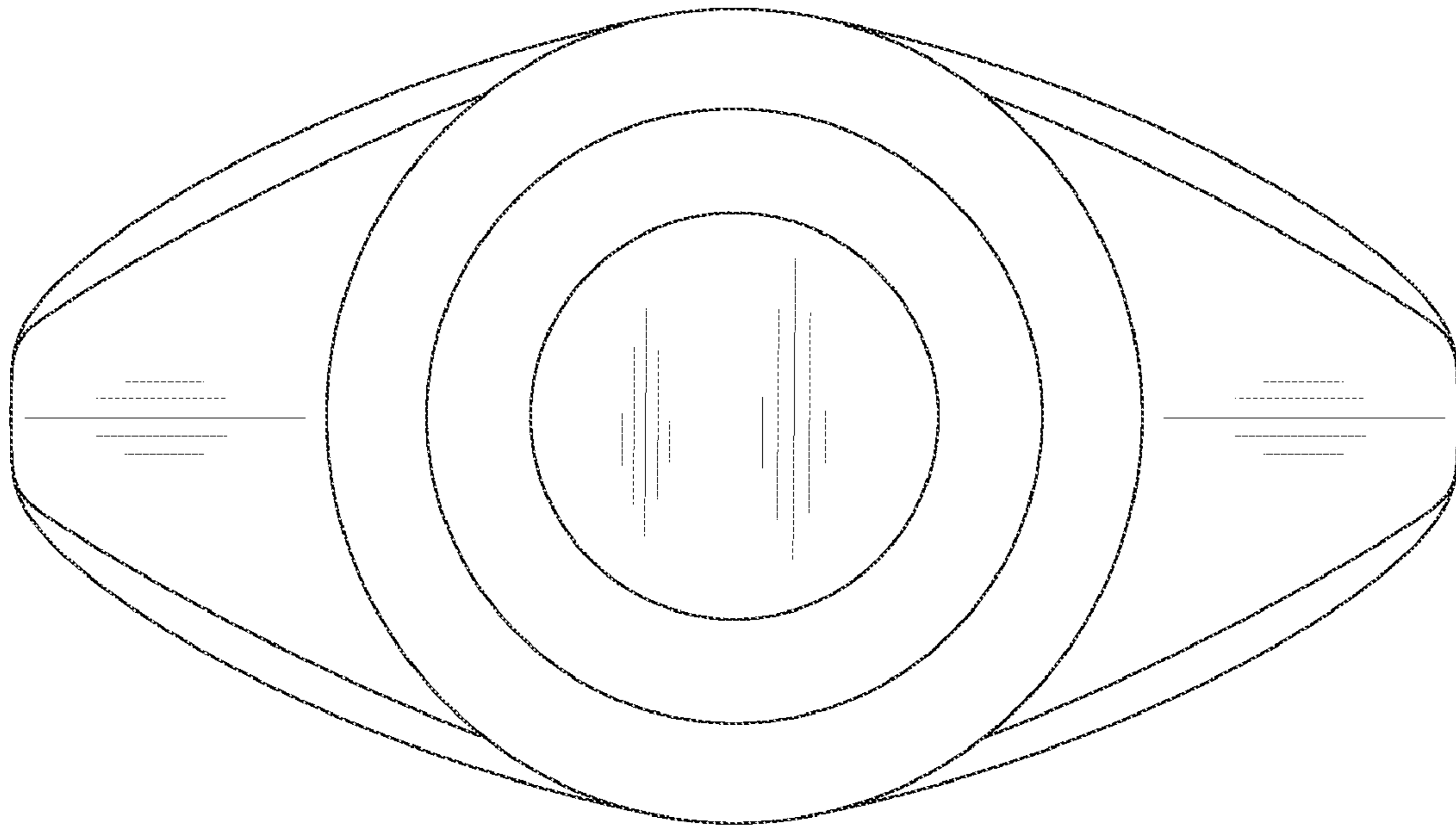


FIG. 4

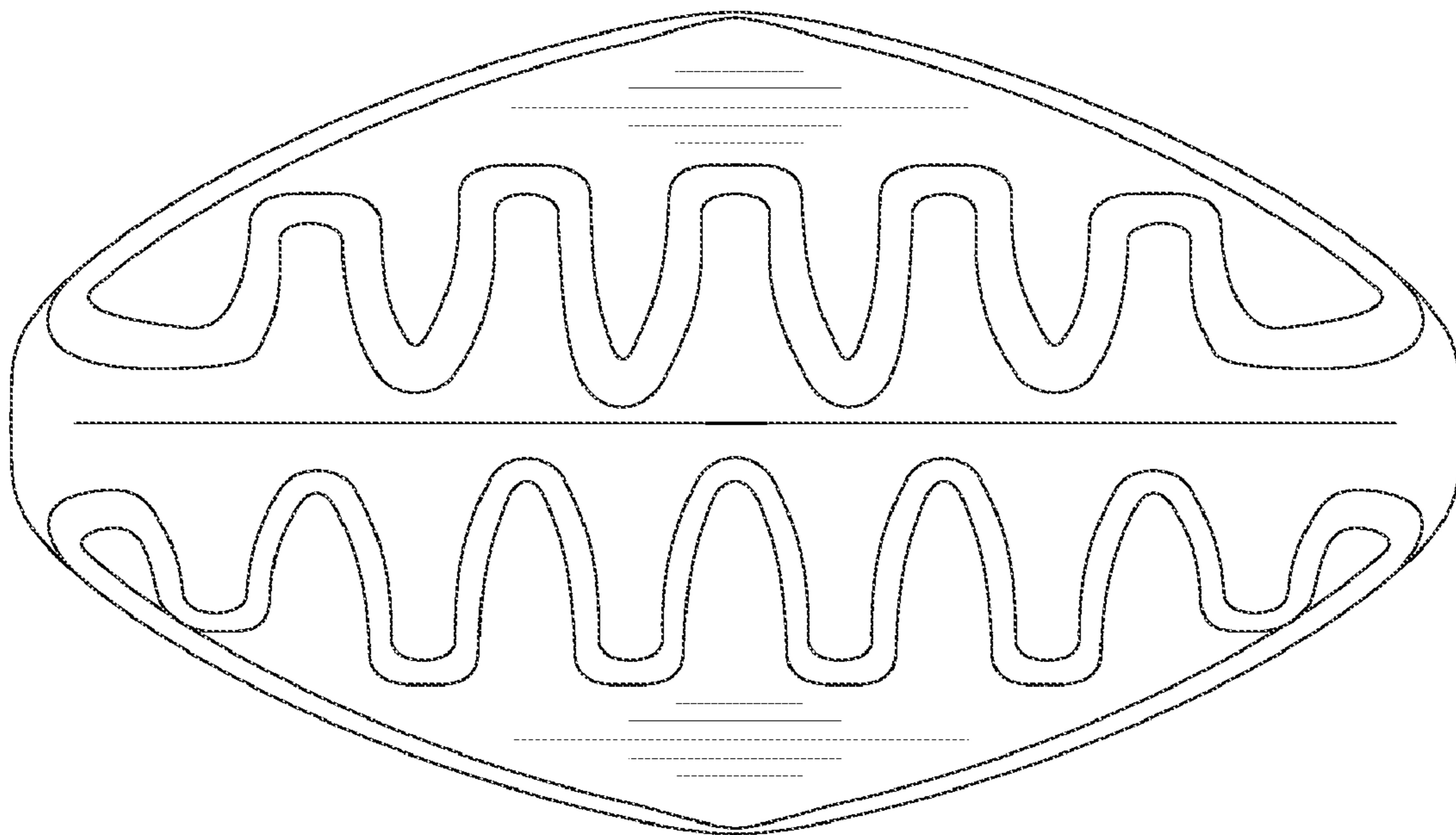


FIG. 7

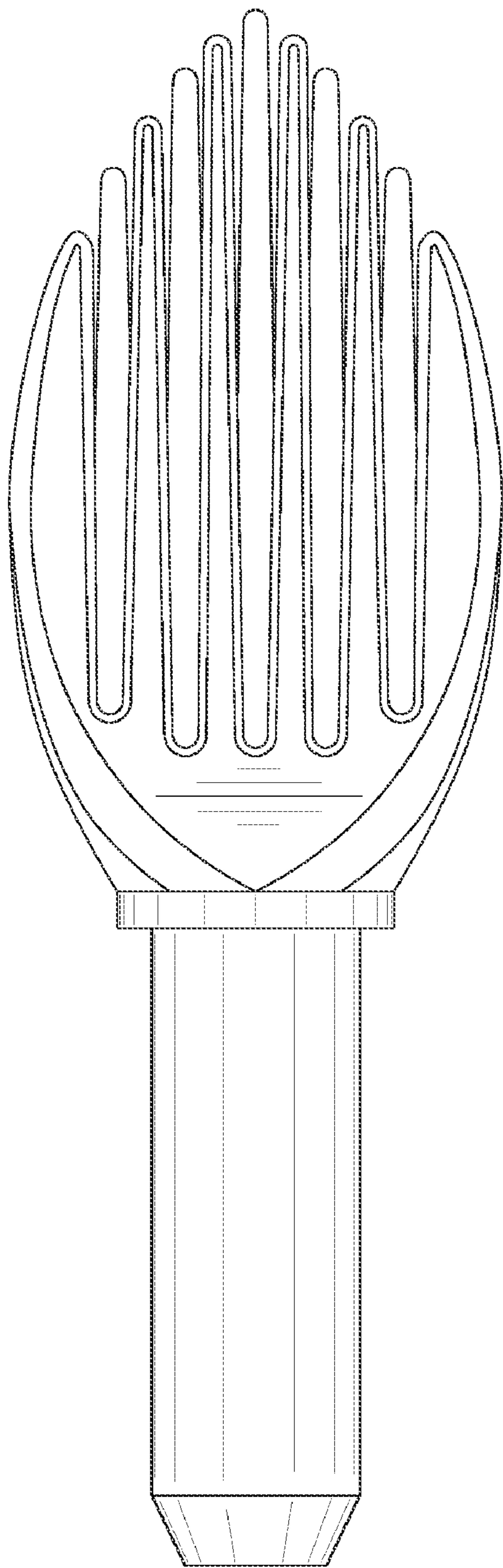


FIG. 5

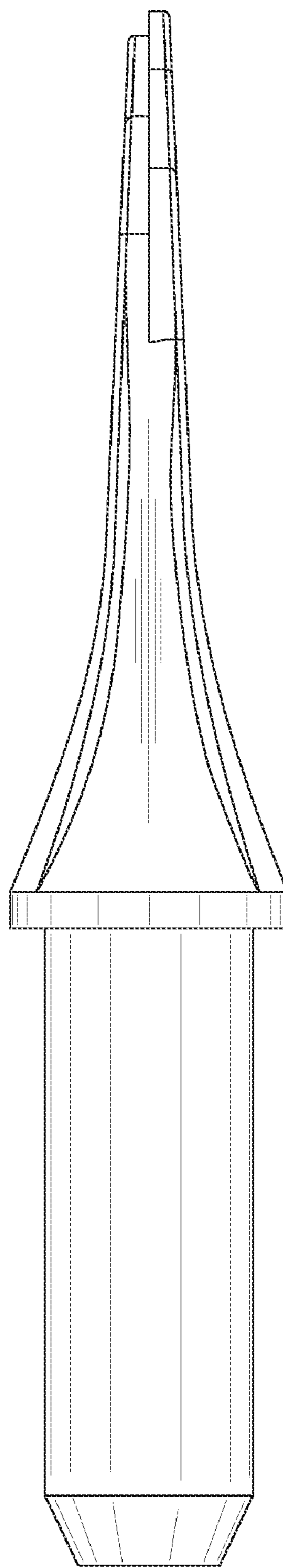


FIG. 6