

US00D643150S

(12) **United States Design Patent**  
**Chen et al.**

(10) **Patent No.:** **US D643,150 S**  
(45) **Date of Patent:** **\*\* Aug. 9, 2011**

- (54) **LED LENS**
- (75) Inventors: **Chin-Chung Chen**, Taipei Hsien (TW);  
**Shi-Yu Song**, Shenzhen (CN)
- (73) Assignee: **Foxconn Technology Co., Ltd.**,  
Tu-Cheng, New Taipei (TW)
- (\*\*) Term: **14 Years**
- (21) Appl. No.: **29/350,621**
- (22) Filed: **Nov. 20, 2009**
- (51) **LOC (9) Cl.** ..... **26-99**
- (52) **U.S. Cl.** ..... **D26/124**
- (58) **Field of Classification Search** ..... D13/179,  
D13/180; D16/101, 135; D25/122, 124;  
D26/9, 11, 22, 25, 56, 67, 71, 72, 74, 76,  
D26/79, 84, 85, 88, 89, 113, 118, 119, 120,  
D26/121, 122, 123, 124, 128, 129, 130, 134,  
D26/137, 138, 139, 140, 141, 142, 152; 52/844;  
359/811, 819; 362/145, 152, 219, 240, 241,  
362/249.01, 249.02, 249.03, 249.04, 249.05,  
362/249.06, 249.07, 249.08, 249.09, 249.1,  
362/547, 555  
See application file for complete search history.

- D524,260 S \* 7/2006 Ishizaka et al. .... D13/180
- D525,949 S \* 8/2006 Kamada ..... D13/180
- 7,217,004 B2 \* 5/2007 Park et al. .... 362/240
- D555,111 S \* 11/2007 Yen ..... D13/180
- D563,588 S \* 3/2008 Mullen ..... D26/85
- D567,773 S \* 4/2008 Kamada ..... D13/180
- D573,554 S \* 7/2008 Kobayakawa ..... D13/180
- D574,551 S \* 8/2008 Park ..... D26/120
- D576,569 S \* 9/2008 Chen et al. .... D13/180
- D579,424 S \* 10/2008 Kim et al. .... D13/180
- 7,458,703 B2 \* 12/2008 Han et al. .... 362/267
- D596,592 S \* 7/2009 Yong et al. .... D13/180
- 7,618,160 B2 \* 11/2009 Chinniah et al. .... 362/326
- 2004/0212998 A1 \* 10/2004 Mohacsi ..... 362/294
- 2006/0284209 A1 \* 12/2006 Kim et al. .... 257/100
- 2007/0045823 A1 \* 3/2007 Miller ..... 257/706
- 2007/0063321 A1 \* 3/2007 Han et al. .... 257/675
- 2007/0114559 A1 \* 5/2007 Sayers et al. .... 257/100
- 2007/0126020 A1 \* 6/2007 Lin et al. .... 257/100
- 2008/0203412 A1 \* 8/2008 Shyu et al. .... 257/98

\* cited by examiner

*Primary Examiner* — Cathron C Brooks  
*Assistant Examiner* — Kevin K Rudzinski  
(74) *Attorney, Agent, or Firm* — Frank R. Niranjana

(57) **CLAIM**  
The ornamental design for an LED lens, as shown and described.

**DESCRIPTION**

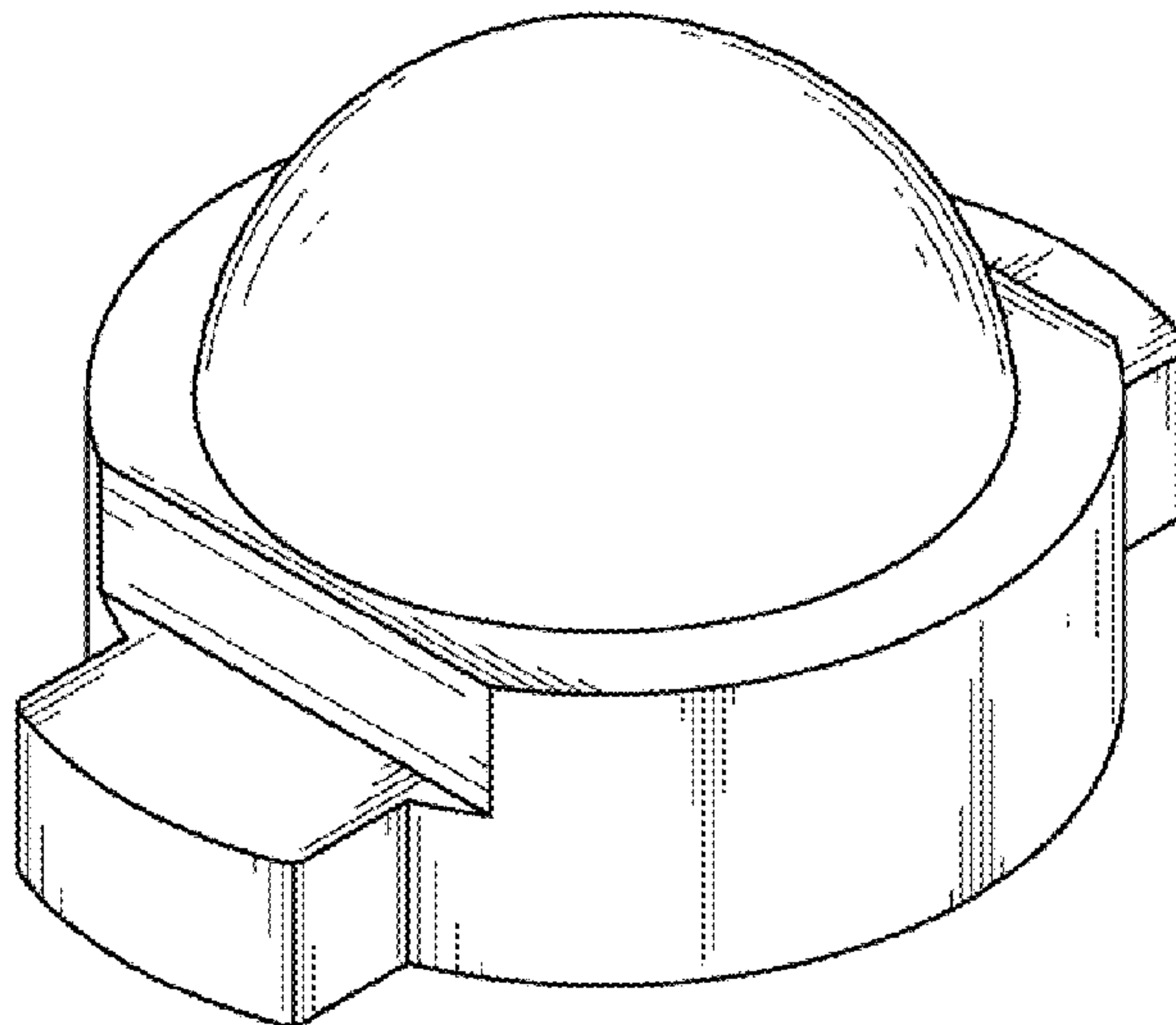
FIG. 1 is a perspective view of an LED lens showing our new design.  
FIG. 2 is a front elevational view thereof, the rear elevational view being a mirror image of FIG. 2.  
FIG. 3 is a left-side, elevational view thereof, the right-side, elevational view being a mirror image of FIG. 3.  
FIG. 4 is a top plan view thereof.  
FIG. 5 is a bottom plan view thereof; and,  
FIG. 6 is a cross-sectional view thereof, taken along line VI-VI of FIG. 4.

**1 Claim, 6 Drawing Sheets**

(56) **References Cited**

**U.S. PATENT DOCUMENTS**

- D140,840 S \* 4/1945 Cressaty ..... D26/124
- D283,555 S \* 4/1986 Levi ..... D26/85
- D297,717 S \* 9/1988 Chu ..... D10/104
- 5,905,599 A \* 5/1999 Nomura et al. .... 359/819
- 6,034,827 A \* 3/2000 Nomura et al. .... 359/811
- 6,055,111 A \* 4/2000 Nomura et al. .... 359/642
- D465,599 S \* 11/2002 Thompson ..... D26/89
- 6,474,831 B1 \* 11/2002 Ruuttu et al. .... 362/148
- D491,897 S \* 6/2004 Kamada ..... D13/180
- D491,898 S \* 6/2004 Kamada ..... D13/180
- 6,972,439 B1 \* 12/2005 Kim et al. .... 257/98
- 7,019,334 B2 \* 3/2006 Yatsuda et al. .... 257/98



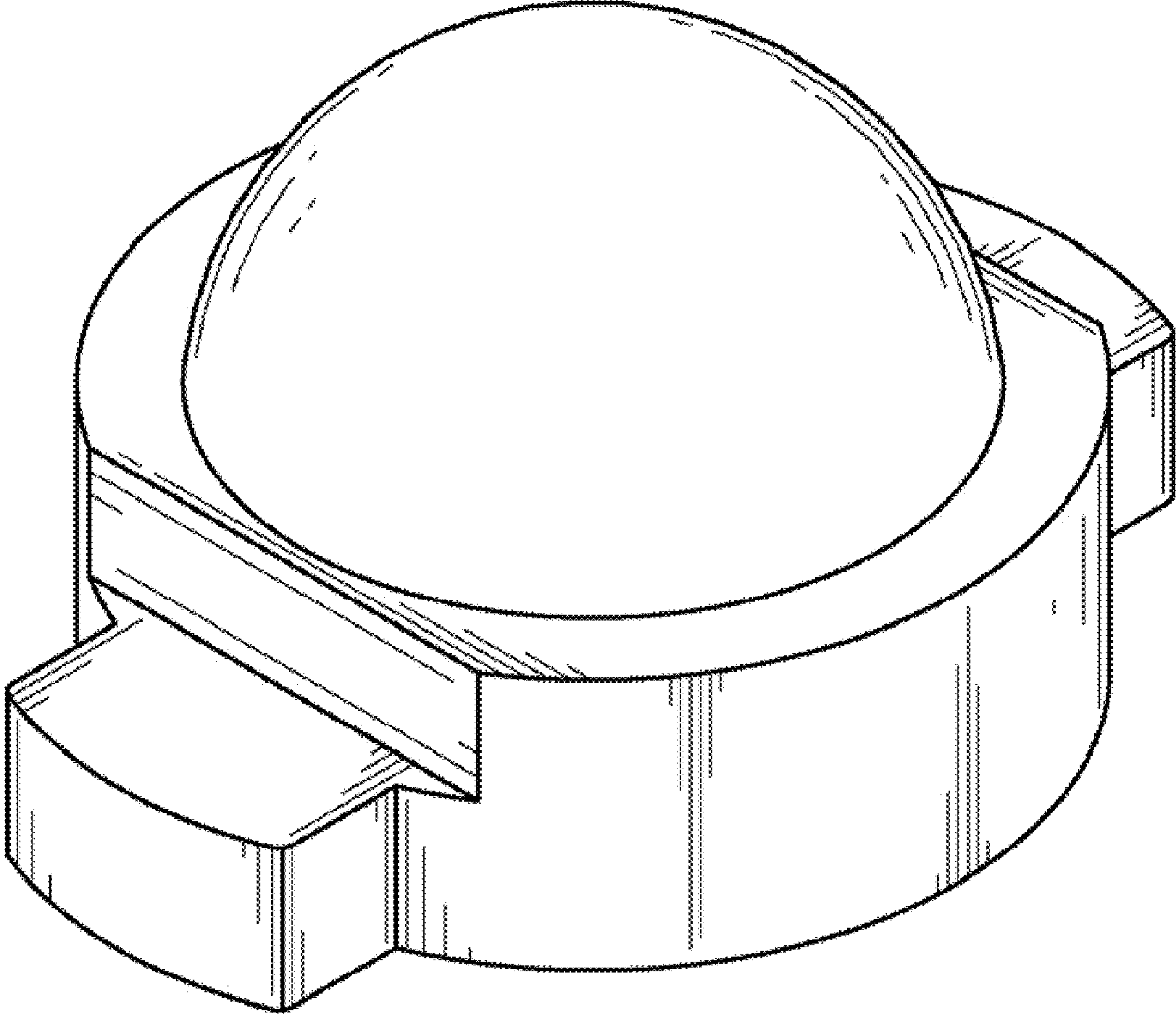


FIG. 1

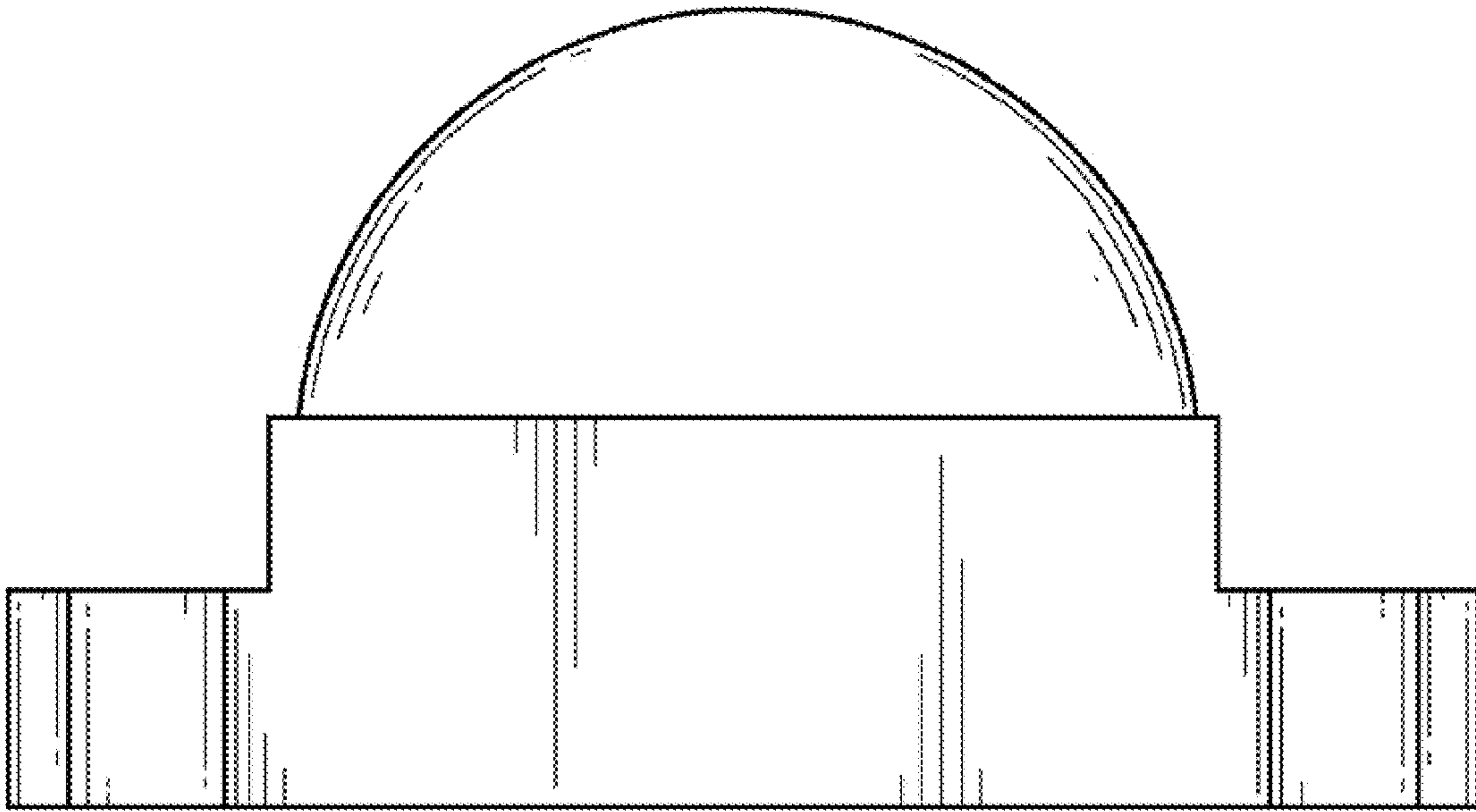


FIG. 2

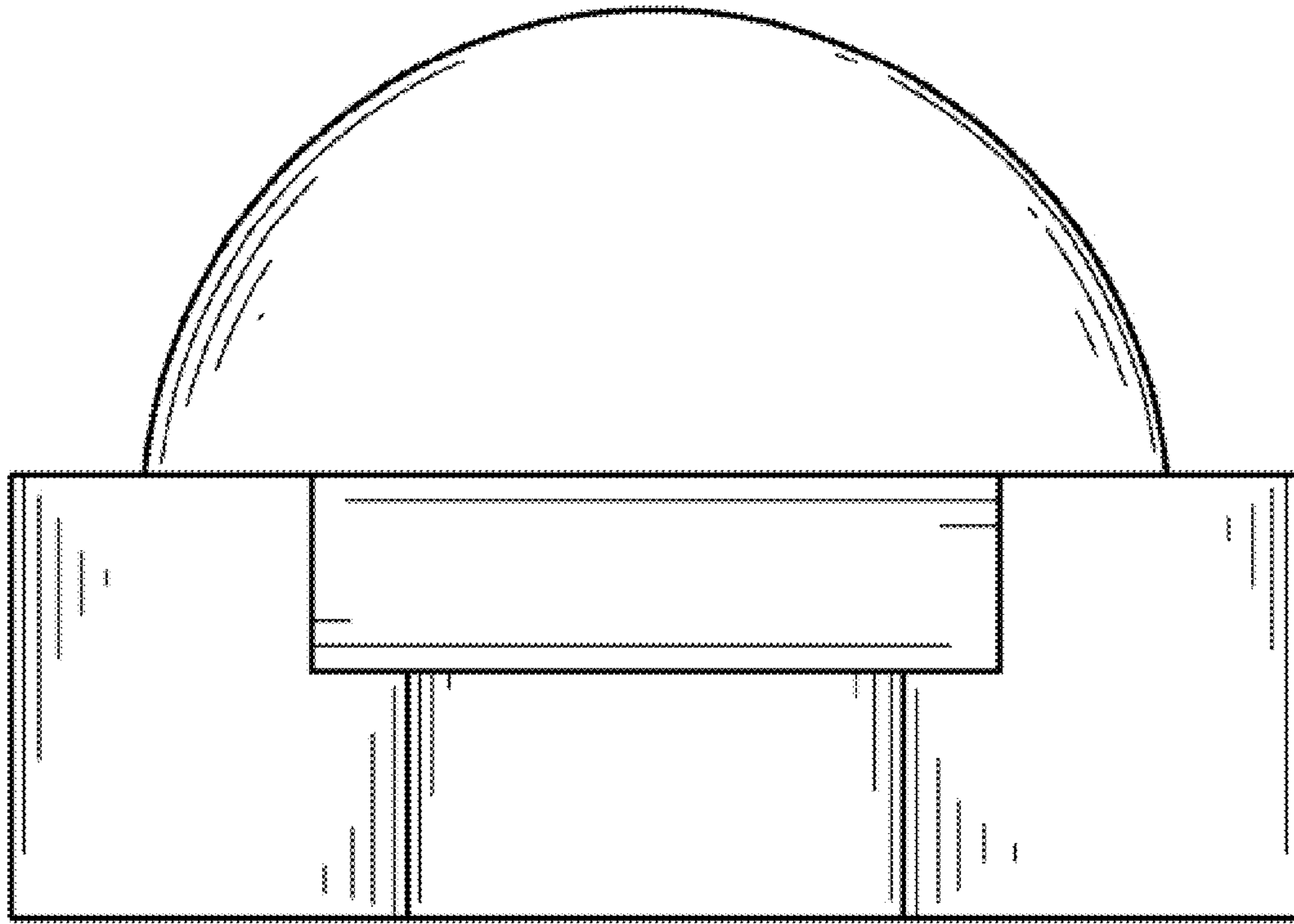


FIG. 3

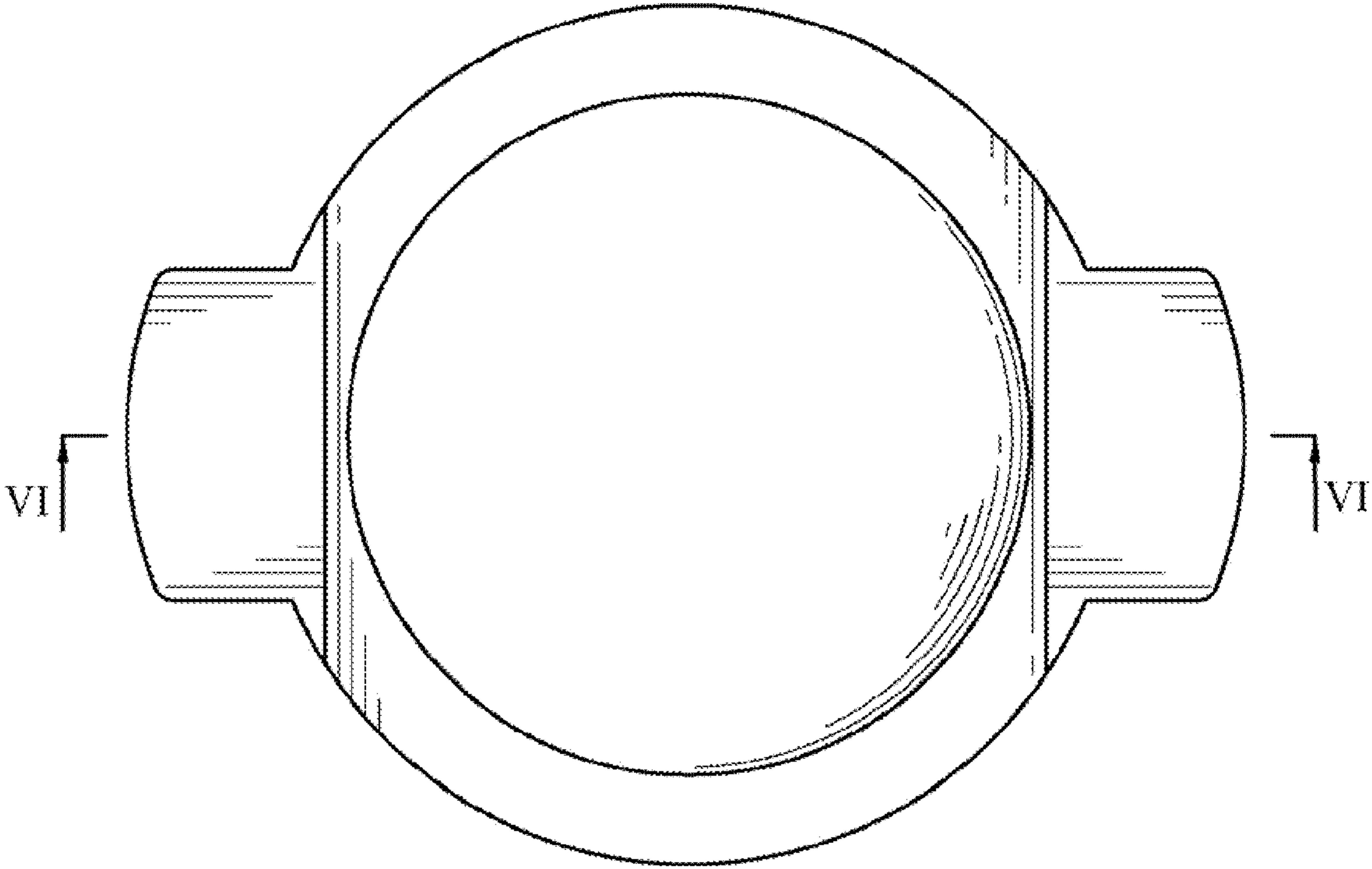


FIG. 4



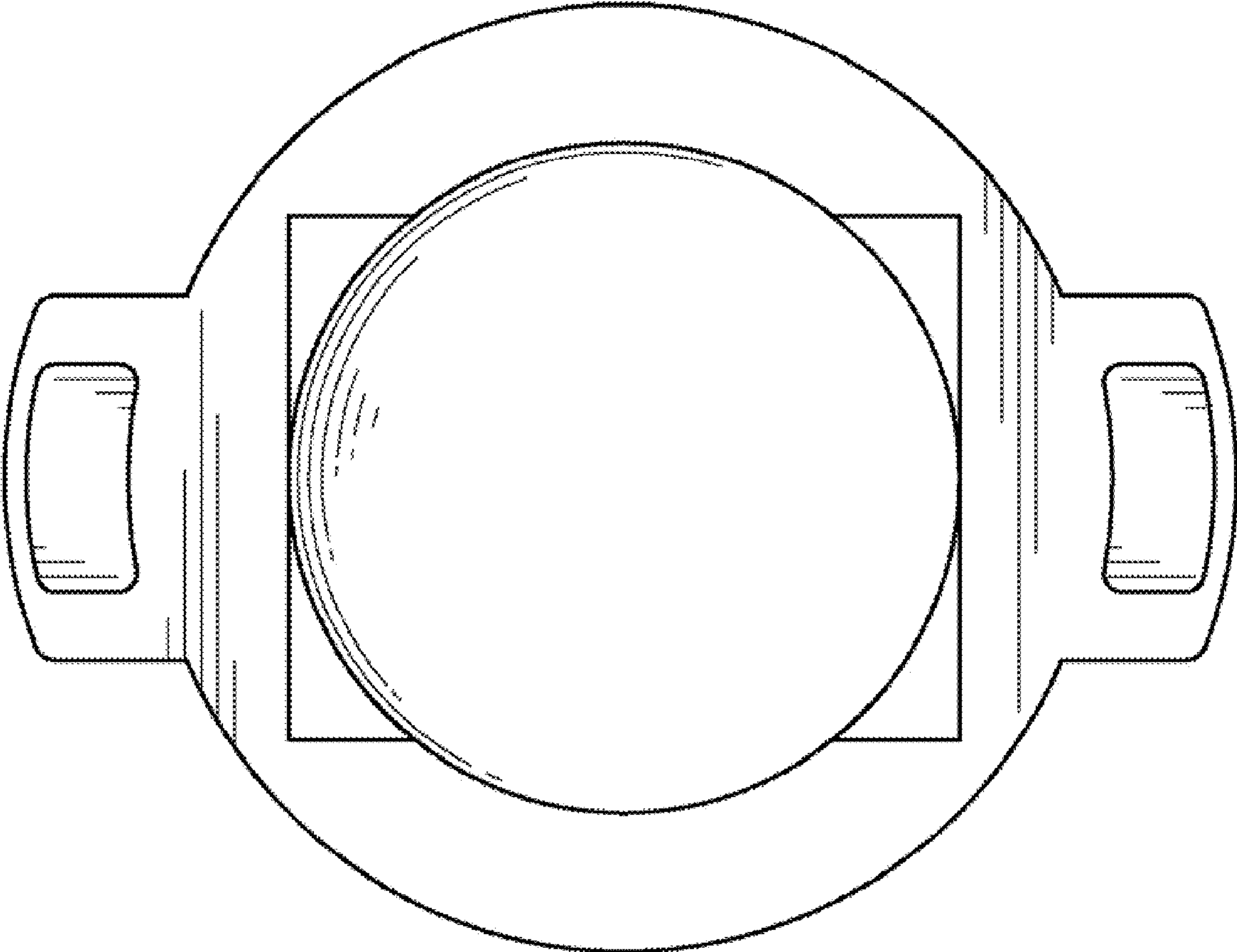


FIG. 5

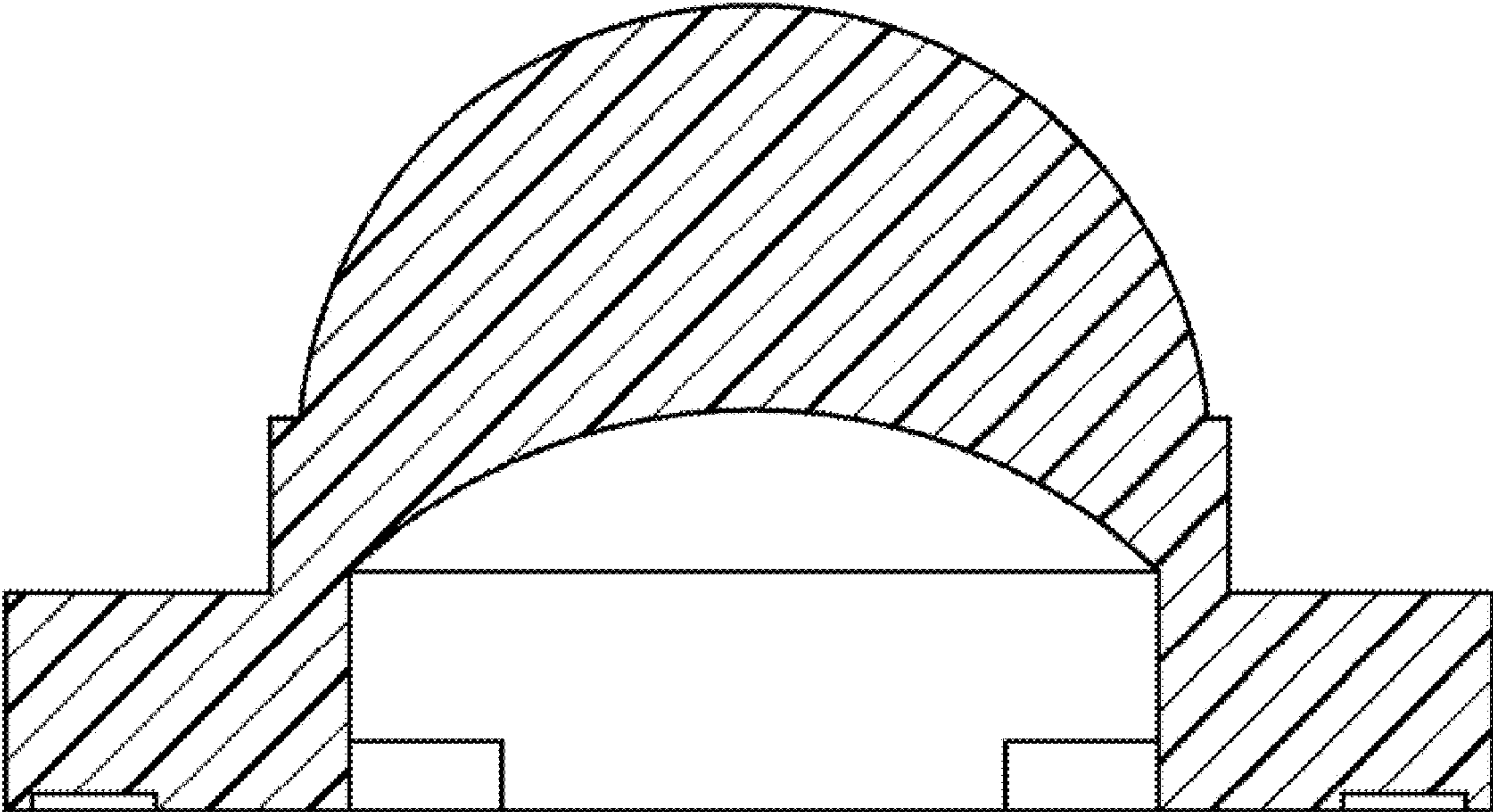


FIG. 6