



US00D643148S

(12) **United States Design Patent**
Jabra et al.

(10) **Patent No.:** **US D643,148 S**
(45) **Date of Patent:** **** Aug. 9, 2011**

- (54) **LENS FOR AN LED LUMINAIRE**
 - (75) Inventors: **Jonathan Jabra**, Laval (CA); **Eric Marcoux**, Laval (CA)
 - (73) Assignee: **U.S. LED, Inc.**, Houston, TX (US)
 - (**) Term: **14 Years**
 - (21) Appl. No.: **29/380,478**
 - (22) Filed: **Dec. 6, 2010**
 - (51) **LOC (9) Cl.** **26-99**
 - (52) **U.S. Cl.** **D26/120**
 - (58) **Field of Classification Search** D26/125,
D26/49, 46, 37, 118, 71, 92, 85, 87, 128,
D26/63, 65, 88, 76, 120, 113, 119, 138, 2,
D26/67, 72, 93, 123, 129, 130, 24, 107, 108,
D26/62, 109, 51, 127, 122, 131, 140, 141,
D26/142, 143, 144, 145, 58, 60, 68; 362/101,
362/34, 346, 223, 294, 549, 109, 190, 192,
362/249.01-249.11, 98, 99, 16, 17, 18, 19;
D13/179, 180; D23/411; 424/401, 402,
424/403, 404, 405; D8/353; 248/158, 122.1;
D25/124; D16/135, 131, 244, 136; D15/90;
359/801, 802, 807, 812; 119/245, 246, 247,
119/253, 256, 266
- See application file for complete search history.

5,526,190	A *	6/1996	Hubble et al.	359/719
7,159,997	B2 *	1/2007	Reo et al.	362/240
7,387,399	B2 *	6/2008	Noh et al.	362/97.1
D577,852	S *	9/2008	Miyairi et al.	D26/120
D582,602	S *	12/2008	Maxik et al.	D26/118
D590,099	S *	4/2009	Maxik et al.	D26/118
D606,501	S *	12/2009	Plonski et al.	D13/179
D617,937	S	6/2010	Farmer et al.		
D627,095	S *	11/2010	Miyairi et al.	D26/120
D628,540	S *	12/2010	Tsou	D13/180
2002/0149934	A1 *	10/2002	Lin	362/240
2006/0198144	A1 *	9/2006	Miyairi et al.	362/257
2007/0019416	A1 *	1/2007	Han et al.	362/307
2008/0285264	A1 *	11/2008	Whitehouse et al.	362/217

* cited by examiner

Primary Examiner — Cathron Brooks

Assistant Examiner — Kevin Rudzinski

(74) *Attorney, Agent, or Firm* — Wong, Cabello, Lutsch, Rutherford & Brucculeri, LLP

(57) **CLAIM**

The ornamental design for a lens for an LED luminaire, as shown and described.

DESCRIPTION

FIG. 1 is an isometric view of the lens;
FIG. 2 is an end view of the lens of FIG. 1 from a right side;
FIG. 3 is an end view of the lens of FIG. 1 from a left side; and,
FIG. 4 is a side elevation view of the lens of FIG. 1.

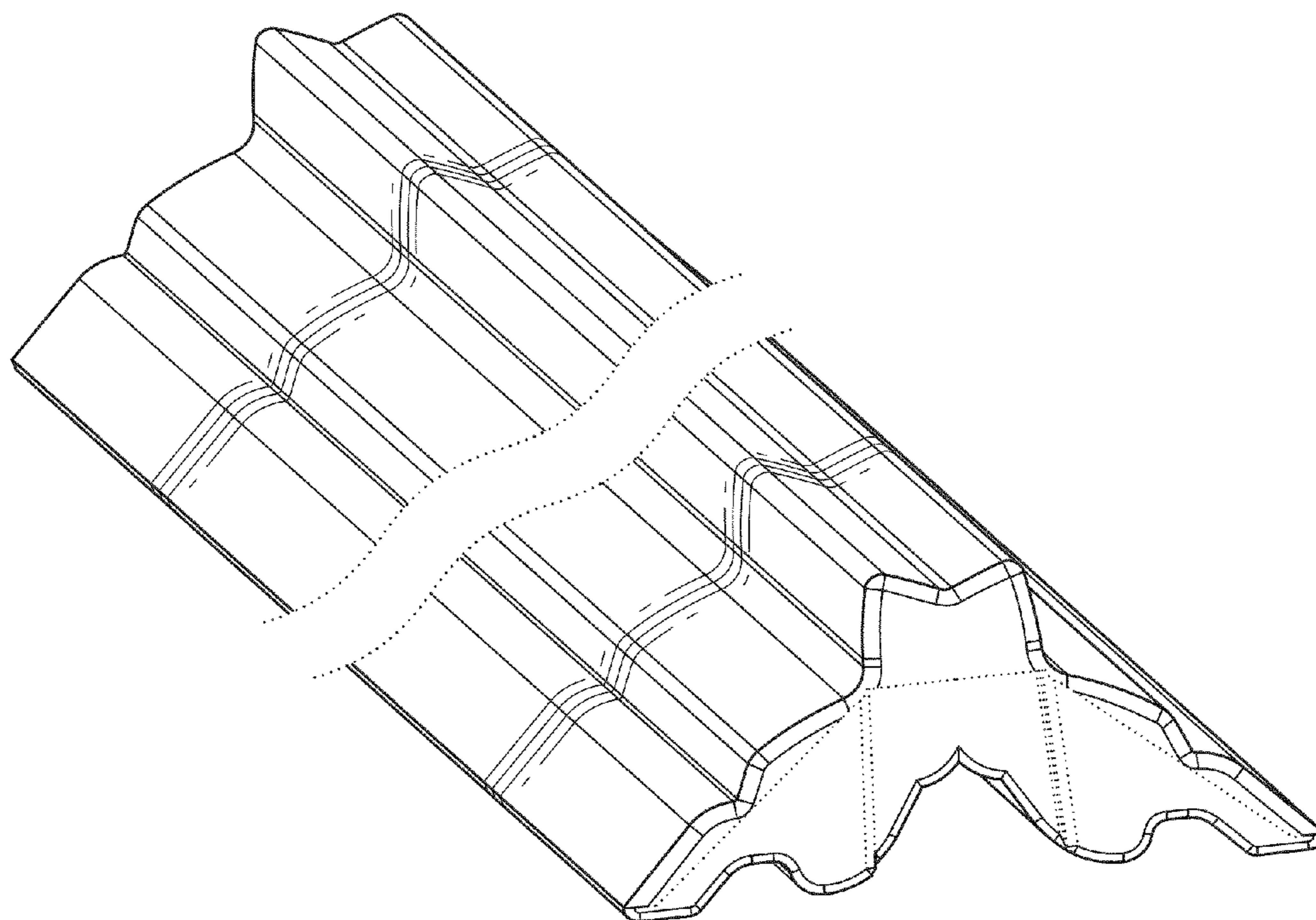
The wavy broken lines in the drawings indicate that the design has no particular length and form no part of the claimed design. The broken lines showing unclaimed portions of the lens and the surfaces on either end of the lens form no part of the claimed design.

1 Claim, 2 Drawing Sheets

(56) **References Cited**

U.S. PATENT DOCUMENTS

2,277,433	A *	3/1942	Guth	362/356
2,356,654	A *	8/1944	Cullman	362/223
D302,049	S *	7/1989	Gecchelin	D26/122



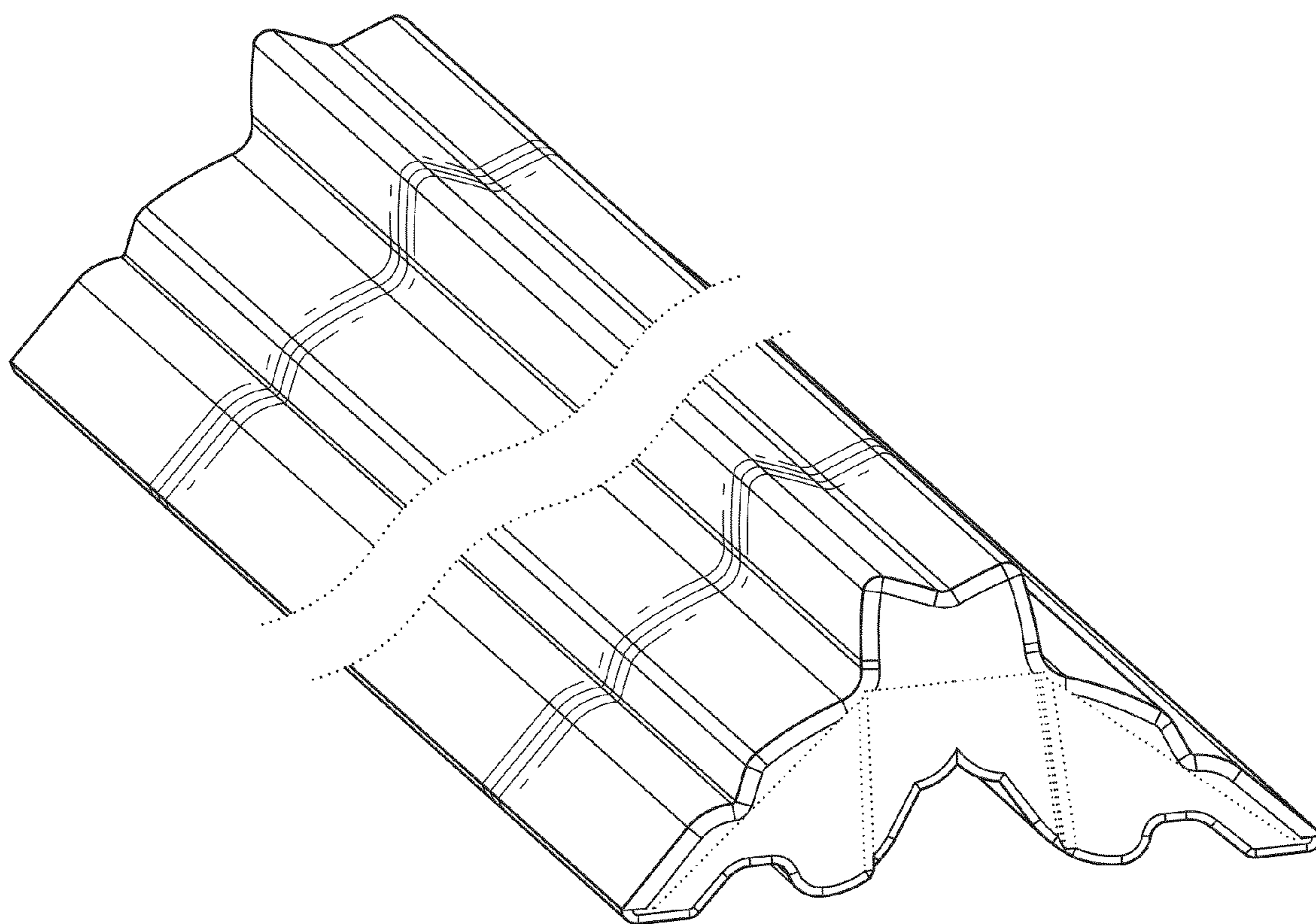


FIG. 1

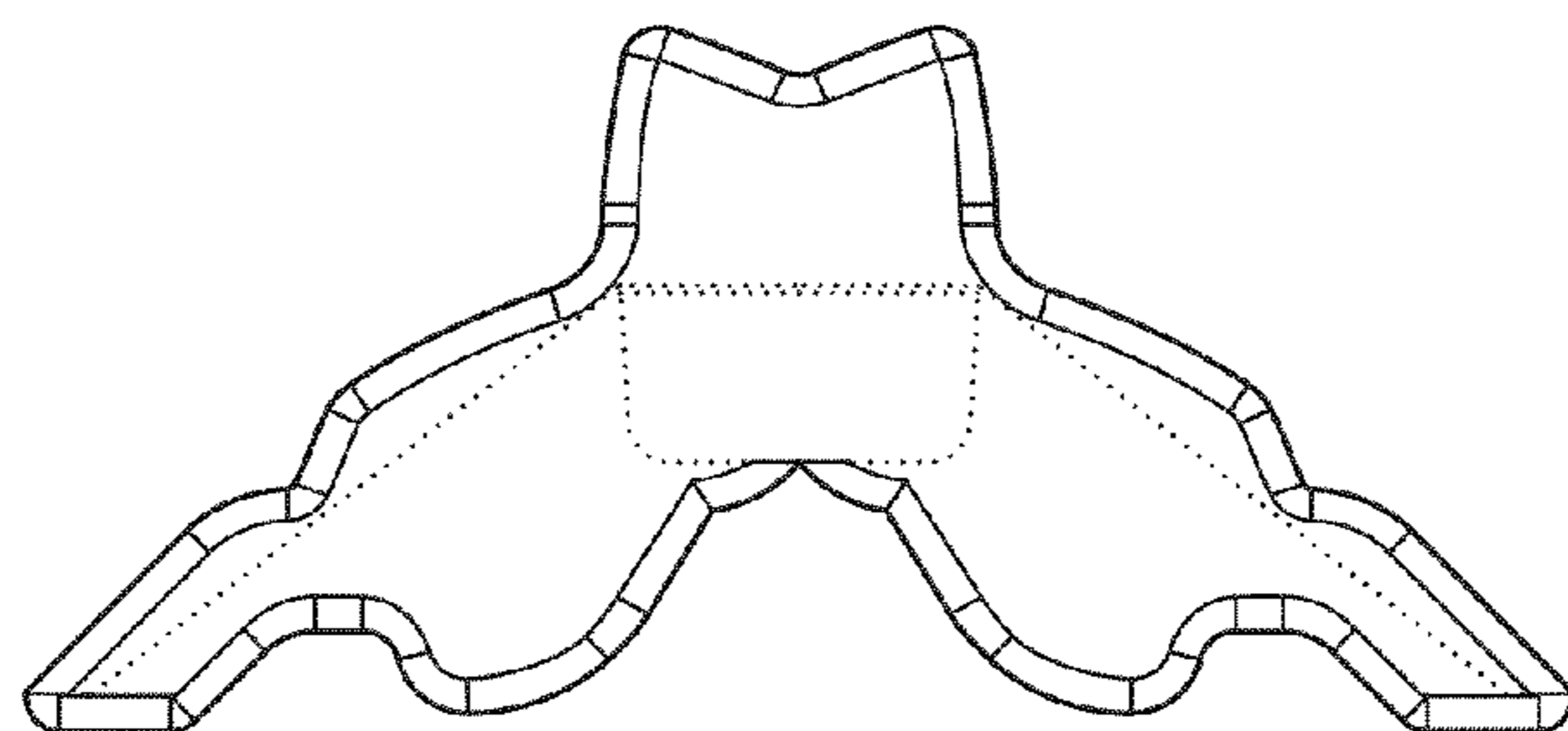


FIG. 2

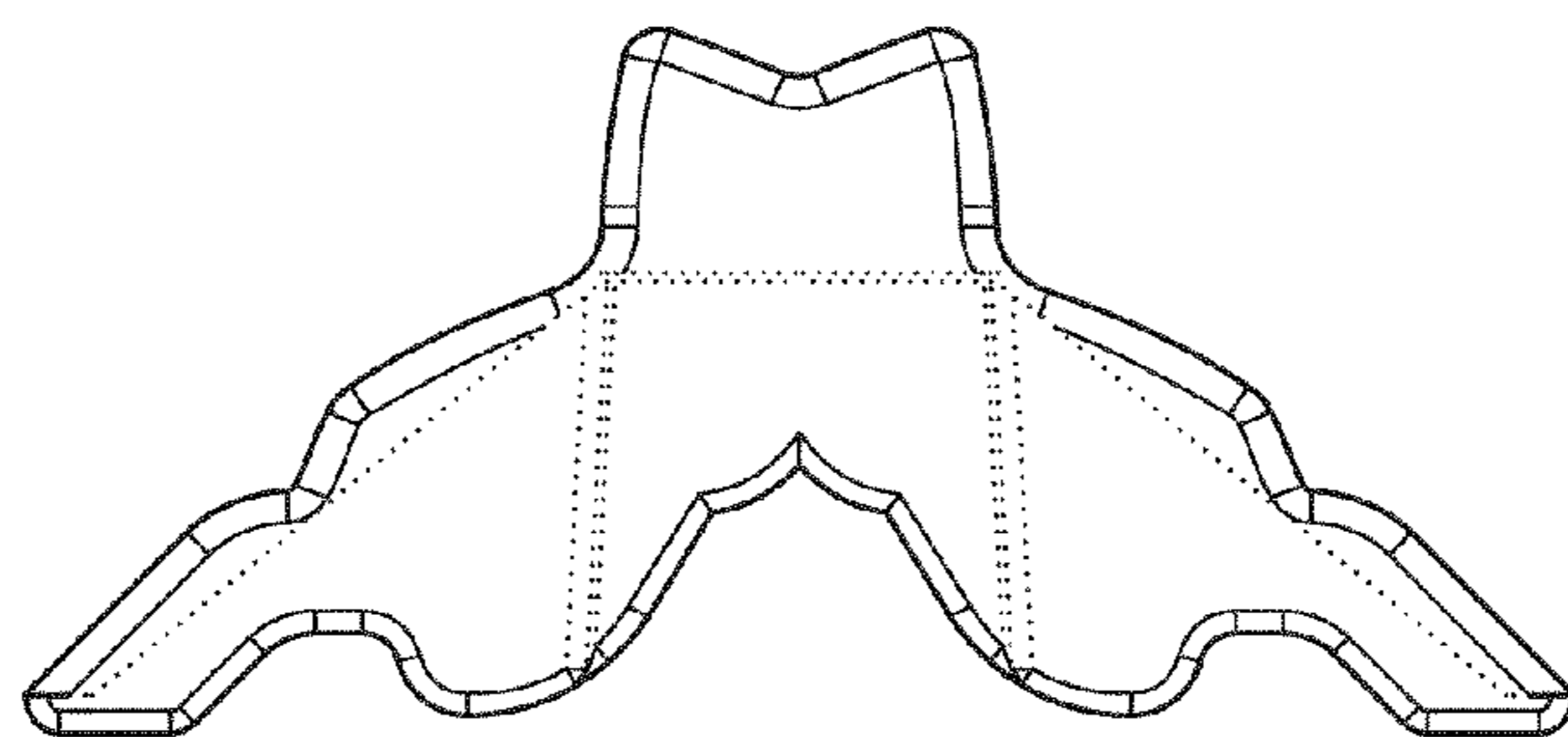


FIG. 3

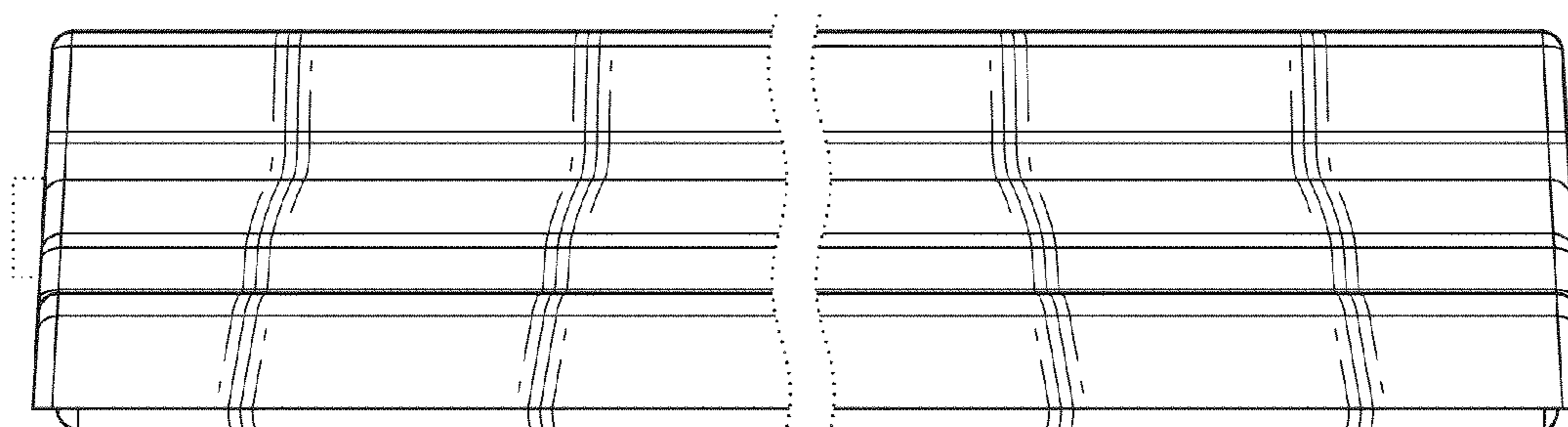


FIG. 4