



US00D643147S

(12) **United States Design Patent**
Guercio et al.

(10) **Patent No.:** **US D643,147 S**

(45) **Date of Patent:** **** Aug. 9, 2011**

(54) **LED FLOOD LIGHT**

(75) Inventors: **Vincenzo Guercio**, Wallkill, NY (US);
Wengang Gao, Ningbo (CN)

(73) Assignee: **RAB Lighting, Inc.**, Northvale, NJ (US)

(**) Term: **14 Years**

(21) Appl. No.: **29/380,556**

(22) Filed: **Dec. 7, 2010**

(51) **LOC (9) Cl.** **26-99**

(52) **U.S. Cl.** **D26/118**

(58) **Field of Classification Search** D26/118,
D26/138, 2, 24, 26, 28, 37, 74, 142, 152,
D26/63, 68, 140, 80, 76, 78, 72, 92, 113,
D26/119, 120, 121, 122, 123, 124, 128, 129,
D26/130, 145, 147, 153, 154, 155, 65, 71,
D26/85, 88, 89, 90, 84, 75, 107, 87; 362/394,
362/364, 365, 147, 418, 293, 362, 326, 290,
362/249.01-249.11, 148, 396, 287, 275,
362/276; 250/342, 347; D25/123, 138; 439/111,
439/121, 122, 119, 120; D13/134, 179, 180,
D13/133

See application file for complete search history.

(56) **References Cited**

U.S. PATENT DOCUMENTS

D203,865 S *	2/1966	Cooper	D26/63
D360,962 S *	8/1995	Cornell et al.	D26/67
D407,836 S *	4/1999	Leen	D26/63
D420,458 S *	2/2000	Guercio	D26/63
D545,471 S *	6/2007	Guercio	D26/63
D545,472 S *	6/2007	Guercio	D26/63

D545,987 S *	7/2007	Guercio	D26/63
D547,477 S *	7/2007	Guercio	D26/63
D550,387 S *	9/2007	Guercio	D26/63
D550,392 S *	9/2007	Guercio	D26/92
D550,877 S *	9/2007	Mullen	D26/63
D552,282 S *	10/2007	Guercio	D26/63
D552,283 S *	10/2007	Guercio	D26/63
D561,370 S *	2/2008	Sandell	D26/63
D565,223 S *	3/2008	Guercio	D26/63
D574,102 S *	7/2008	Quiogue et al.	D26/63
D618,374 S *	6/2010	Guercio	D26/63
D629,550 S *	12/2010	Sandell	D26/63

* cited by examiner

Primary Examiner — Cathron Brooks

Assistant Examiner — Kevin Rudzinski

(74) *Attorney, Agent, or Firm* — Stewart & Irwin, P.C.;
Dennis S. Schell

(57) **CLAIM**

The ornamental design for a LED flood light, as shown and described.

DESCRIPTION

FIG. 1 is a front perspective view of the new design;

FIG. 2 is a front view thereof;

FIG. 3 is a left side view thereof;

FIG. 4 is a right side view thereof;

FIG. 5 is a rear view thereof;

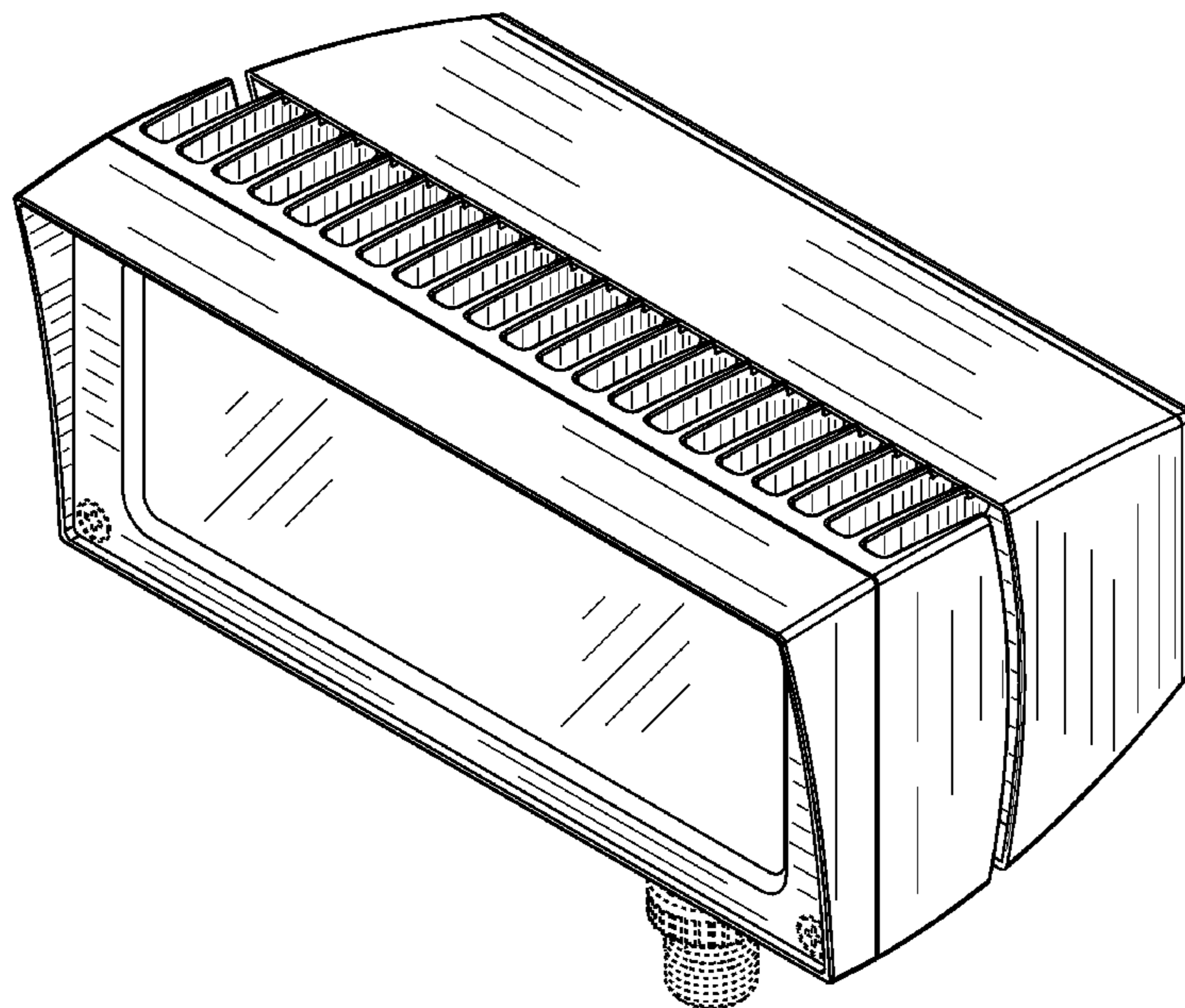
FIG. 6 is a top view thereof;

FIG. 7 is a bottom view thereof; and,

FIG. 8 is a rear perspective view thereof.

The broken lines shown in the drawings are for the purpose of illustrating aspects that form no part of the claimed design.

1 Claim, 8 Drawing Sheets



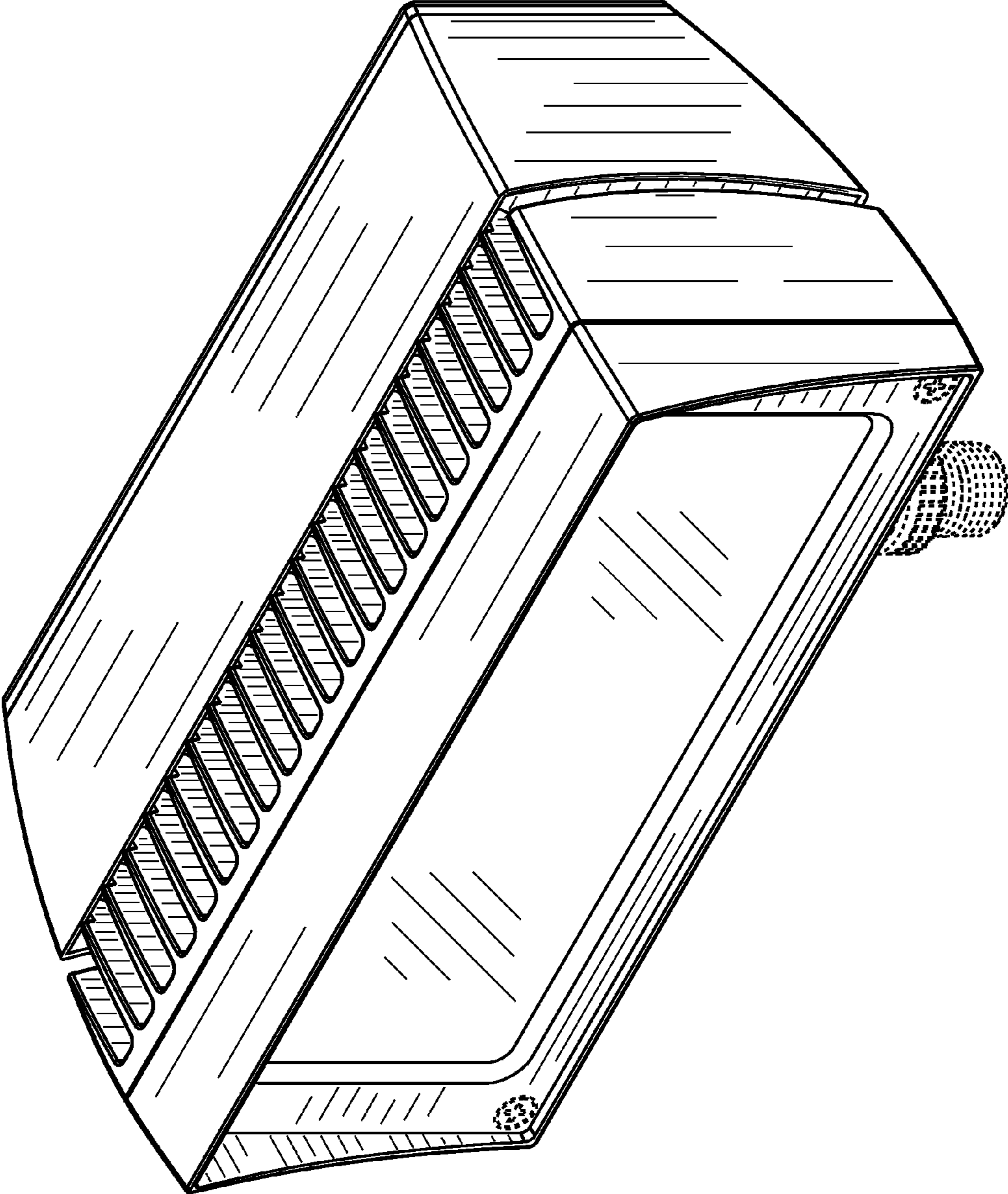


Fig. 1

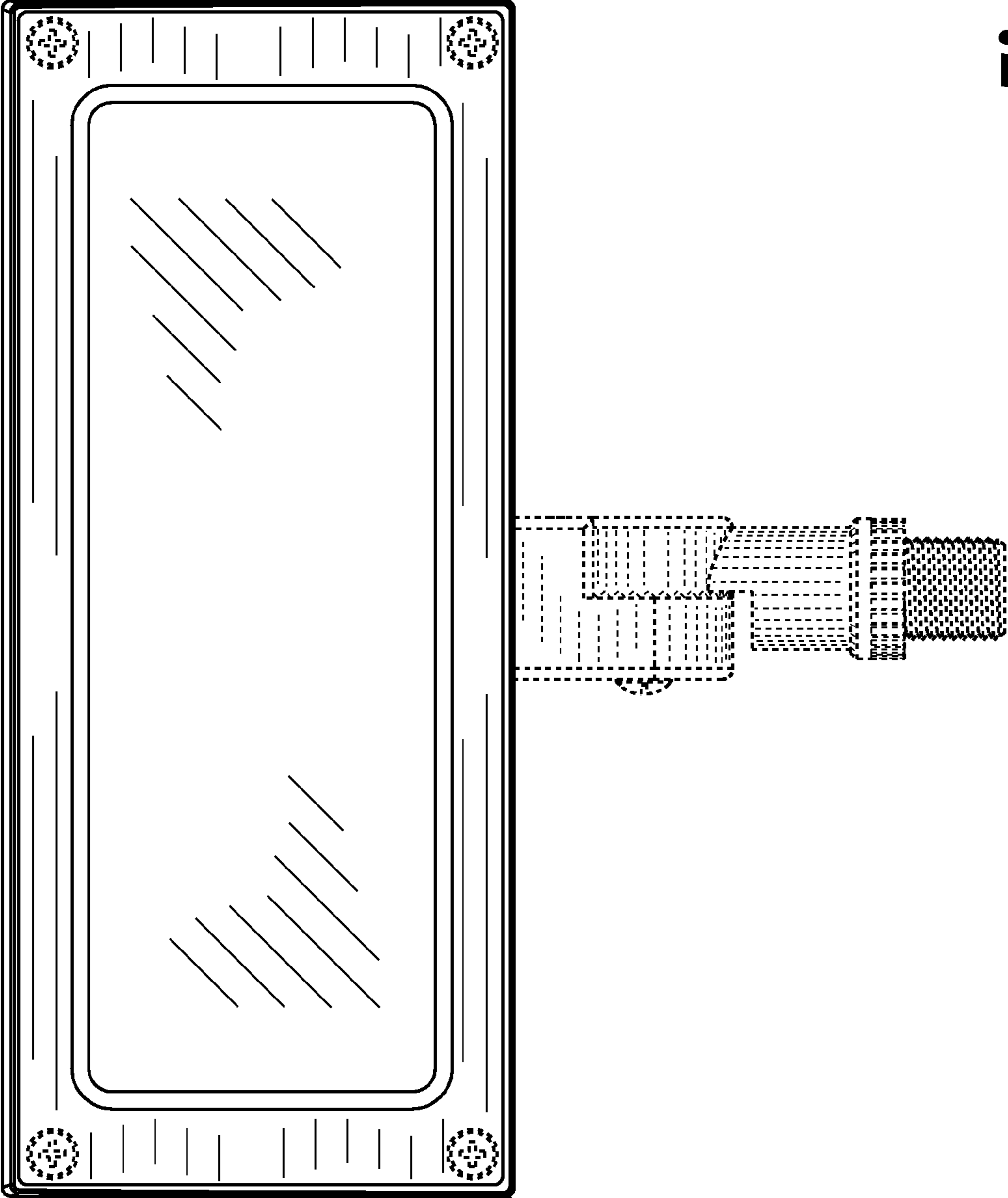


Fig. 2

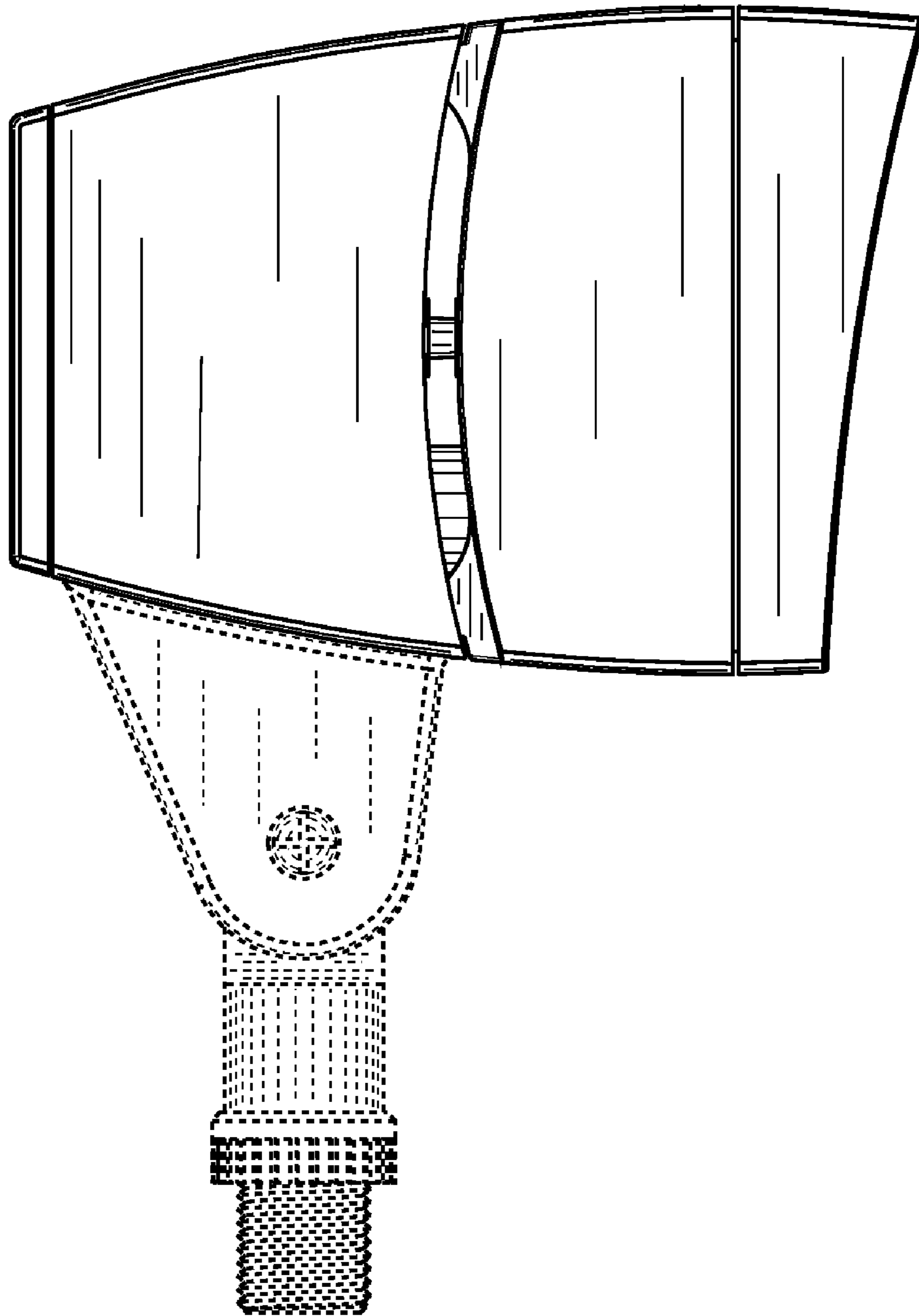


Fig. 3

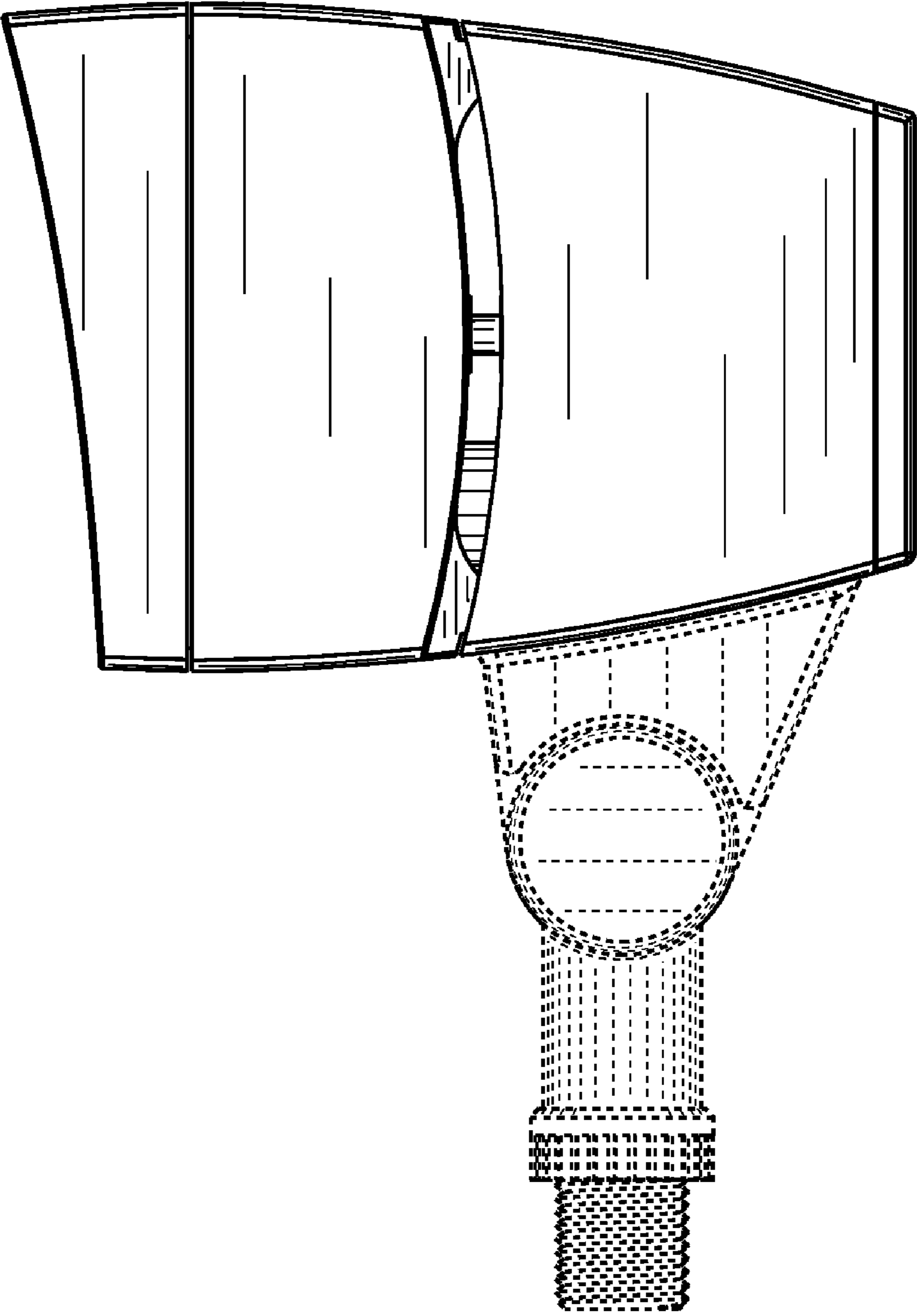


Fig. 4

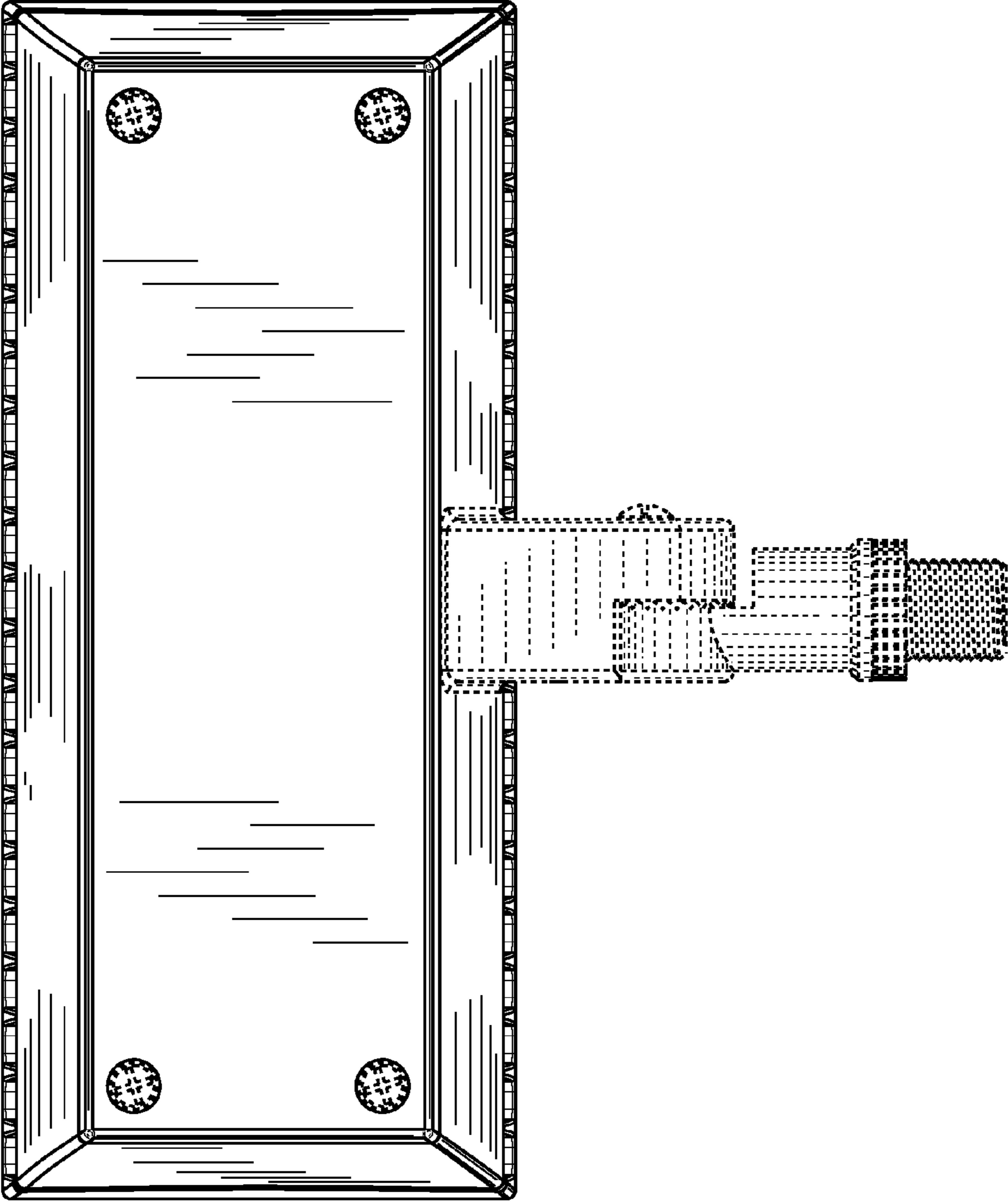


Fig. 5

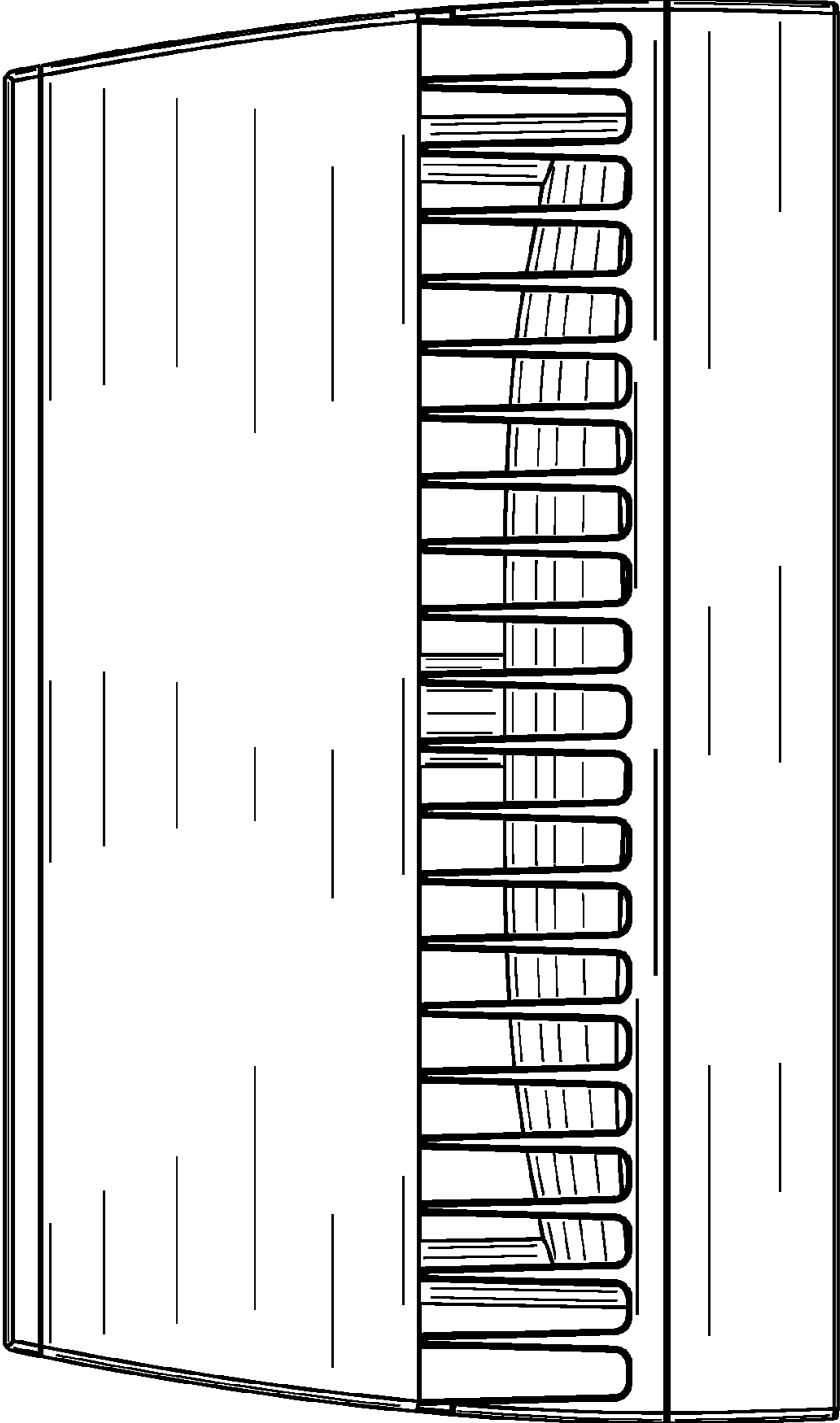


Fig. 6

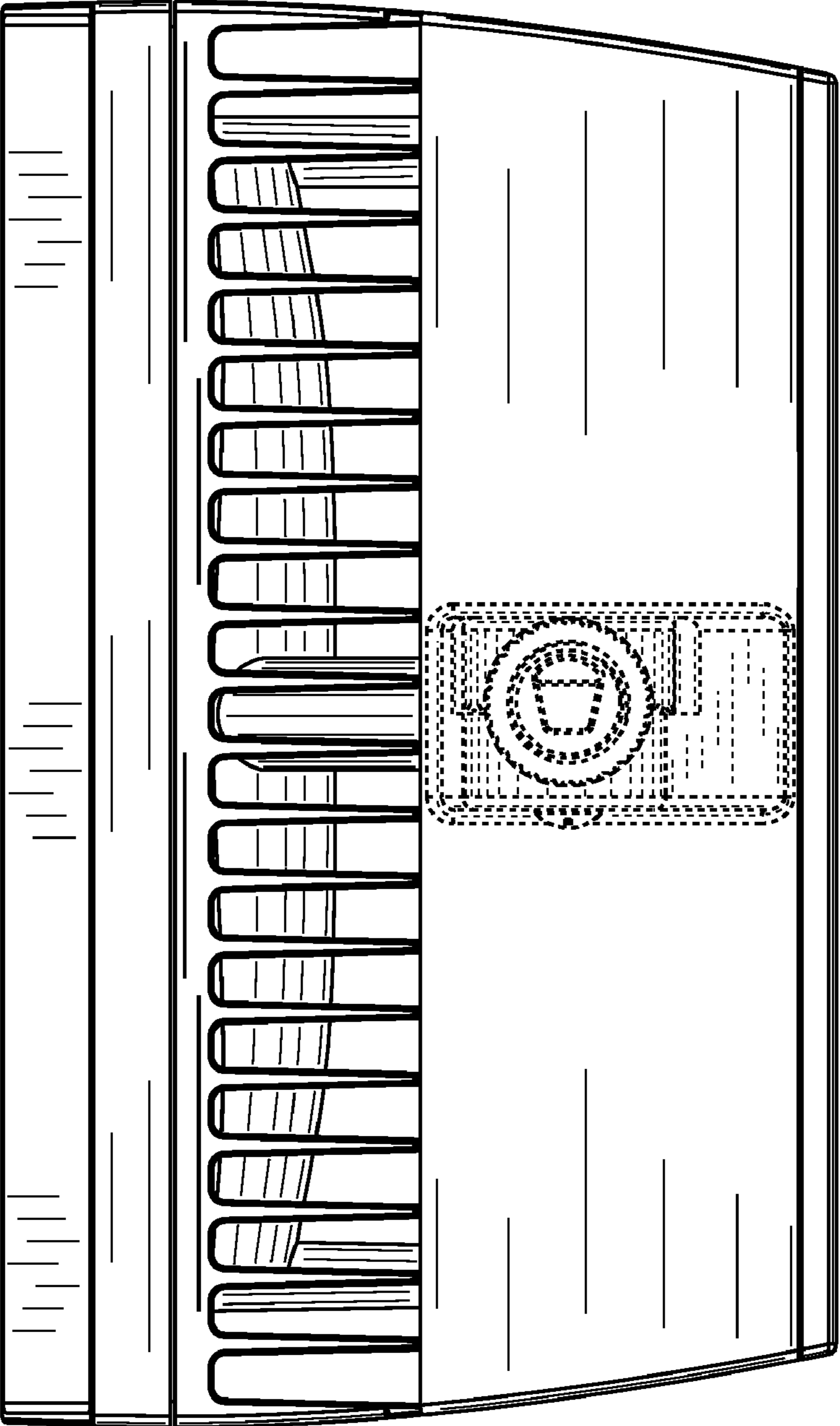


Fig. 7

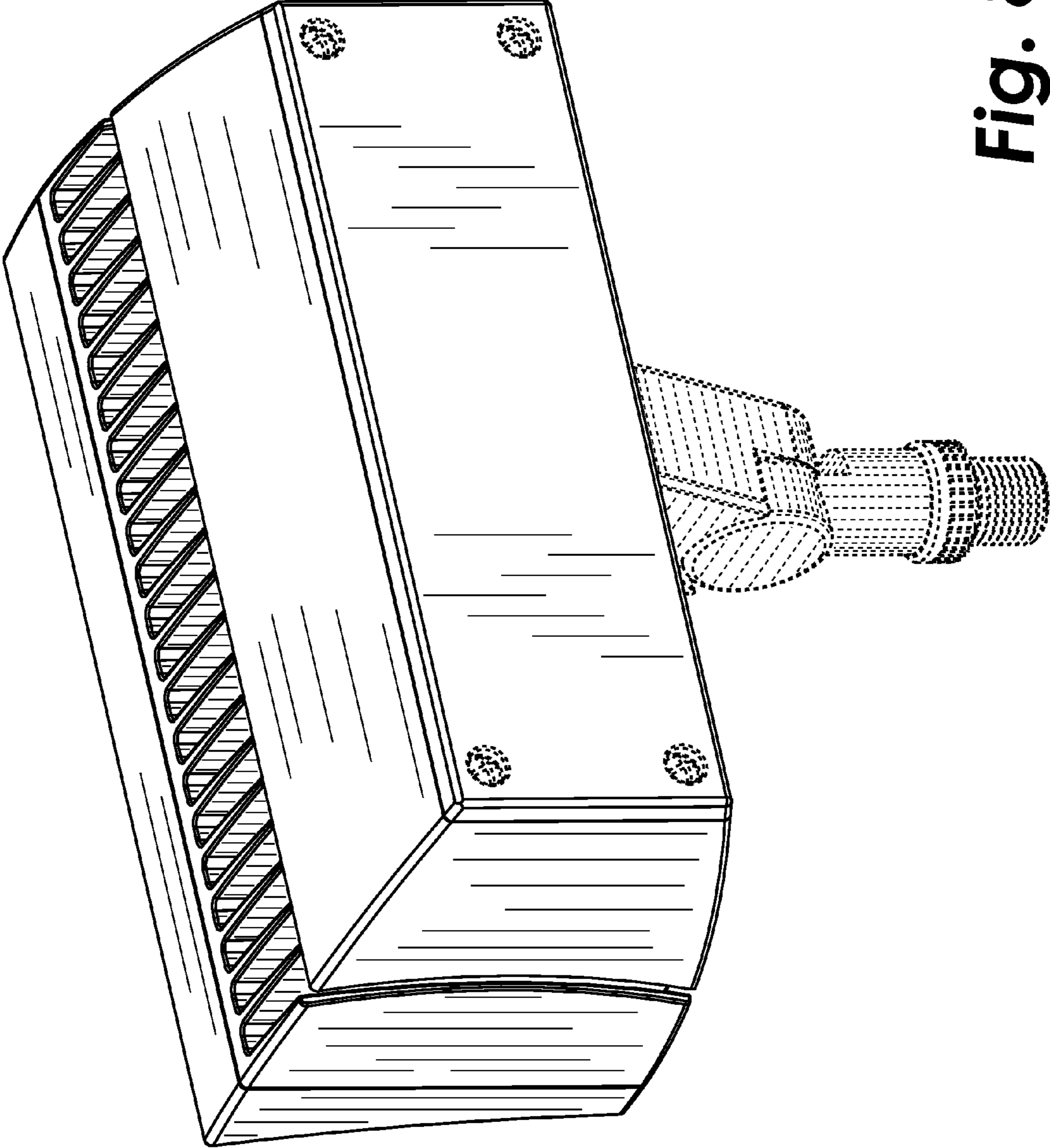


Fig. 8