



US00D643146S

(12) **United States Design Patent**
Lewis

(10) **Patent No.:** **US D643,146 S**

(45) **Date of Patent:** **** Aug. 9, 2011**

(54) **LAMP**

(76) Inventor: **Sally Sirkin Lewis**, Beverly Hills, CA
(US)

(**) Term: **14 Years**

(21) Appl. No.: **29/376,650**

(22) Filed: **Oct. 8, 2010**

(51) **LOC (9) Cl.** **26-03**

(52) **U.S. Cl.** **D26/93**

(58) **Field of Classification Search** D26/1,
D26/24, 67-6, 93-94, 101, 104-110, 113,
D26/118; 362/3, 153, 186, 217, 255, 257,
362/277, 317, 351, 353, 362, 363, 382, 431,
362/433, 458, 806

See application file for complete search history.

(56) **References Cited**

U.S. PATENT DOCUMENTS

D442,322 S *	5/2001	Hutton	D26/106
D443,100 S *	5/2001	Wu	D26/110
D444,899 S *	7/2001	Bossy	D26/68
D459,531 S *	6/2002	Dolan	D26/106
D528,695 S *	9/2006	Salatto-Rose	D26/93
D600,395 S *	9/2009	Salatto-Rose	D26/93

* cited by examiner

Primary Examiner — Brian N Vinson

(74) *Attorney, Agent, or Firm* — Cox Smith Matthews Incorporated

(57) **CLAIM**

The ornamental design for a lamp, as shown and described.

DESCRIPTION

FIG. 1 is a perspective view of the lamp of my design. The broken lines representing stitching are a part of the claimed design;

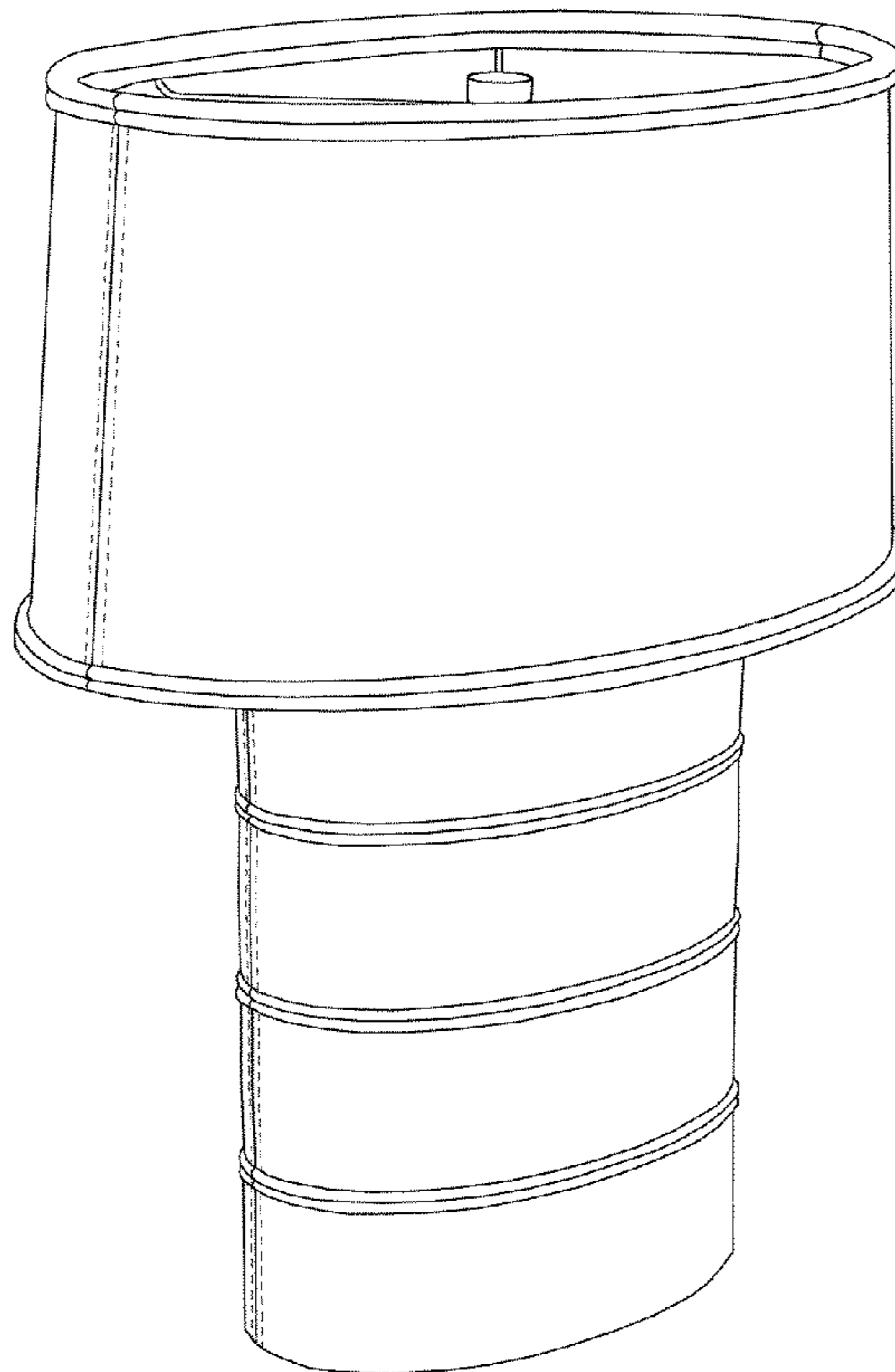
FIG. 2 is a top view of the lamp. The broken lines representing a power cord form no part of the claimed design. The broken lines representing support structure for the lamp shade form no part of the claimed design;

FIG. 3 is a front view of the lamp;

FIG. 4 is a right side view of the lamp (the left side view, being a mirror image of the right side view, is not shown). The broken lines on the side of the lamp representing stitching are a part of the claimed design. The broken lines representing a power cord form no part of the claimed design;

FIG. 5 is a bottom view of the lamp. The broken lines representing a power cord form no part of the claimed design; and, FIG. 6 is a back side view of the lamp. The broken lines representing a power cord form no part of the claimed design.

1 Claim, 3 Drawing Sheets



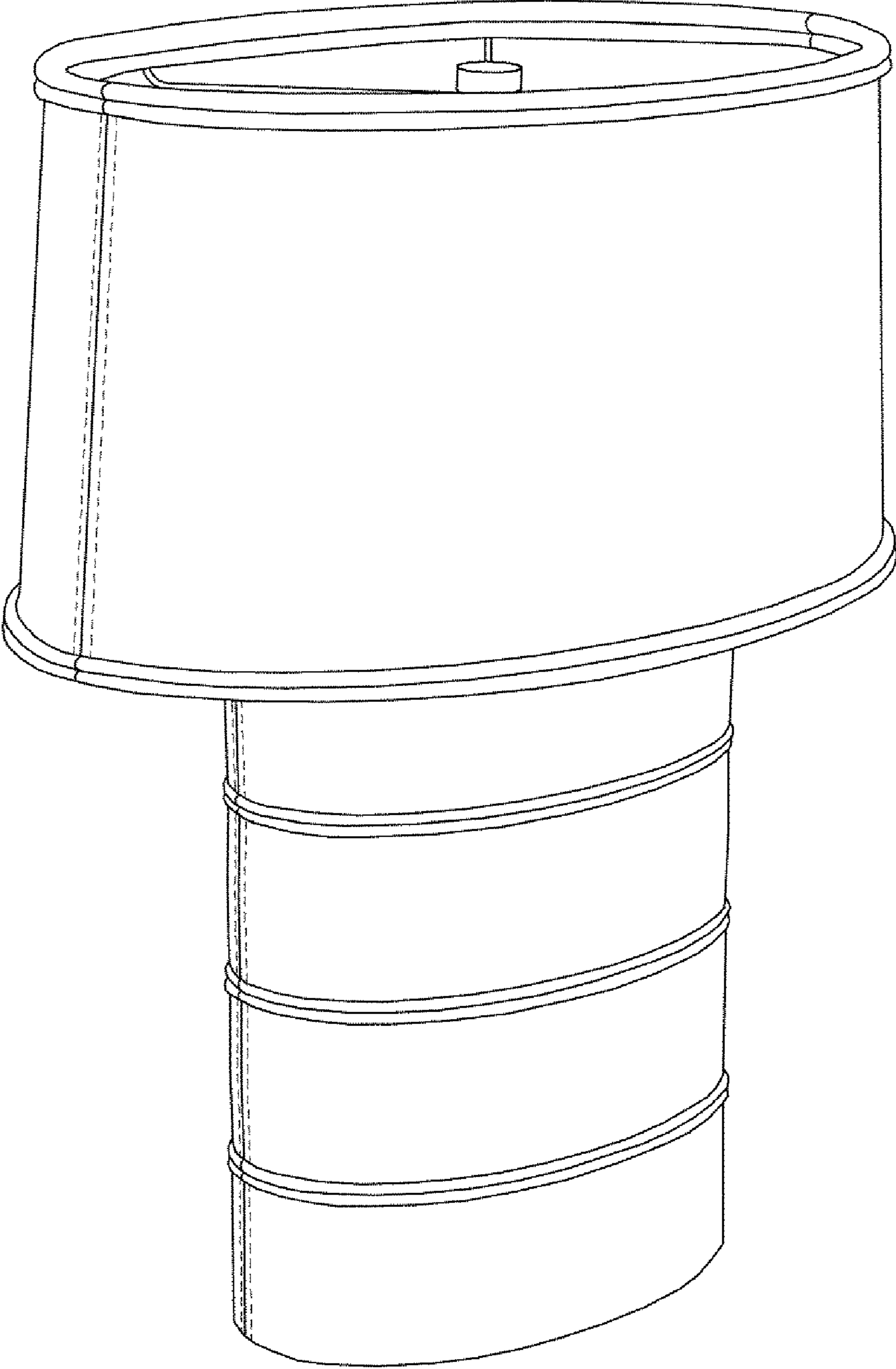


FIG. 1

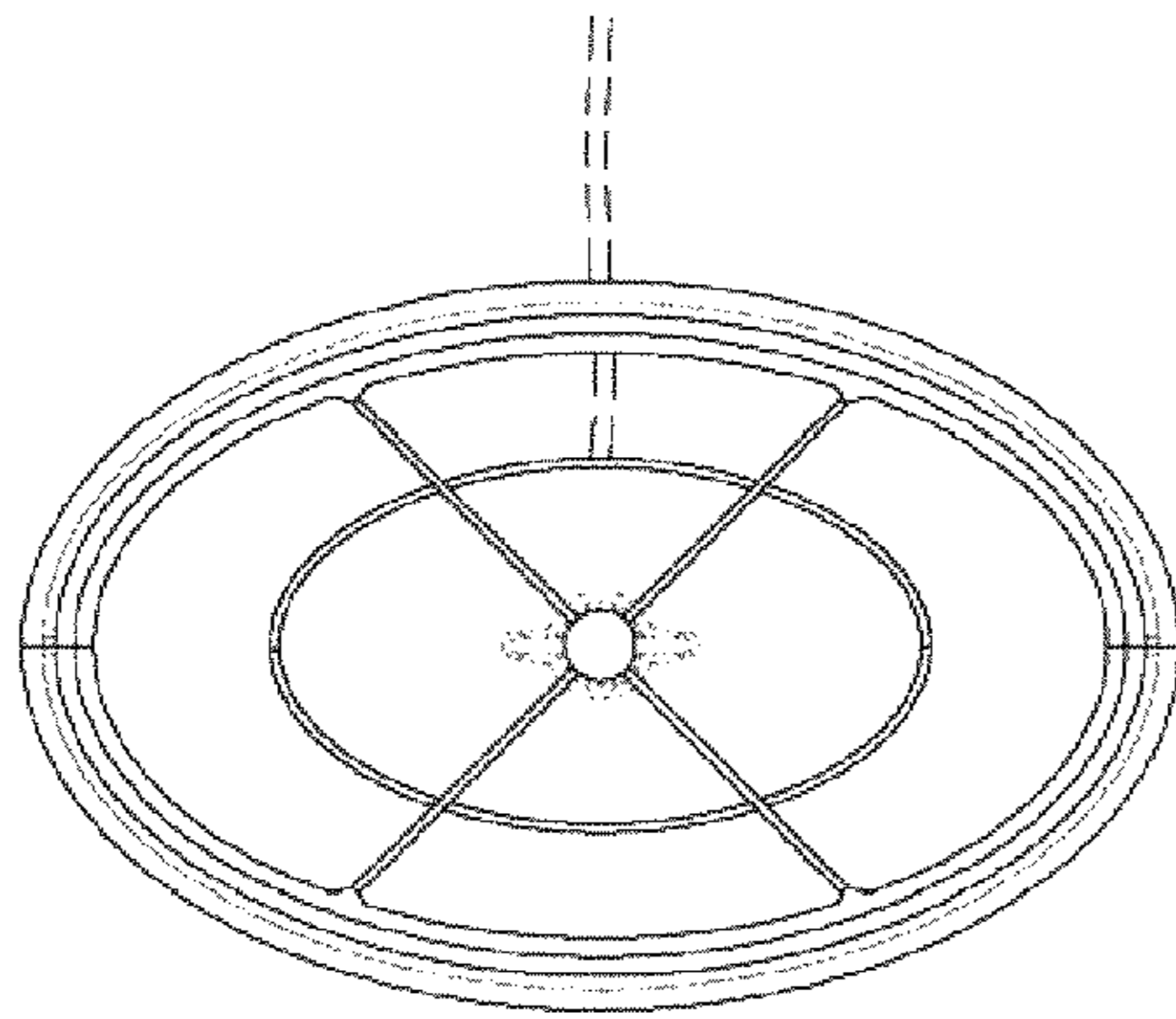


FIG. 2

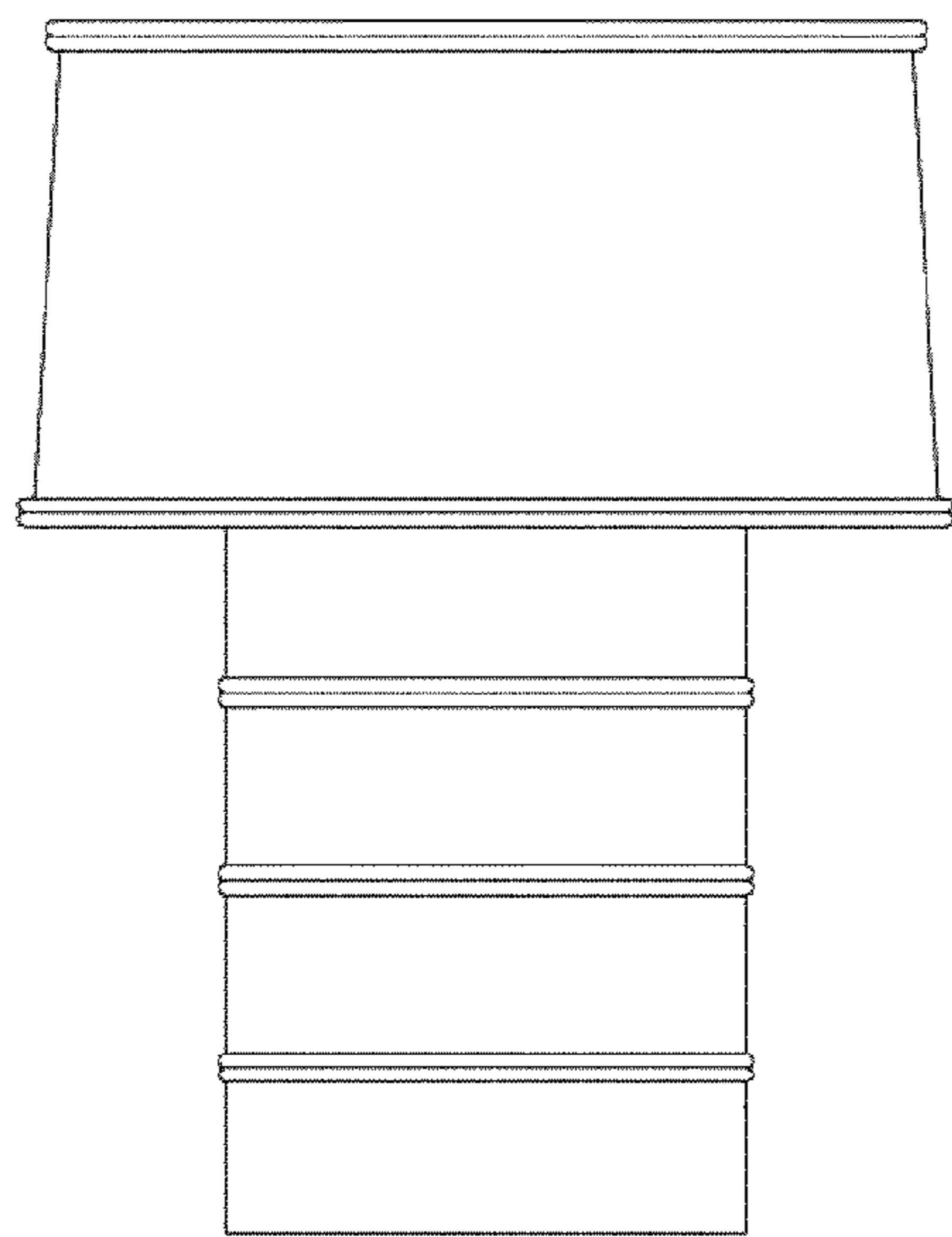


FIG. 3

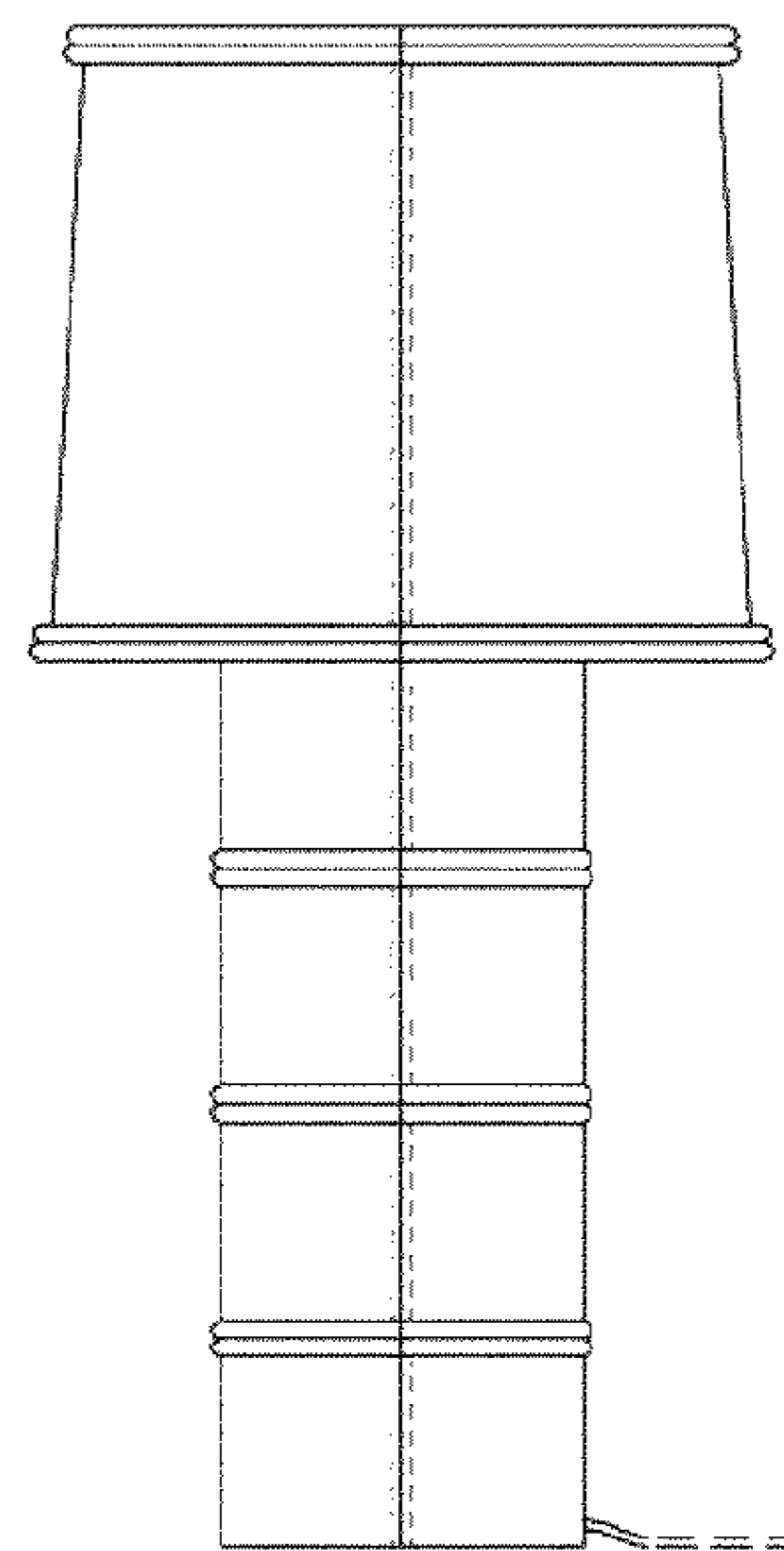


FIG. 4

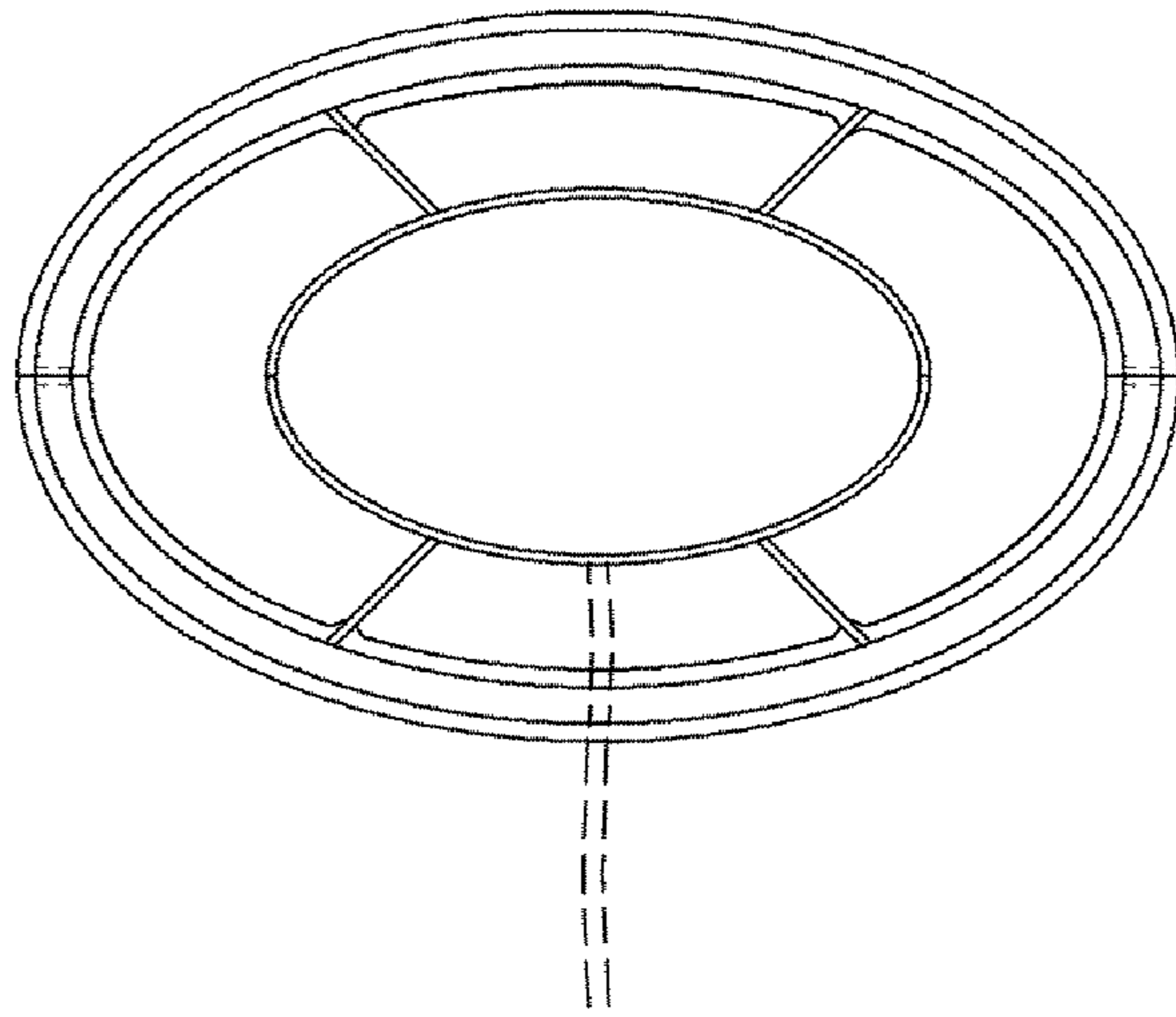


FIG. 5

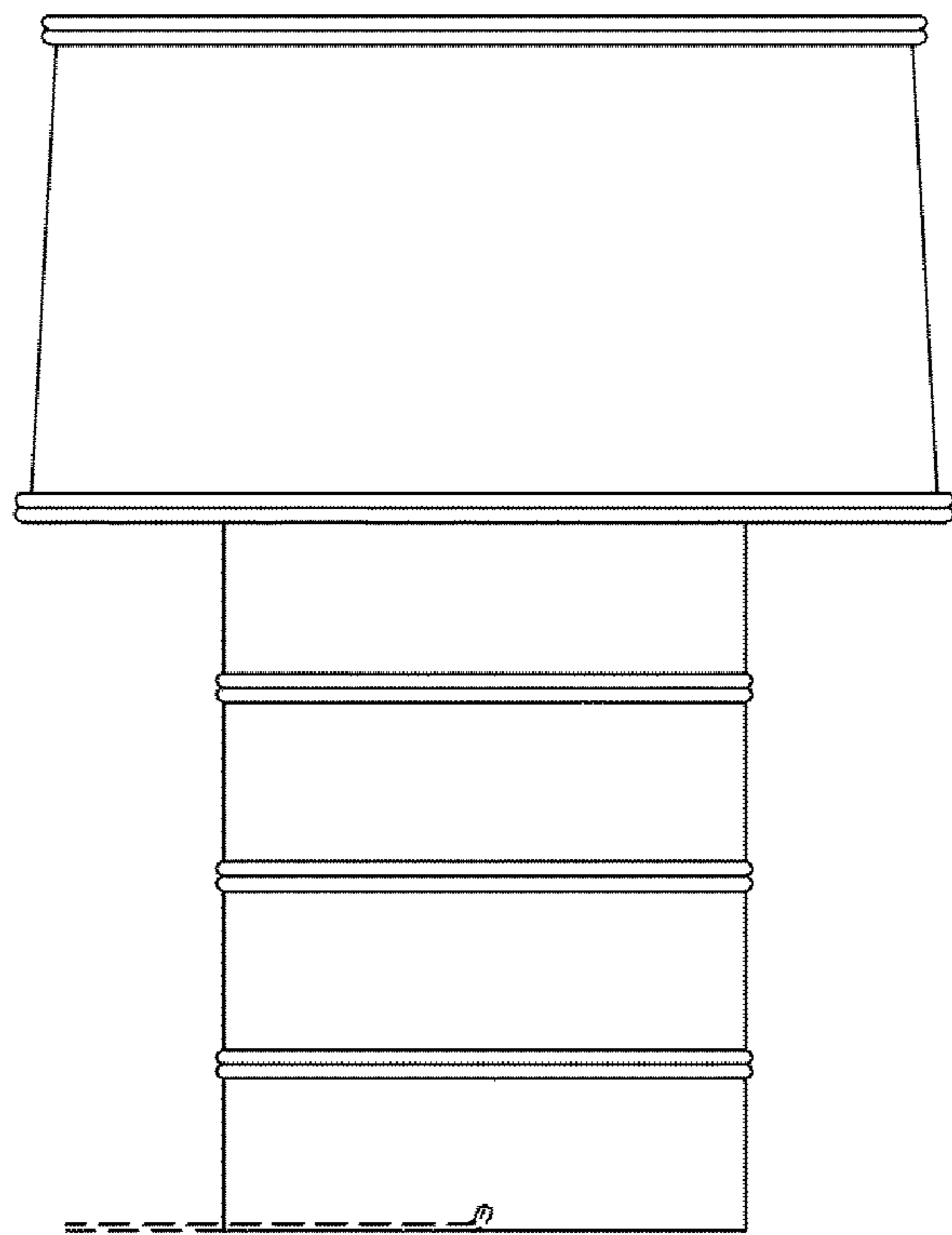


FIG. 6