



US00D643145S

(12) **United States Design Patent**
Sabernig

(10) **Patent No.:** **US D643,145 S**

(45) **Date of Patent:** **** Aug. 9, 2011**

(54) **LIGHT FIXTURE**

Primary Examiner — Brian N Vinson

(75) Inventor: **Robert Sabernig**, Munster (AT)

(74) *Attorney, Agent, or Firm* — Baker & McKenzie LLP

(73) Assignee: **EGLO Leuchten GmbH**, Innsbruck (AT)

(**) Term: **14 Years**

(57) **CLAIM**

The ornamental design for a light fixture, as shown and described.

(21) Appl. No.: **29/375,262**

(22) Filed: **Sep. 20, 2010**

DESCRIPTION

(51) **LOC (9) Cl.** **26-03**

(52) **U.S. Cl.** **D26/93**

(58) **Field of Classification Search** D26/1,
D26/24, 67-6, 93-94, 101, 104-110, 113;
362/3, 153, 186, 217, 255, 257, 277, 317,
362/351, 353, 362, 363, 382, 431, 433, 458,
362/806

See application file for complete search history.

FIG. 1 is a perspective view of a light fixture showing my new design;

FIG. 2 is side elevational view thereof, the opposite side being a mirror image of that shown;

FIG. 3 is a front elevational view thereof;

FIG. 4 is a rear elevational view thereof;

FIG. 5 is a bottom plan view thereof; and,

FIG. 6 is a top plan view thereof.

The portions of the light fixture shown broken away are understood to indicate an unclaimed length, and the broken-line disclosure of elements is understood to represent portions of the article in which the design is embodied, but which form no part of the claimed design. Features of the design include the shape and configuration of the article and the ornament applied to the article as shown in the views.

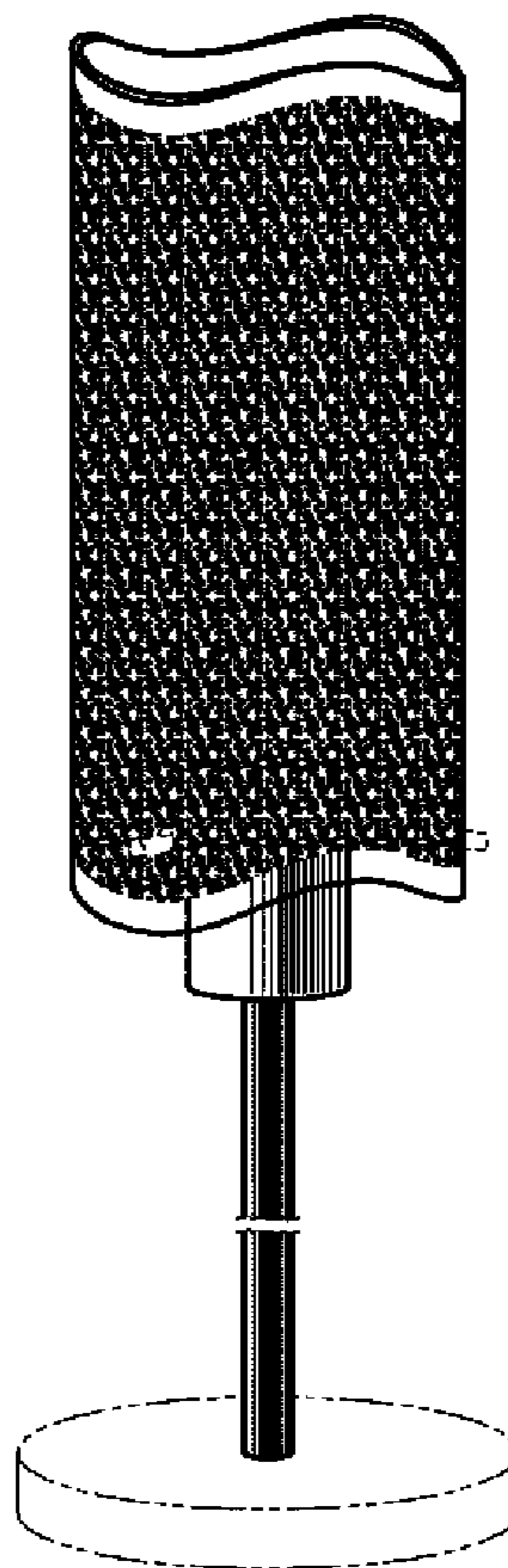
(56) **References Cited**

U.S. PATENT DOCUMENTS

D431,315 S *	9/2000	Sekine et al.	D26/93
D525,739 S *	7/2006	Wu	D26/93
D625,459 S *	10/2010	Brusemini	D26/93
D632,825 S *	2/2011	Sabernig	D26/93
D632,826 S *	2/2011	Sabernig	D26/93

* cited by examiner

1 Claim, 1 Drawing Sheet



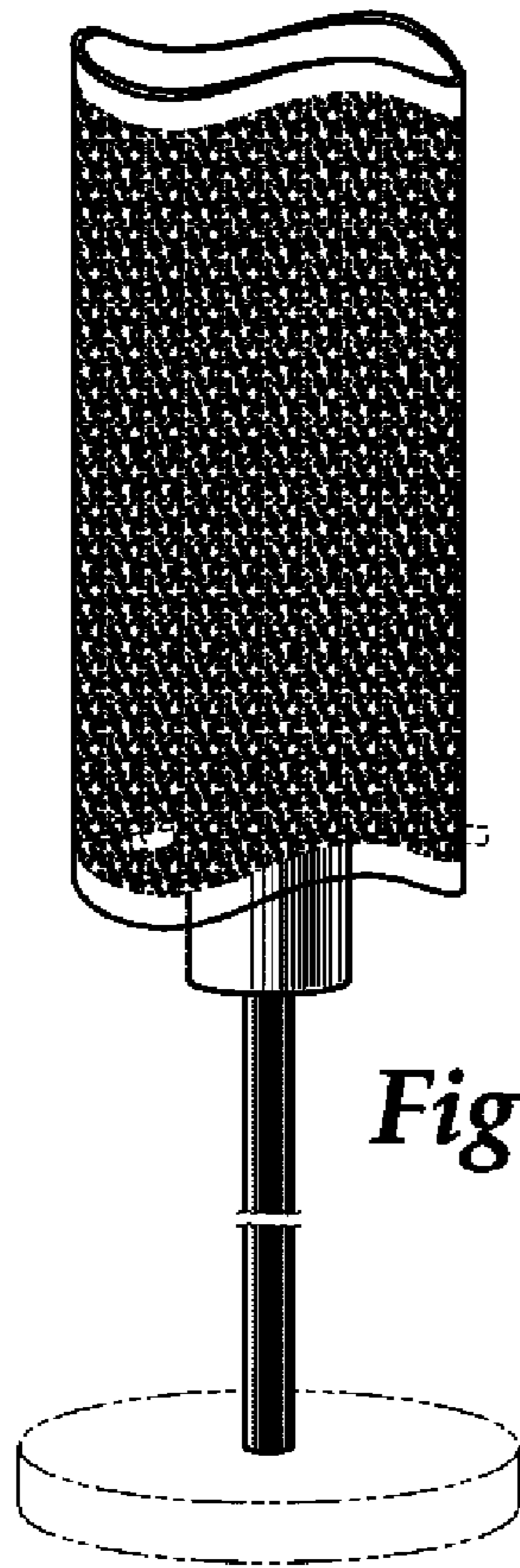


Fig.1

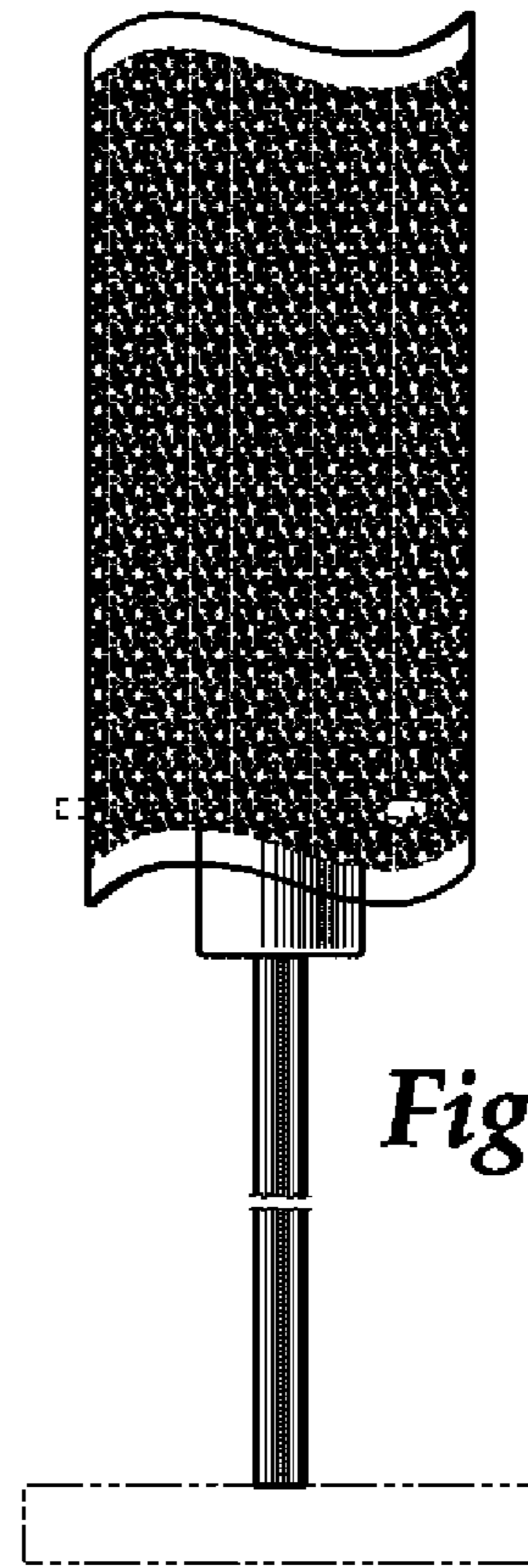


Fig.2

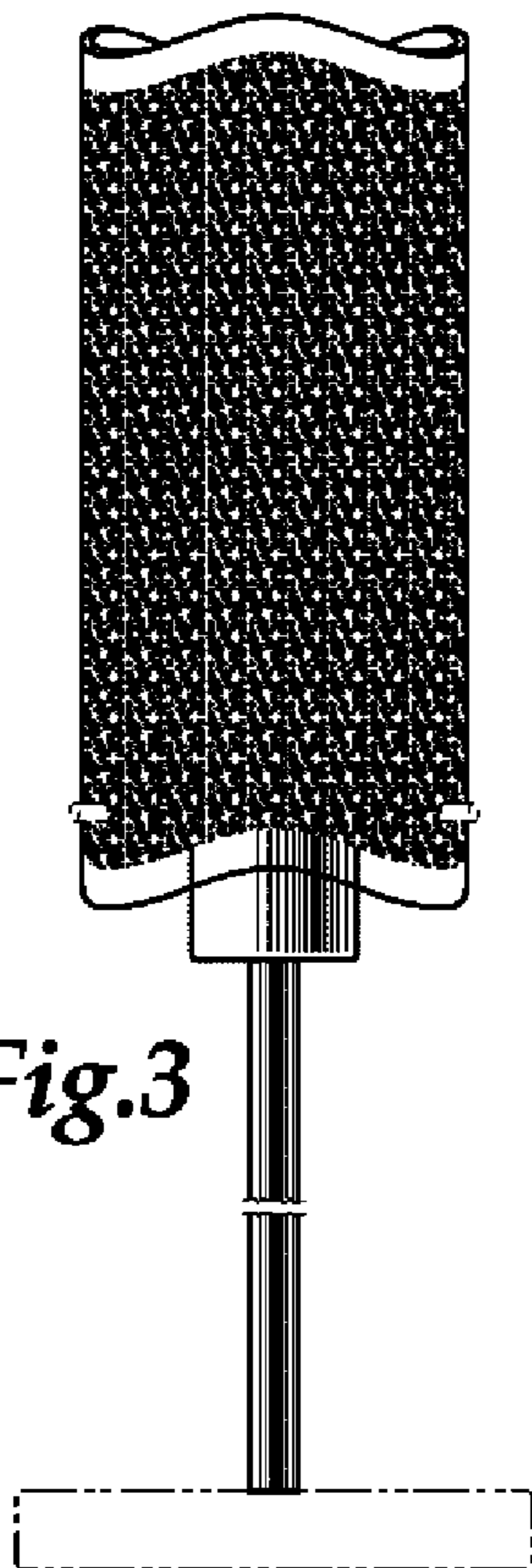


Fig.3

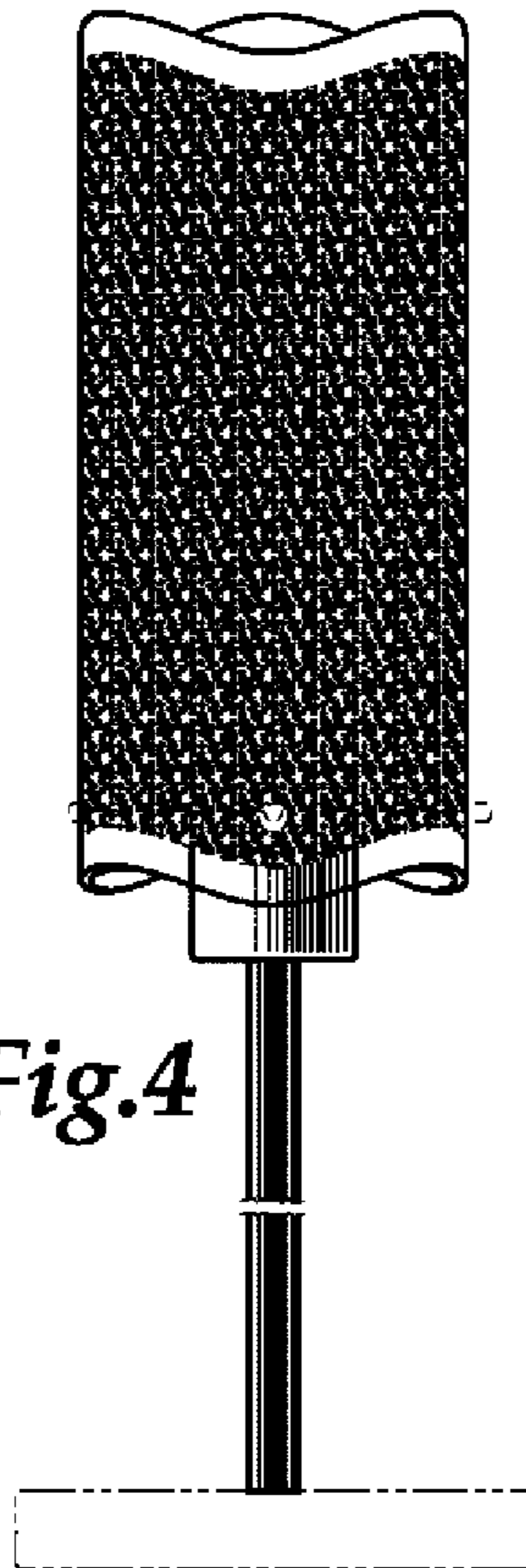


Fig.4

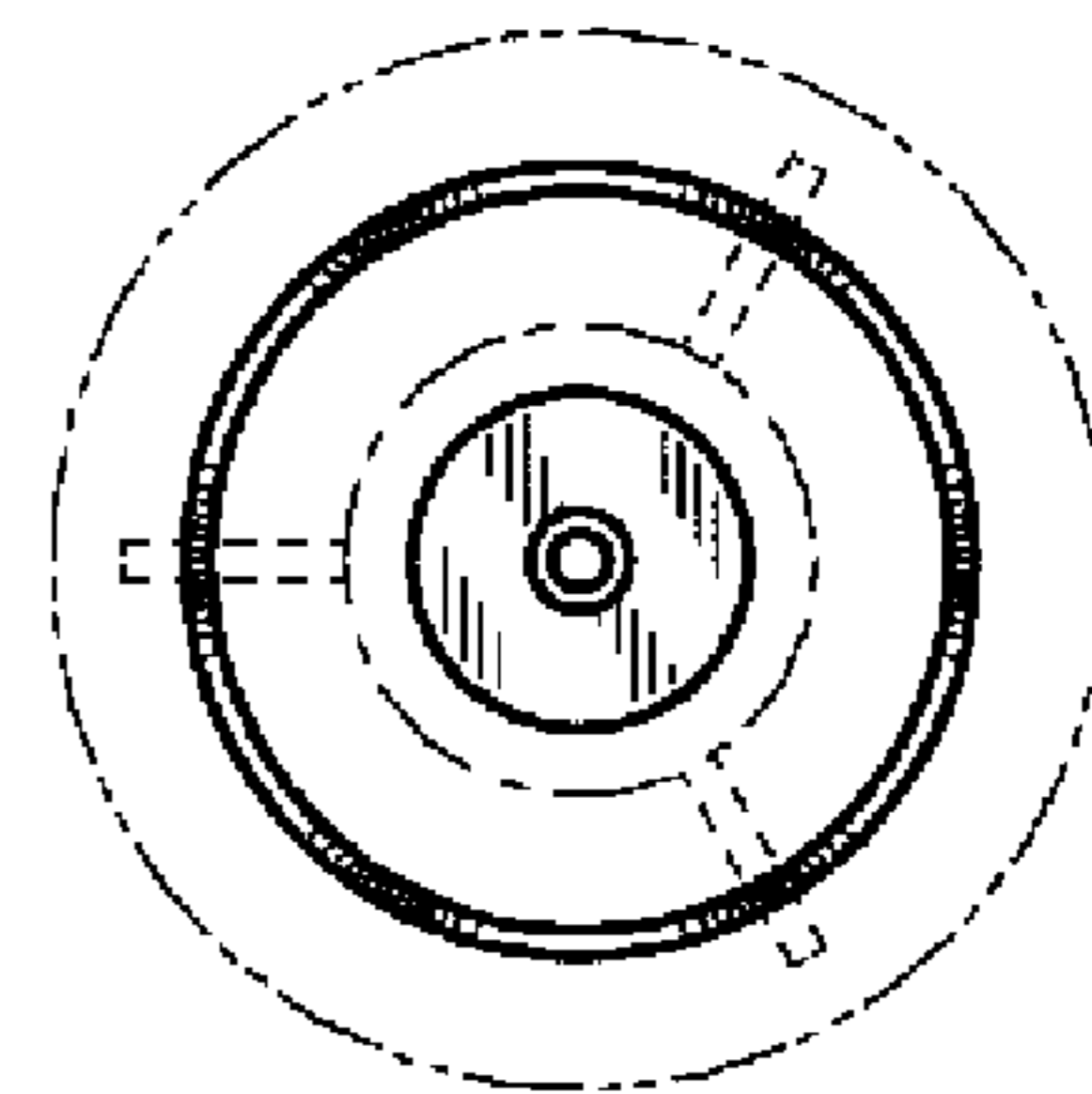


Fig.5

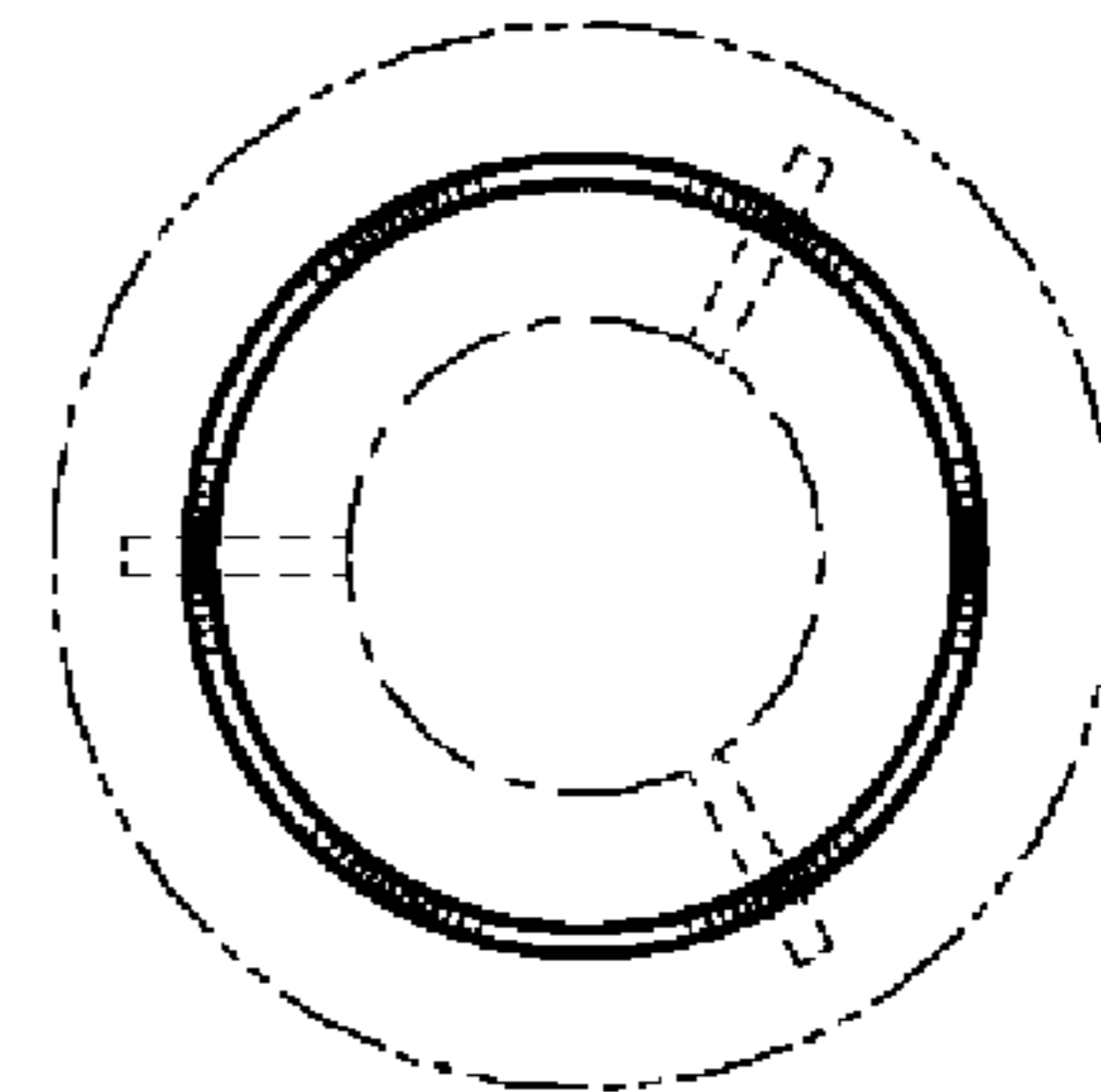


Fig.6