



US00D643144S

(12) **United States Design Patent**  
**Waldmann**

(10) **Patent No.:** **US D643,144 S**

(45) **Date of Patent:** **\*\* Aug. 9, 2011**

(54) **FLOOR LAMP**

(75) **Inventor:** **Gerhard Waldmann**, Stein am Rhein  
(CH)

(73) **Assignee:** **Herbert Waldmann GmbH & Co. KG**,  
Villengen-Schwenningen (DE)

(\*\*) **Term:** **14 Years**

(21) **Appl. No.:** **29/368,100**

(22) **Filed:** **Aug. 18, 2010**

(30) **Foreign Application Priority Data**

Mar. 11, 2010 (DE) ..... 40 2010 001 398

(51) **LOC (9) Cl.** ..... **26-03**

(52) **U.S. Cl.** ..... **D26/93**

(58) **Field of Classification Search** ..... D26/24,  
D26/26, 67, 93, 104, 105, 106, 110, 118;  
362/3, 153, 186, 217, 255, 257, 277, 317,  
362/351, 353, 362, 363, 382, 431, 433, 458,  
362/806

See application file for complete search history.

(56) **References Cited**

U.S. PATENT DOCUMENTS

D410,560 S *	6/1999	Bezborodko	.....	D26/110
D468,854 S *	1/2003	Chen	.....	D26/93
D469,563 S *	1/2003	Irvine	.....	D26/108
D580,090 S *	11/2008	Kubler	.....	D26/105
D588,302 S *	3/2009	Chen	.....	D26/93

\* cited by examiner

*Primary Examiner* — Brian N Vinson

(74) *Attorney, Agent, or Firm* — Andrew F. Young, Esq.;  
Lackenbach Siegel, LLP

(57) **CLAIM**

The ornamental design for a floor lamp, as shown and described.

**DESCRIPTION**

FIG. 1 is a front perspective view of a floor lamp showing my new design;

FIG. 2 is a left side elevational view thereof;

FIG. 3 is a front elevational view thereof;

FIG. 4 is a right side elevational view thereof;

FIG. 5 is a rear elevational view thereof;

FIG. 6 is a top plan view thereof; and,

FIG. 7 is a bottom plan view thereof.

The broken-line disclosure is understood to represent a portion of the article in which the claimed design is embodied, but which forms no part of the claimed design.

**1 Claim, 6 Drawing Sheets**

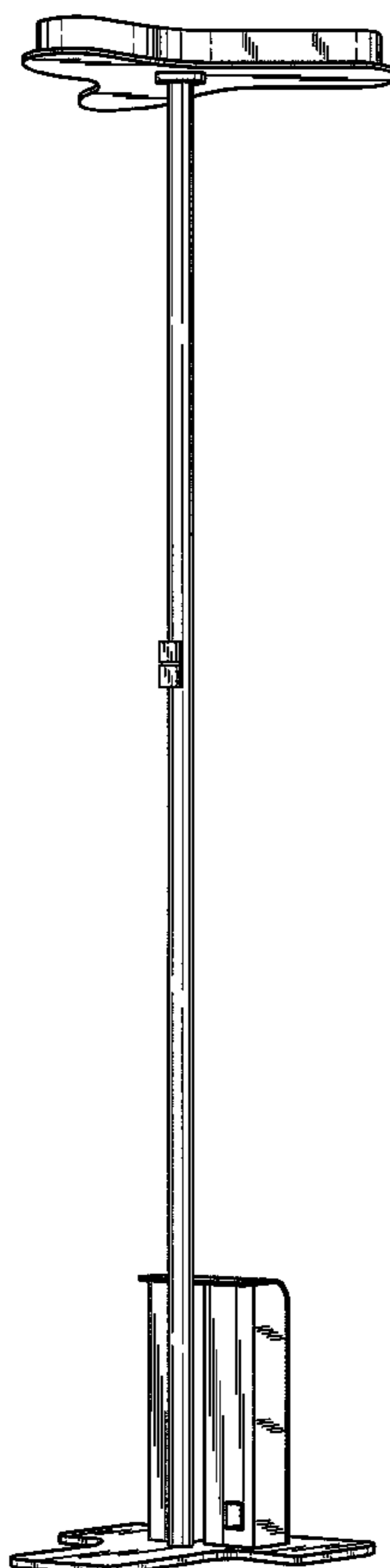


Fig. 1

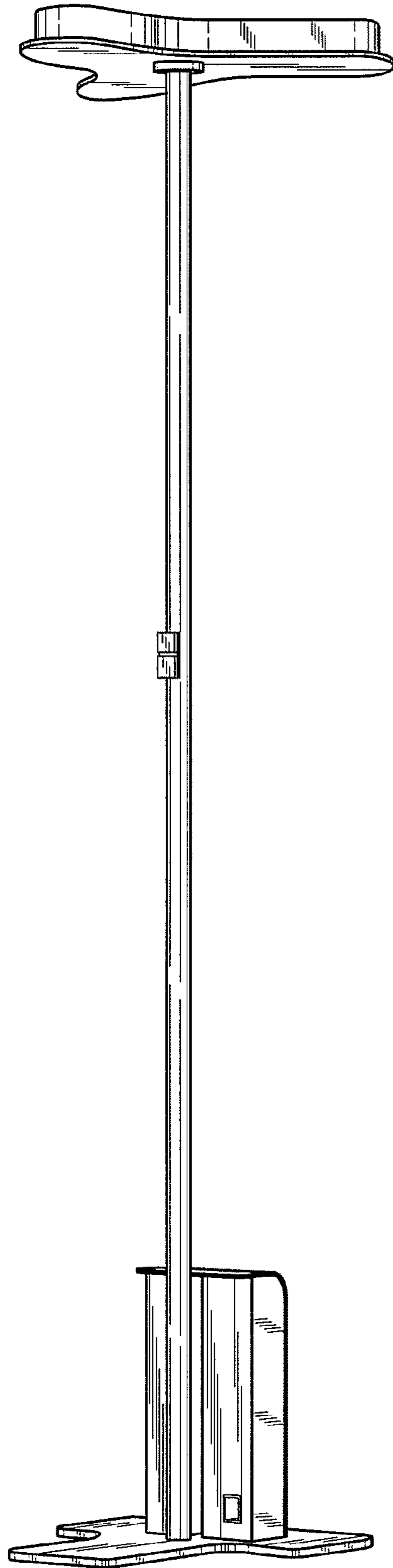


Fig. 2

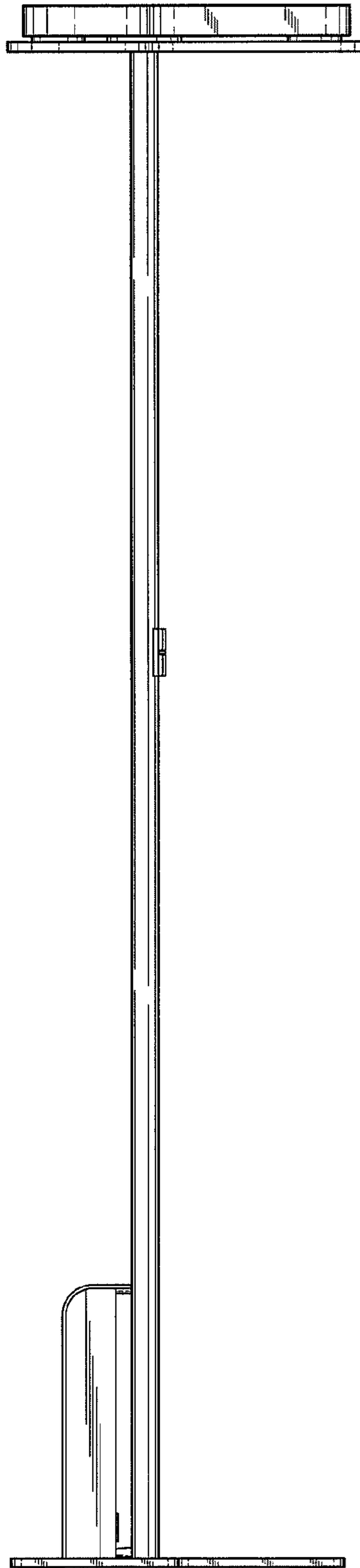


Fig. 3

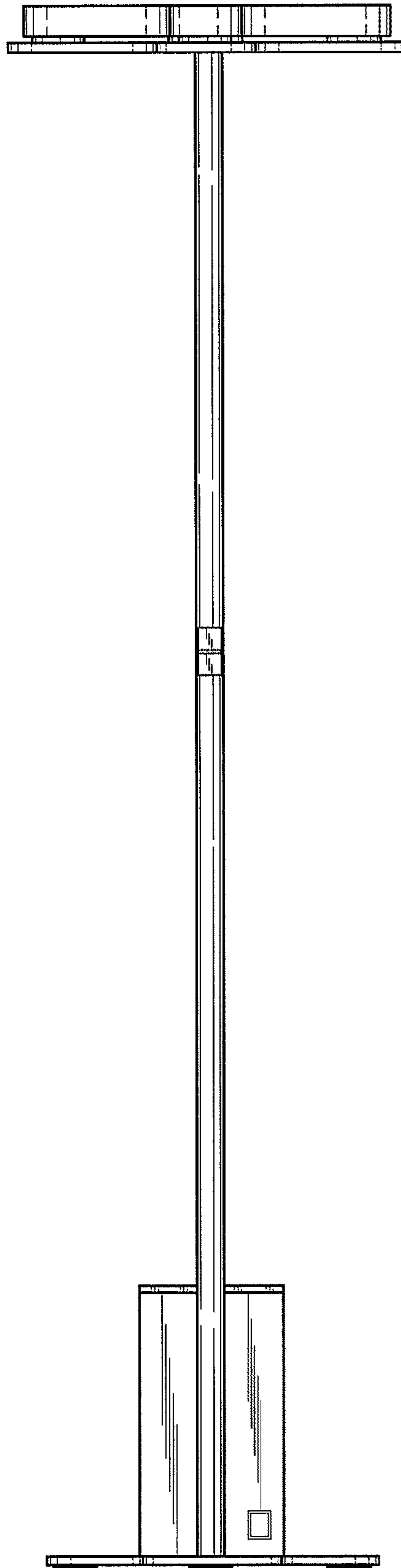


Fig. 4

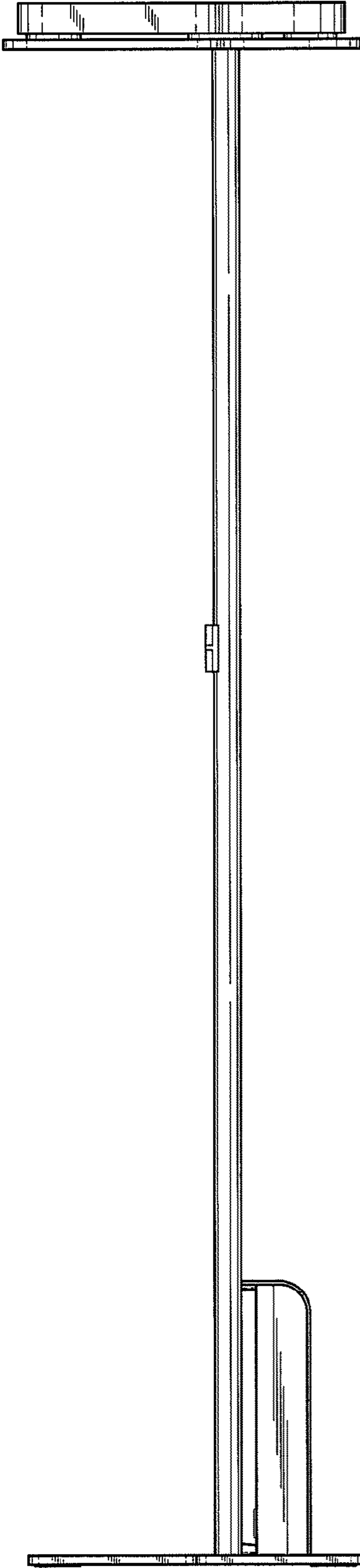
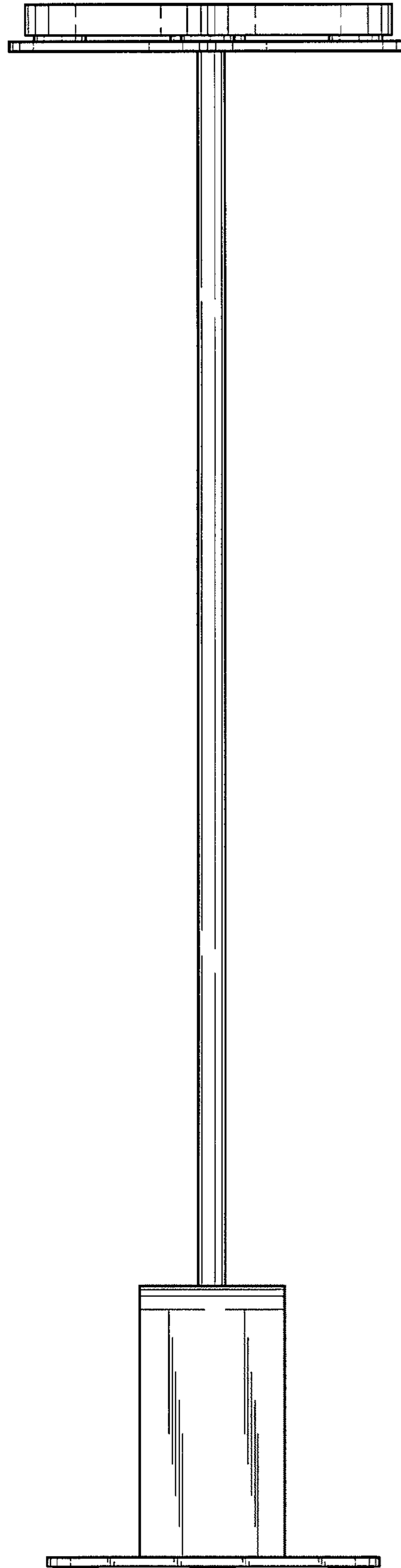
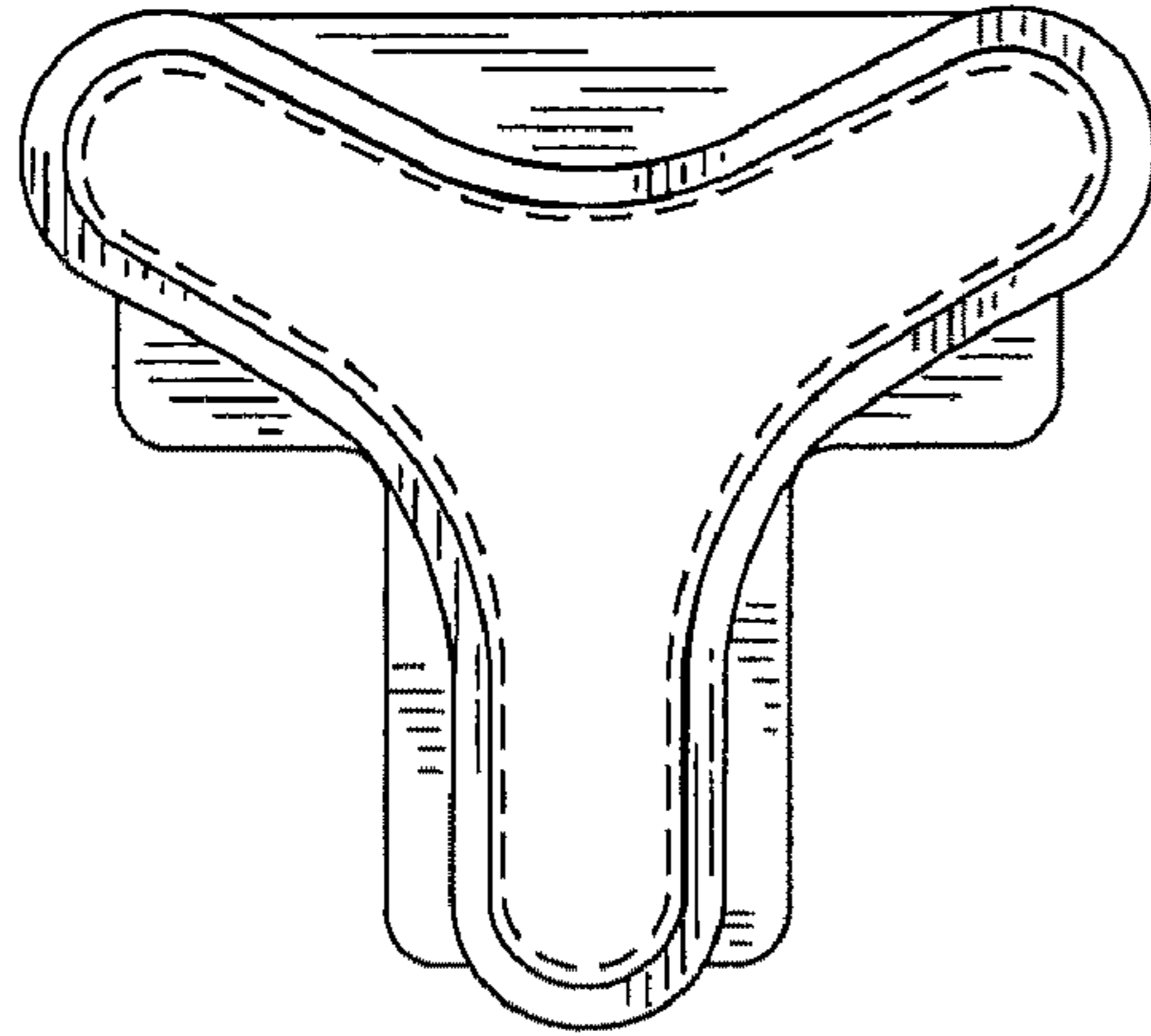


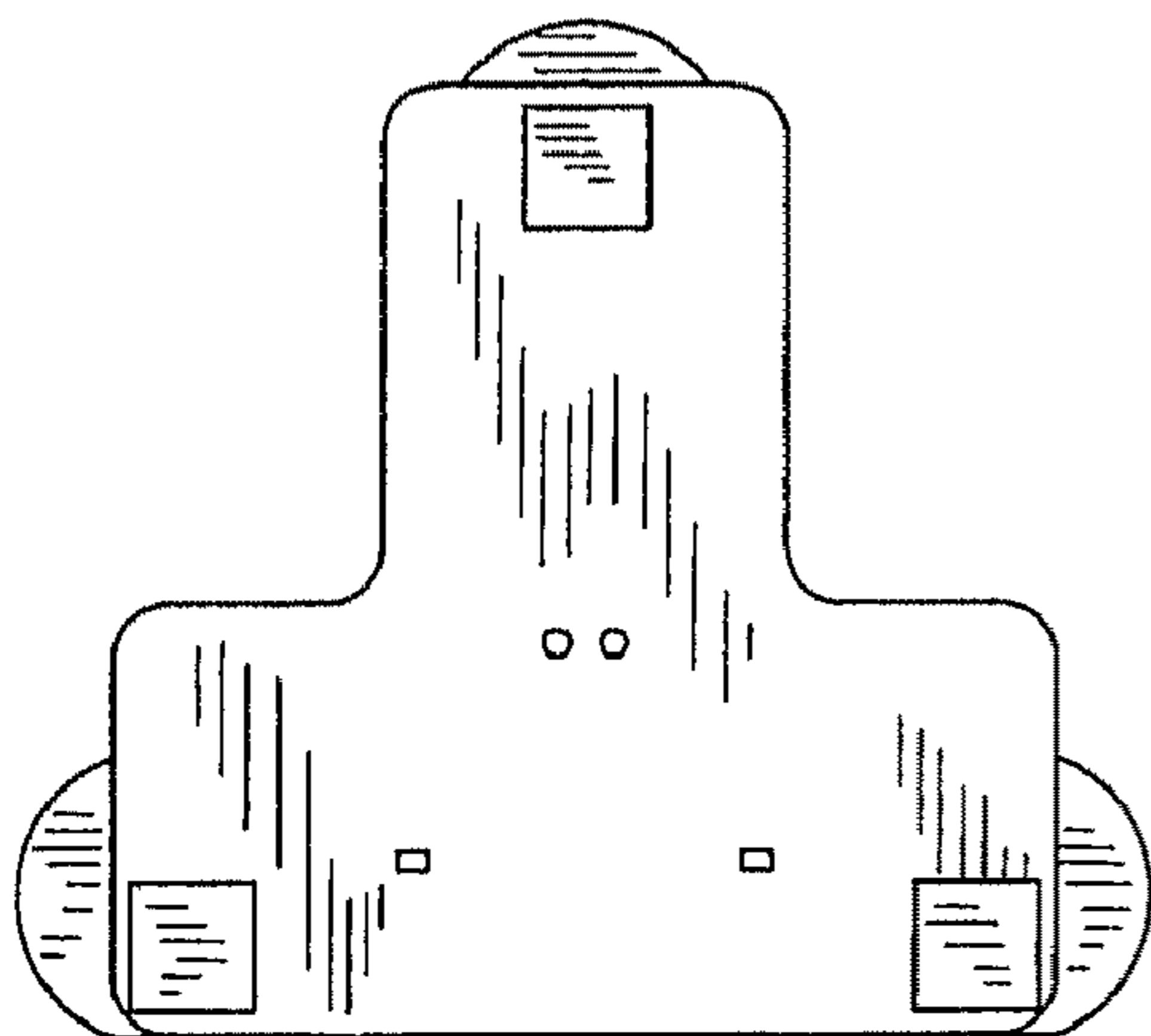
Fig. 5



*FIG. 6*



*FIG. 7*



UNITED STATES PATENT AND TRADEMARK OFFICE  
**CERTIFICATE OF CORRECTION**

PATENT NO. : D643,144 S  
APPLICATION NO. : 29/368100  
DATED : August 9, 2011  
INVENTOR(S) : Gerhard Waldmann

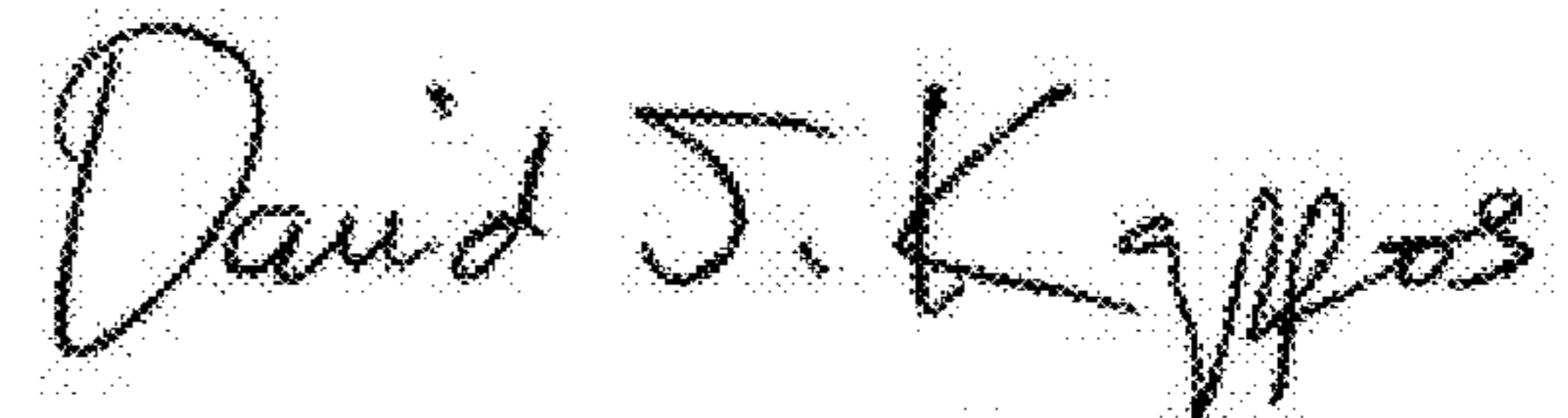
Page 1 of 1

It is certified that error appears in the above-identified patent and that said Letters Patent is hereby corrected as shown below:

Title Page, Item (73), should read:

Assignee: Herbert Waldmann GmbH & Co. KG  
Villingen-Schwenningen (DE)

Signed and Sealed this  
Eighteenth Day of October, 2011

A handwritten signature in black ink that reads "David J. Kappos". The signature is written in a cursive, slightly slanted style.

David J. Kappos  
*Director of the United States Patent and Trademark Office*