



US00D643142S

(12) **United States Design Patent**
Kocks

(10) **Patent No.:** **US D643,142 S**

(45) **Date of Patent:** **** Aug. 9, 2011**

(54) **PENDANT LAMP**

(75) Inventor: **Markus Kocks**, Freiburg (DE)

(73) Assignee: **RIDI-Leuchten GmbH**, Jungingen (DE)

(**) Term: **14 Years**

(21) Appl. No.: **29/366,173**

(22) Filed: **Jul. 21, 2010**

(30) **Foreign Application Priority Data**

Jan. 21, 2010 (DE) 40 2010 000 327

(51) **LOC (9) Cl.** **26-03**

(52) **U.S. Cl.** **D26/90; D26/76; D26/91**

(58) **Field of Classification Search** D26/63,

D26/68, 76, 79, 83-92, 128; 362/147, 404-408,

362/217.01, 222, 217.04, 217.14, 217.06

See application file for complete search history.

(56) **References Cited**

U.S. PATENT DOCUMENTS

D123,757 S * 12/1940 Dreyfuss D26/76

D127,173 S * 5/1941 Levy D26/76

D139,670 S * 12/1944 Lippincott D26/76

D399,588 S * 10/1998 St. Ives D26/76

D468,474 S * 1/2003 Poulton D26/90

D481,149 S * 10/2003 Engel D26/76

D487,598 S * 3/2004 Schuetz et al. D26/76

D588,739 S * 3/2009 Janssen D26/90

D589,640 S * 3/2009 Janssen D26/90

D595,447 S * 6/2009 Purcell D26/85

D597,242 S * 7/2009 Purcell D26/76

D632,004 S * 2/2011 Waldmann D26/88

OTHER PUBLICATIONS

Barcelona 2 Light pendant #E20261-10 shown on p. 178 of the ET2 Lighting Catalog ##LETCAT0706, © 2006. (2 pages).*

* cited by examiner

Primary Examiner — Clare E Heflin

(74) *Attorney, Agent, or Firm* — Gudrun E. Hockett

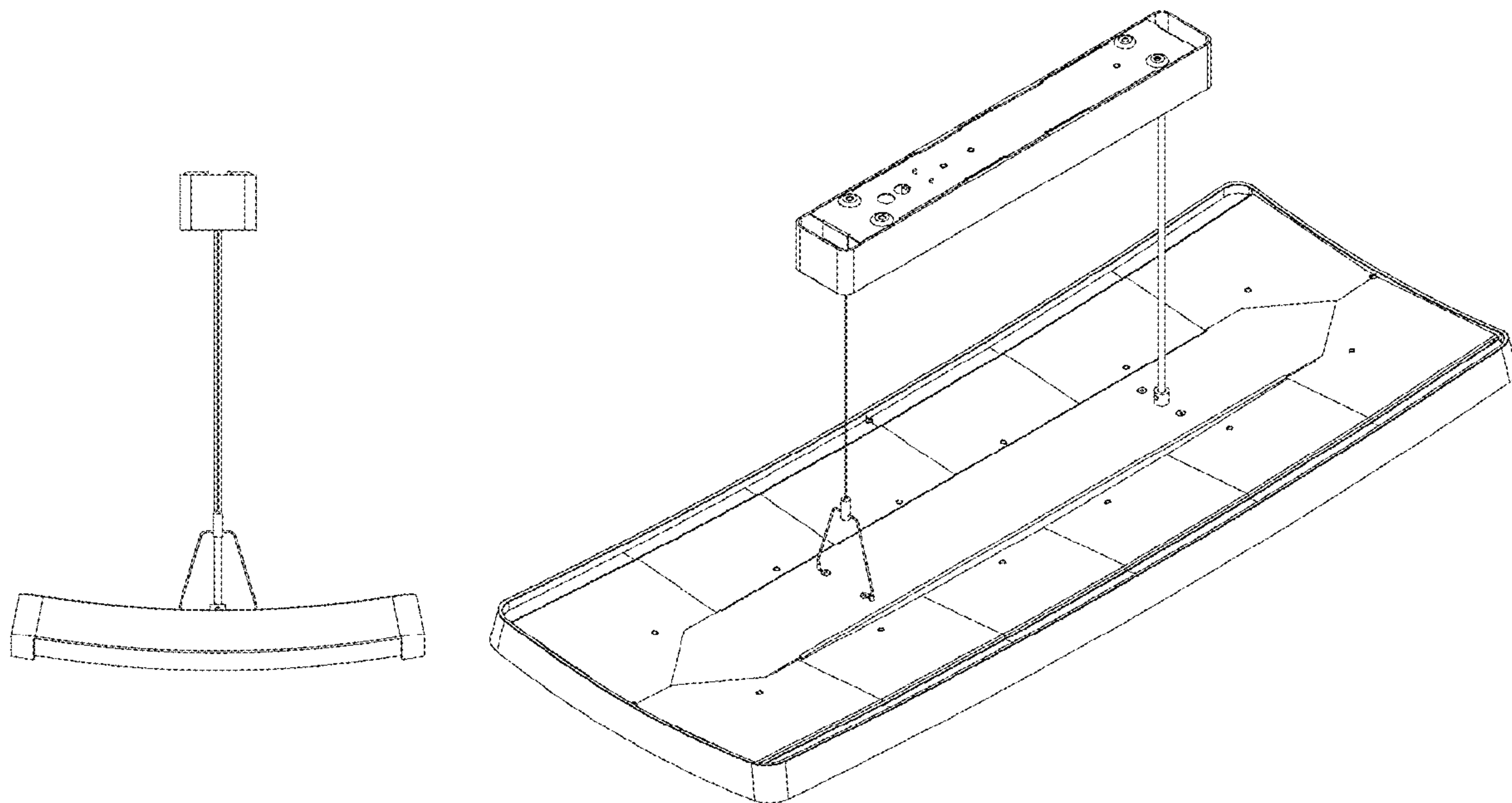
(57) **CLAIM**

The ornamental design for a pendant lamp, as shown and described.

DESCRIPTION

FIG. 1 is a side view of my pendant lamp;
FIG. 2 is a bottom plan view of my pendant lamp;
FIG. 3 is a another side view of my pendant lamp;
FIG. 4 is a top plan view of my pendant lamp;
FIG. 5 is an end view of my pendant lamp;
FIG. 6 is another end view of my pendant lamp; and,
FIG. 7 is a perspective view of my pendant lamp.

1 Claim, 7 Drawing Sheets



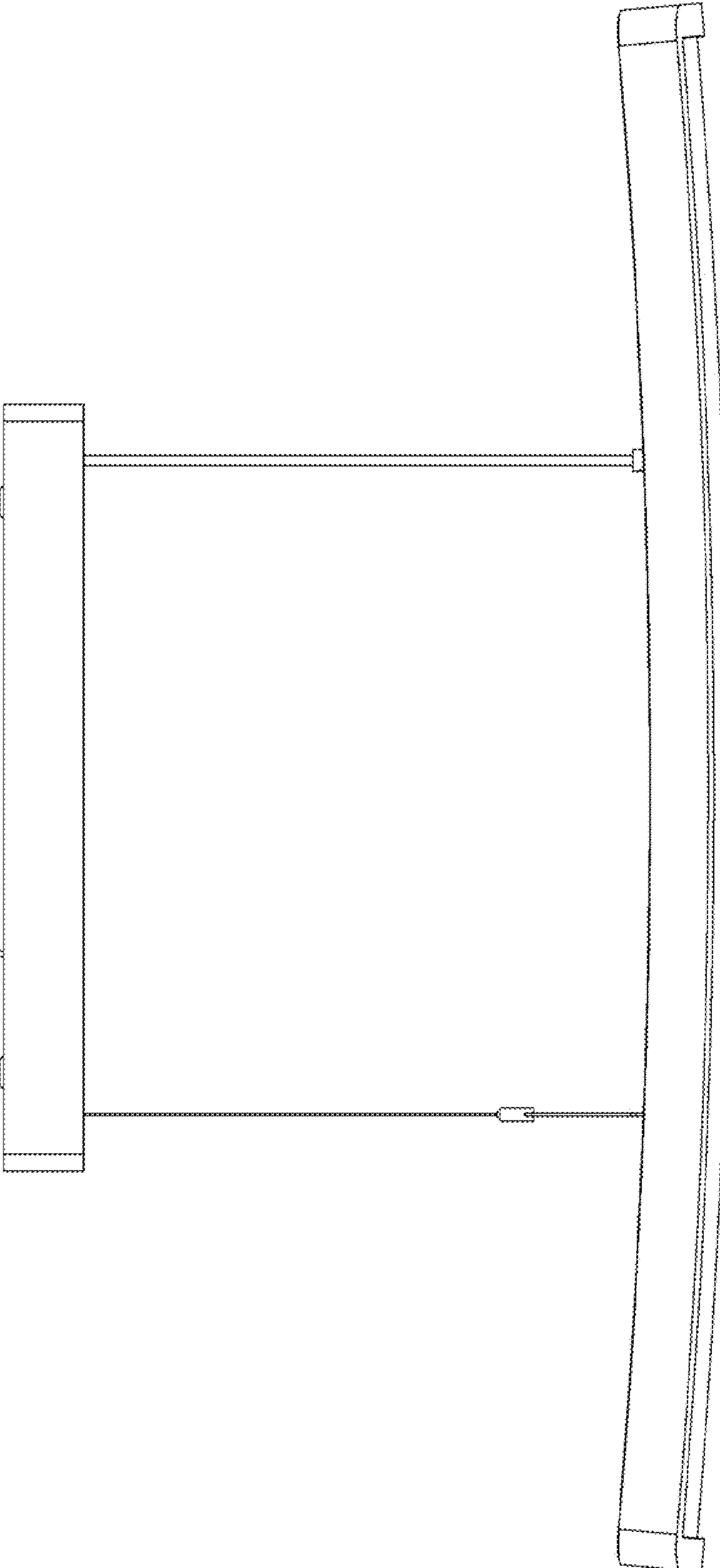


Fig. 1

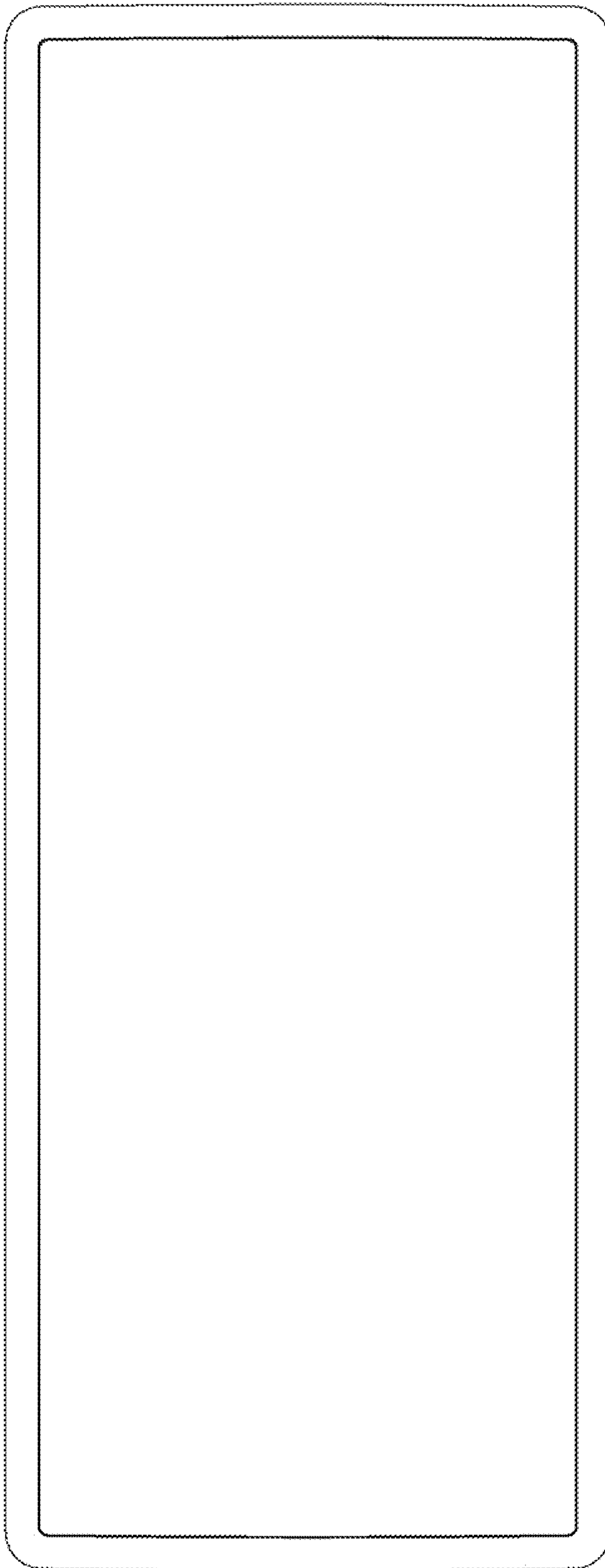


Fig. 2

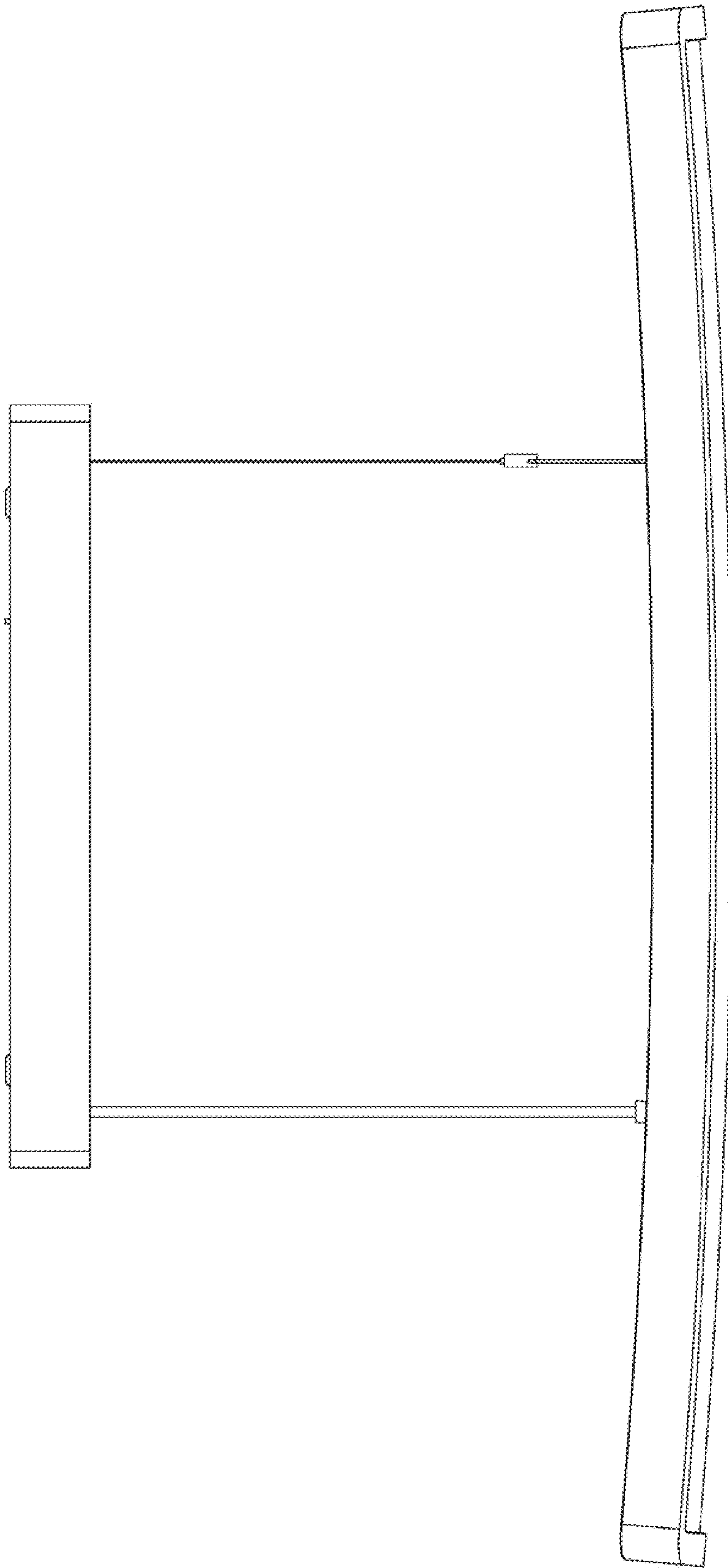


Fig. 3

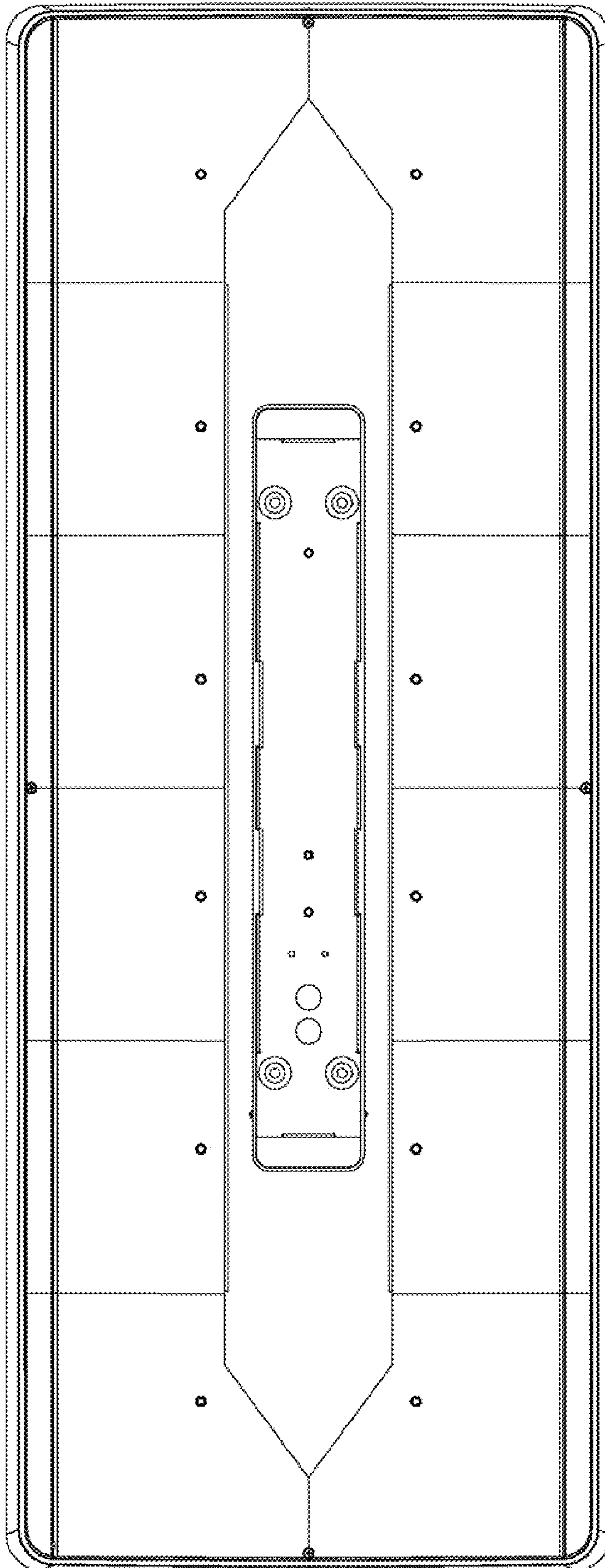


Fig. 4

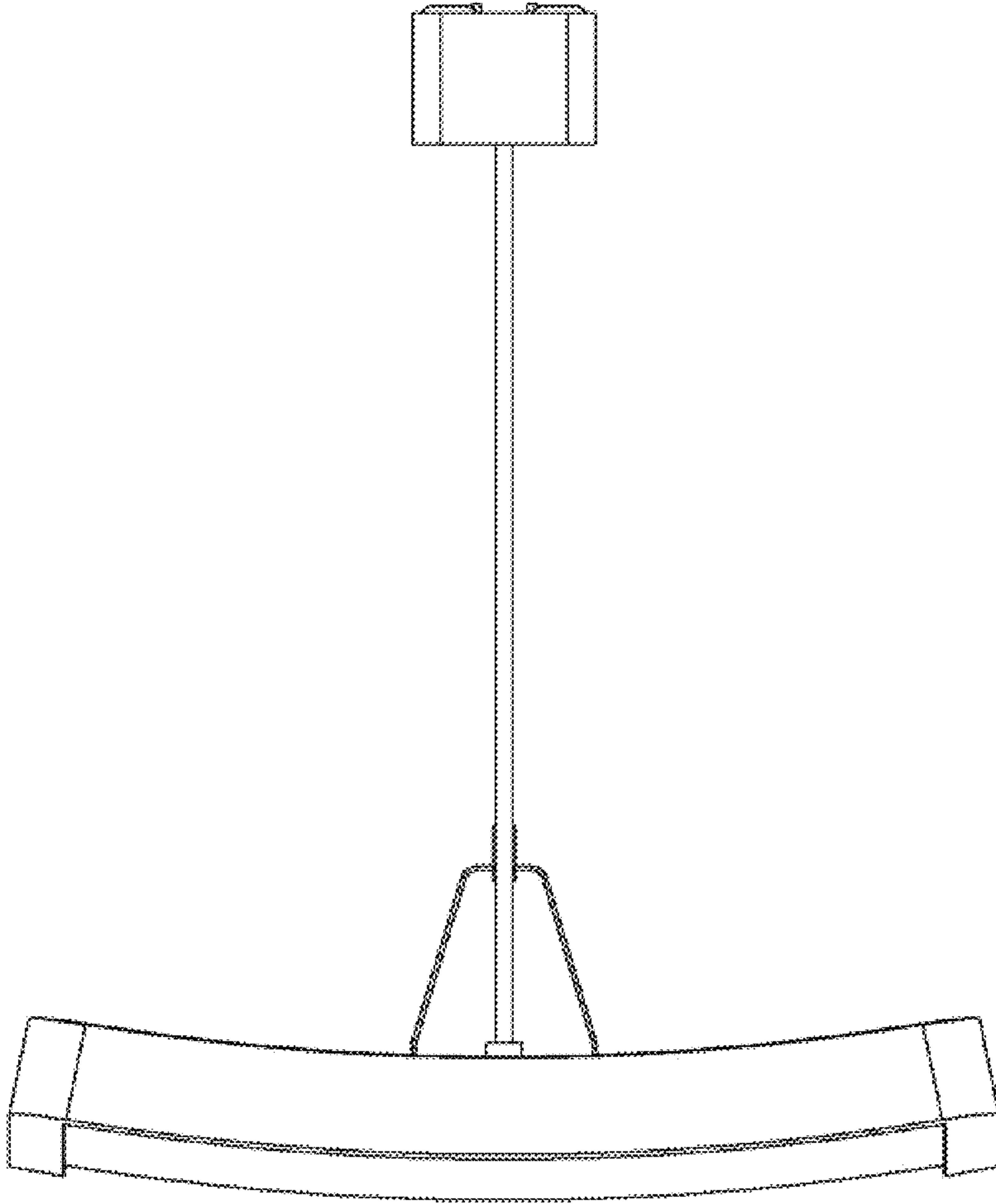


Fig. 5

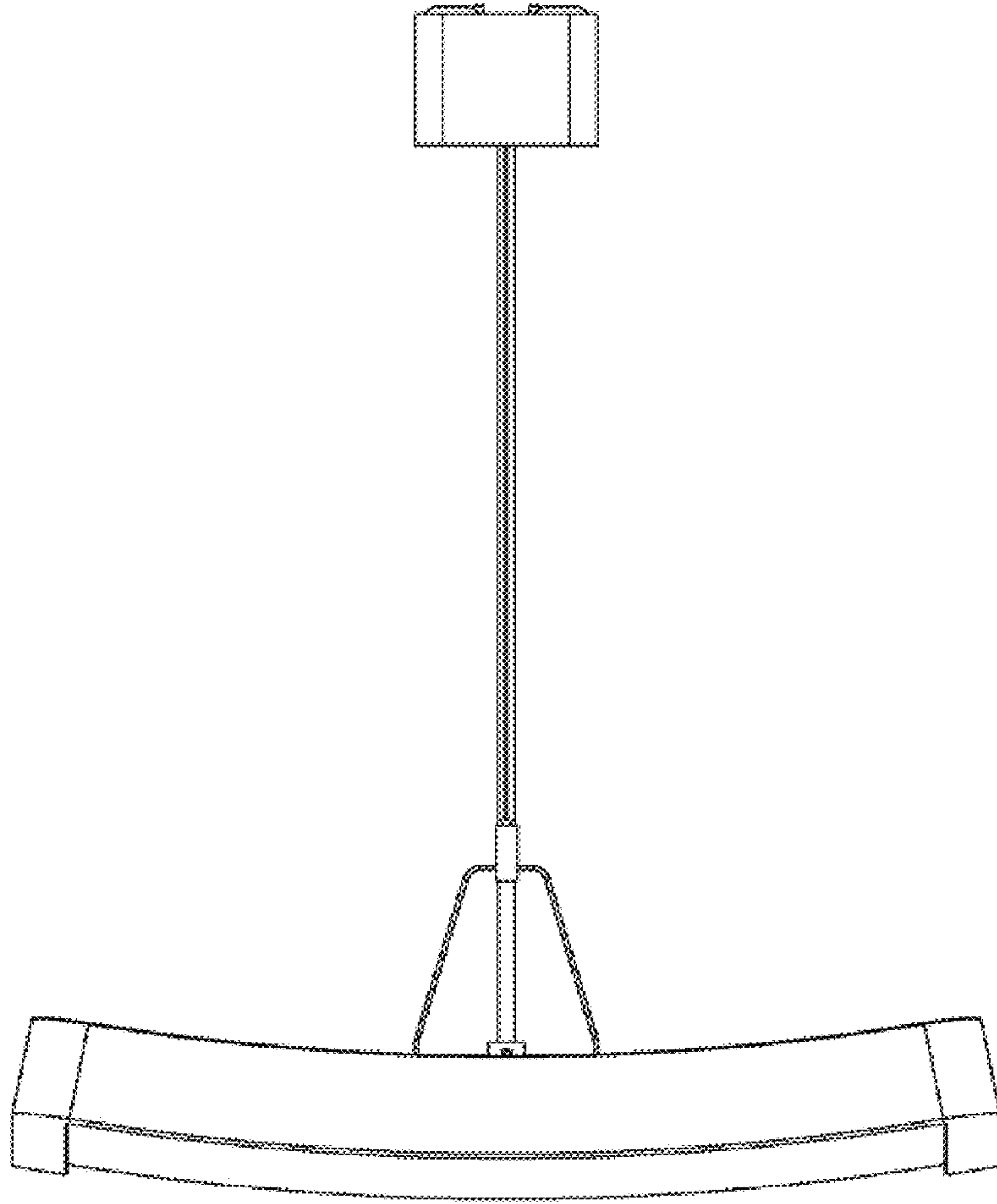


Fig. 6

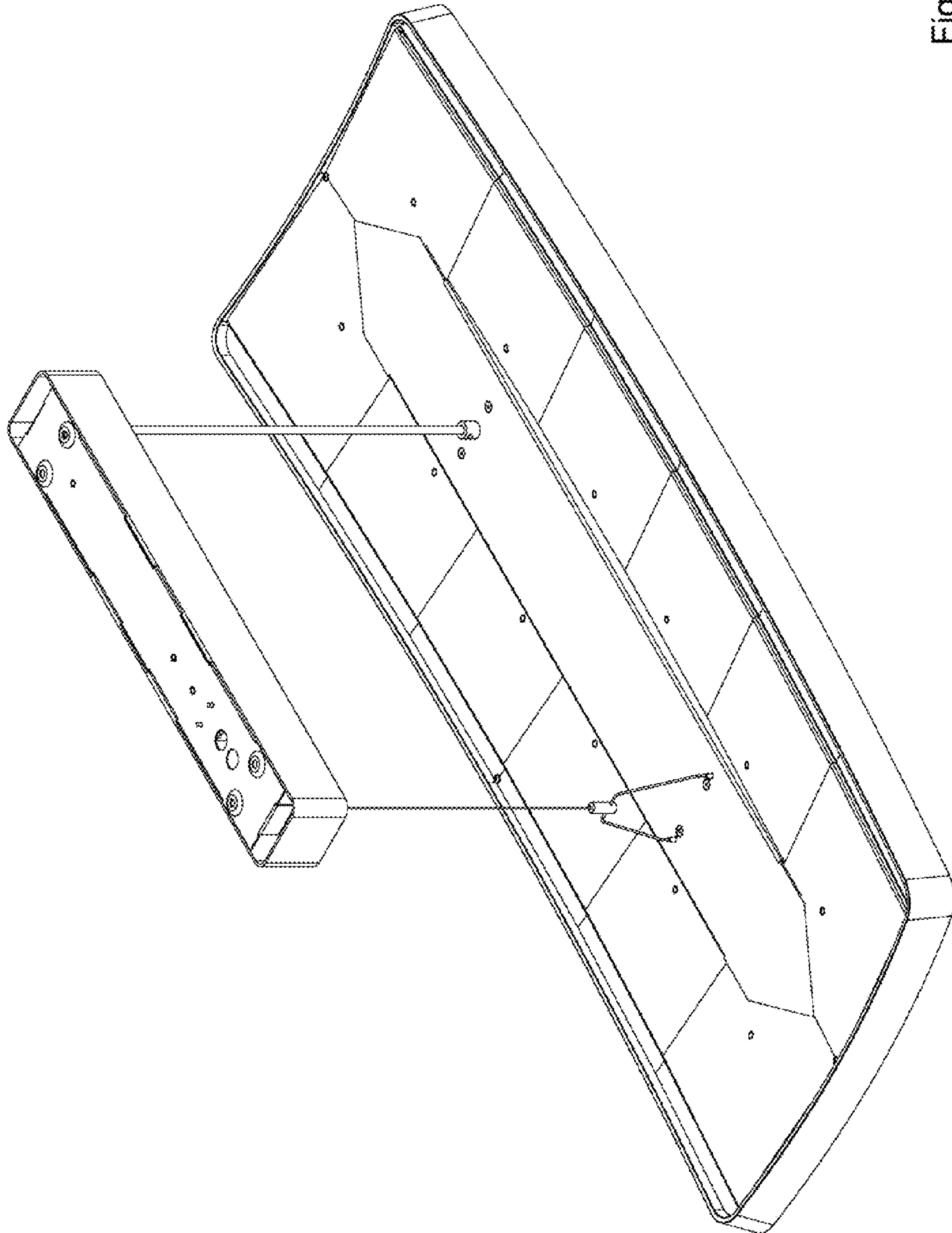


Fig. 7