

US00D643141S

(12) **United States Design Patent**  
**Wong et al.**

(10) **Patent No.:** **US D643,141 S**

(45) **Date of Patent:** **\*\* Aug. 9, 2011**

(54) **PLASMA STREET LIGHT**

(75) Inventors: **Kwok Fong Wong**, New Territories (CN); **Pui Yi Ching**, New Territories (CN)

(73) Assignee: **Shining Union Limited**, Tseun Wan, New Territories, Hong Kong (CN)

(\*\*) Term: **14 Years**

(21) Appl. No.: **29/369,116**

(22) Filed: **Sep. 2, 2010**

(30) **Foreign Application Priority Data**

Mar. 4, 2010 (HK) ..... 1000399.6

(51) **LOC (9) Cl.** ..... **26-05**

(52) **U.S. Cl.** ..... **D26/71**

(58) **Field of Classification Search** ..... D26/63, D26/67-71, 85, 92, 107; 362/145, 183, 231, 362/240, 249.02, 249.03, 249.04, 249.06, 362/249.16, 373, 431, 432

See application file for complete search history.

(56) **References Cited**

U.S. PATENT DOCUMENTS

D205,003	S	*	6/1966	de Vos	.....	D26/71
D221,183	S	*	7/1971	Bobrick	.....	D26/71
D222,810	S	*	1/1972	Husby et al.	.....	D26/68
D228,361	S	*	9/1973	Burns et al.	.....	D26/71
D437,958	S	*	2/2001	Doron et al.	.....	D26/71
D442,313	S	*	5/2001	Wojtkowiak et al.	.....	D26/71
D556,357	S	*	11/2007	Butler et al.	.....	D26/71
D591,445	S	*	4/2009	Guercio	.....	D26/92
D600,848	S	*	9/2009	Wung et al.	.....	D26/71
D612,090	S	*	3/2010	Yu	.....	D26/92

\* cited by examiner

*Primary Examiner* — Clare E Heflin

(74) *Attorney, Agent, or Firm* — Alix, Yale & Ristas, LLP

(57) **CLAIM**

The ornamental design for a plasma street light, as shown and described.

**DESCRIPTION**

FIG. 1 is a front view of a plasma street light showing our new design;

FIG. 2 is a rear view thereof;

FIG. 3 is a top plan view thereof;

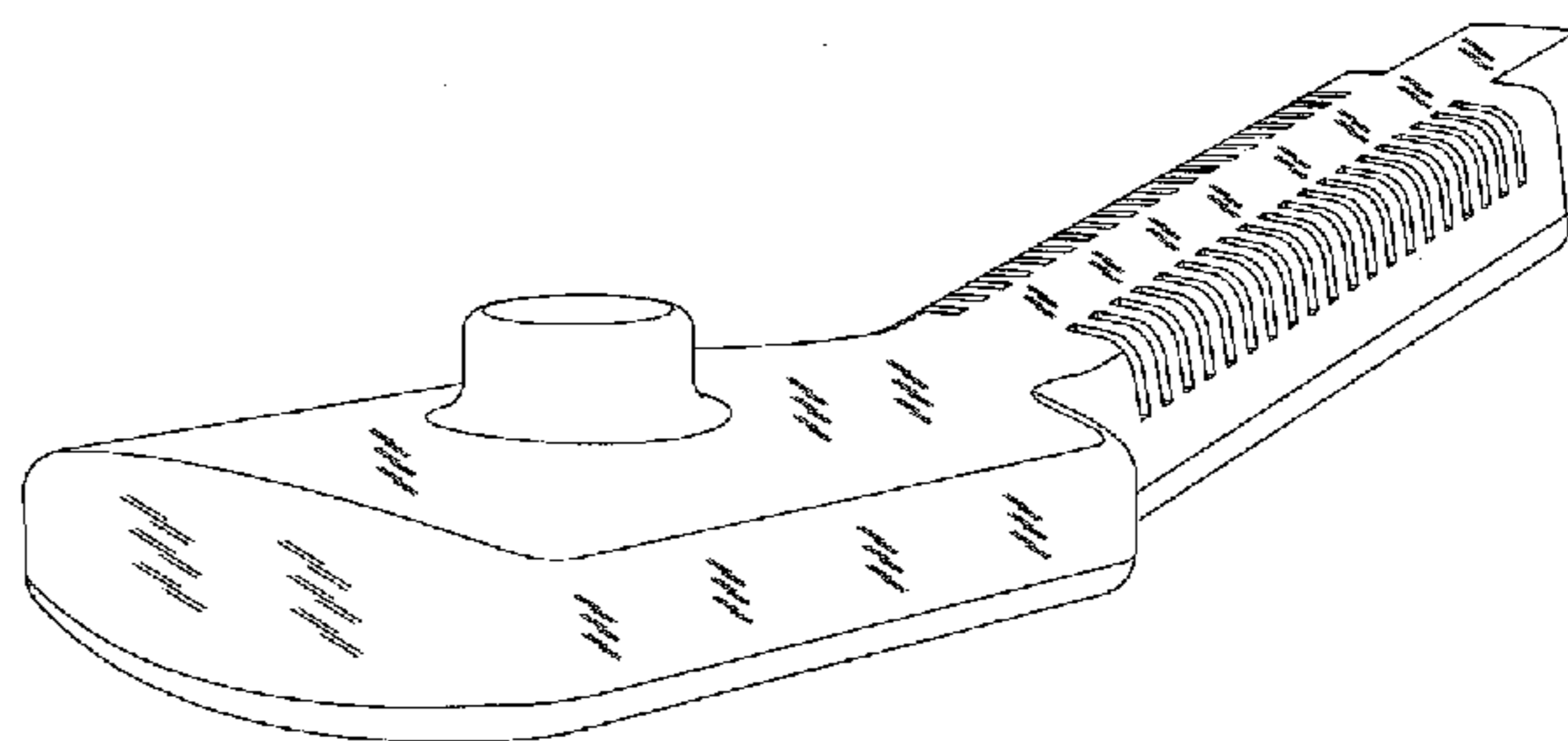
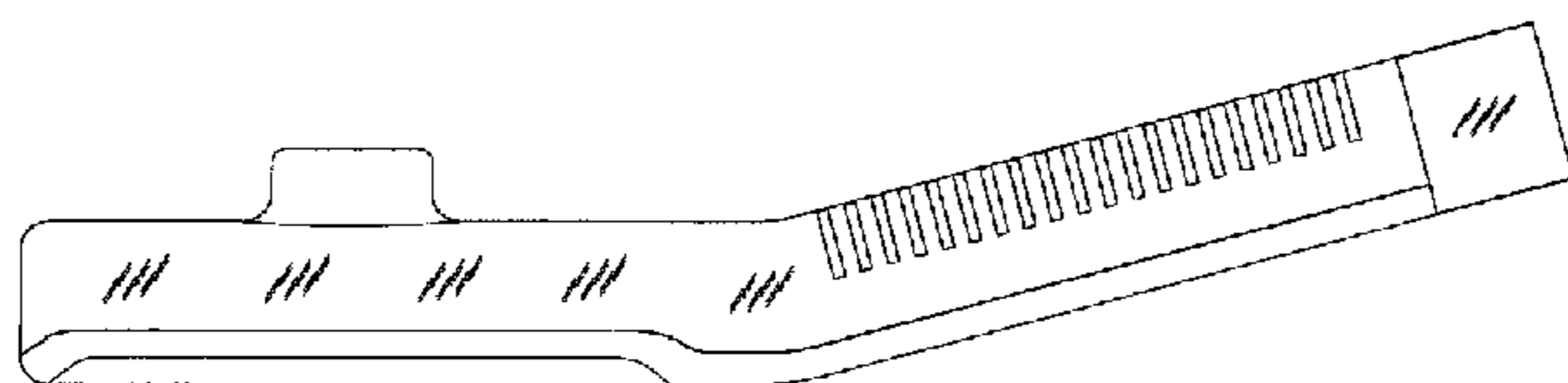
FIG. 4 is a bottom plan view thereof;

FIG. 5 is a left side view thereof;

FIG. 6 is a right side view thereof; and,

FIG. 7 is a perspective view thereof.

**1 Claim, 7 Drawing Sheets**



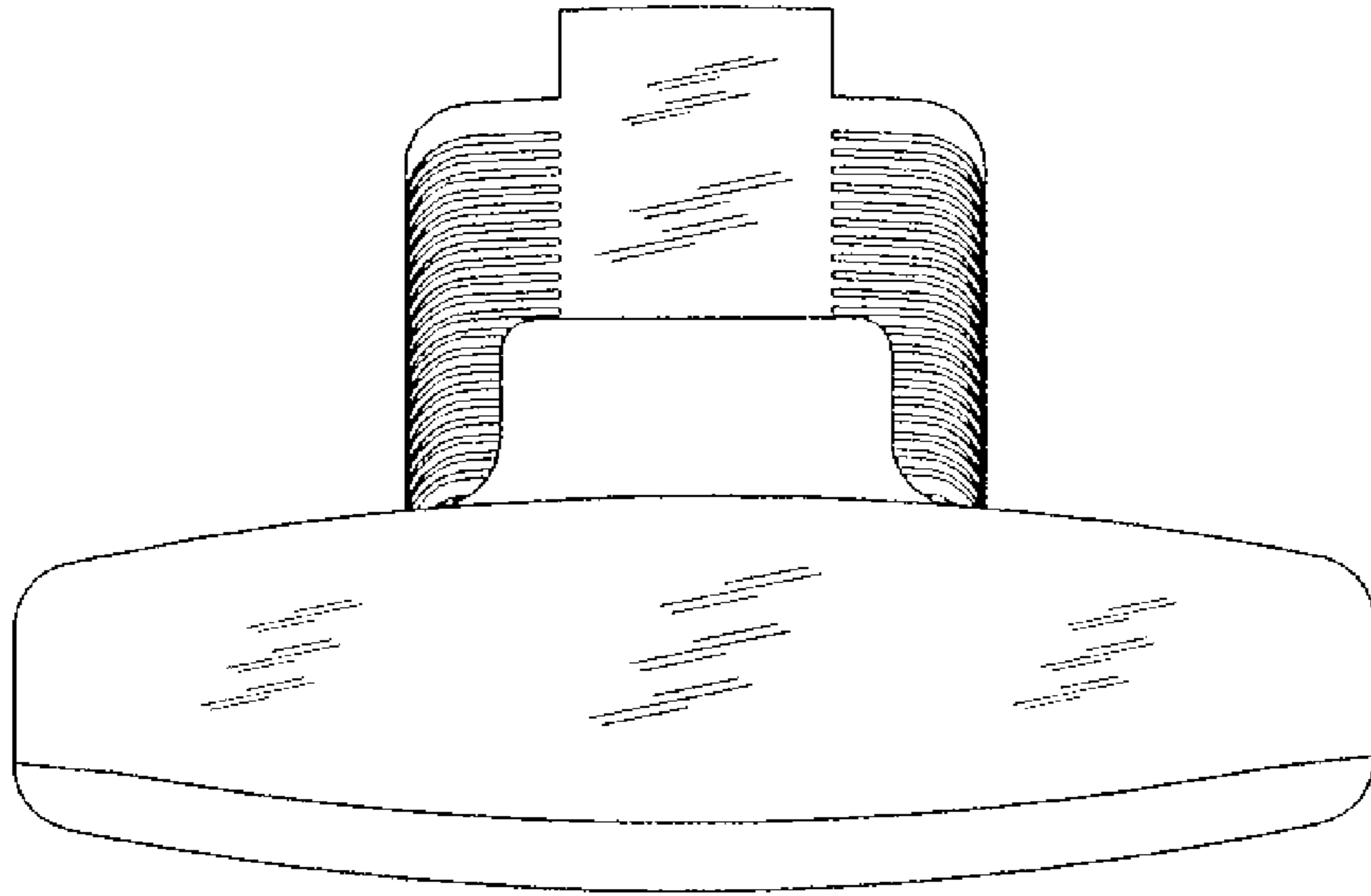


Fig. 1

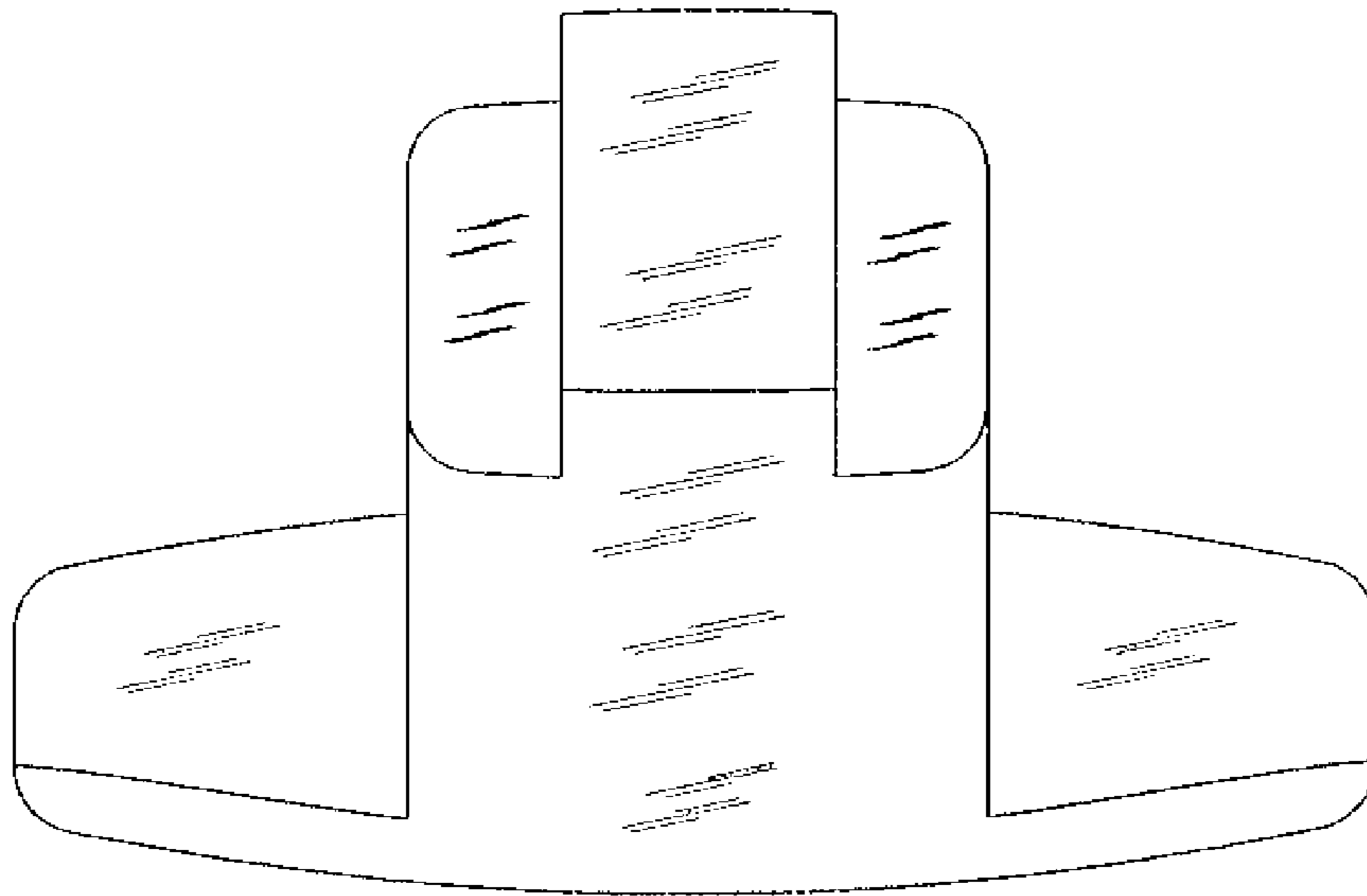


Fig.2

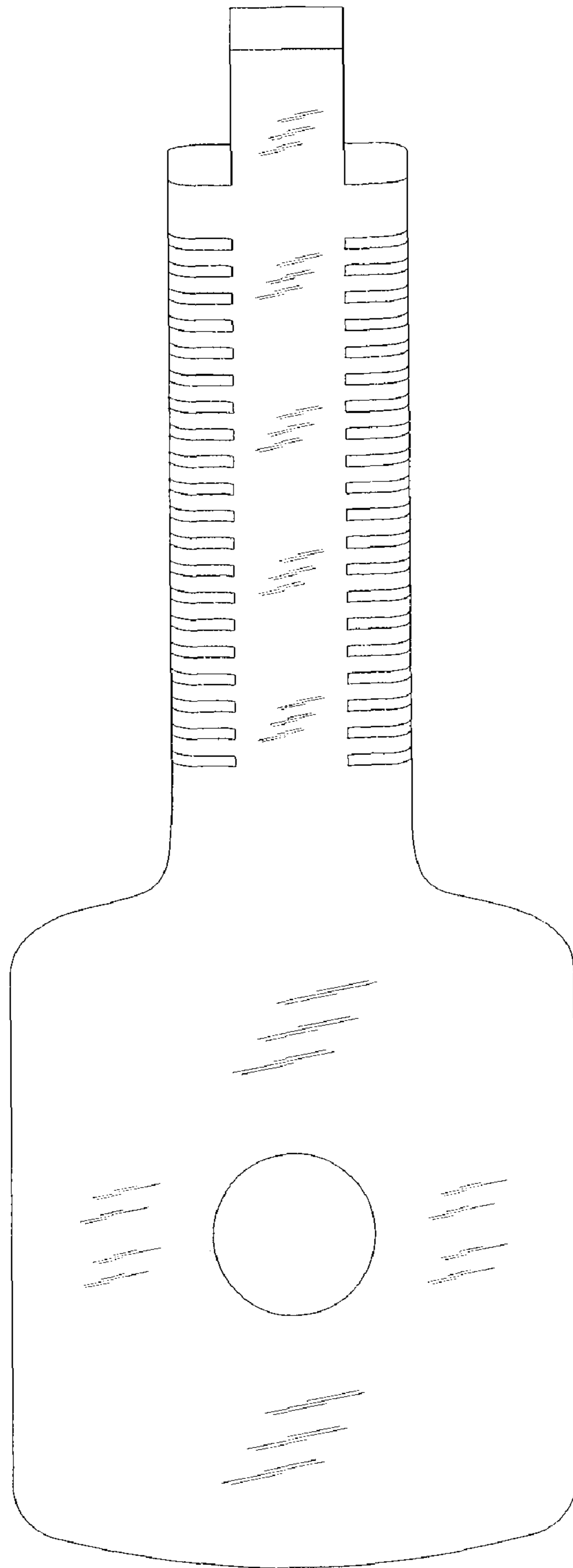


Fig.3

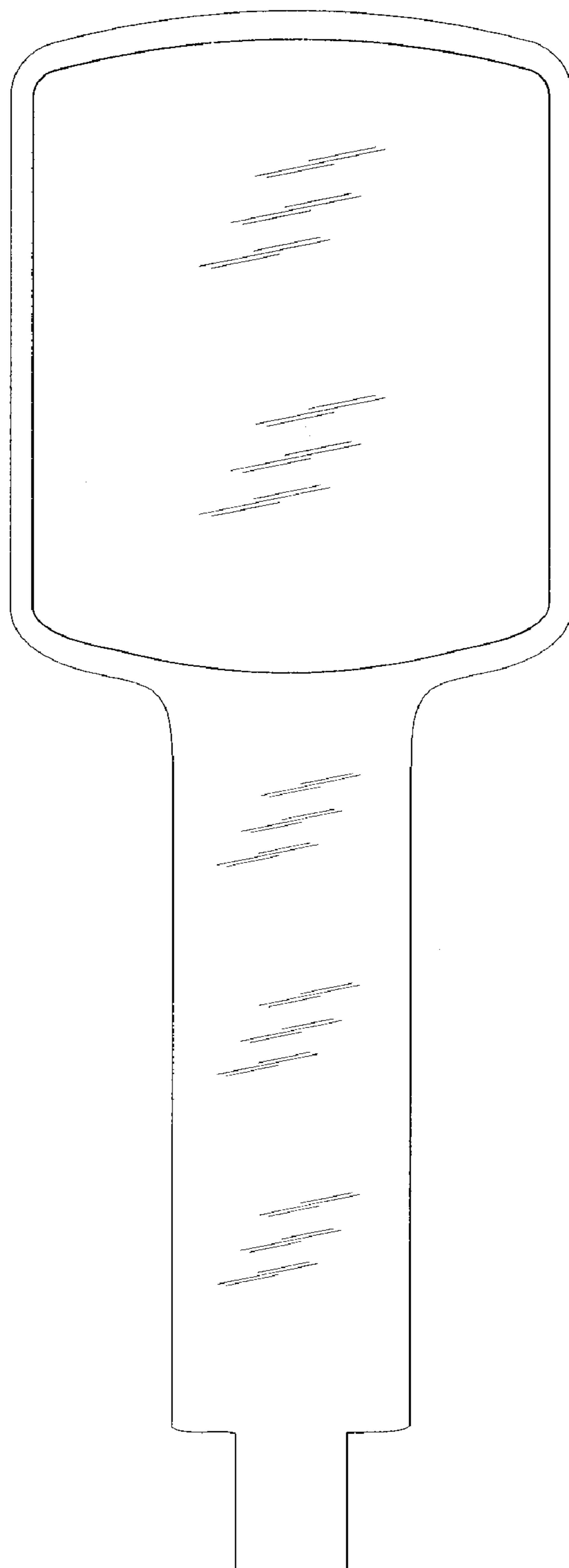


Fig.4

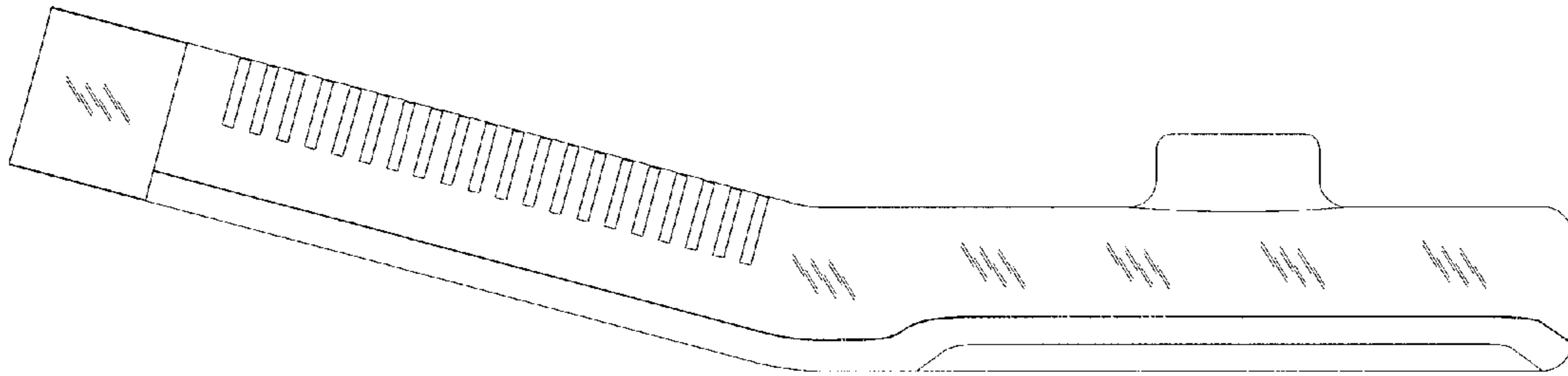


Fig.5

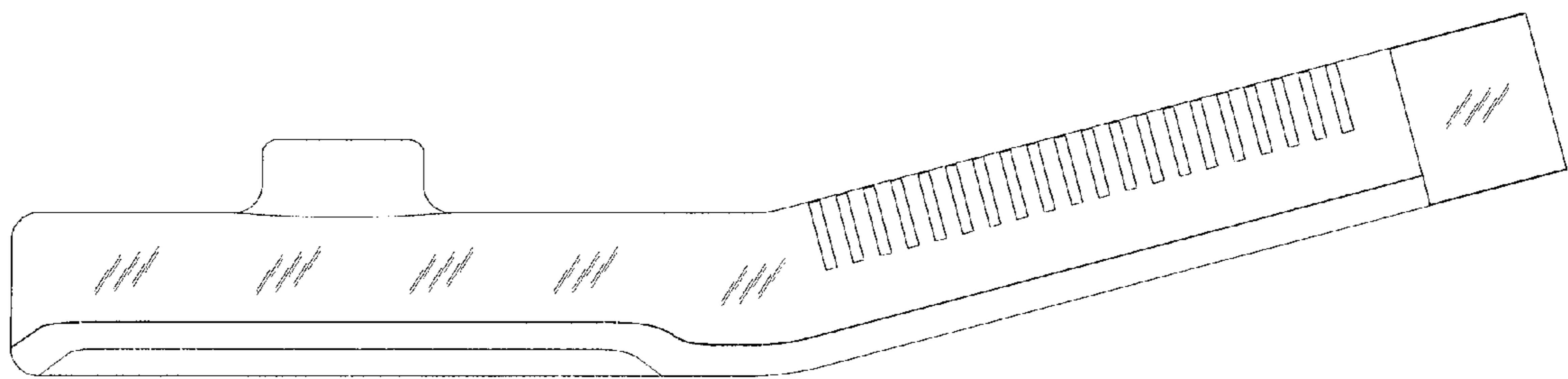


Fig.6

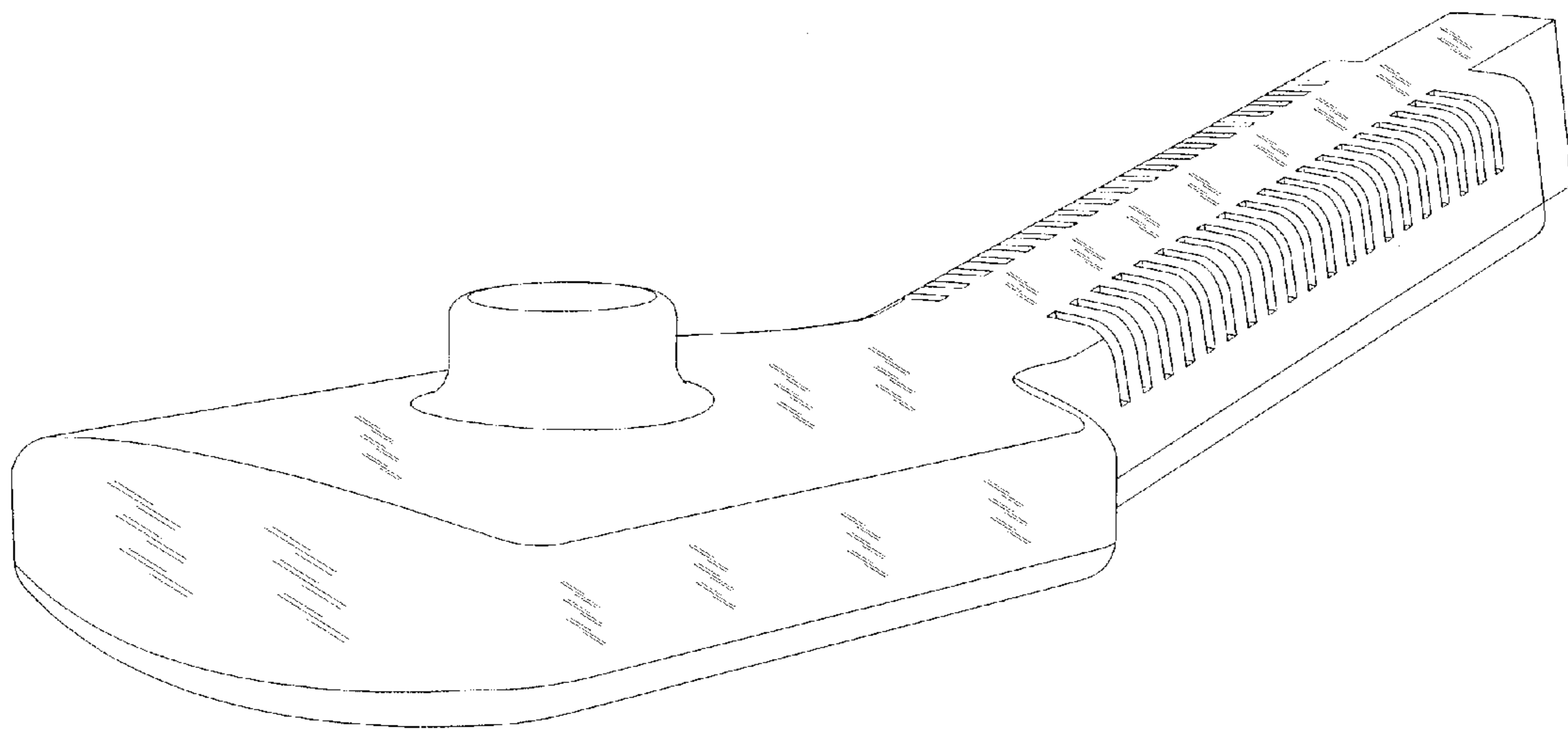


Fig.7