



US00D643140S

(12) **United States Design Patent**  
**Areh**

(10) **Patent No.:** **US D643,140 S**  
(45) **Date of Patent:** **\*\* Aug. 9, 2011**

(54) **STREET LAMP**

(75) Inventor: **Marko Areh, Radlje (SI)**

(73) Assignee: **GRAH Automotive D.O.O., Slovenske Konjice (SI)**

(\*\*) Term: **14 Years**

(21) Appl. No.: **29/359,996**

(22) Filed: **Apr. 19, 2010**

(30) **Foreign Application Priority Data**

Oct. 19, 2009 (EM) ..... 001625393

(51) **LOC (9) Cl.** ..... **26-05**

(52) **U.S. Cl.** ..... **D26/71**

(58) **Field of Classification Search** ..... D26/67-71,  
D26/85, 92; 362/145, 183, 231, 240, 249.02,  
362/249.03, 249.04, 249.06, 249.16, 431  
See application file for complete search history.

(56) **References Cited**

**U.S. PATENT DOCUMENTS**

D187,750 S *	4/1960	Husby et al. ....	D26/71
D192,041 S *	1/1962	Izzi .....	D26/71
D192,260 S *	2/1962	Fahey, Jr. ....	D26/71
D202,212 S *	9/1965	Izzi .....	D26/71
D239,861 S *	5/1976	Van Steenhoven .....	D26/71

D391,659 S *	3/1998	Gaskins et al. ....	D26/71
D570,516 S *	6/2008	Orellana .....	D26/71
7,420,811 B2 *	9/2008	Chan .....	362/373
D601,292 S *	9/2009	Yan et al. ....	D26/71
D609,383 S *	2/2010	Chang .....	D26/71
D614,791 S *	4/2010	Nibaldi .....	D26/71
D619,748 S *	7/2010	Jong .....	D26/71
D622,888 S *	8/2010	Chakravarty et al. ....	D26/71
D622,889 S *	8/2010	Zheng .....	D26/71
2009/0262533 A1 *	10/2009	Liu et al. ....	362/249.02

\* cited by examiner

*Primary Examiner* — Clare E Heflin

(74) *Attorney, Agent, or Firm* — Laurence A. Greenberg;  
Werner H. Stemer; Ralph E. Locher

(57) **CLAIM**

The ornamental design for a street lamp, as shown and described.

**DESCRIPTION**

FIG. 1 is a top view of the street lamp showing my new design;

FIG. 2 is a side view thereof;

FIG. 3 is a rear view thereof;

FIG. 4 is a bottom view thereof;

FIG. 5 is a front elevational view thereof; and,

FIG. 6 is a left front perspective view thereof.

The broken lines shown on the drawings depict portions of the street lamp that form no part of the claimed design.

**1 Claim, 6 Drawing Sheets**

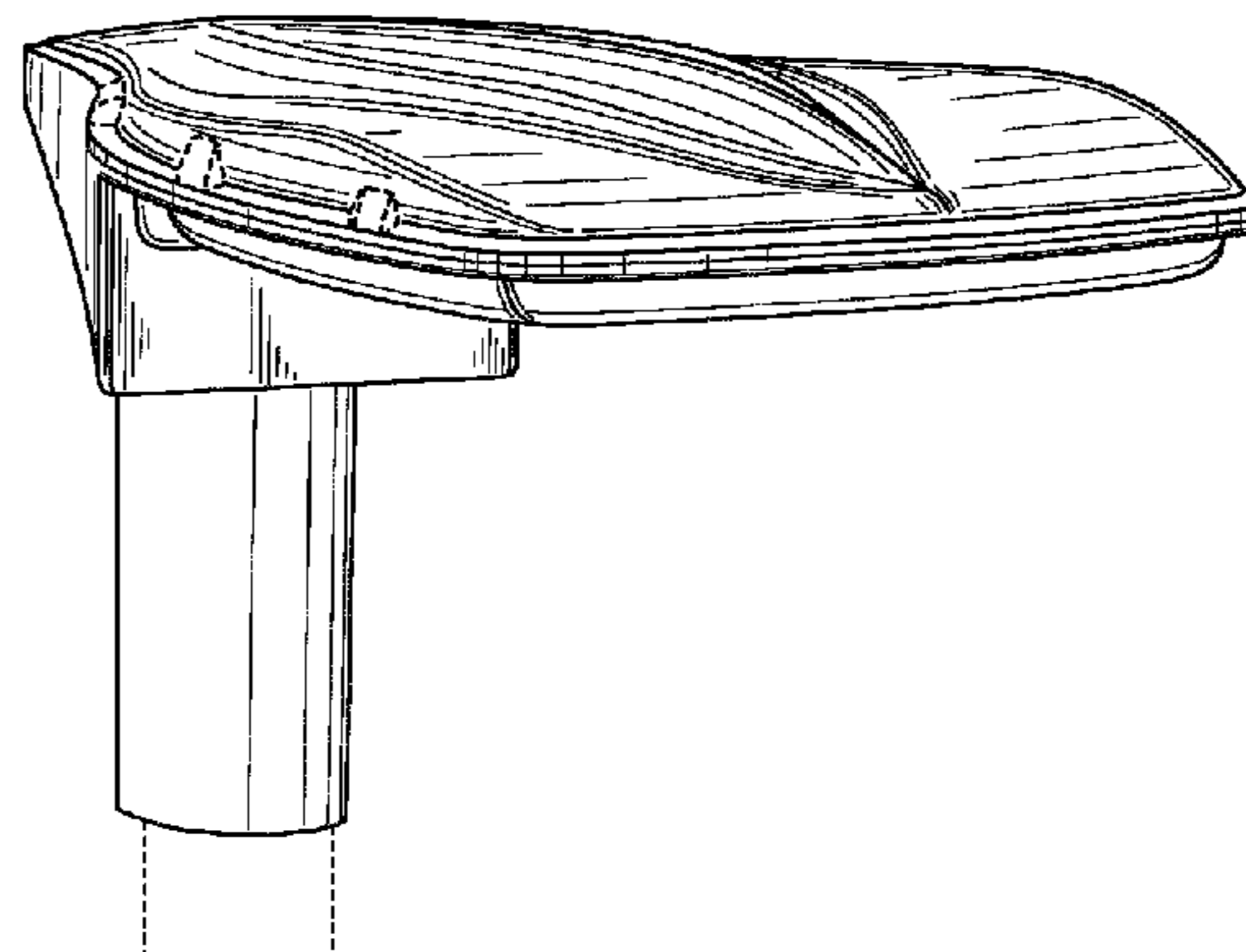
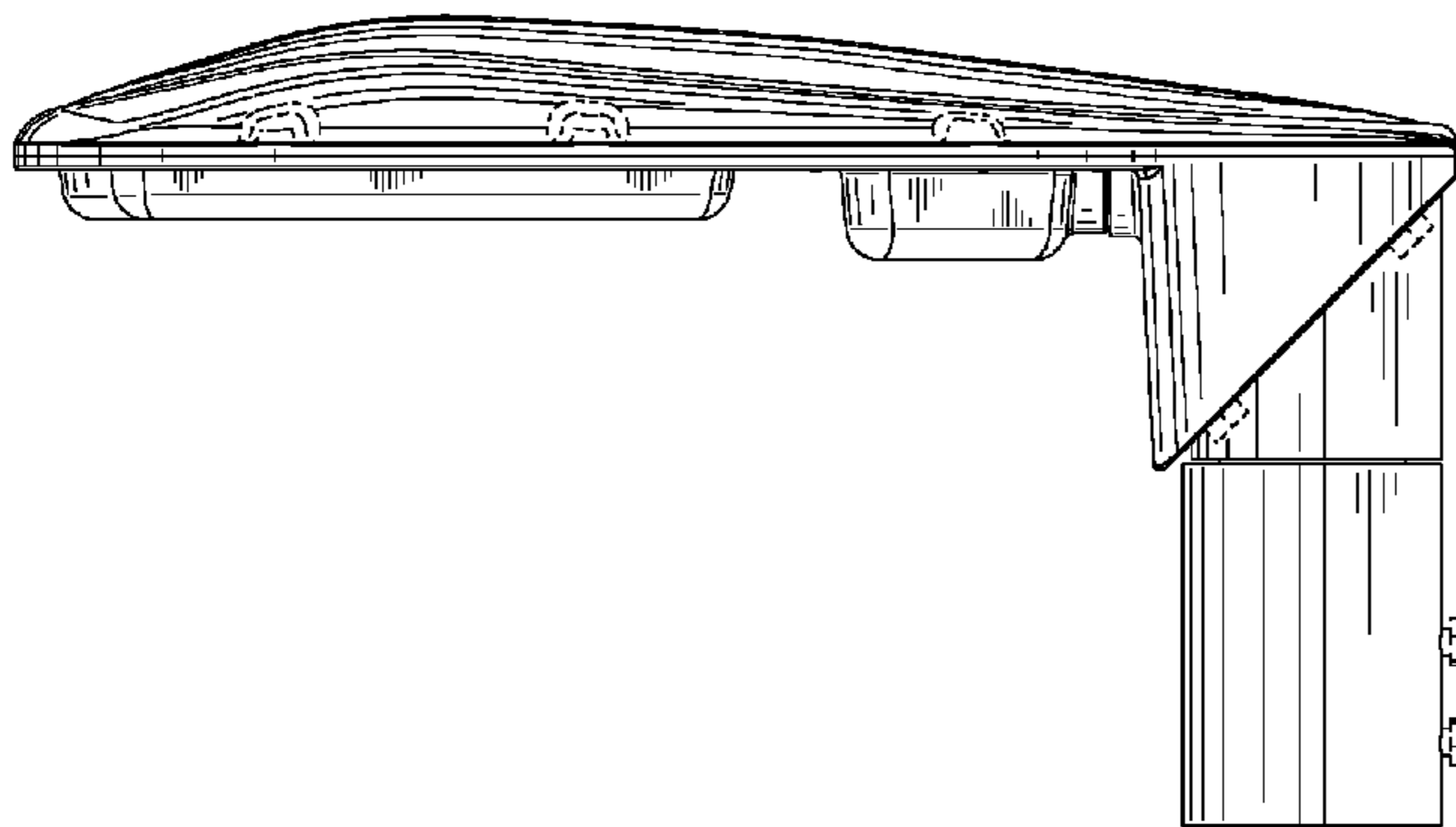
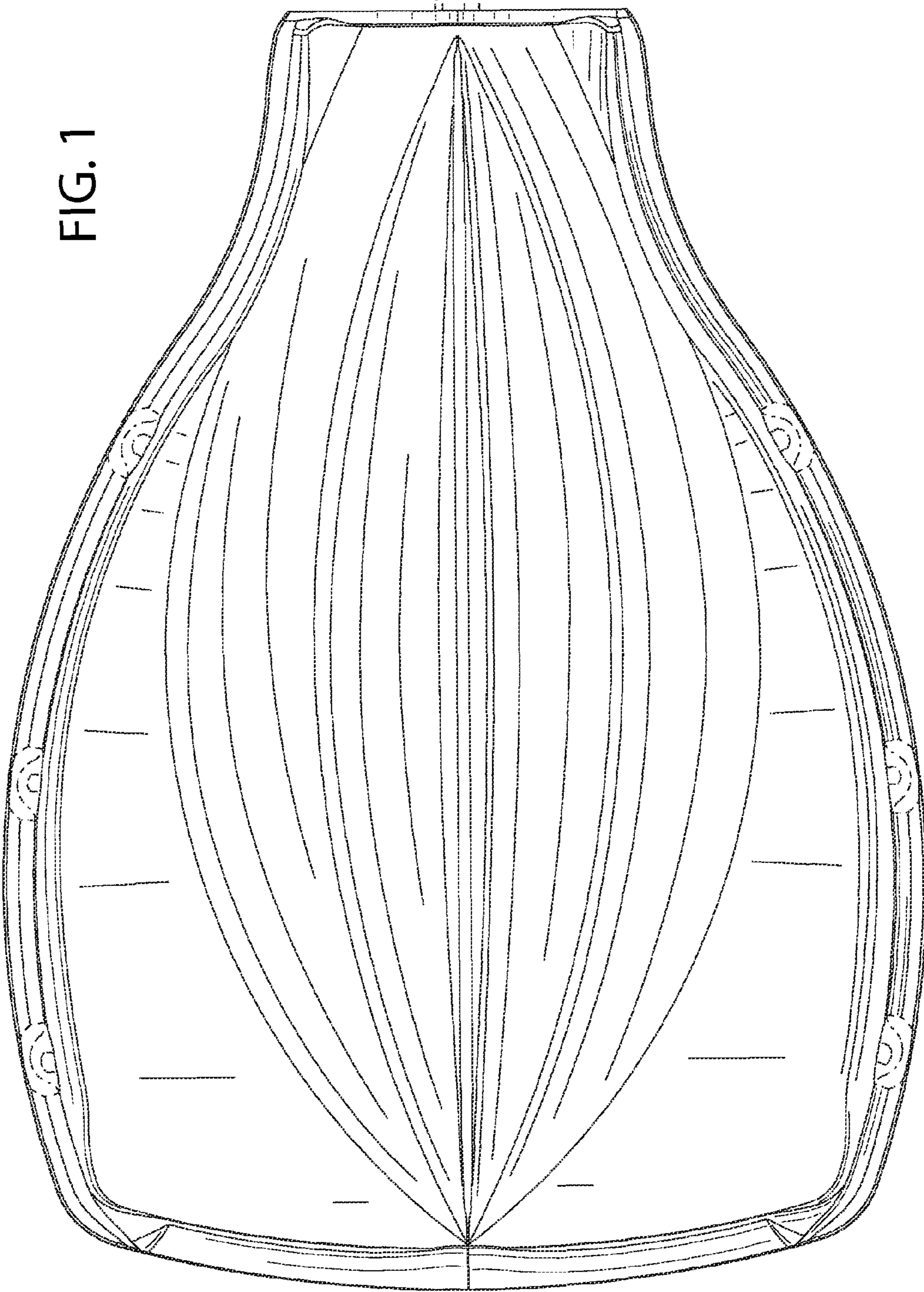


FIG. 1



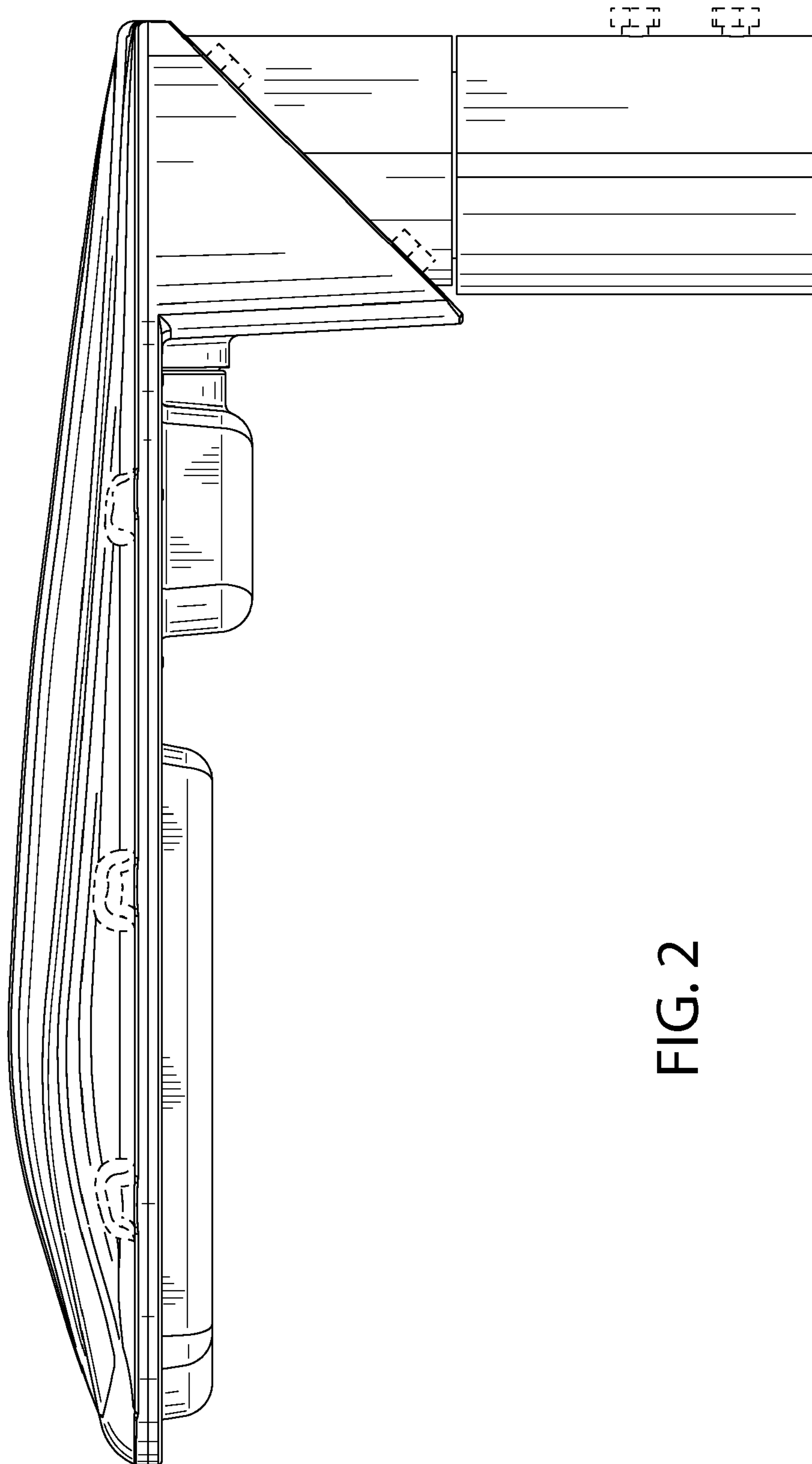


FIG. 2

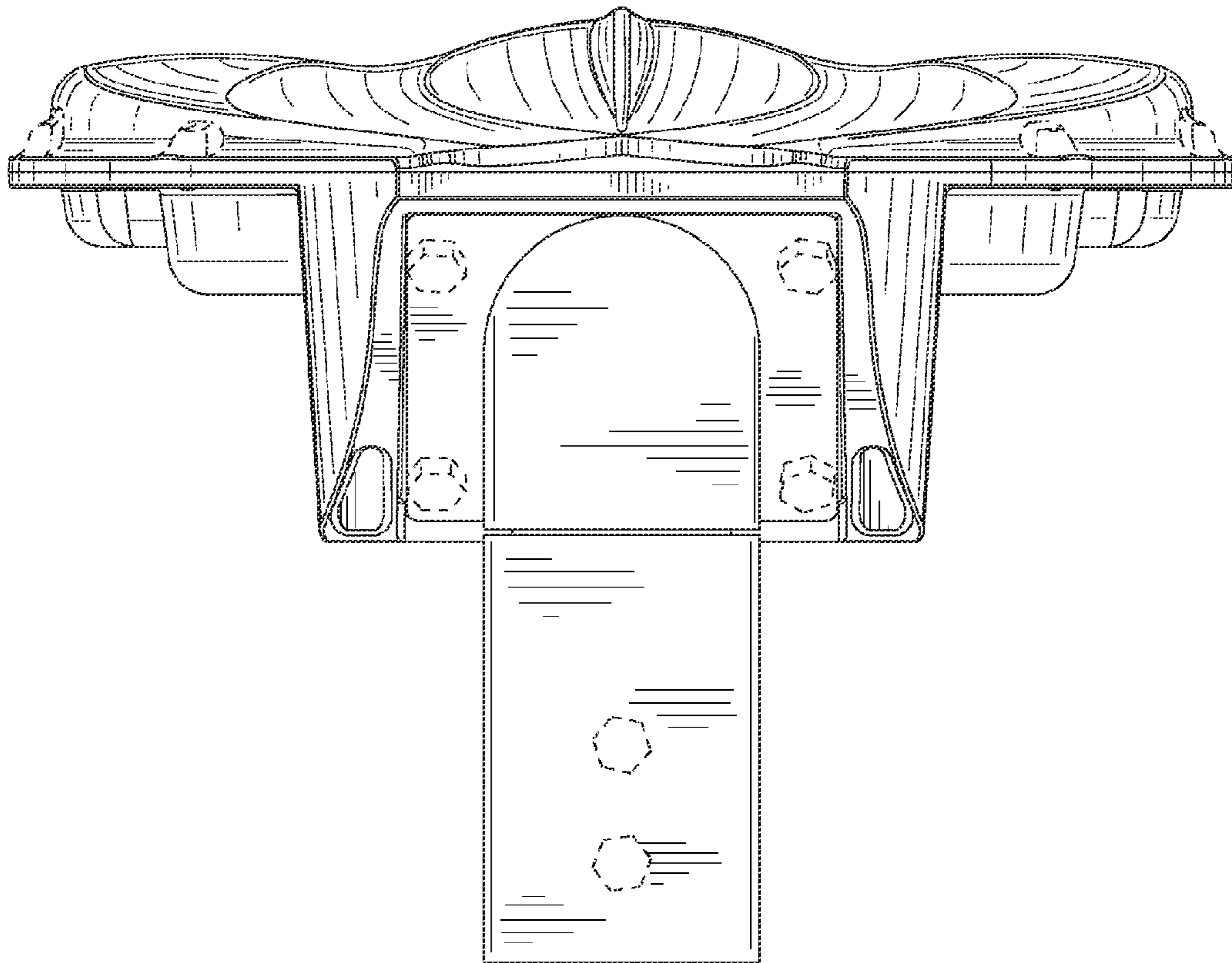


FIG. 3

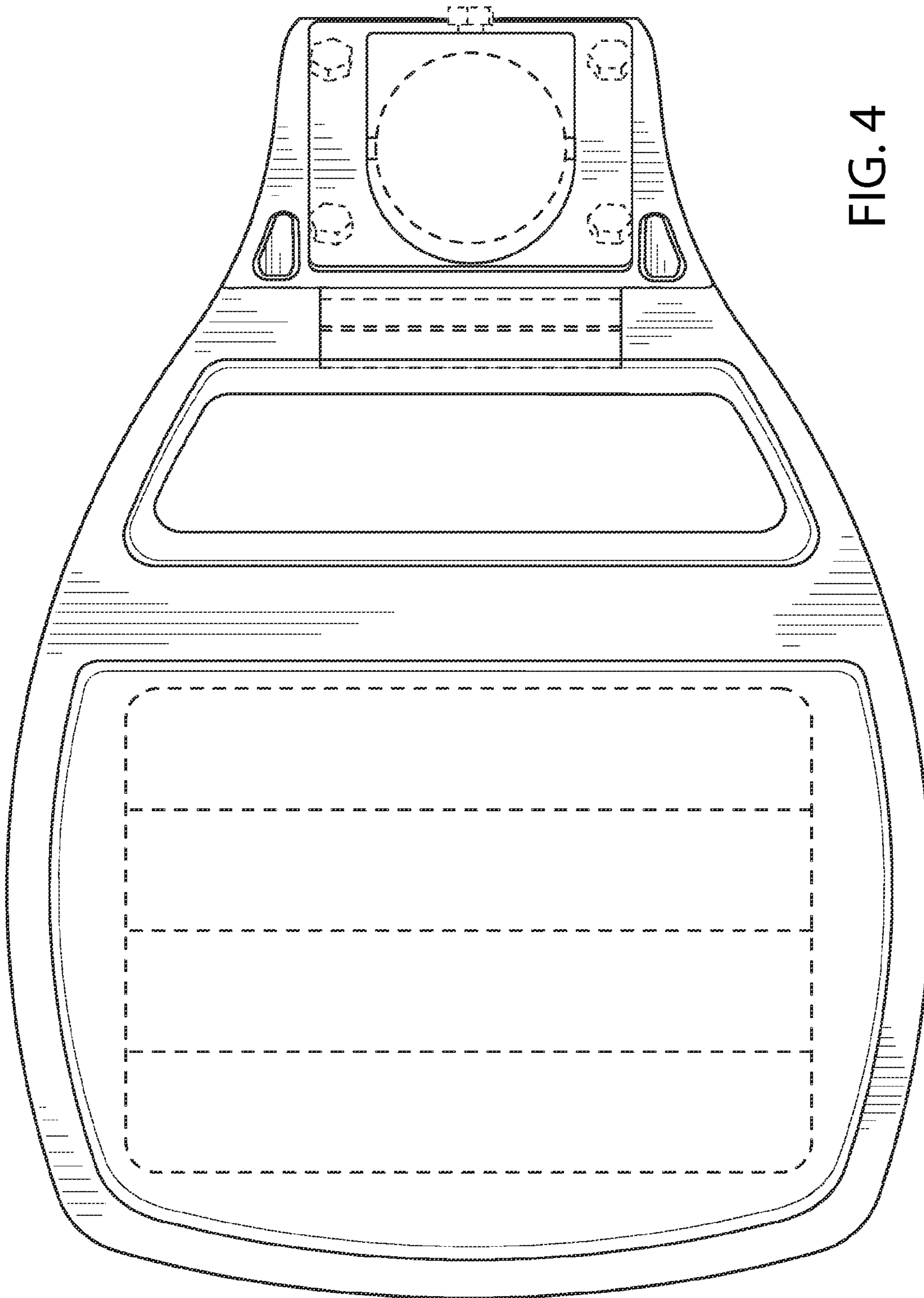


FIG. 4

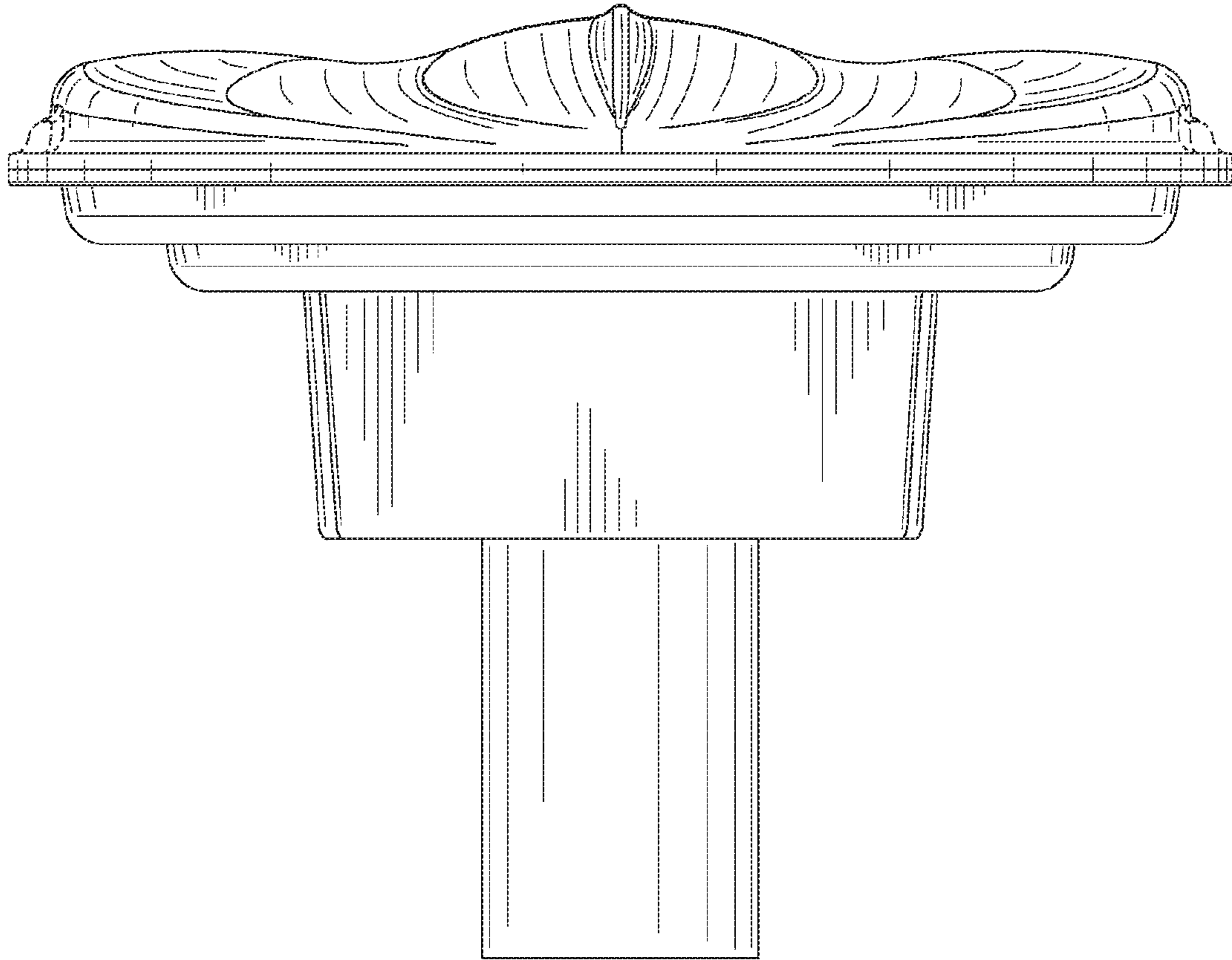


FIG. 5

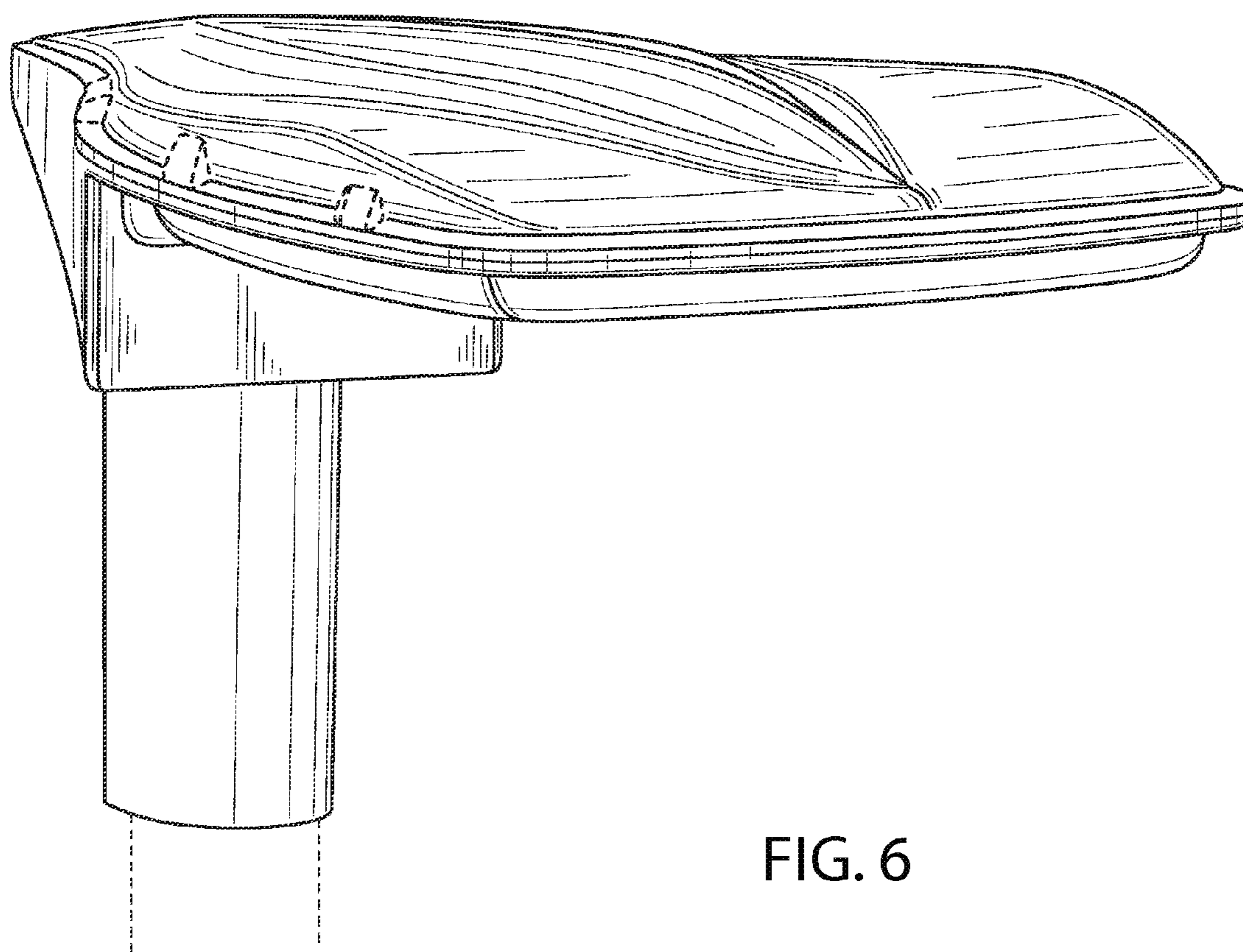


FIG. 6