



US00D643138S

(12) **United States Design Patent**
Kawase et al.

(10) **Patent No.:** **US D643,138 S**

(45) **Date of Patent:** **** Aug. 9, 2011**

(54) **PORTABLE LIGHT**

(75) Inventors: **Tomonori Kawase**, Aichi-ken (JP);
Takayoshi Yoshimura, Aichi-ken (JP)

(73) Assignee: **Makita Corporation**, Anjo-shi (JP)

(**) Term: **14 Years**

(21) Appl. No.: **29/379,007**

(22) Filed: **Nov. 12, 2010**

(30) **Foreign Application Priority Data**

May 18, 2010 (JP) 2010-012156

(51) **LOC (9) Cl.** **26-02**

(52) **U.S. Cl.** **D26/37**

(58) **Field of Classification Search** D26/37-42,
D26/45-46, 48, 50; 362/157, 158, 184-191,
362/194-199, 202-208

See application file for complete search history.

(56) **References Cited**

U.S. PATENT DOCUMENTS

D532,536 S * 11/2006 Krieger et al. D26/38

D533,528 S * 12/2006 Krieger et al. D14/129

D535,770 S * 1/2007 Yuen D26/38
D605,797 S * 12/2009 Baker et al. D26/48
D627,090 S * 11/2010 Sanoner D26/40

* cited by examiner

Primary Examiner — Ian Simmons

Assistant Examiner — Carissa C Fitts

(74) *Attorney, Agent, or Firm* — Oliff & Berridge, PLC

(57) **CLAIM**

The ornamental design for a portable light, as shown and described.

DESCRIPTION

FIG. 1 is a perspective view of the front, top and right side of a portable light showing our new design;

FIG. 2 is a front view thereof;

FIG. 3 is a rear view thereof;

FIG. 4 is a plan view thereof;

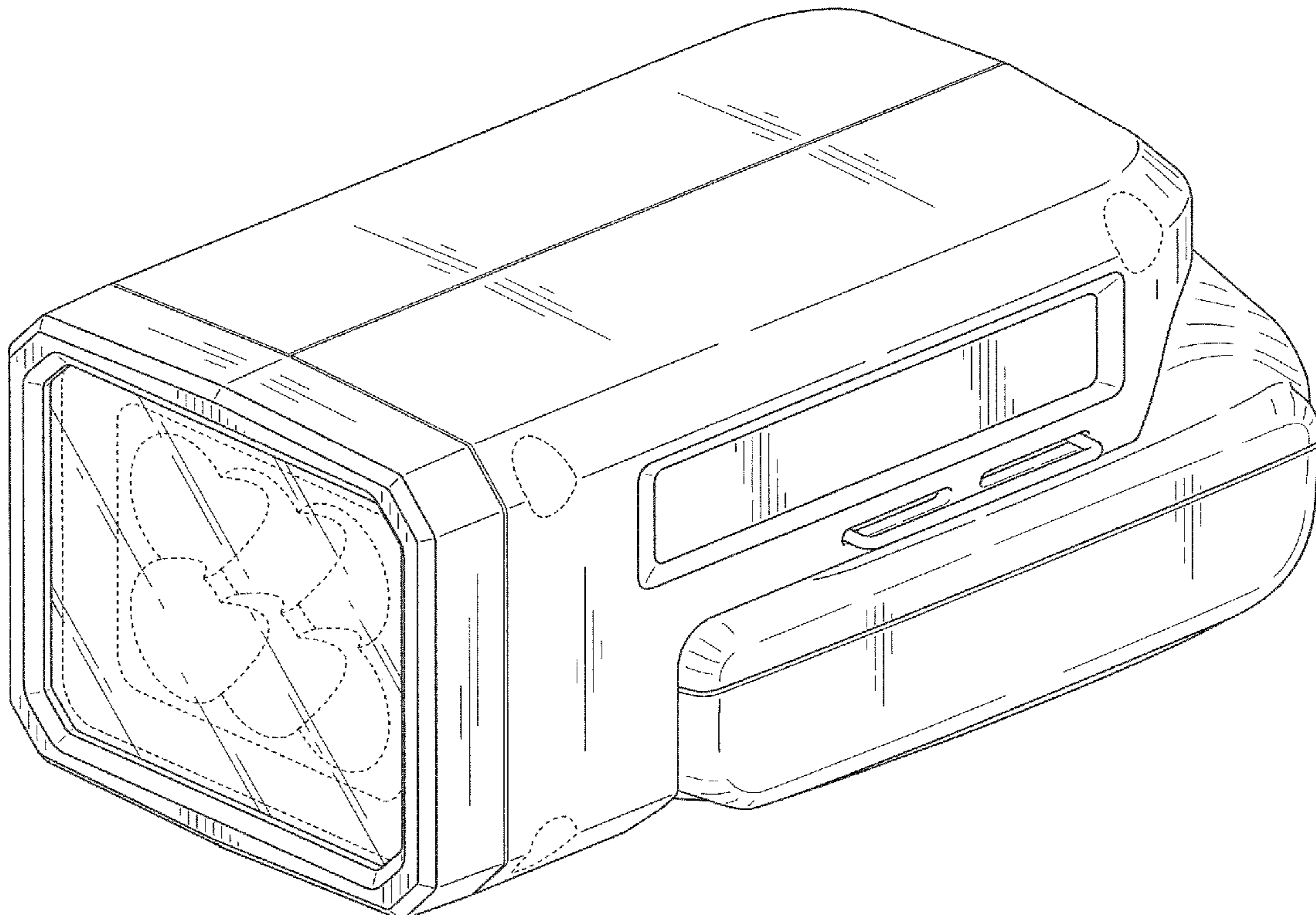
FIG. 5 is a bottom view thereof;

FIG. 6 is a left side view thereof; and,

FIG. 7 is a right side view thereof.

The broken lines immediately adjacent to the shaded areas represent the bounds of the claimed design while all other broken lines, including the lighting elements beneath the outer transparent front panel in FIGS. 1 and 2, are directed to environment and are for illustrative purposes only; the broken lines form no part of the claimed design.

1 Claim, 6 Drawing Sheets



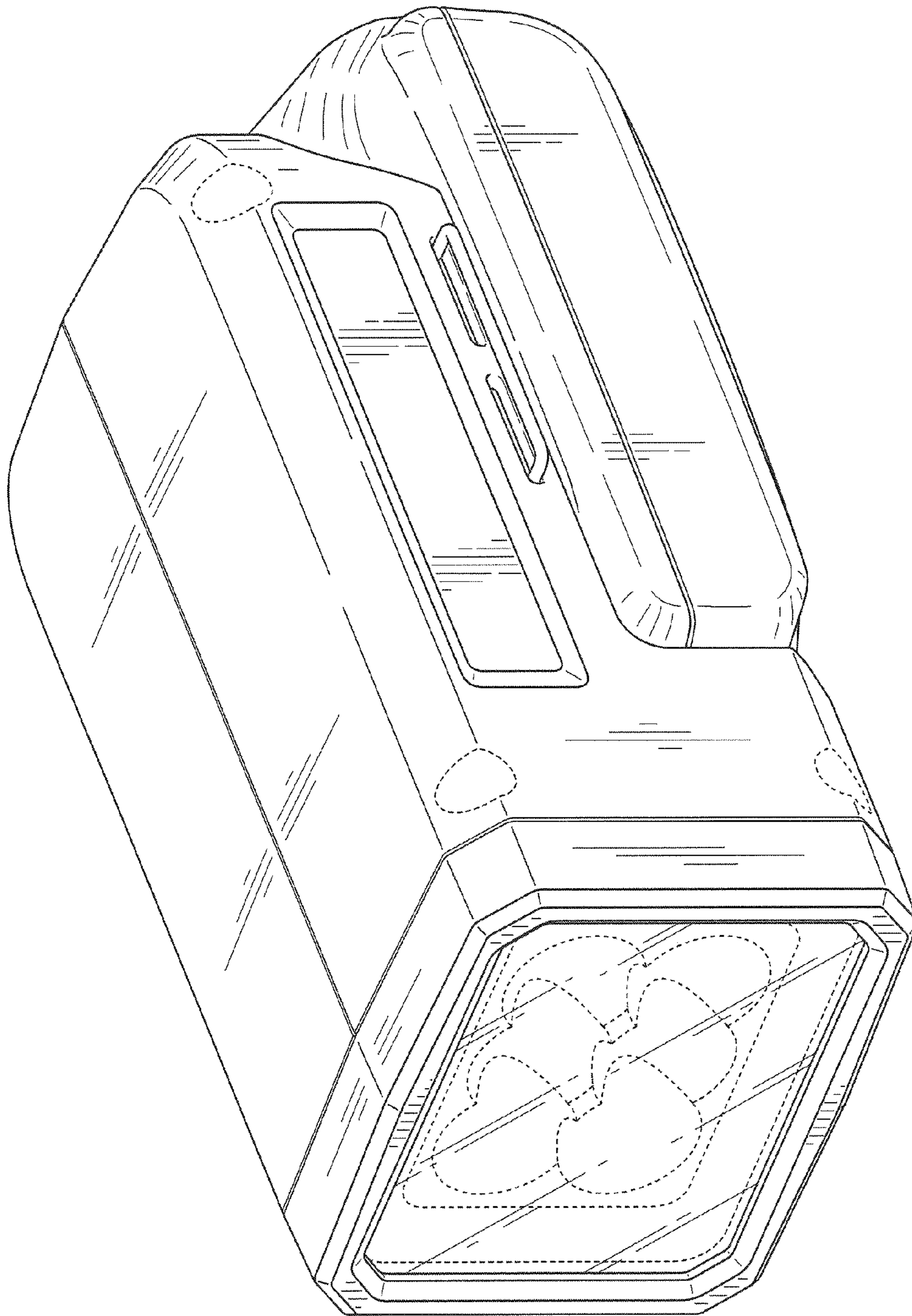


FIG. 1

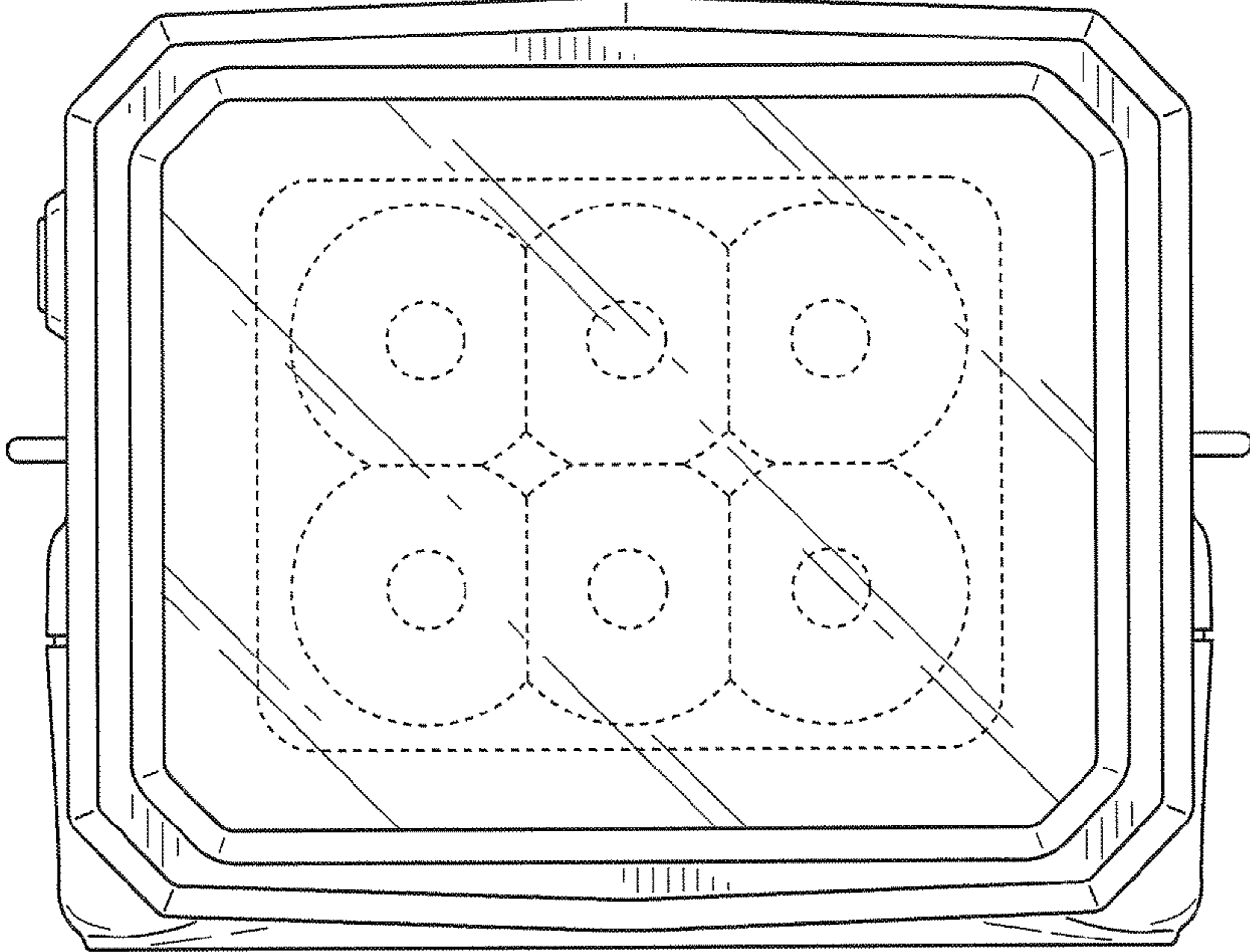


FIG. 2

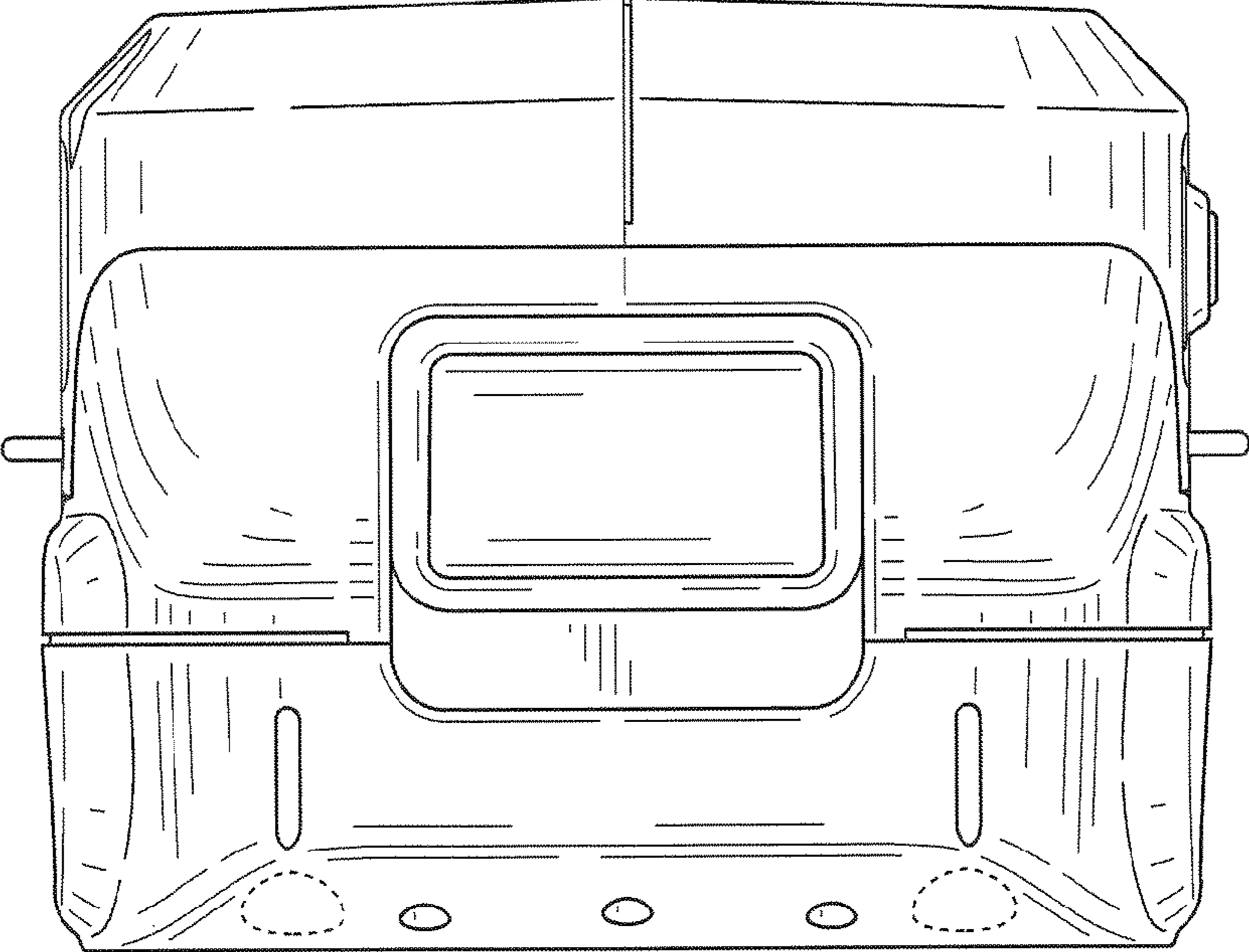


FIG. 3

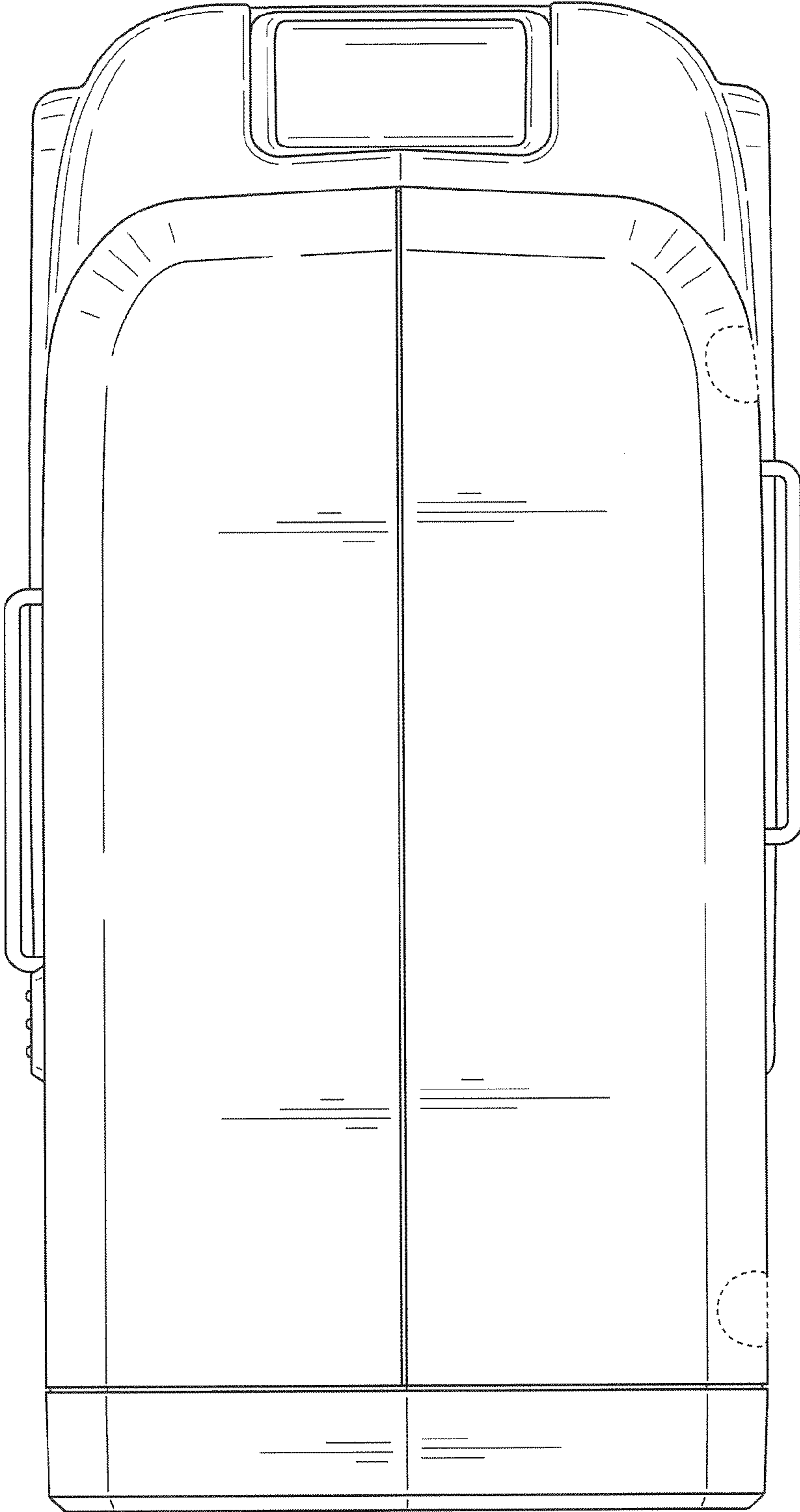


FIG. 4

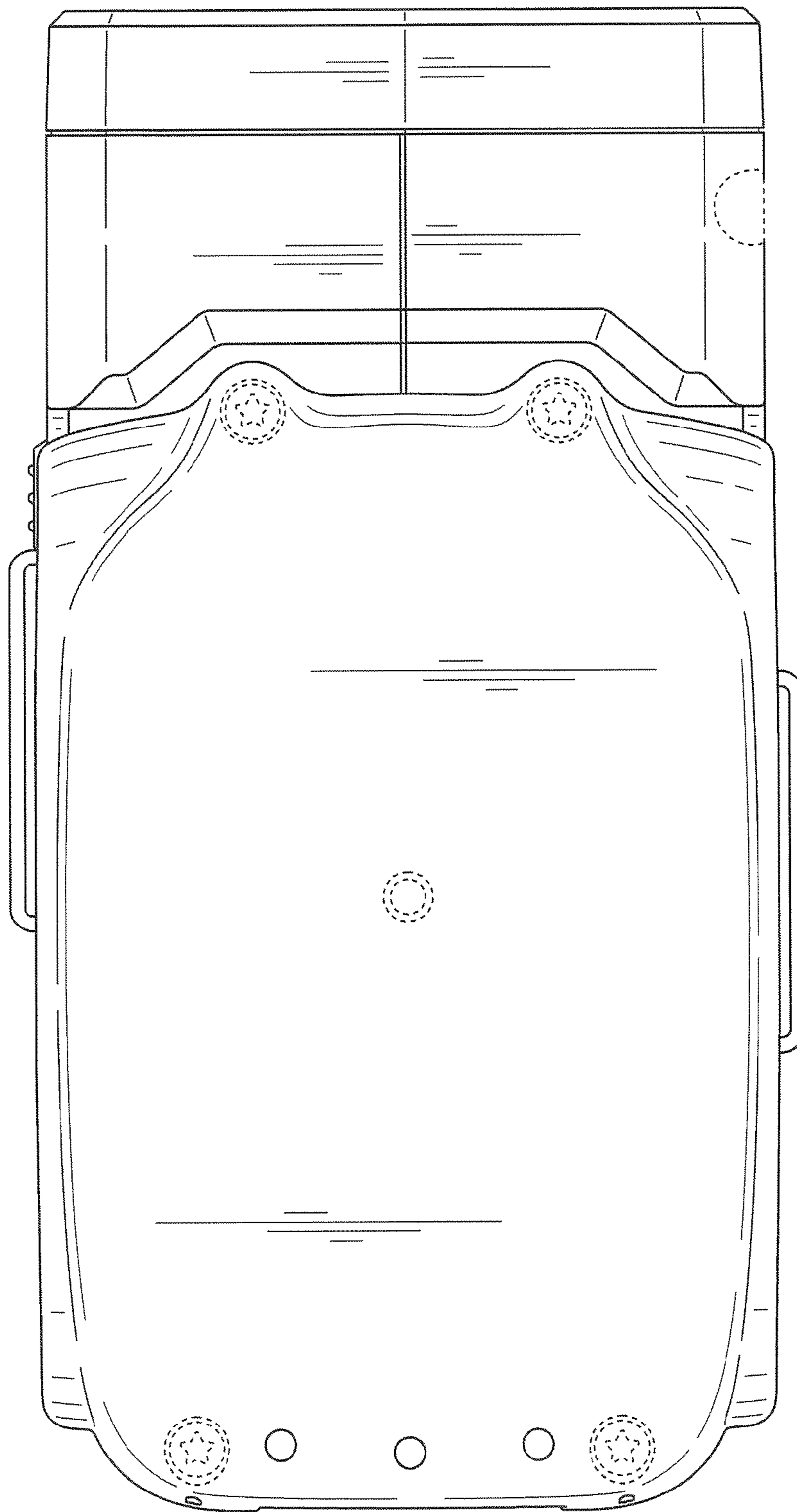


FIG. 5

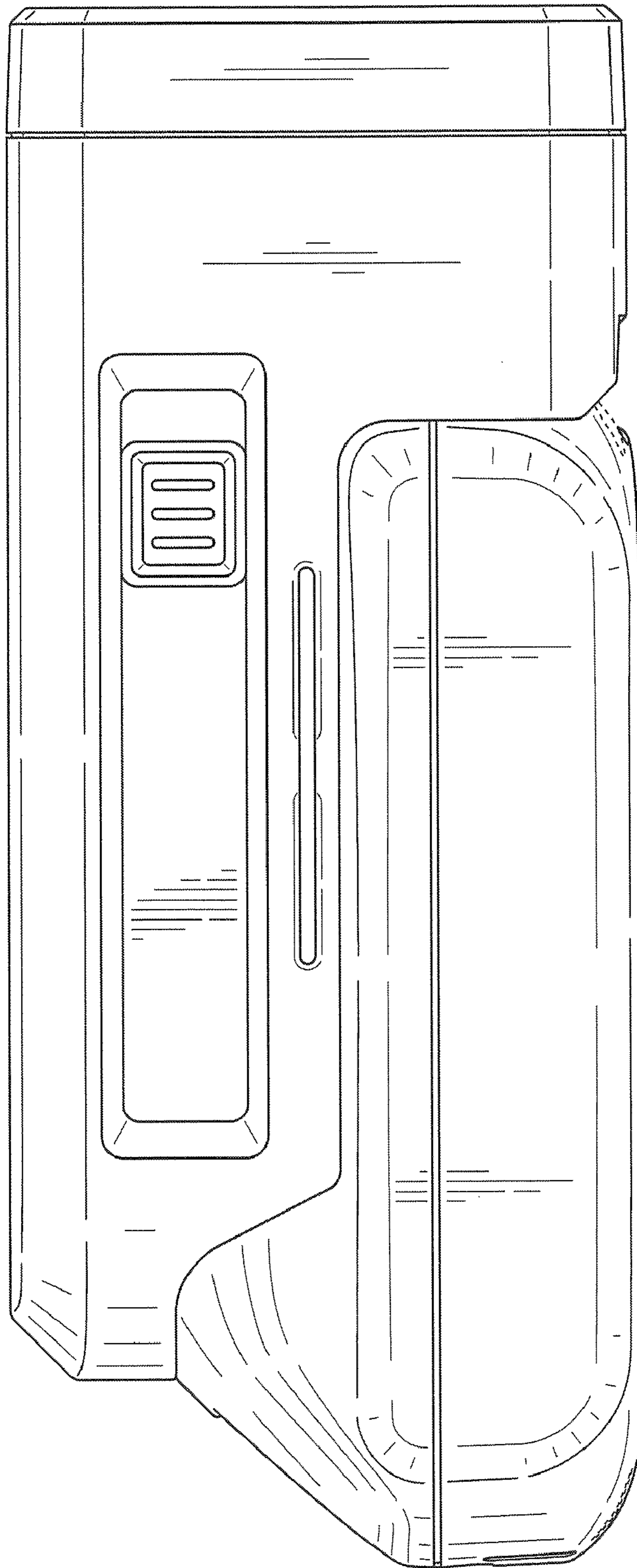


FIG. 6

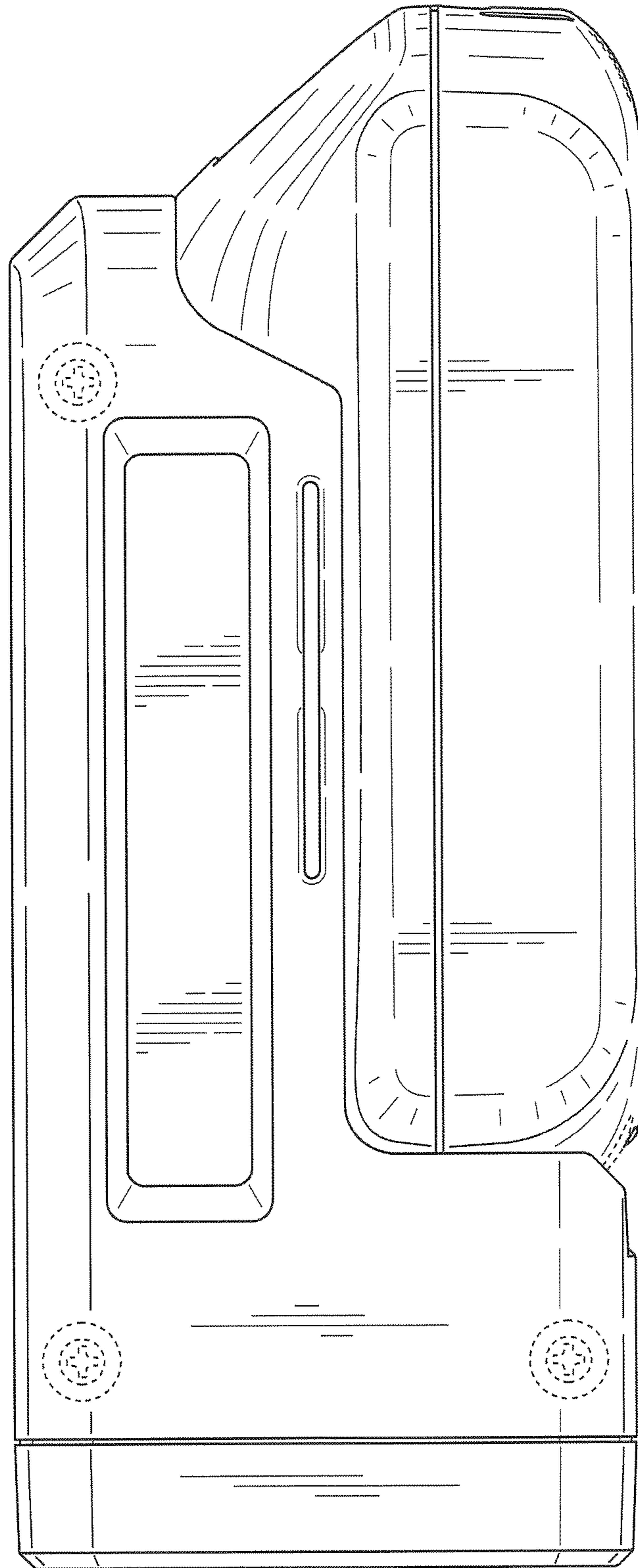


FIG. 7