

US00D643135S

(12) **United States Design Patent**
Wan et al.

(10) **Patent No.:** **US D643,135 S**

(45) **Date of Patent:** **** Aug. 9, 2011**

(54) **LED BULB**

(75) Inventors: **Yehua Wan**, Zhejiang (CN); **Fang Chen**, Zhejiang (CN); **Jinqiang Gu**, Zhejiang (CN)

(73) Assignee: **Jinxiang Shen**, Wuzhen Town, Tongxiang, Zhejiang (CN)

(**) Term: **14 Years**

(21) Appl. No.: **29/369,279**

(22) Filed: **Sep. 4, 2010**

(30) **Foreign Application Priority Data**

Jun. 9, 2010 (CN) 2010 3 0200753

(51) **LOC (9) Cl.** **26-04**

(52) **U.S. Cl.** **D26/2**

(58) **Field of Classification Search** D26/1-5, D26/120, 138, 113; 313/313, 315, 316, 317, 313/318, 493; 315/52, 53, 56, 57, 58; 362/290, 362/294, 309; D13/180, 110; D21/505
See application file for complete search history.

(56) **References Cited**

U.S. PATENT DOCUMENTS

D311,939	S *	11/1990	Andersen	D21/505
6,064,155	A *	5/2000	Maya et al.	315/56
6,220,722	B1 *	4/2001	Begemann	362/231
6,499,860	B2 *	12/2002	Begemann	362/230
6,523,978	B1 *	2/2003	Huang	362/249.04
D479,616	S *	9/2003	Kakuno et al.	D26/3
6,634,770	B2 *	10/2003	Cao	362/294
D506,840	S *	6/2005	Van de Ven et al.	D26/2
D534,665	S *	1/2007	Egawa et al.	D26/2
D567,967	S *	4/2008	Orban et al.	D26/2

7,513,653	B1 *	4/2009	Liu et al.	362/294
D592,088	S *	5/2009	Miller	D10/114.8
7,585,090	B2 *	9/2009	Wu	362/249.02
7,703,949	B2 *	4/2010	Lai	362/294
D617,920	S *	6/2010	Hiraga et al.	D26/2
D618,738	S *	6/2010	Bodin et al.	D21/505
7,758,223	B2 *	7/2010	Osawa et al.	362/547
7,832,899	B2 *	11/2010	Zheng	362/249.02
D634,451	S *	3/2011	de Visser	D26/2
7,922,363	B2 *	4/2011	Yang et al.	362/294
2004/0114367	A1 *	6/2004	Li	362/248
2006/0232974	A1 *	10/2006	Lee et al.	362/294
2010/0207502	A1 *	8/2010	Cao et al.	313/46
2011/0069500	A1 *	3/2011	Meyer et al.	362/373
2011/0075412	A1 *	3/2011	Wu et al.	362/235
2011/0095687	A1 *	4/2011	Jonsson	315/51
2011/0109218	A1 *	5/2011	Giacomin	313/46
2011/0115414	A1 *	5/2011	Ku et al.	315/313

* cited by examiner

Primary Examiner — Jeffrey D Asch

(74) *Attorney, Agent, or Firm* — Global IP Services; Tianhua Gu

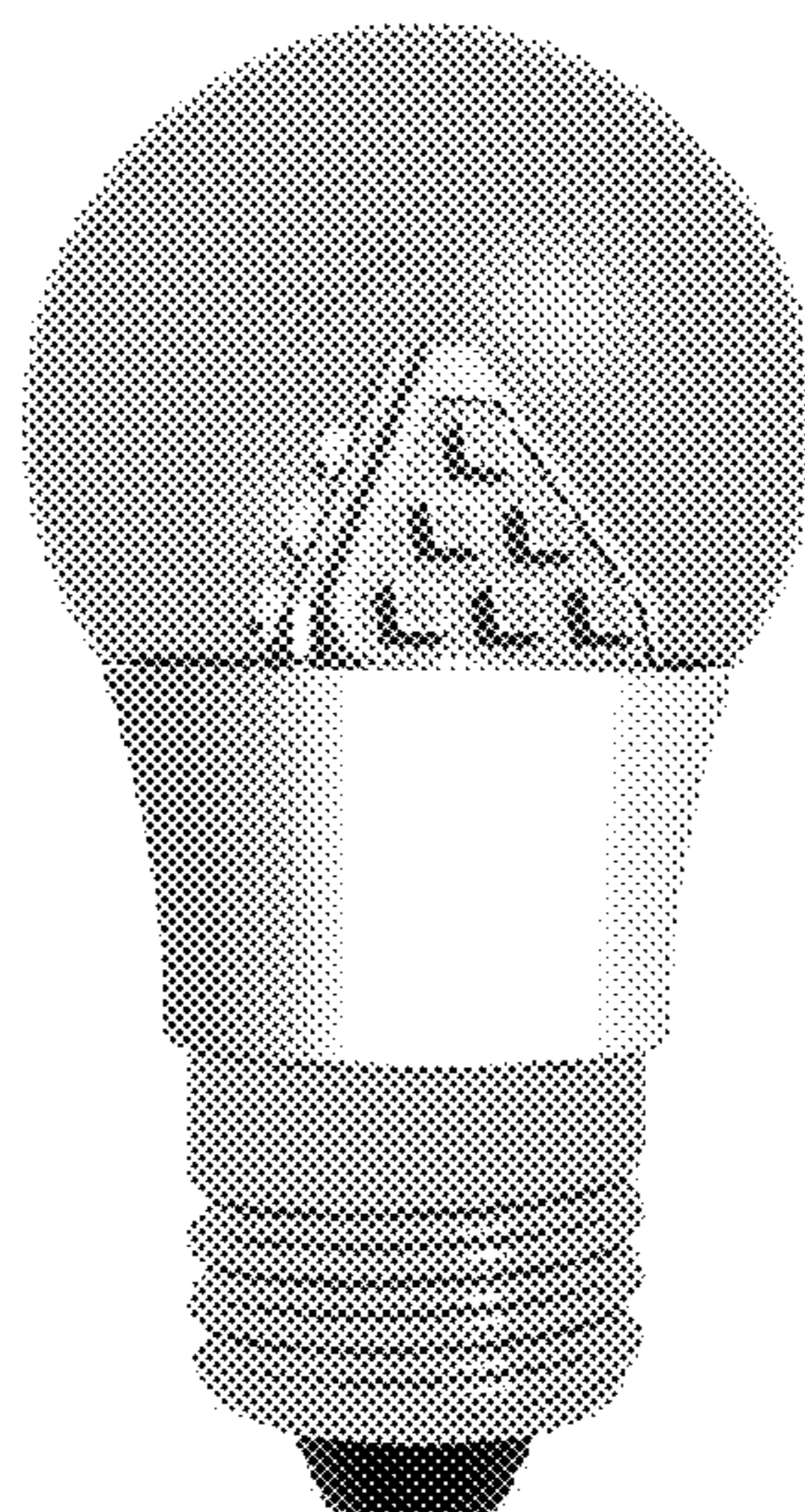
(57) **CLAIM**

The ornamental design for a LED bulb, as shown and described.

DESCRIPTION

FIG. 1 is a front perspective view of a LED bulb showing our new design;
FIG. 2 is a front view thereof;
FIG. 3 is a back view thereof;
FIG. 4 is a right side view thereof;
FIG. 5 is a left side view thereof;
FIG. 6 is a top view thereof; and,
FIG. 7 is a bottom view thereof.

1 Claim, 4 Drawing Sheets



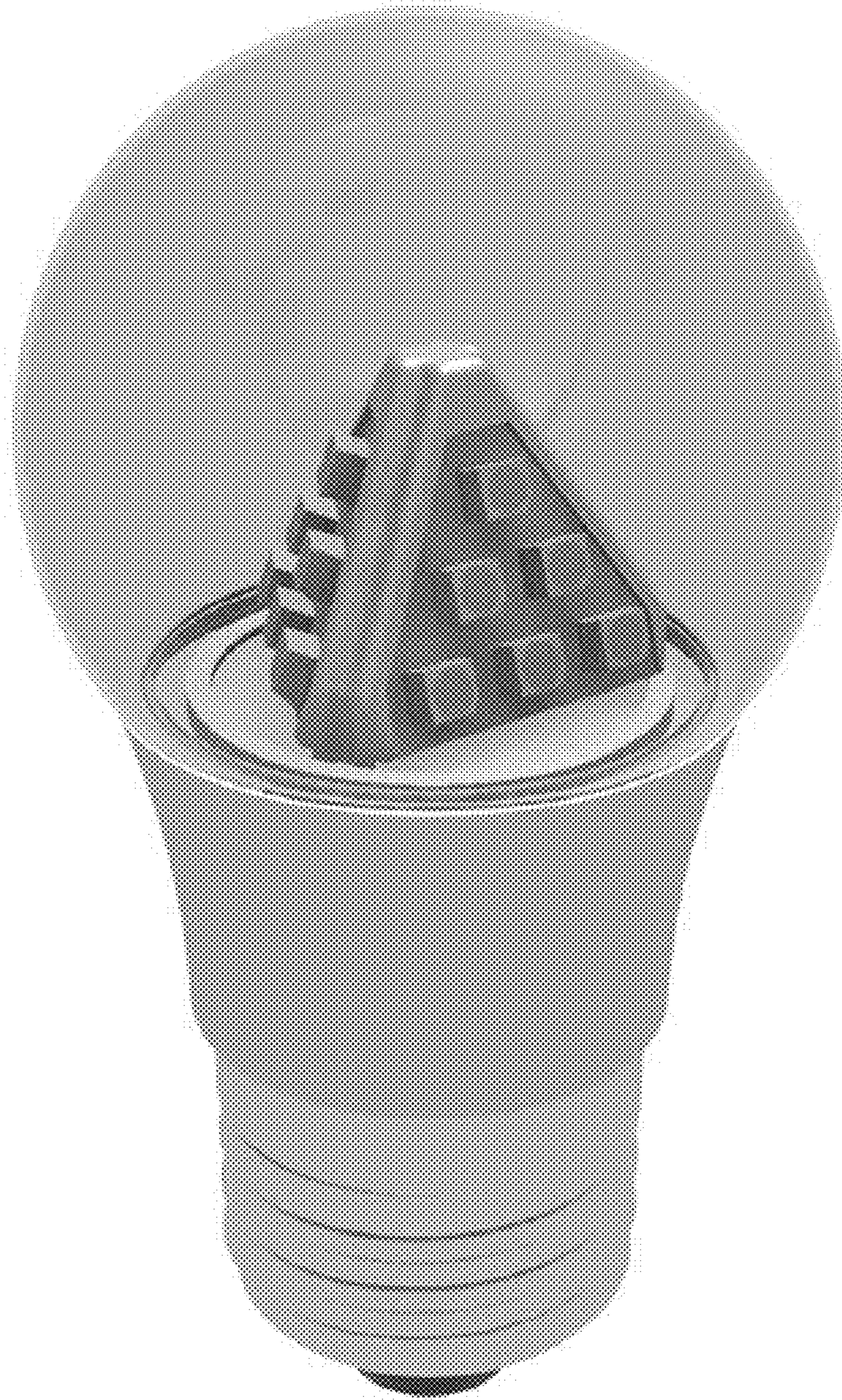


Fig. 1

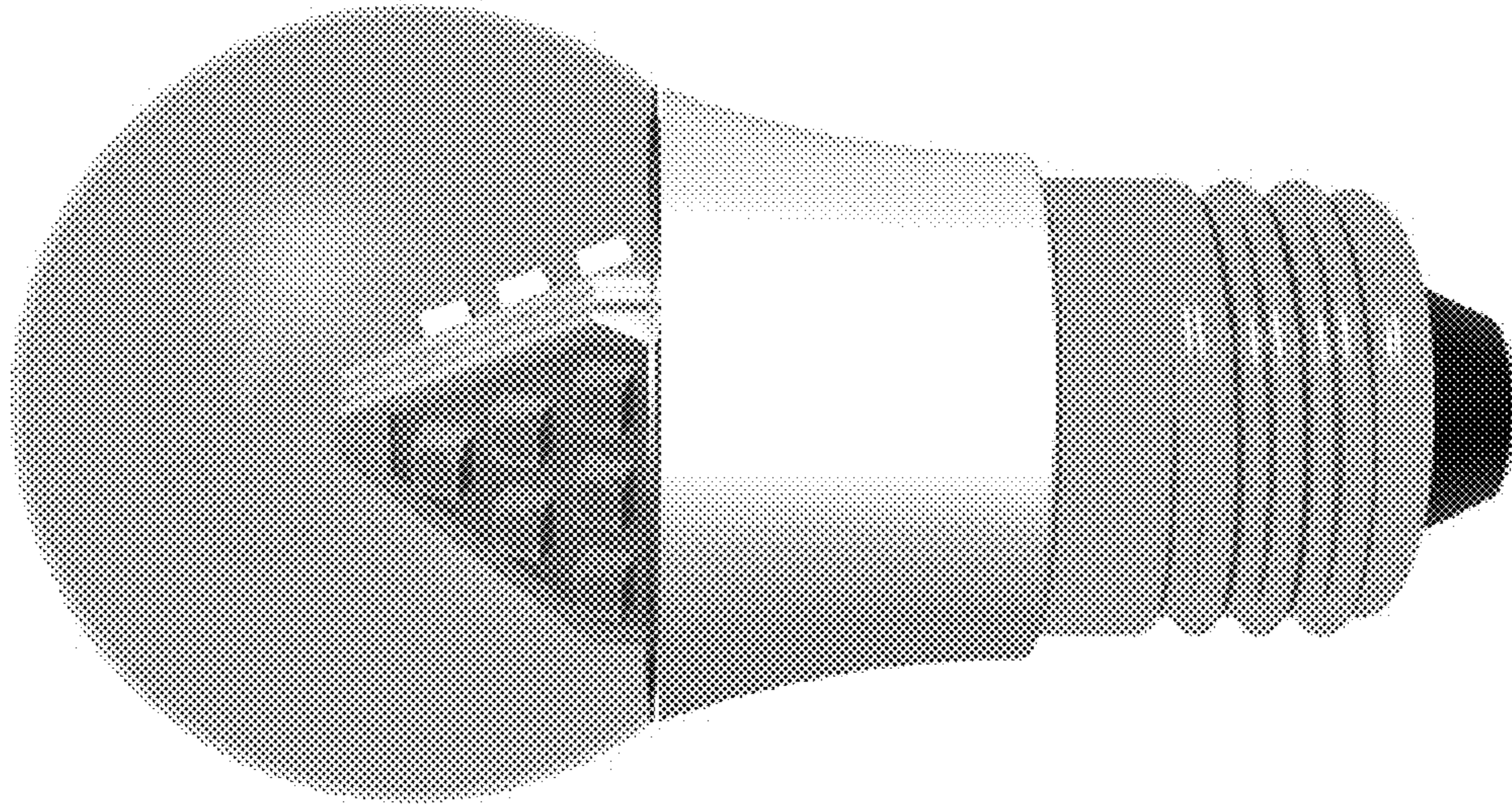


Fig. 3

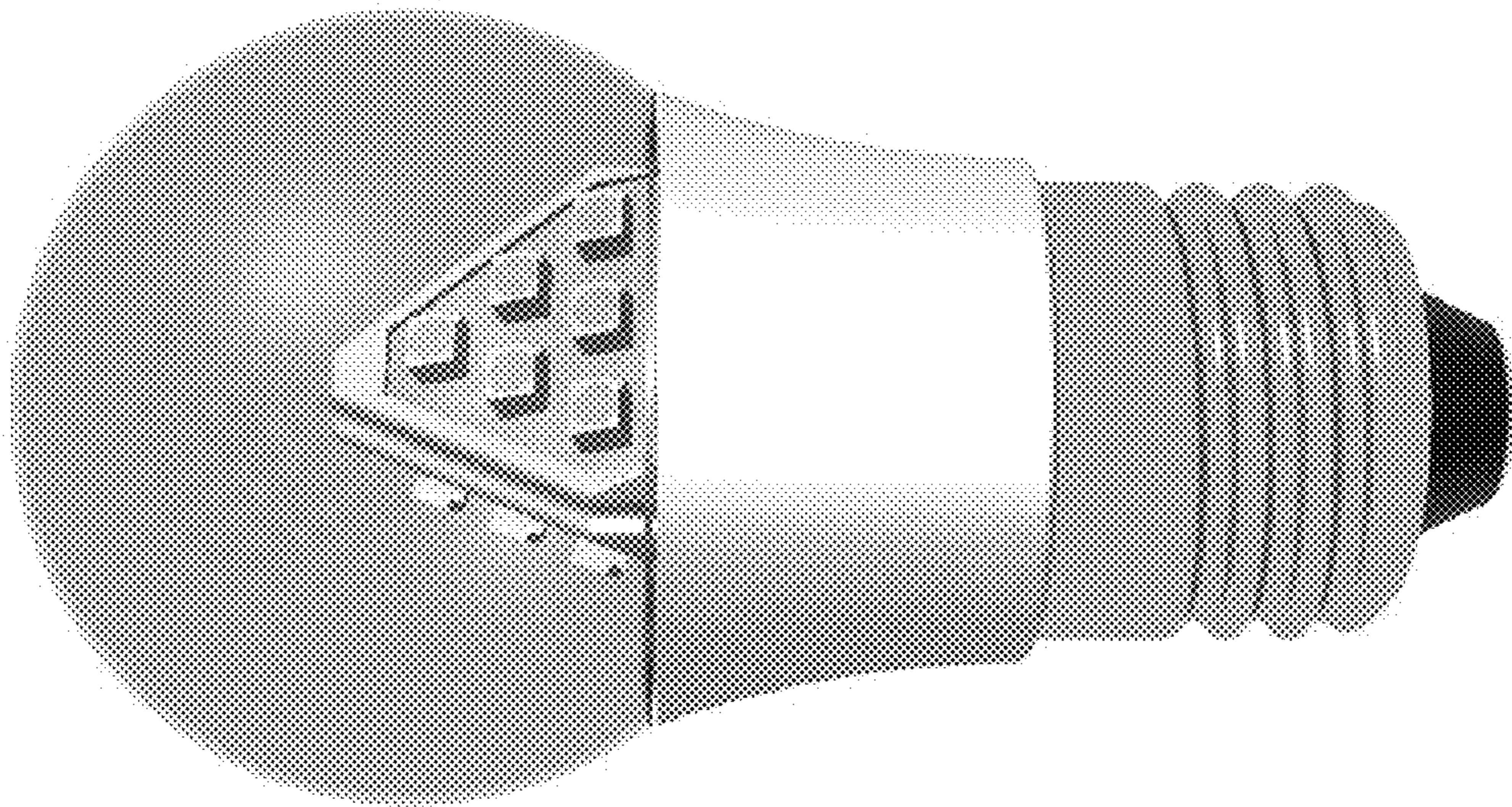


Fig. 2

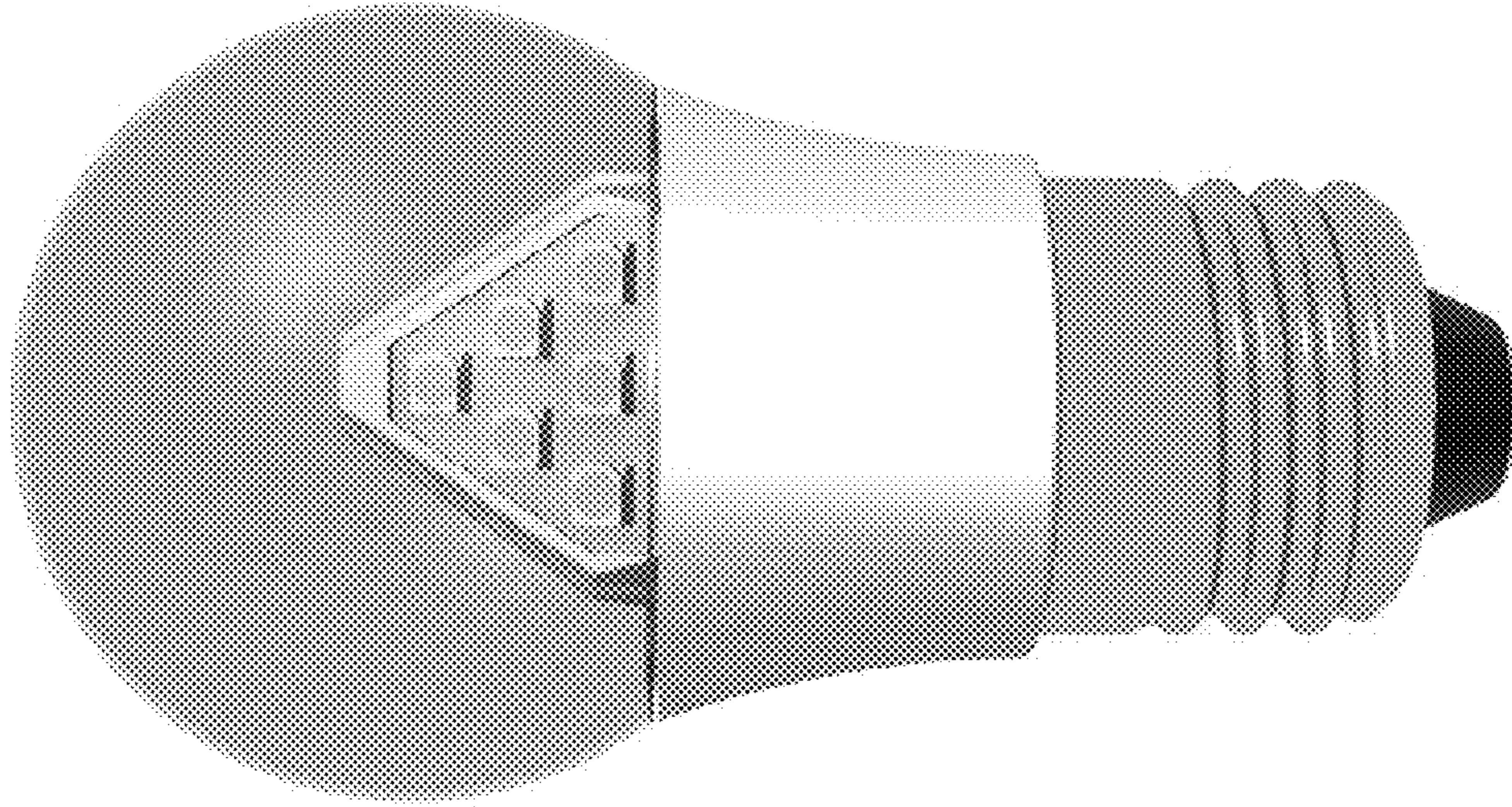


Fig. 5

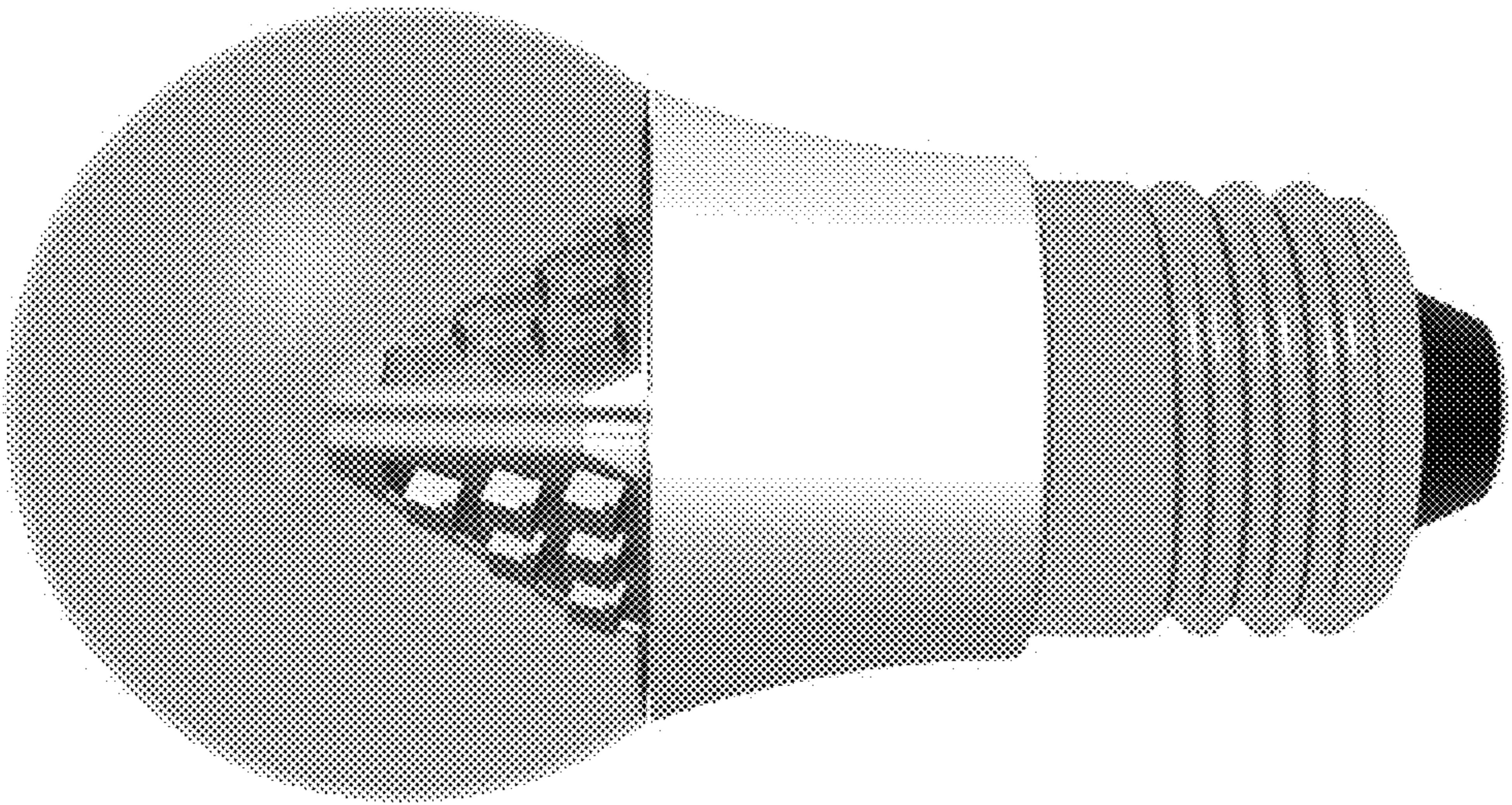


Fig. 4

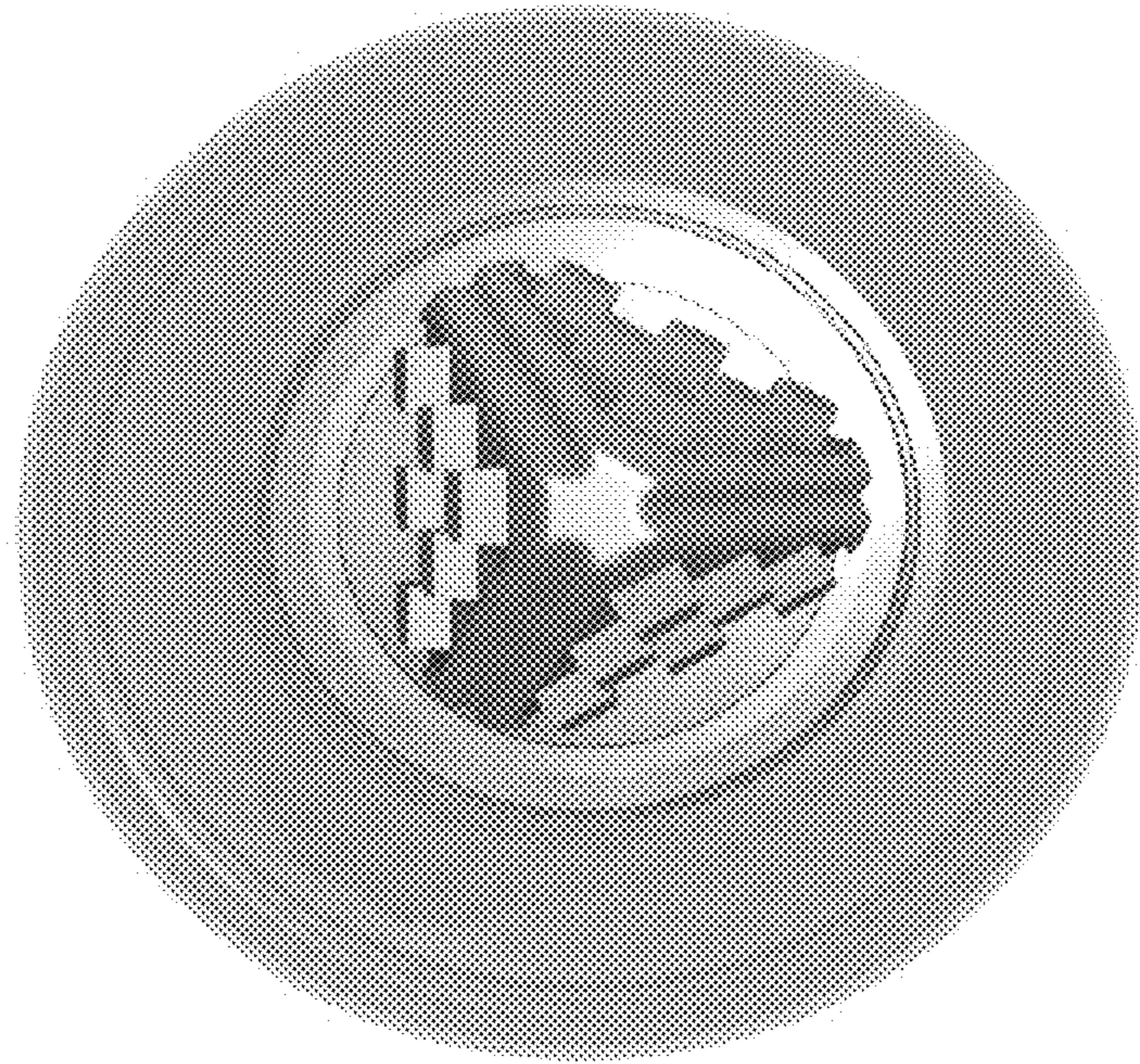


Fig. 6

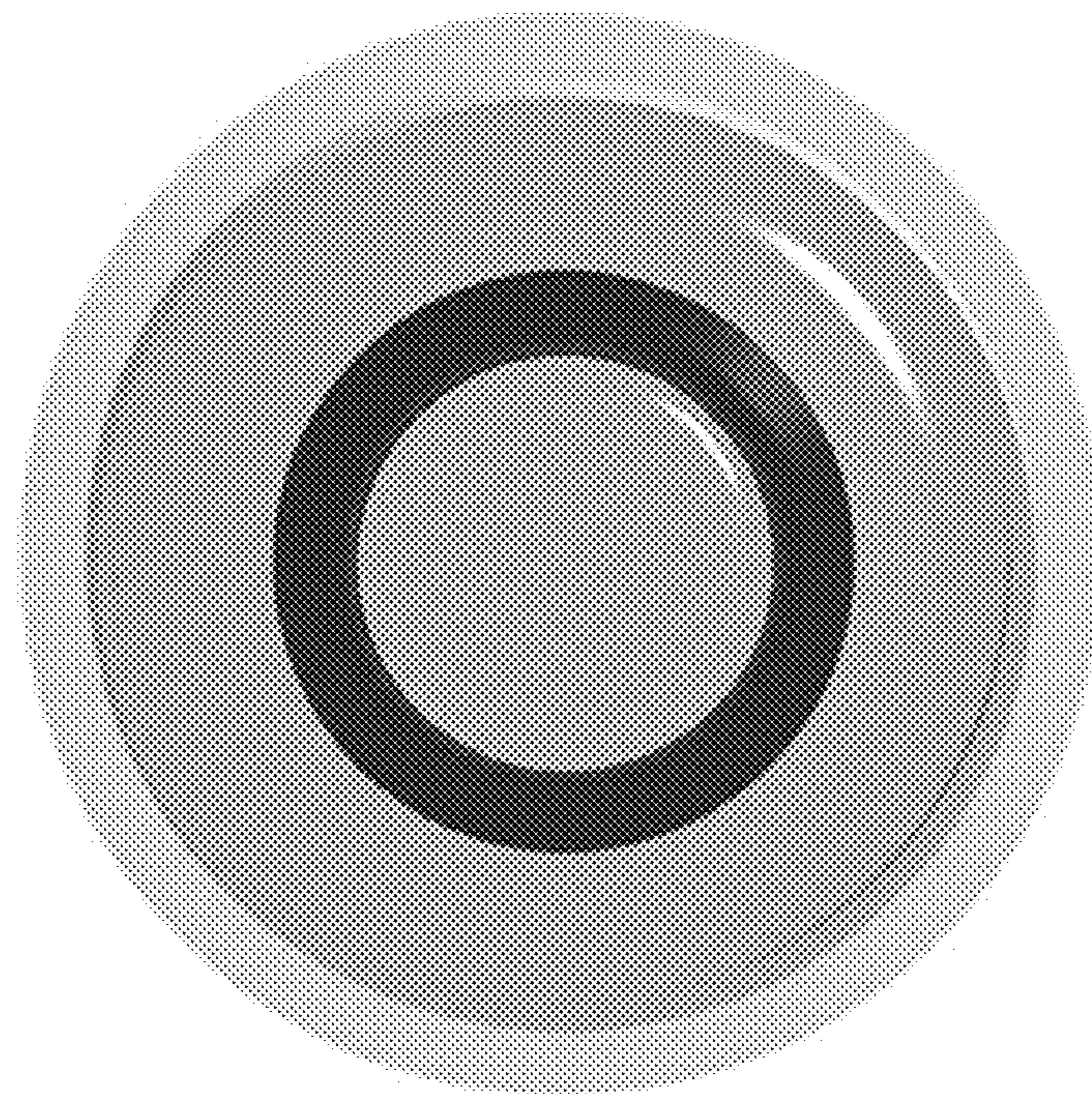


Fig. 7