



US00D643132S

(12) **United States Design Patent**
MacKenzie

(10) **Patent No.:** **US D643,132 S**

(45) **Date of Patent:** **** Aug. 9, 2011**

(54) **INTERLOCKING FLUTED STRIP**

(76) **Inventor:** **Douglas A. MacKenzie**, Marshall, NC
(US)

(**) **Term:** **14 Years**

(21) **Appl. No.:** **29/357,801**

(22) **Filed:** **Mar. 17, 2010**

(51) **LOC (9) Cl.** **25-01**

(52) **U.S. Cl.** **D25/126; D25/138**

(58) **Field of Classification Search** D25/126,
D25/199, 55, 138; 52/301, 478, 578, 583.1,
52/586.2

See application file for complete search history.

(56) **References Cited**

U.S. PATENT DOCUMENTS

3,420,028	A *	1/1969	Barker	52/588.1
4,606,167	A	8/1986	Thorne		
4,912,901	A	4/1990	Jerry		
D336,687	S *	6/1993	Schremmer	D25/138
5,266,738	A	11/1993	MacVoy		
5,311,713	A	5/1994	Goodrich		
5,335,471	A	8/1994	Kupiec		
5,956,920	A	9/1999	Davis		
6,167,673	B1	1/2001	Fournier		
6,176,062	B1	1/2001	Fayle		

6,305,140	B1	10/2001	Knight		
6,357,196	B1 *	3/2002	McCombs	52/845
7,168,220	B2	1/2007	Owoc et al.		
D577,834	S *	9/2008	Espinosa	D25/126

OTHER PUBLICATIONS

H.E. Williams, Inc., Carthage, MO, Decorative Tapered and Stepped Aluminum Pole and Base, Oct. 28, 2008, 2 pgs.
Allen Architectural Metals, Inc. Vol. 2 Products Portfolio, 2006-2007, 20 pgs.

* cited by examiner

Primary Examiner — Doris Clark

(74) *Attorney, Agent, or Firm* — Brinks Hofer Gilson & Lione

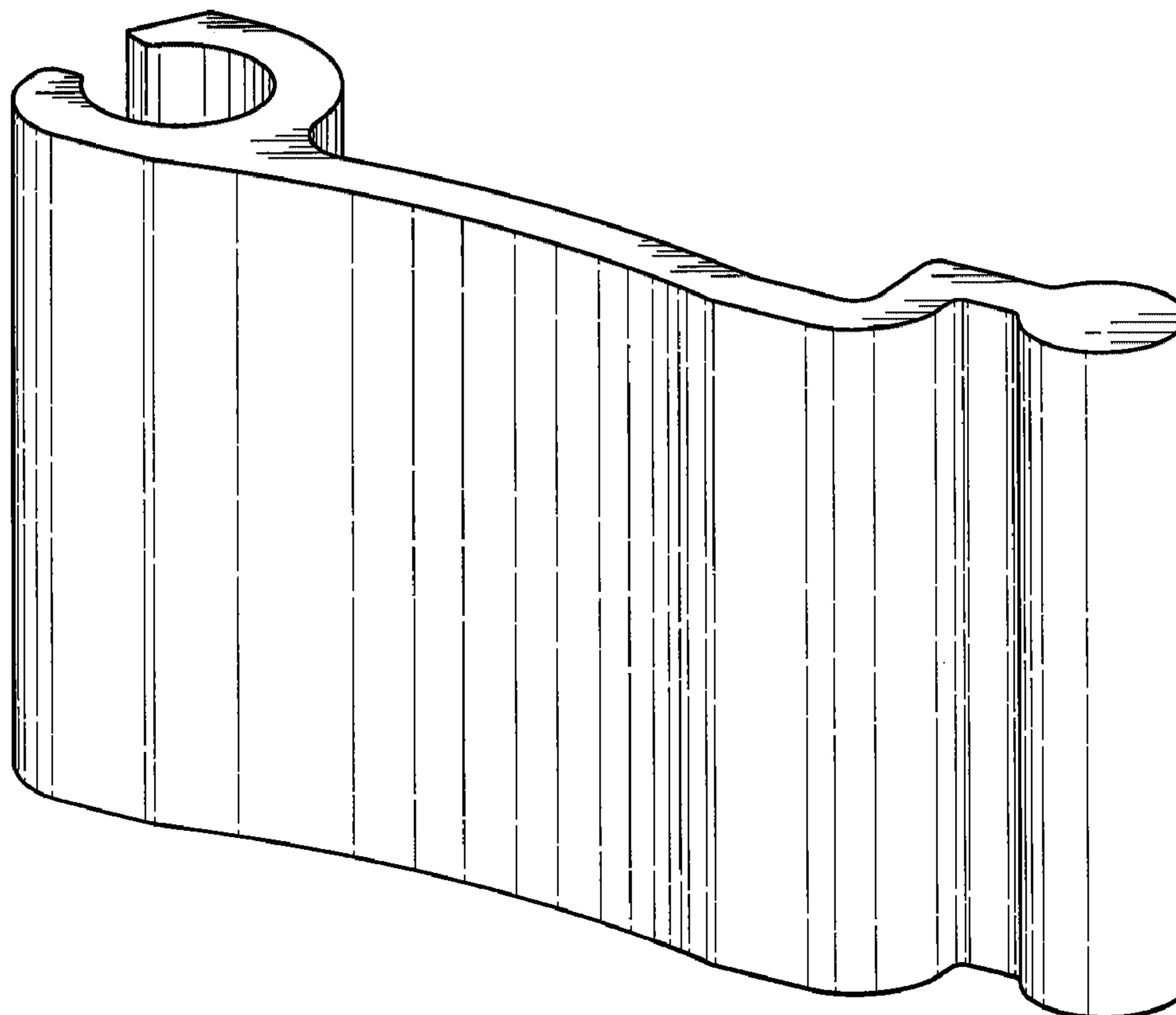
(57) **CLAIM**

The ornamental design for an interlocking fluted strip, as shown and described.

DESCRIPTION

FIG. 1 is a perspective view of an interlocking fluted strip, showing my new, original and ornamental design;
FIG. 2 is a front elevational view thereof;
FIG. 3 is a rear elevational view thereof;
FIG. 4 is a bottom plan view thereof;
FIG. 5 is a top plan view thereof;
FIG. 6 is a left side elevational view thereof; and,
FIG. 7 is a right side elevational view thereof.

1 Claim, 4 Drawing Sheets



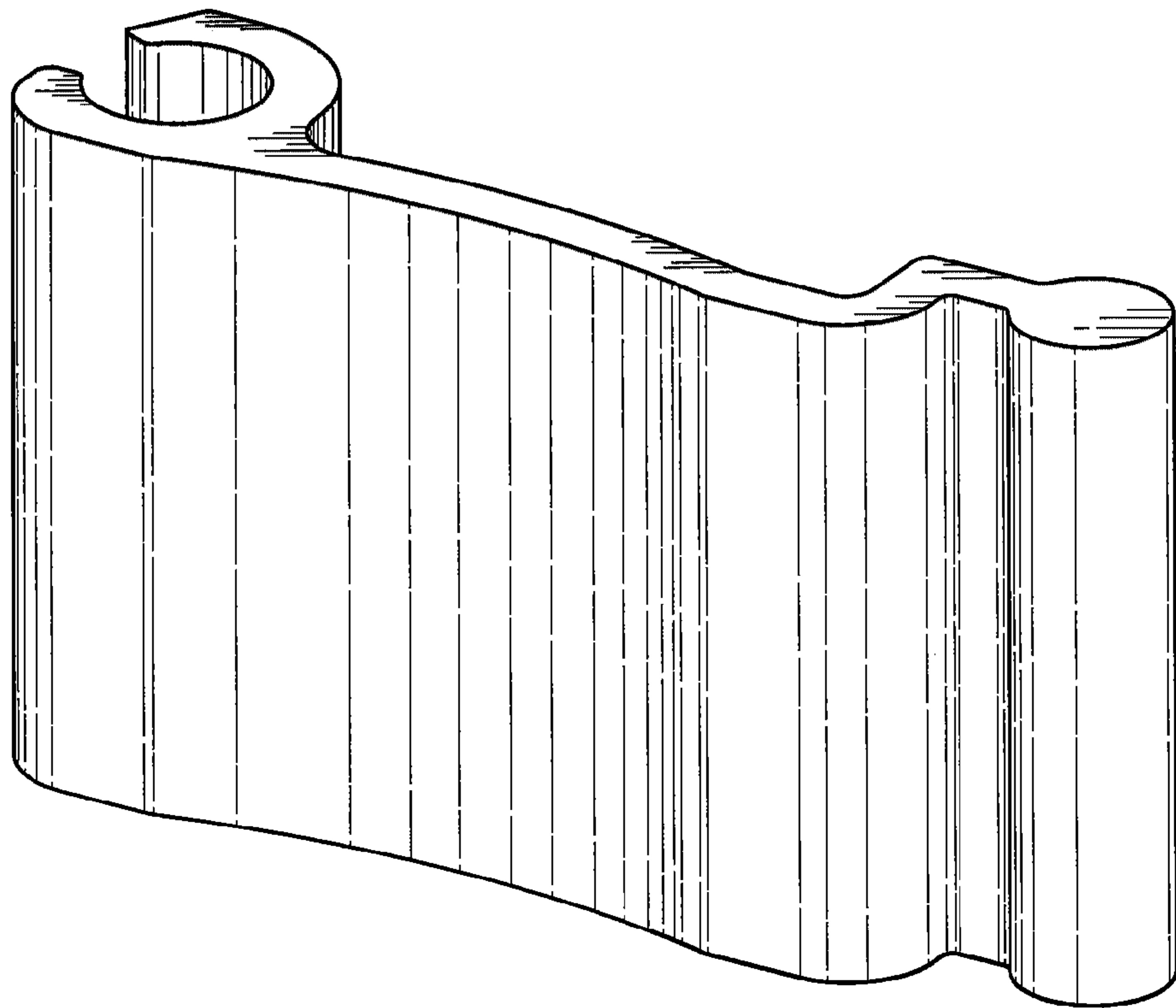


Fig. 1

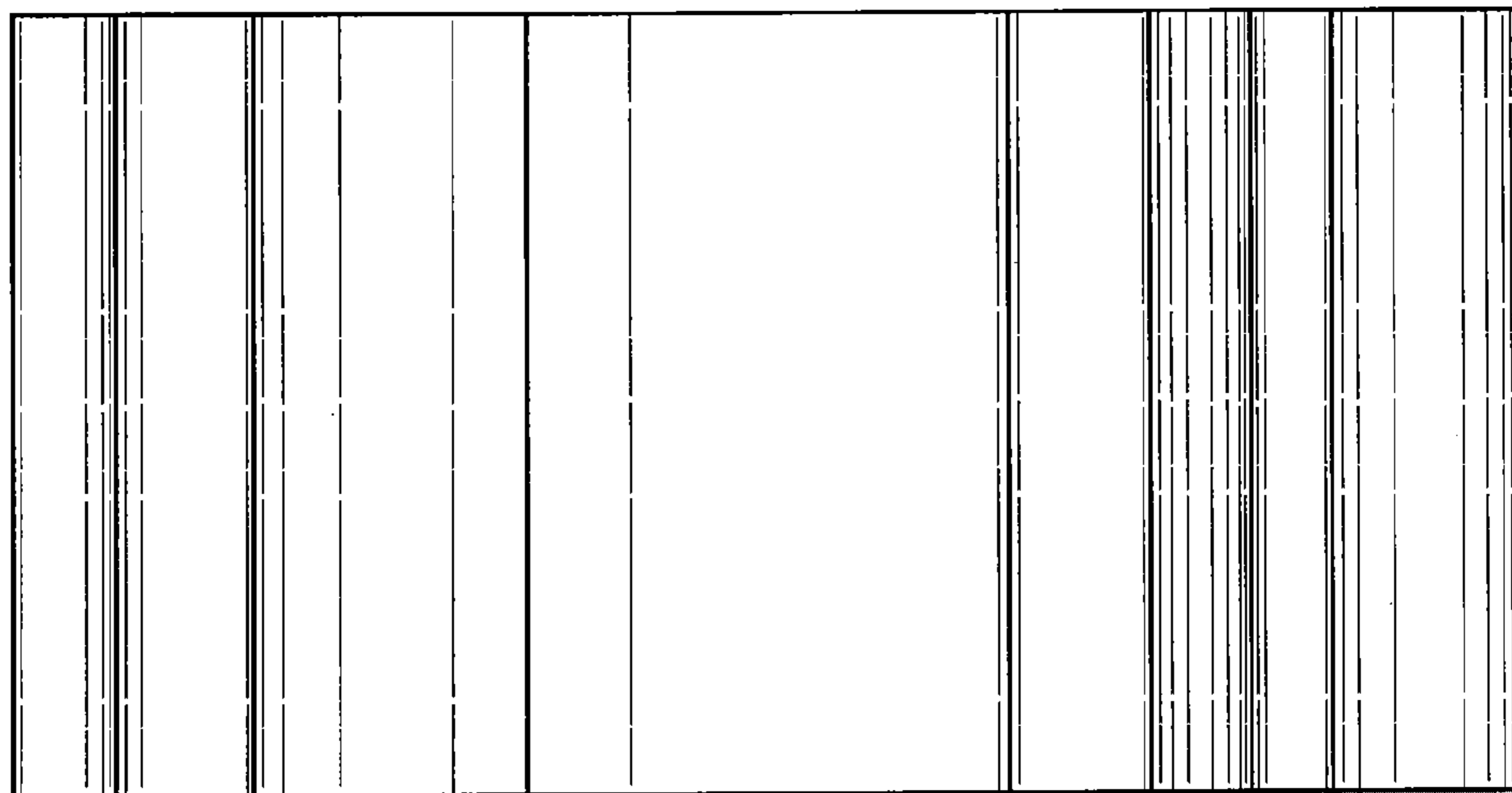


Fig. 2

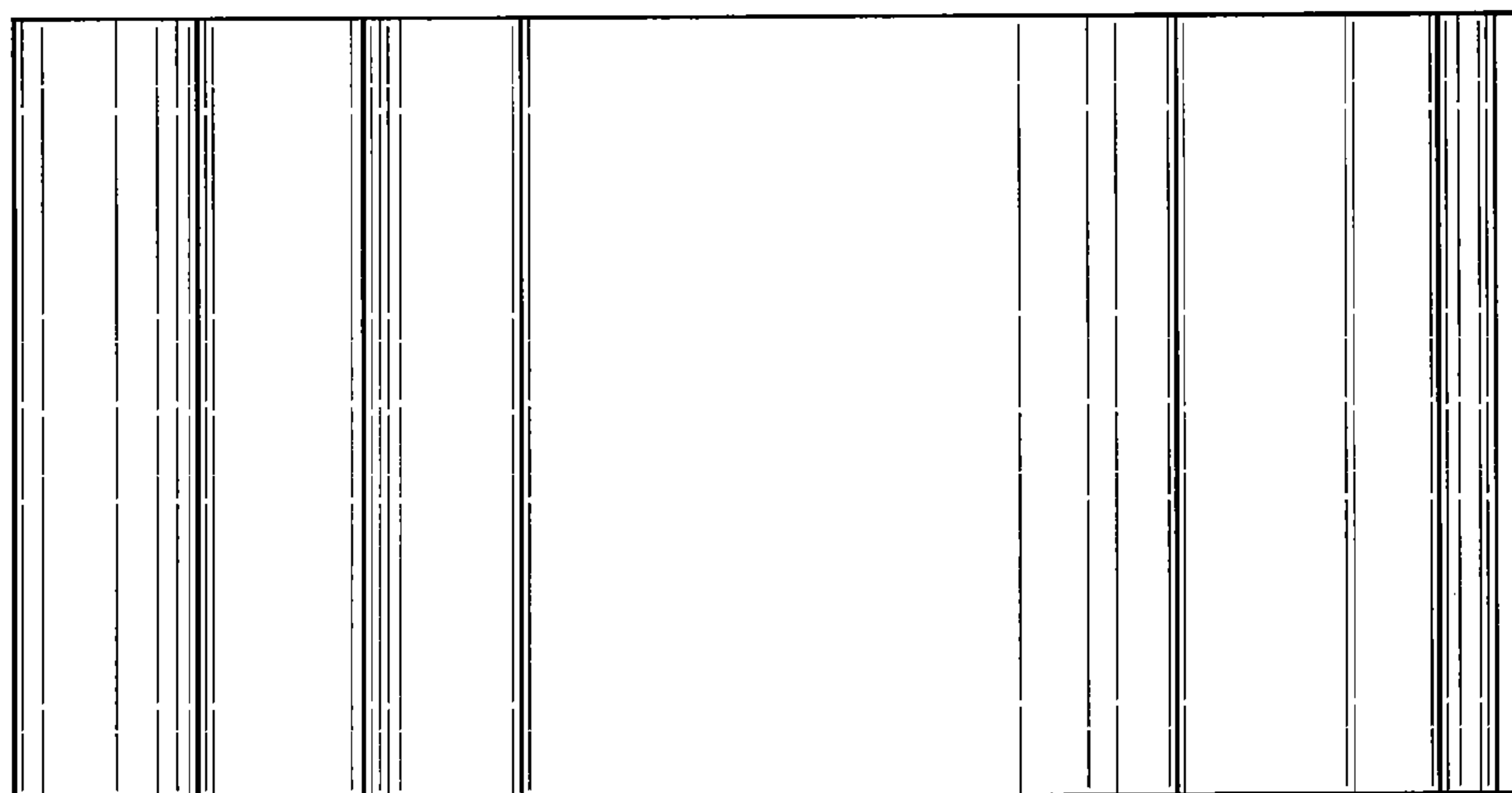


Fig. 3

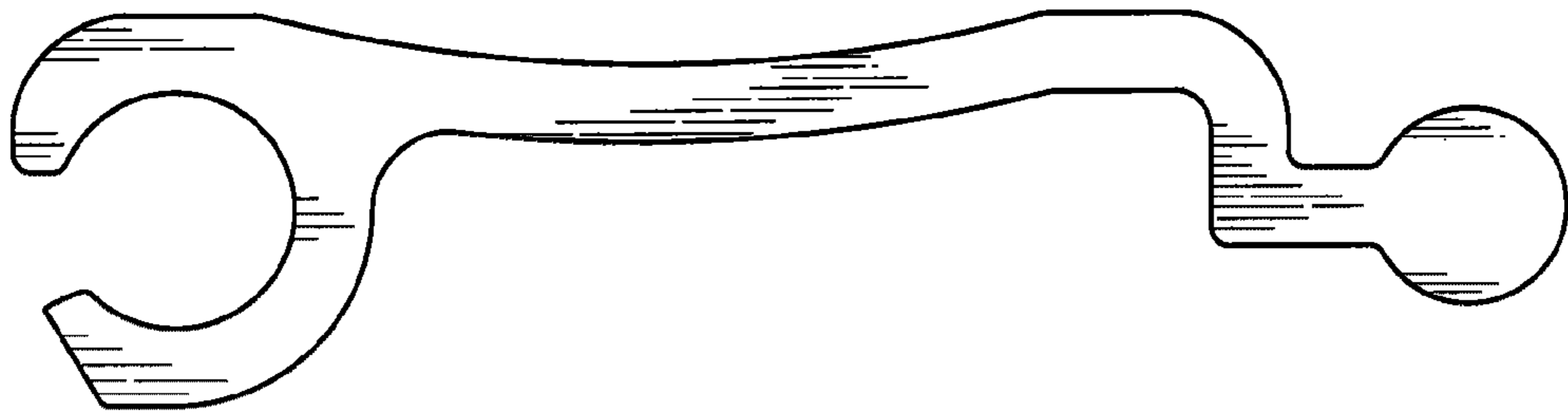


Fig. 4



Fig. 5

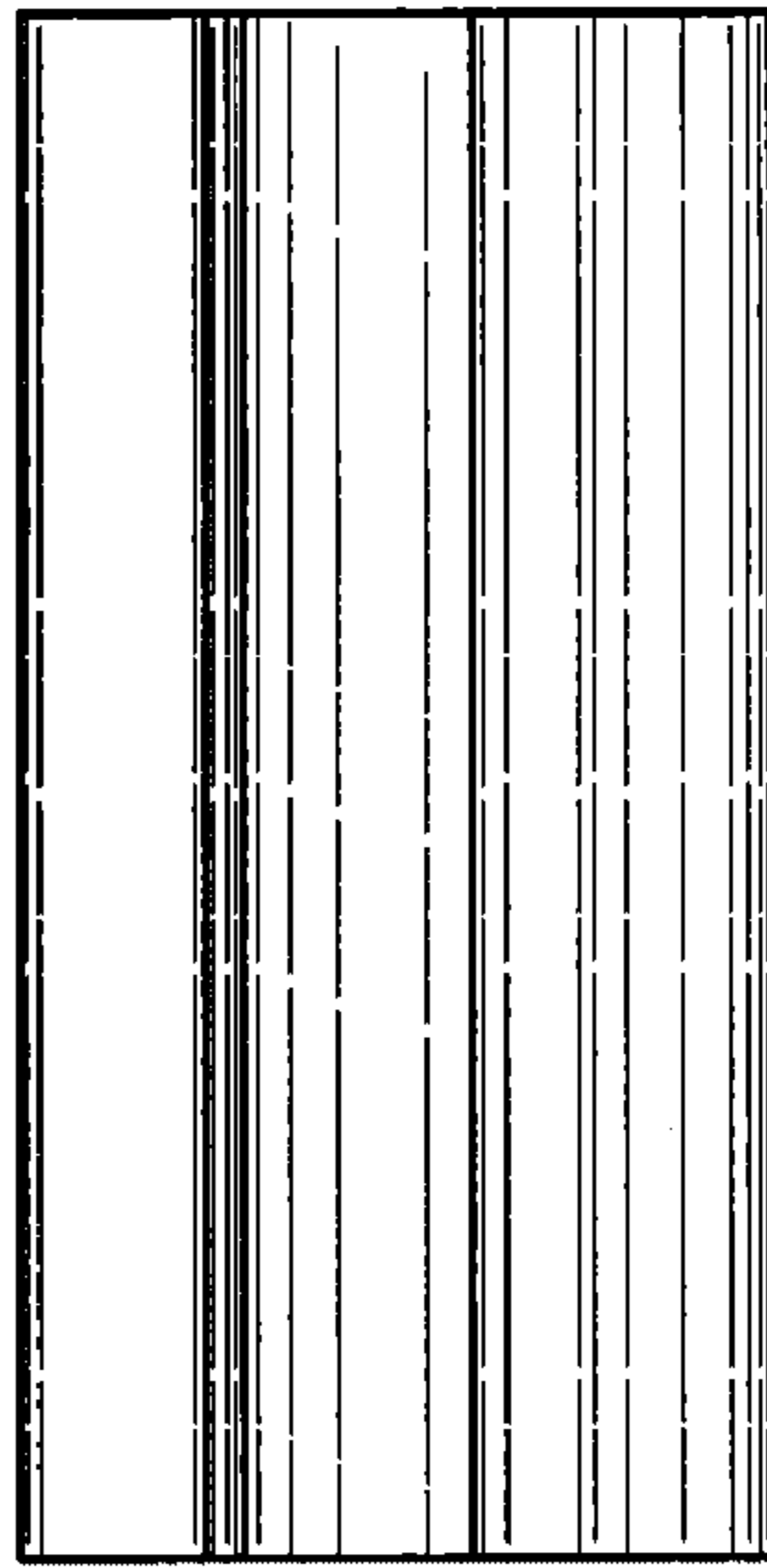


Fig. 6

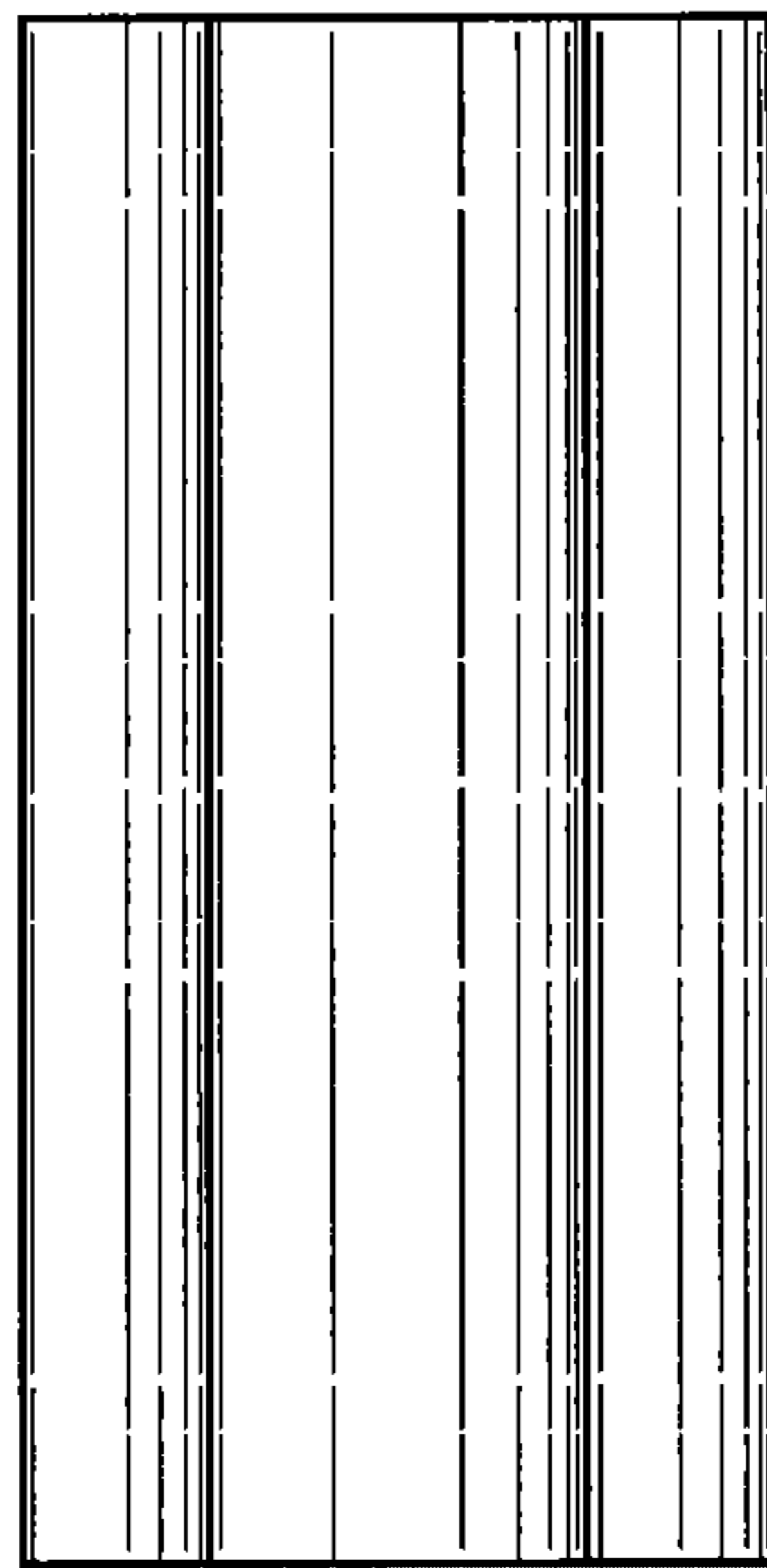


Fig. 7