



US00D643131S

(12) **United States Design Patent**
Howard

(10) **Patent No.:** **US D643,131 S**
(45) **Date of Patent:** **** Aug. 9, 2011**

(54) **HINGED, CONVERTIBLE GREENHOUSE**
(75) Inventor: **Jeffrey E. Howard**, Missoula, MT (US)
(73) Assignee: **The Convertible Greenhouse Company, LLC**, Missoula, MT (US)

D362,729 S * 9/1995 Kitchel D25/11
5,479,744 A * 1/1996 Meyer 52/63
5,605,007 A * 2/1997 Hinsperger 47/17
5,740,826 A * 4/1998 Nevin et al. 135/88.06
5,746,237 A * 5/1998 Arnic 135/88.06
5,842,495 A * 12/1998 Egnew et al. 135/133
6,098,335 A * 8/2000 Brown, Jr. 47/17

(**) Term: **14 Years**

(Continued)

(21) Appl. No.: **29/385,404**

Primary Examiner — T. Chase Nelson
Assistant Examiner — Kathleen M Sims

(22) Filed: **Feb. 14, 2011**

(74) *Attorney, Agent, or Firm* — Sarah J. Rhoades

(51) **LOC (9) Cl.** **25-03**

(52) **U.S. Cl.** **D25/15**

(58) **Field of Classification Search** D25/1,
D25/15, 17, 30, 32; 52/63-64; 47/17; 135/88.06,
135/119, 133-134

(57) **CLAIM**

The ornamental design for a hinged, convertible greenhouse, as shown and described.

See application file for complete search history.

DESCRIPTION

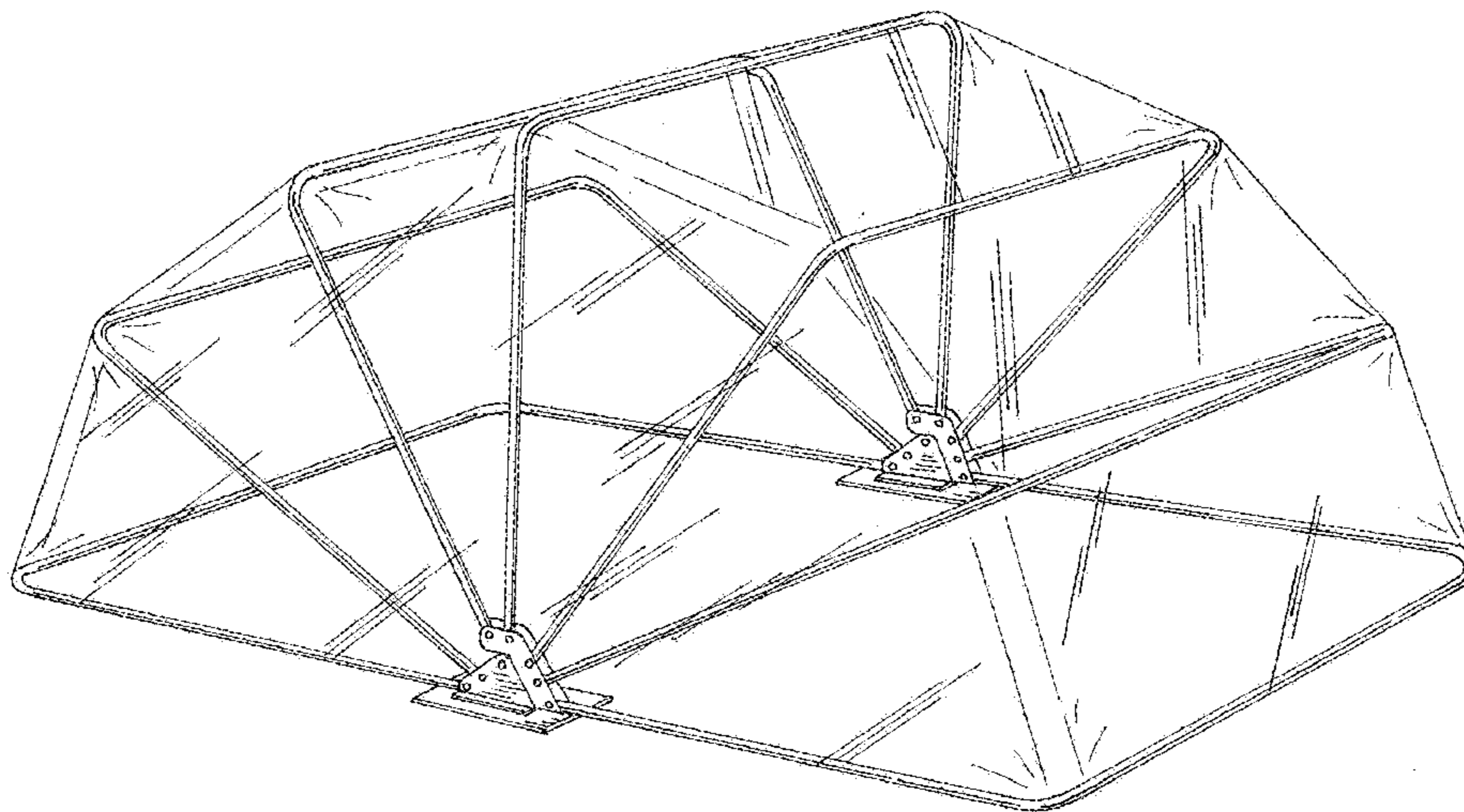
(56) **References Cited**

U.S. PATENT DOCUMENTS

124,239	A *	3/1872	Winslow	135/133
D138,728	S *	9/1944	King	D25/15
2,461,014	A *	2/1949	Welsh	135/134
2,571,362	A *	10/1951	Hervey	135/134
2,598,940	A *	6/1952	Robie	135/133
2,798,501	A *	7/1957	Oliver	135/134
D185,789	S *	8/1959	Mims	D25/15
2,992,503	A *	7/1961	Webb	43/1
3,375,836	A	4/1968	Domeneghetti	
3,441,037	A *	4/1969	Transeau	135/97
3,465,765	A *	9/1969	Henry	135/137
3,474,802	A *	10/1969	Loring	135/125
3,480,023	A *	11/1969	Mcconnell et al.	135/125
3,608,252	A *	9/1971	Bisson	52/19
D228,450	S *	9/1973	Flickinger	D25/15
3,869,827	A	3/1975	Anderson et al.	
D235,434	S *	6/1975	Hemmelsbach	D25/15
D239,170	S *	3/1976	Hansen	D25/15
3,987,597	A *	10/1976	Smrt	52/764
4,014,133	A	3/1977	Brown	
4,263,925	A *	4/1981	Arganbright	135/137
4,827,958	A *	5/1989	Cantwell et al.	135/127
4,886,083	A *	12/1989	Gamache	135/88.06
4,944,321	A *	7/1990	Moyet-Ortiz	135/88.06
5,197,503	A *	3/1993	Chen	135/88.07

FIG. 1 is a front perspective view of a new, ornamental design for a hinged, convertible greenhouse in a fully closed position;
FIG. 2 is a front perspective view of a new, ornamental design for a hinged, convertible greenhouse in a partially open position;
FIG. 3 is a front perspective view of a new, ornamental design for a hinged, convertible greenhouse in a fully open position;
FIG. 4 is a first end elevation view of the hinged, convertible greenhouse as shown in FIG. 1;
FIG. 5 is a second end elevation view of the greenhouse as shown in FIG. 1;
FIG. 6 is a rear elevation view of the hinged, convertible greenhouse as shown in FIG. 1;
FIG. 7 is a front elevation view of the hinged, convertible greenhouse as shown in FIG. 1; and,
FIG. 8 is a top plan view of the new, ornamental design for a hinged, convertible greenhouse in the fully closed position as shown in FIG. 1.
The broken line showing of a garden plot and stipple marks representing soil in FIGS. 2 and 3 are included for the purpose of showing environmental context for the hinged, convertible greenhouse and form no part of the claimed design.

1 Claim, 8 Drawing Sheets



US D643,131 S

Page 2

U.S. PATENT DOCUMENTS			
6,141,902	A *	11/2000	Boice 47/17
6,349,732	B1 *	2/2002	Cooper 135/133
6,776,177	B2 *	8/2004	Wu 135/98
6,938,303	B2	9/2005	Watson et al.
7,614,415	B1 *	11/2009	Wehner 135/126
2004/0159346	A1	8/2004	Huang
2007/0295380	A1 *	12/2007	Glaeser 135/133

* cited by examiner

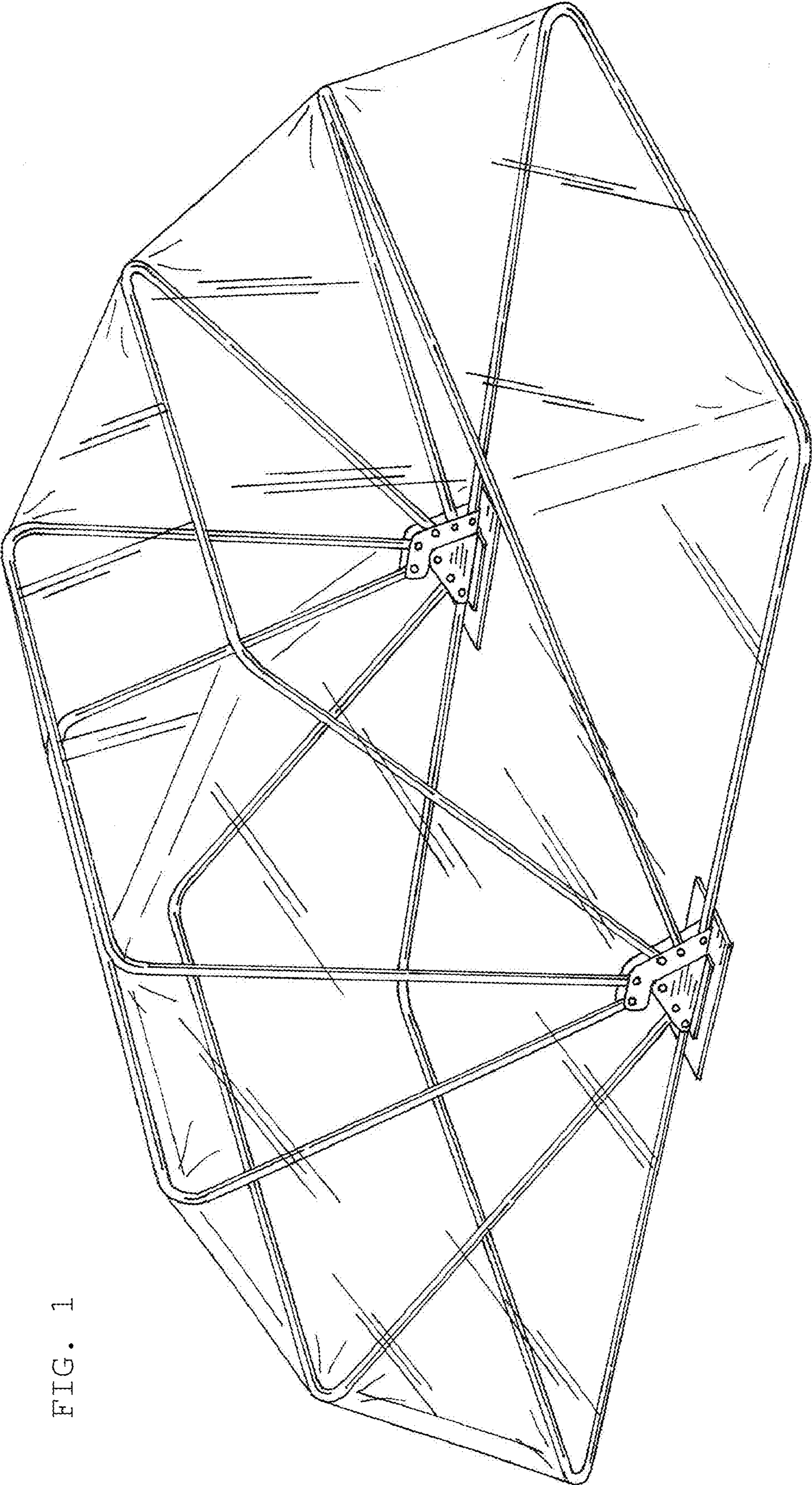


FIG. 1

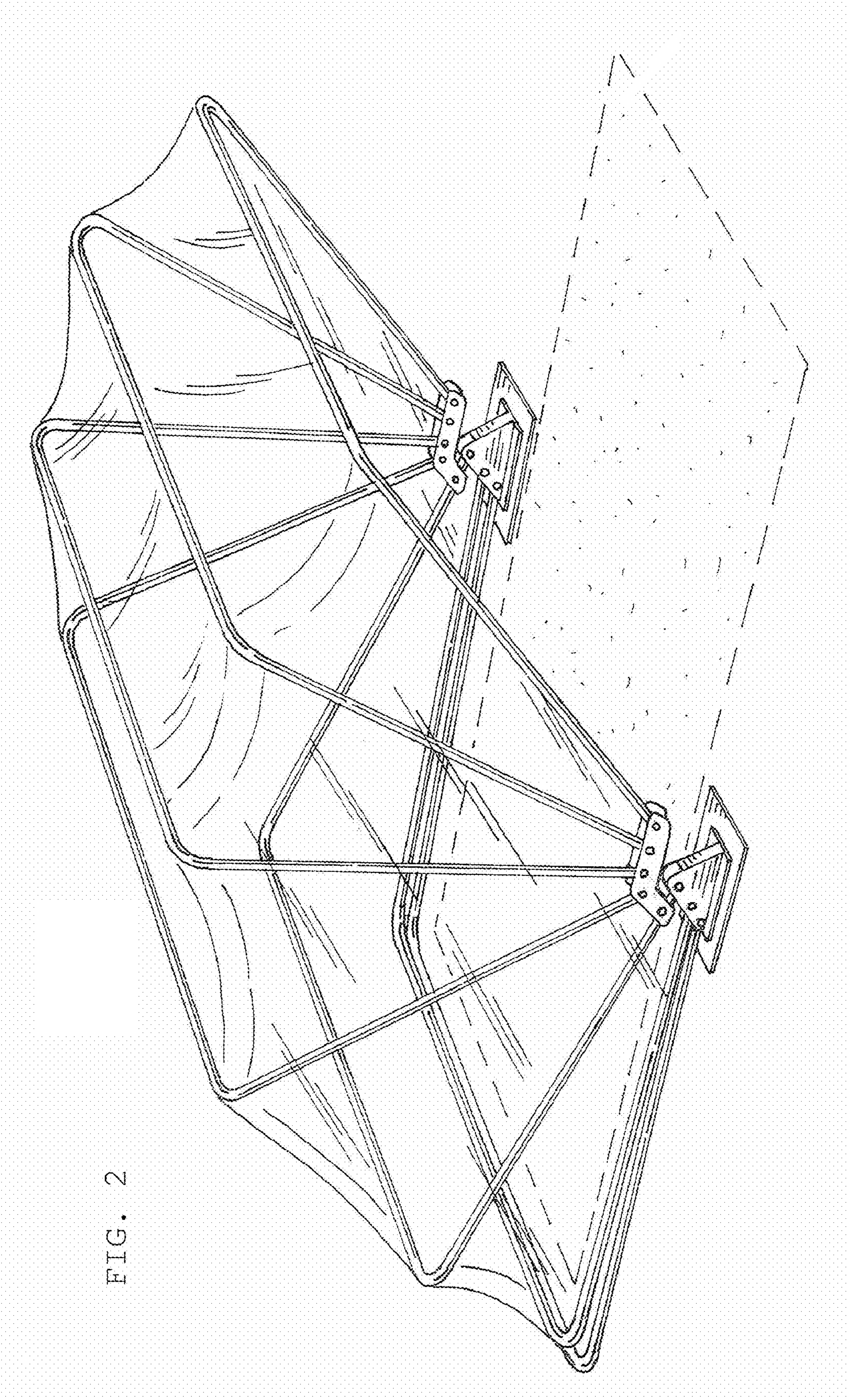


FIG. 2

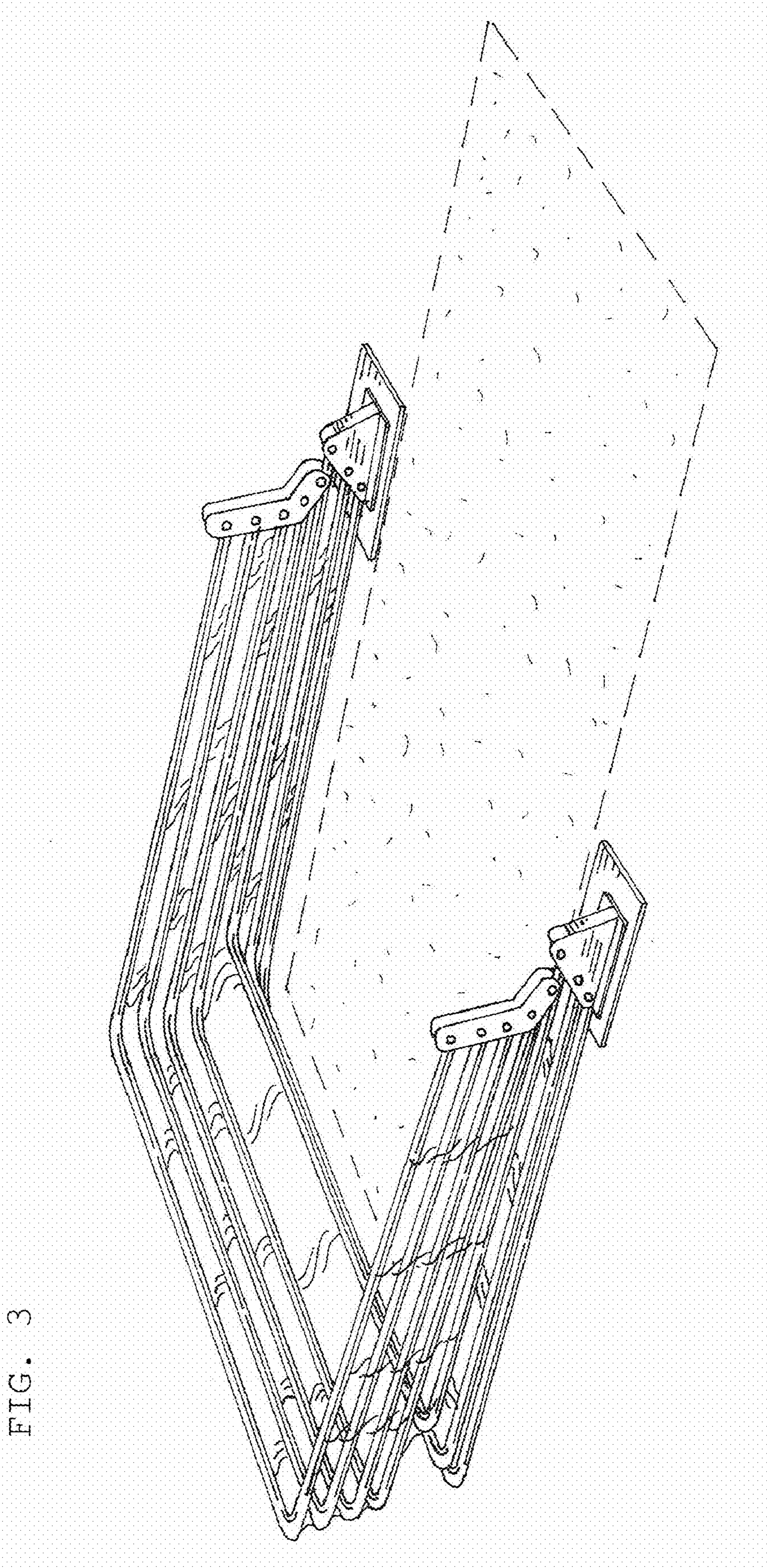


FIG. 3

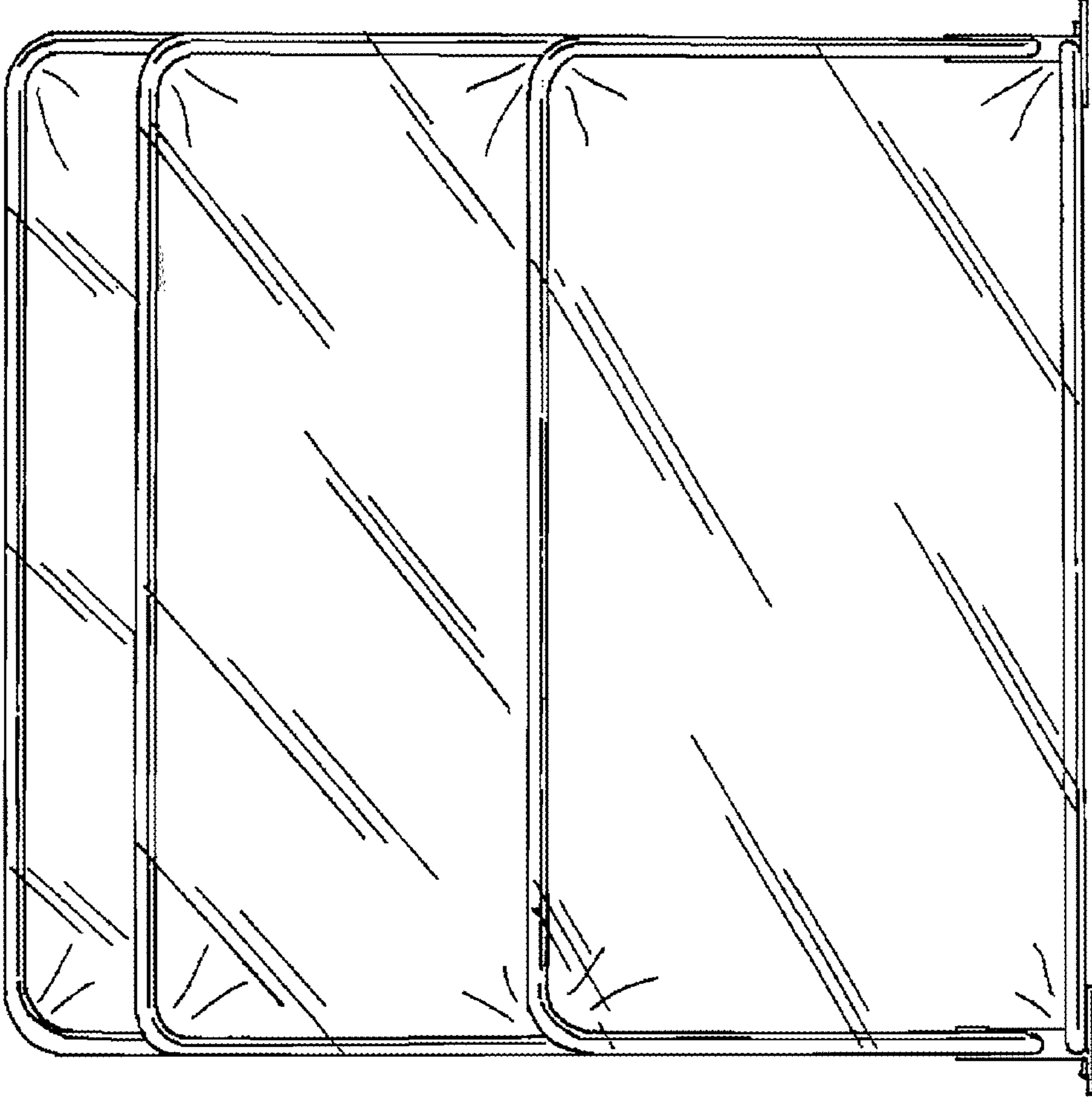


FIG. 4

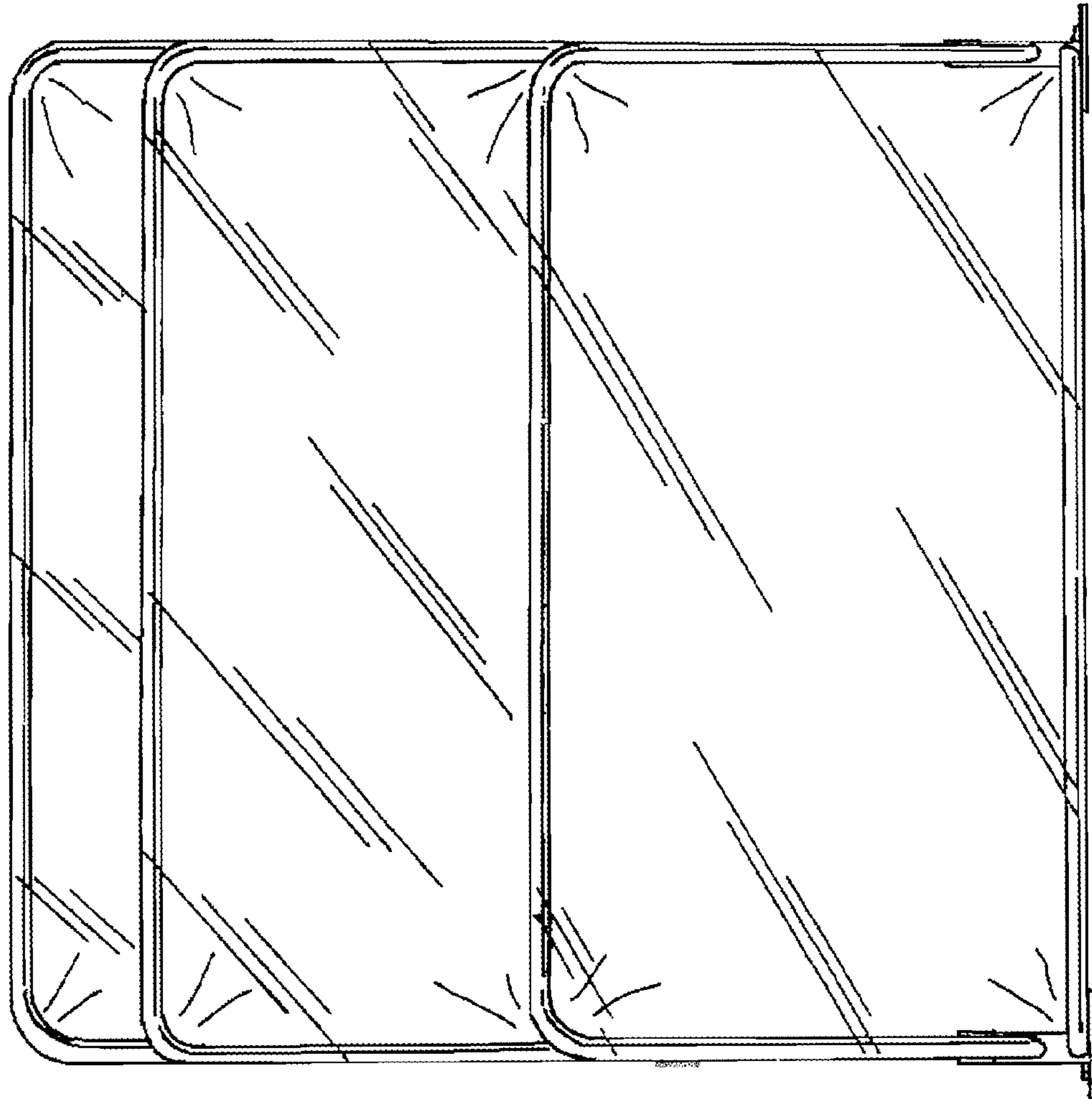


FIG. 5

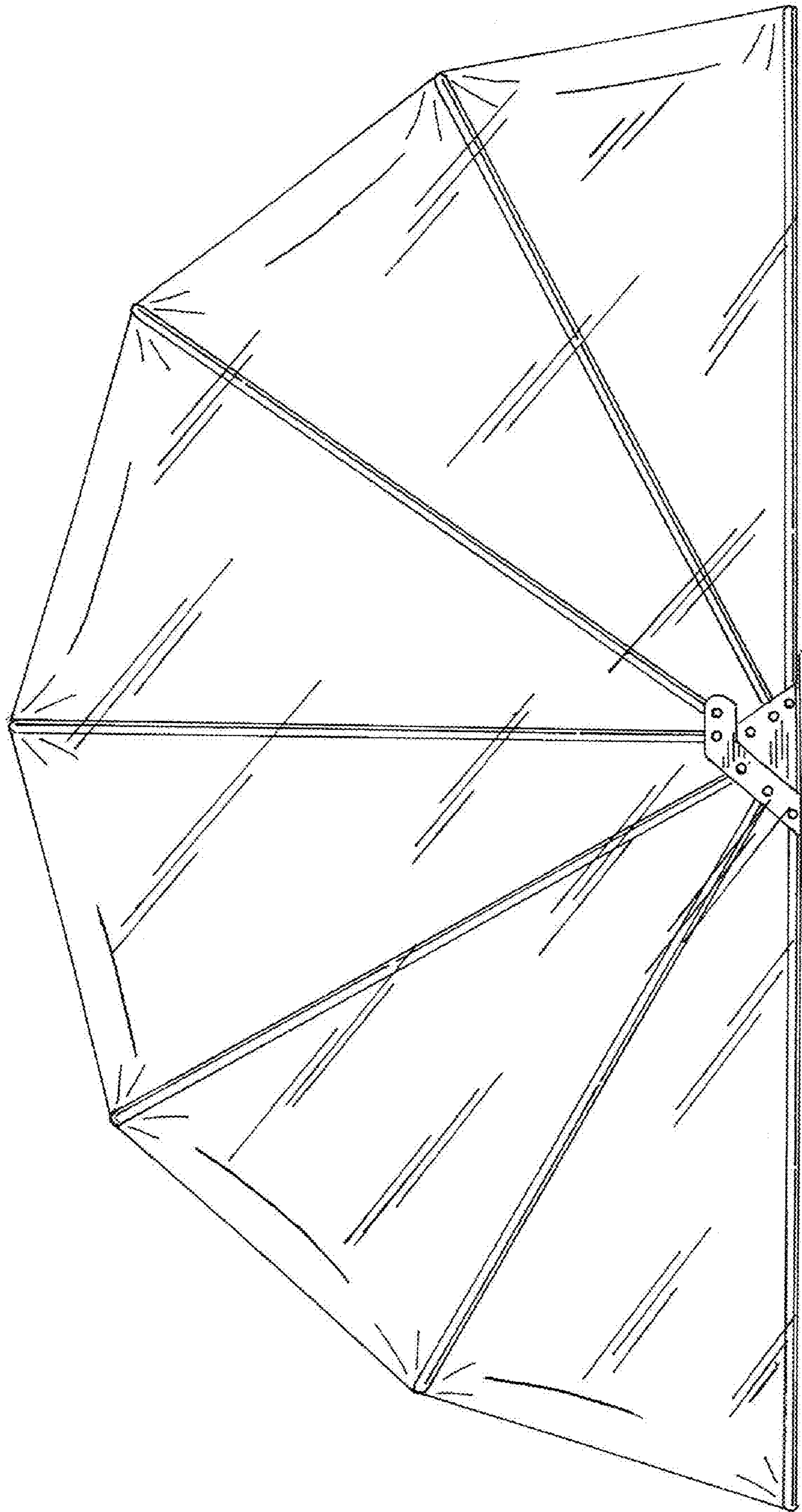


FIG. 6

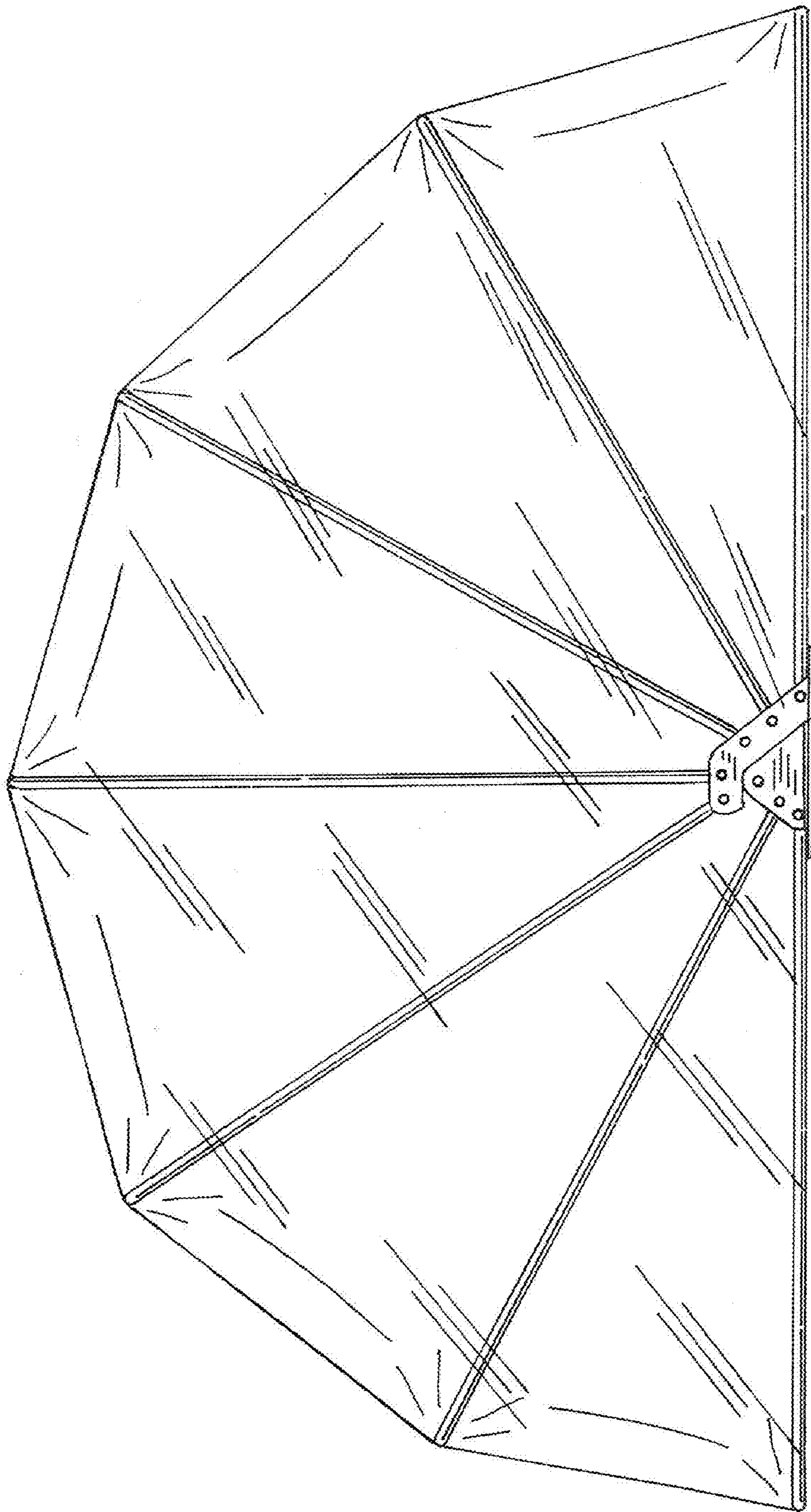


FIG. 7

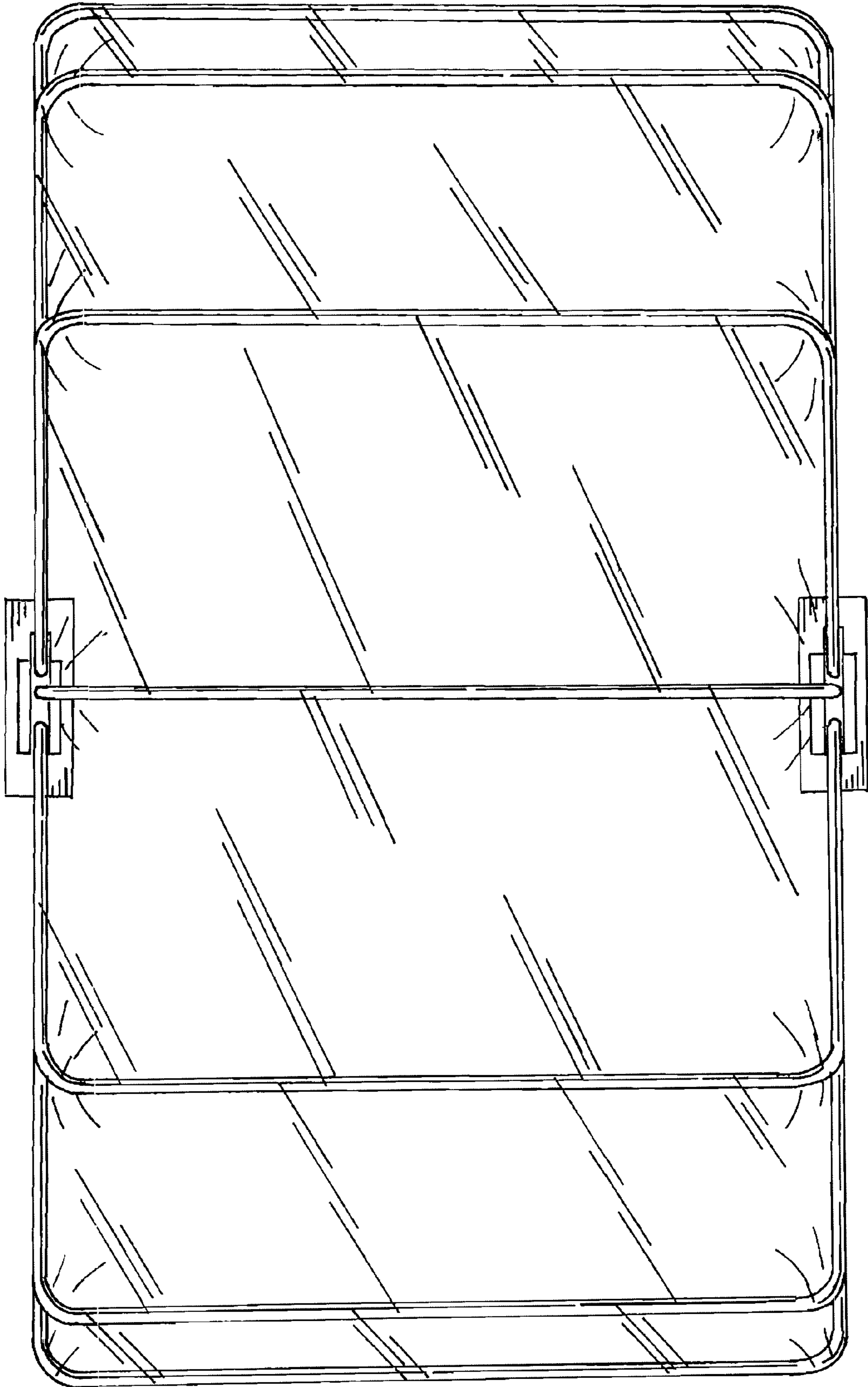


FIG. 8