



US00D643130S

(12) **United States Design Patent**  
**Oonuma et al.**

(10) **Patent No.:** **US D643,130 S**

(45) **Date of Patent:** **\*\* Aug. 9, 2011**

(54) **HANDLES OF MODULE FOR LIQUID CHROMATOGRAPH ANALYZER**

(75) Inventors: **Mitsuru Oonuma**, Tokyo (JP); **Akira Omachi**, Komae (JP); **Kantaro Maruoka**, Hitachinaka (JP); **Shoji Tomida**, Hitachinaka (JP); **Tomohiro Shoji**, Hitachinaka (JP)

(73) Assignee: **Hitachi High-Technologies Corporation**, Tokyo (JP)

(\*\*) Term: **14 Years**

(21) Appl. No.: **29/383,235**

(22) Filed: **Jan. 14, 2011**

(30) **Foreign Application Priority Data**

Sep. 17, 2010 (JP) ..... 2010-022438

(51) **LOC (9) Cl.** ..... **24-02**

(52) **U.S. Cl.** ..... **D24/232**

(58) **Field of Classification Search** ..... D10/81, D10/103, 75, 46; D24/224, 216, 231-233, D24/138; D14/399; 210/198.2, 656, 402.02, 210/657; 250/281-288, 427, 294, 292, 382, 250/384, 385.1; 422/70, 99-102; 530/350, 530/412; D15/85, 86, 89; D8/301-302, D8/313-316; D6/510; D34/27

See application file for complete search history.

(56) **References Cited**

**U.S. PATENT DOCUMENTS**

D211,359 S \* 6/1968 Girid ..... D10/81  
D216,990 S \* 3/1970 Bromely et al. .... D8/302  
D253,031 S \* 10/1979 Gidseg ..... D8/301  
D266,151 S \* 9/1982 Dawson ..... D24/232  
D268,986 S \* 5/1983 Stark ..... D8/313  
D281,310 S \* 11/1985 Hattori et al. .... D10/81  
D304,156 S \* 10/1989 Puente, Jr. .... D8/314  
4,900,446 A \* 2/1990 Anderson ..... 210/657  
D335,409 S \* 5/1993 Kellems ..... D6/510  
5,228,988 A \* 7/1993 Sanford et al. .... 210/656

D340,198 S 10/1993 Nakamoto et al.  
D344,716 S \* 3/1994 Munger et al. .... D14/399  
D347,396 S \* 5/1994 Ohnuma et al. .... D10/81  
D354,013 S \* 1/1995 Ninomiya et al. .... D10/81  
D356,745 S \* 3/1995 Ninomiya et al. .... D10/46  
D356,967 S \* 4/1995 Takekoshi et al. .... D10/81  
D364,576 S \* 11/1995 Glaser ..... D10/75  
D388,986 S \* 1/1998 Dittberner et al. .... D6/510  
D422,925 S \* 4/2000 Glaser et al. .... D10/81  
D488,991 S \* 4/2004 Bertani ..... D8/313  
D494,836 S \* 8/2004 Bertani ..... D8/313

(Continued)

**OTHER PUBLICATIONS**

Copending U.S. Appl. No. 29/383,285, Oonuma et al., filed Jan. 14, 2011.

(Continued)

*Primary Examiner* — T. Chase Nelson

*Assistant Examiner* — Mark Cavanna

(74) *Attorney, Agent, or Firm* — Antonelli, Terry, Stout & Kraus, LLP.

(57) **CLAIM**

We claim the ornamental design for handles of module for liquid chromatograph analyzer, as shown and described.

**DESCRIPTION**

FIG. 1 is a front, top and right side perspective view of handles of module for liquid chromatograph analyzer showing our new design;

FIG. 2 is a front elevational view thereof;

FIG. 3 is a rear elevational view thereof;

FIG. 4 is a top plan view thereof;

FIG. 5 is a bottom plan view thereof;

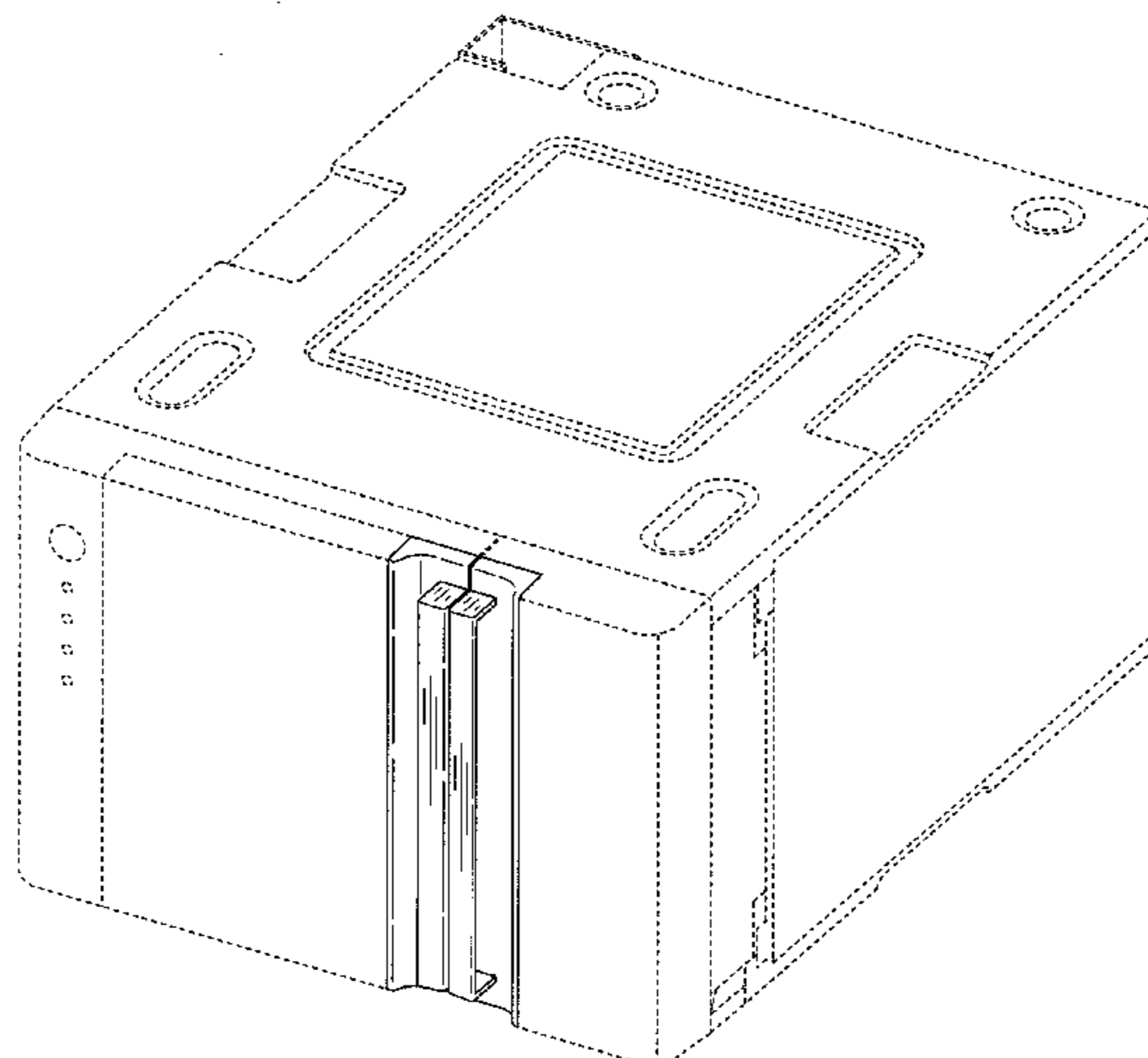
FIG. 6 is a left side elevational view thereof;

FIG. 7 is a right side elevational view thereof; and,

FIG. 8 is a front, top and right side perspective view thereof shown in an opened position.

The broken lines shown are for illustrative purposes only and form no part of the claimed design.

**1 Claim, 6 Drawing Sheets**



# US D643,130 S

Page 2

---

## U.S. PATENT DOCUMENTS

D510,012 S \* 9/2005 Woods ..... D8/310  
D529,254 S \* 9/2006 Huguet ..... D34/27  
D543,001 S \* 5/2007 Huguet et al. .... D34/27  
D569,704 S \* 5/2008 Ricereto ..... D8/315  
D570,646 S \* 6/2008 Jeon ..... D8/316  
D570,884 S \* 6/2008 Yang et al. .... D15/86  
D578,559 S \* 10/2008 Lee et al. .... D15/85  
D588,172 S \* 3/2009 Yang et al. .... D15/89  
D595,560 S \* 7/2009 Miska ..... D8/314  
D597,561 S \* 8/2009 Yang et al. .... D15/85  
D599,234 S \* 9/2009 Ito et al.  
D599,235 S \* 9/2009 Oberg ..... D10/81

D599,236 S \* 9/2009 Oberg ..... D10/81  
D603,429 S \* 11/2009 Lee et al. .... D15/85  
D615,565 S \* 5/2010 Kristiansen et al. .... D15/86

## OTHER PUBLICATIONS

Copending U.S. Appl. No. 29/383,264, Oonuma et al., filed Jan. 14, 2011.

Copending U.S. Appl. No. 29/383,251, Oonuma et al., filed Jan. 14, 2011.

Copending U.S. Appl. No. 29/383,228, Oonuma et al., filed Jan. 14, 2011.

\* cited by examiner

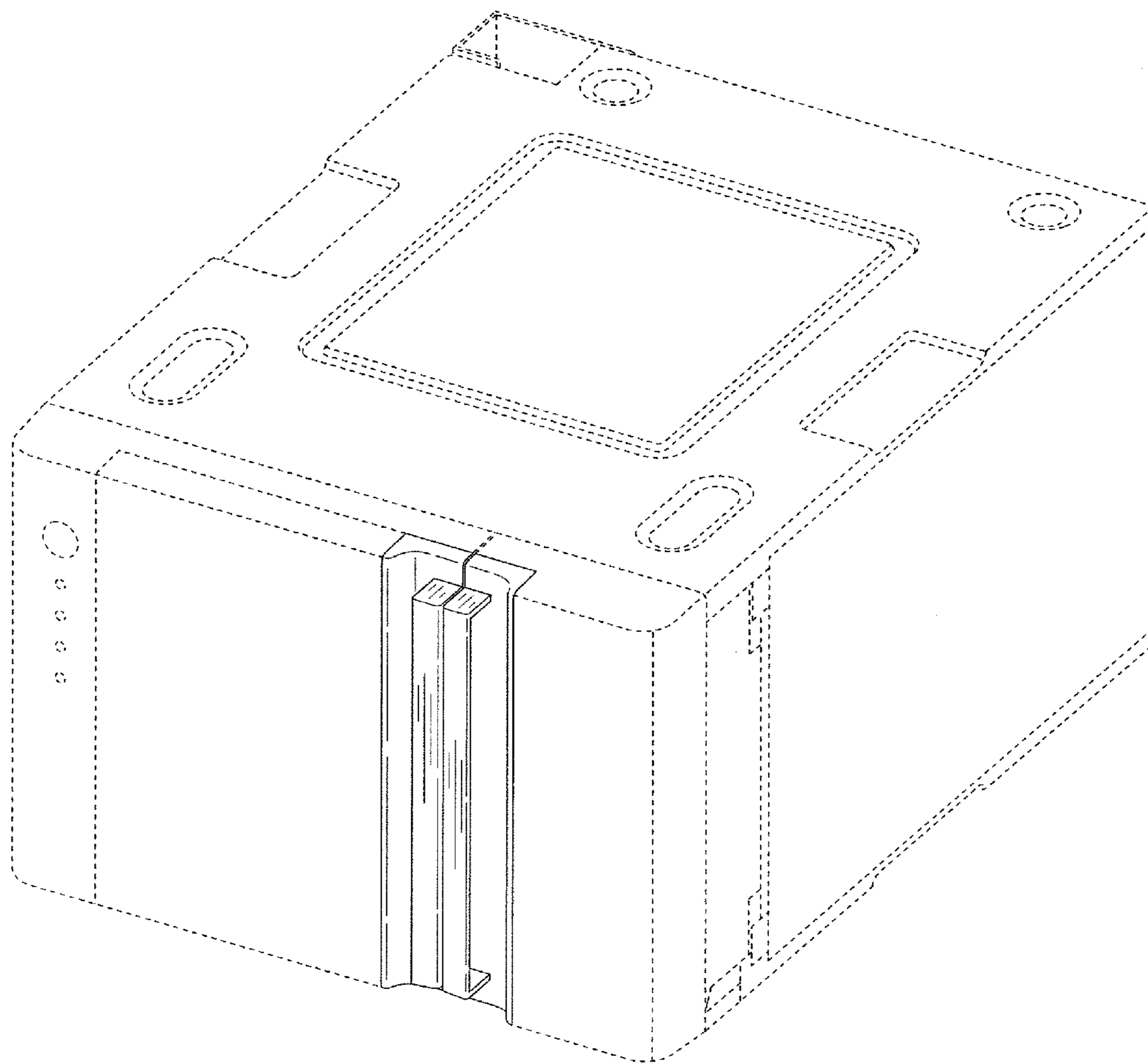
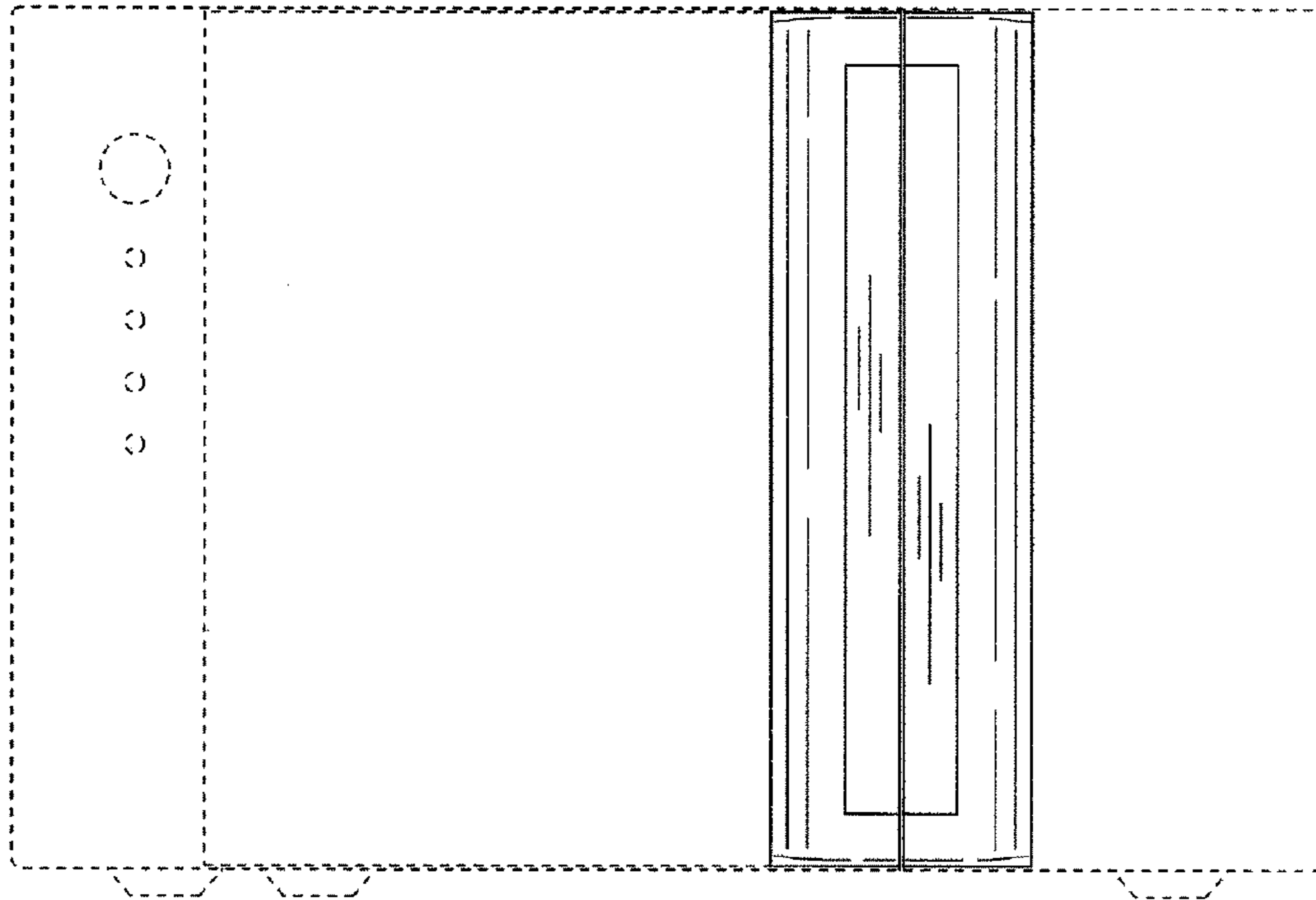
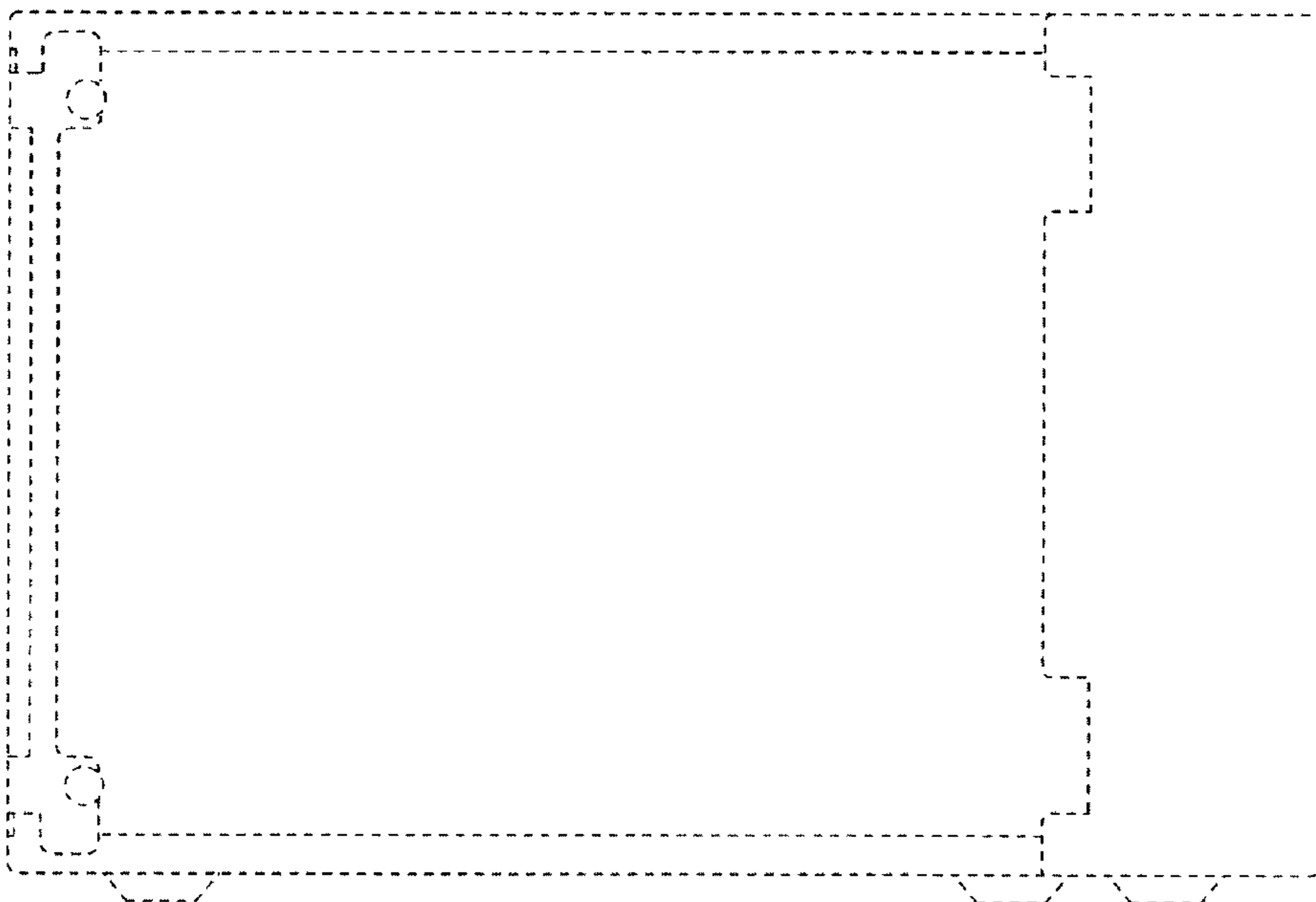


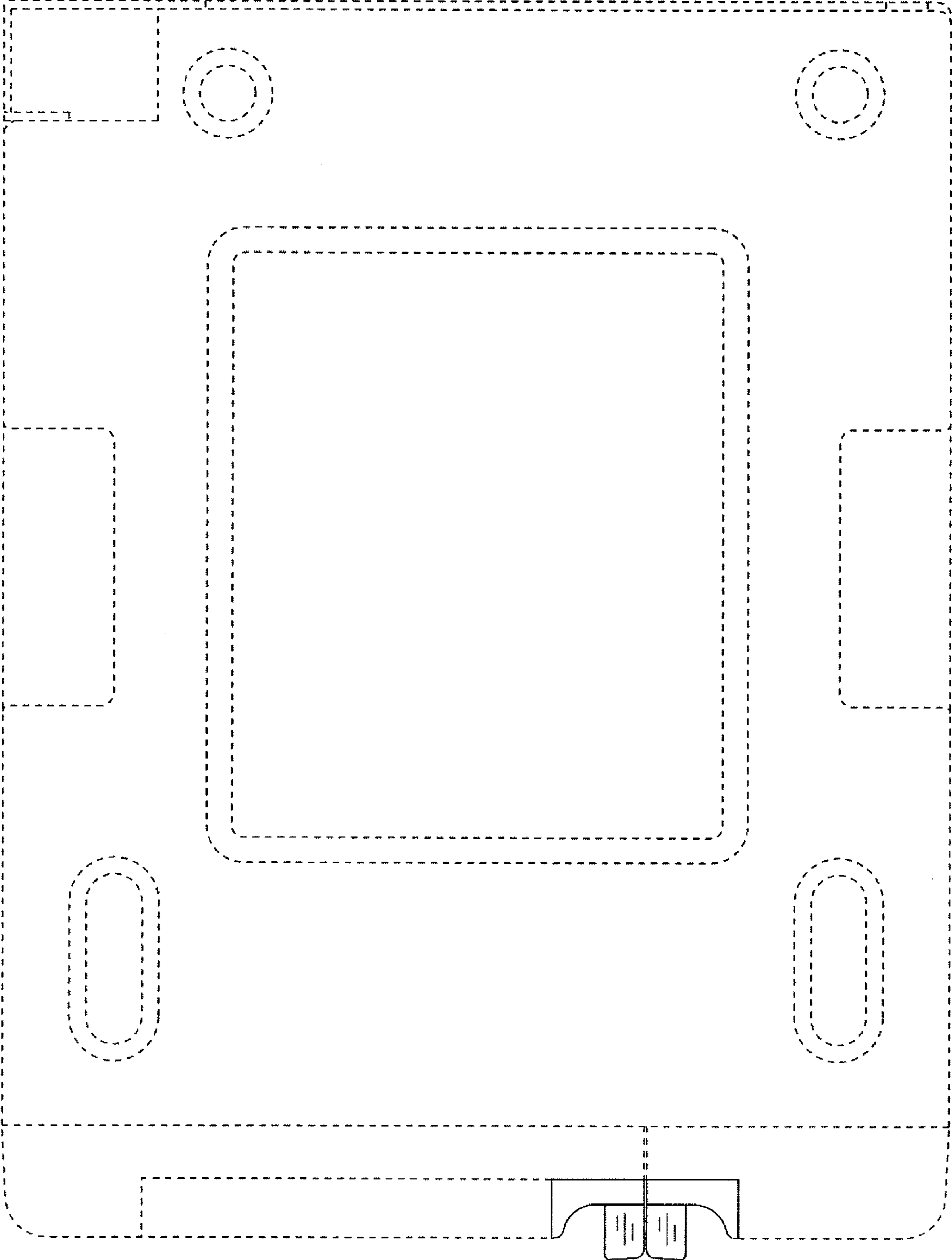
FIG. 1



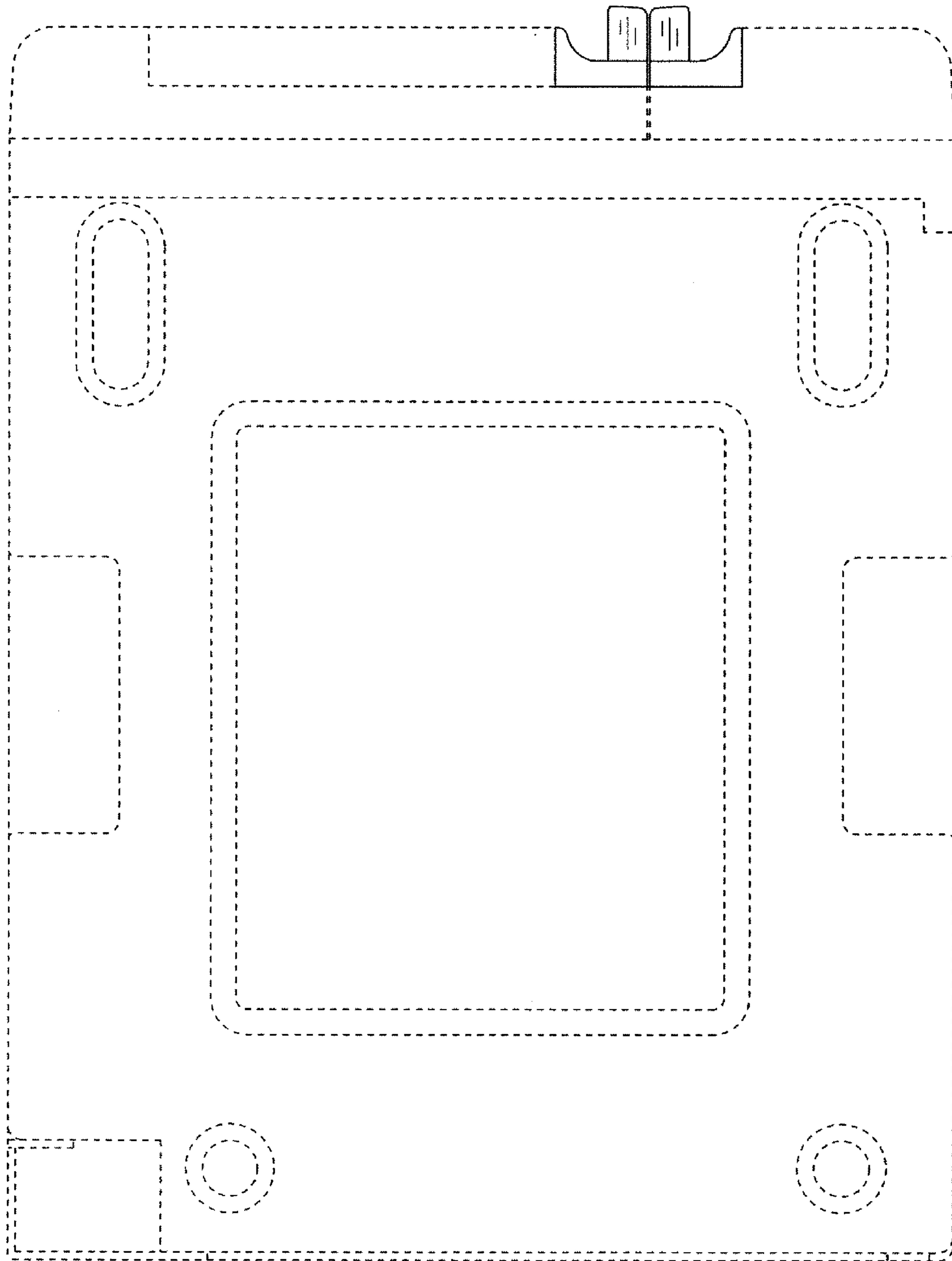
**FIG. 2**



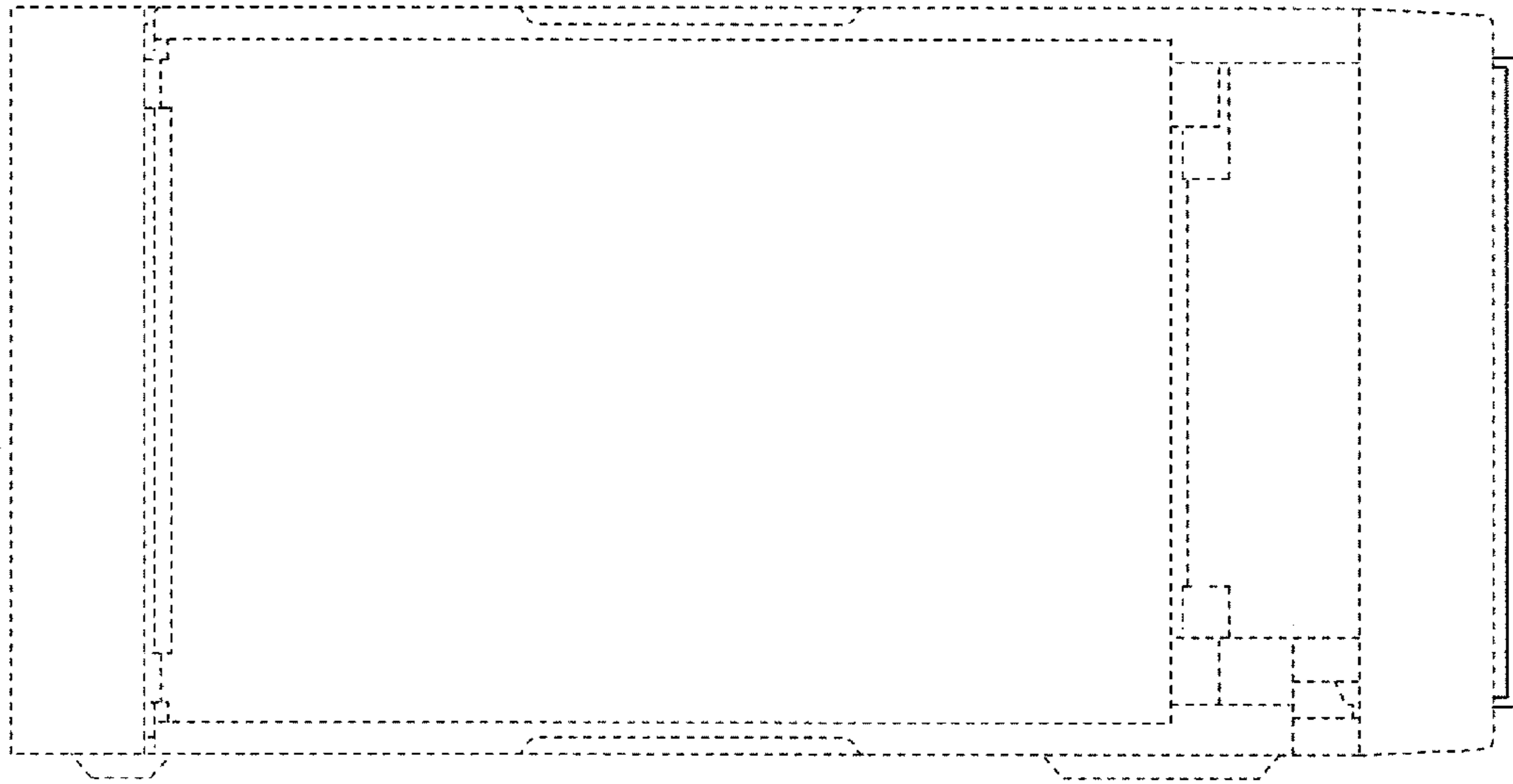
**FIG. 3**



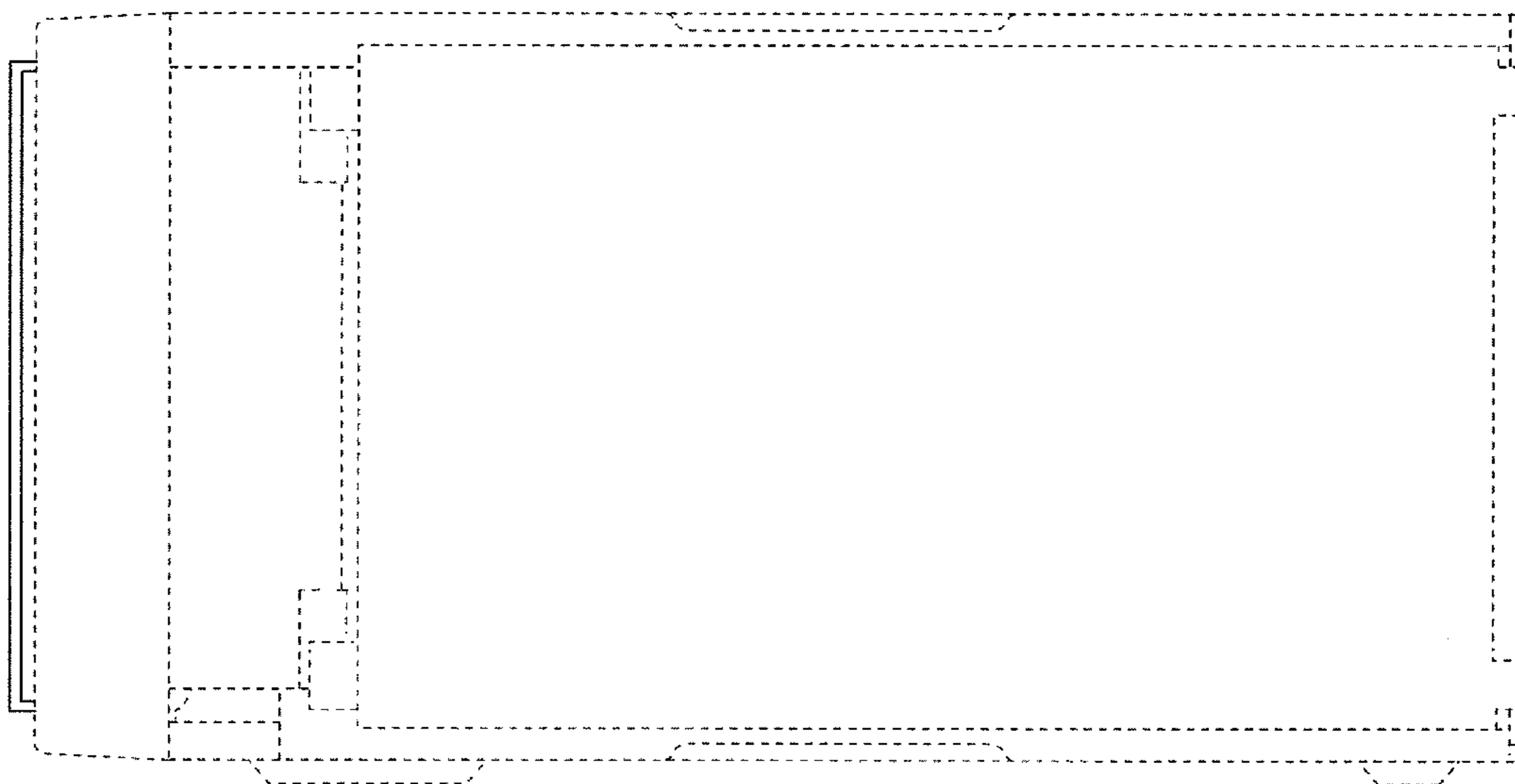
**FIG. 4**



**FIG. 5**



*FIG. 6*



*FIG. 7*

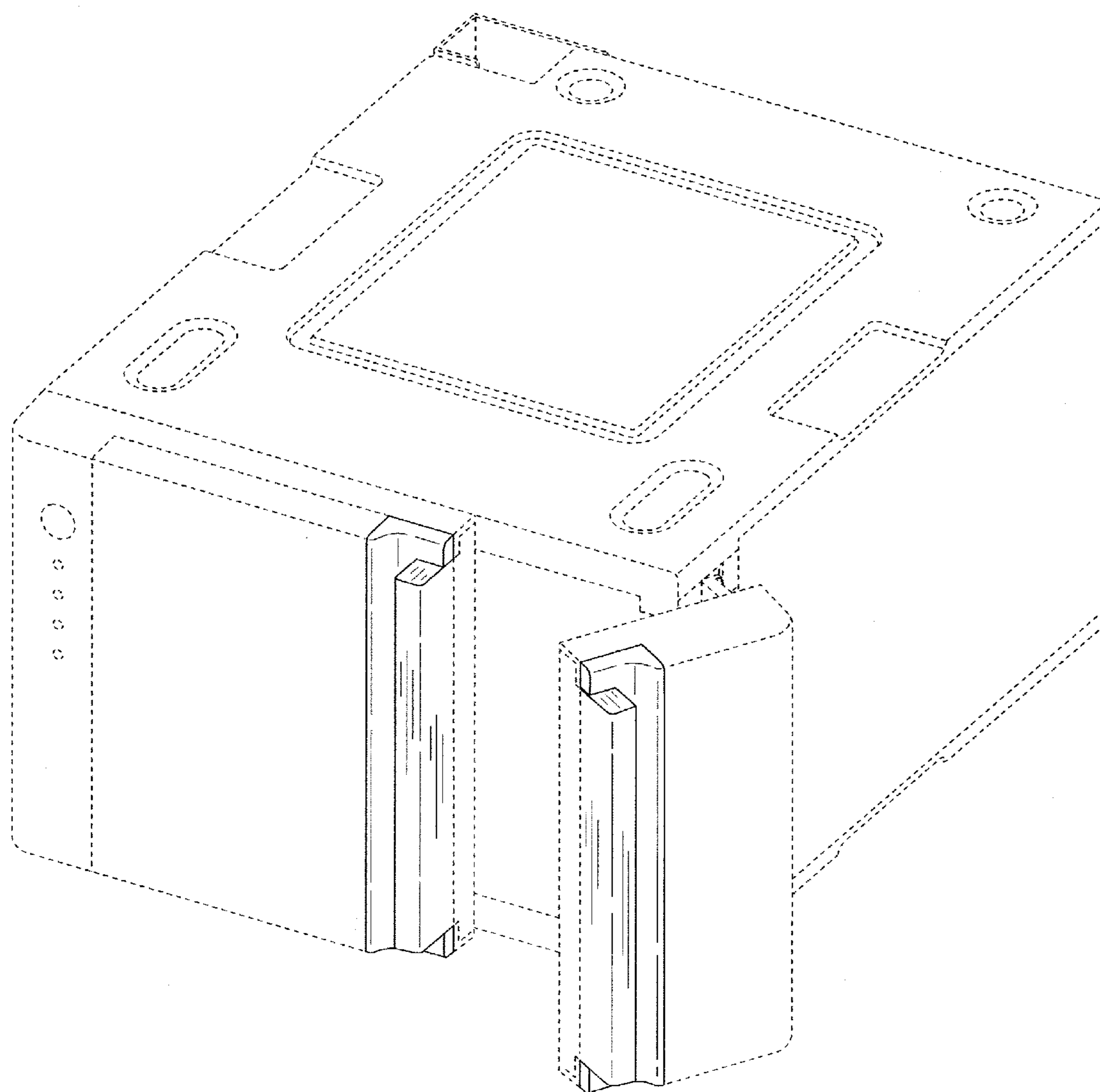


FIG. 8