



US00D643125S

(12) **United States Design Patent**
Seidel

(10) **Patent No.:** **US D643,125 S**

(45) **Date of Patent:** **** Aug. 9, 2011**

(54) **PROSTATE AND PELVIC PAIN RELIEF,
COMFORT AND STIMULATION CUSHION**

(74) *Attorney, Agent, or Firm* — QuickPatents, Inc.; Kevin Prince

(76) Inventor: **Reinhard Seidel**, San Rafael, CA (US)

(57) **CLAIM**

(**) Term: **14 Years**

What is claimed is the ornamental design for a prostate and pelvic pain relief, comfort and stimulation cushion, as shown and described.

(21) Appl. No.: **29/369,265**

(22) Filed: **Sep. 3, 2010**

DESCRIPTION

(51) **LOC (9) Cl.** **24-01**

FIG. 1 is a perspective view of a prostate and pelvic pain relief, comfort and stimulation cushion, showing the new design;

(52) **U.S. Cl.** **D24/184; D6/601**

FIG. 2 is an exploded perspective showing the outer covering and two inner cushions of the prostate and pelvic pain relief, comfort and stimulation cushion, with the attachment belt omitted for clarity of illustration;

(58) **Field of Classification Search** D24/183–184;

D6/502, 595–597, 601, 604; 128/845, 869;

5/636–640, 644

See application file for complete search history.

FIG. 3 is a front elevational view of FIG. 1;

FIG. 4 is a rear elevational view of FIG. 1;

FIG. 5 is a right-side elevational view of FIG. 1;

FIG. 6 is a left-side elevational view of FIG. 1;

FIG. 7 is a top plan view of FIG. 1;

FIG. 8 is a bottom plan view of FIG. 1;

FIG. 9 is a perspective view of the two inner cushions secured by the belt of the prostate and pelvic pain relief, comfort and stimulation cushion, with the outer covering being omitted for clarity of illustration;

FIG. 10 is a front elevational view of FIG. 9;

FIG. 11 is a rear elevational view of FIG. 9;

FIG. 12 is a left-side elevational view of FIG. 9, the right-side elevational view being a mirror image thereof;

FIG. 13 is a top plan view of FIG. 9; and,

FIG. 14 is a bottom plan view of FIG. 9.

The broken lines are included for the purpose of illustrating portions of the prostate and pelvic pain relief, comfort and stimulation cushion that form no part of the claimed design.

(56) **References Cited**

U.S. PATENT DOCUMENTS

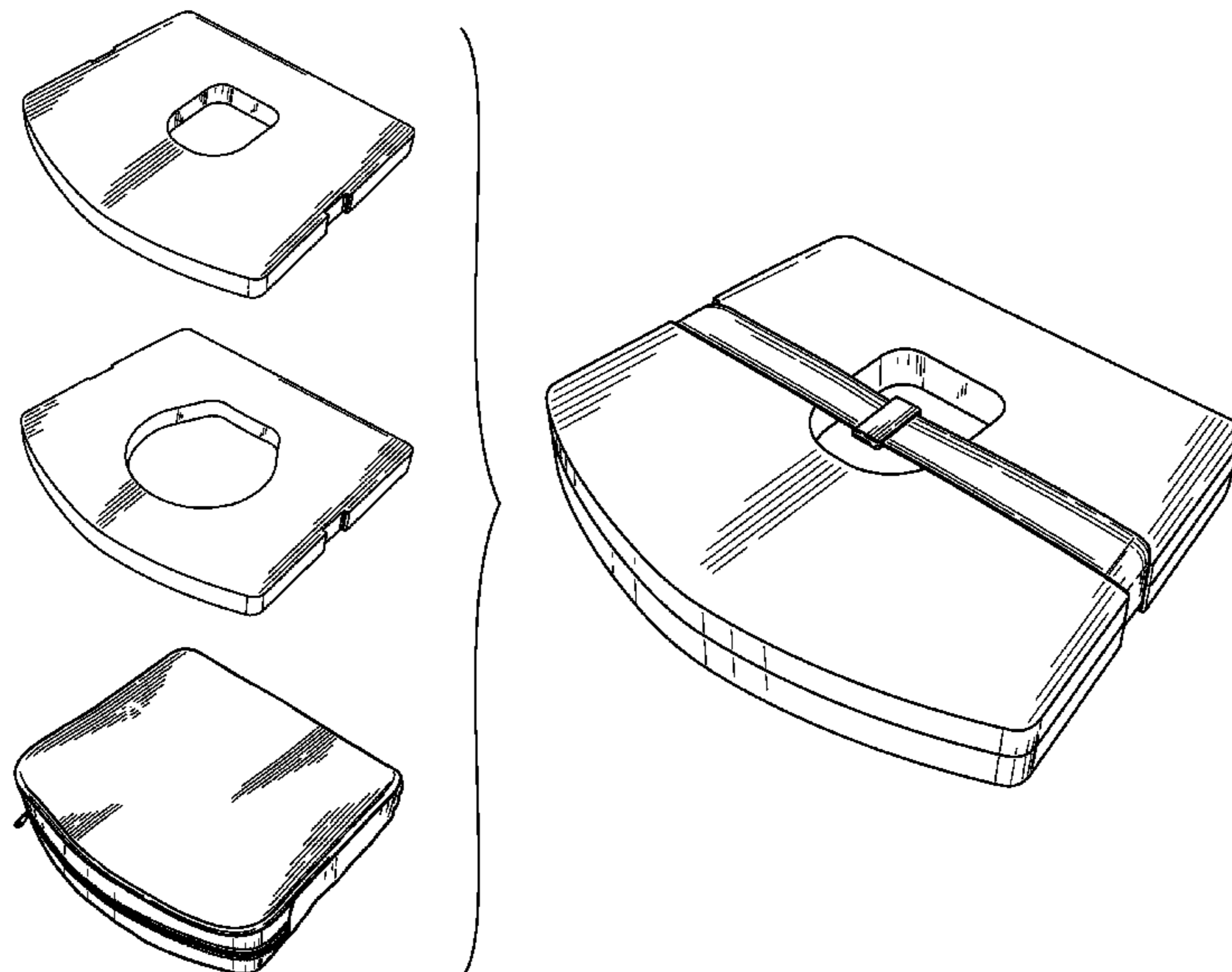
D284,725 S *	7/1986	Stuckey	D6/604
D367,198 S *	2/1996	Wolf	D6/601
D386,035 S *	11/1997	Matsler et al.	D6/601
D386,348 S *	11/1997	Weidman et al.	D6/601
D399,694 S *	10/1998	Laidlaw	D6/601
D400,041 S *	10/1998	Selner	D6/597
D429,592 S *	8/2000	Dohan	D6/604
D439,098 S *	3/2001	Matsler et al.	D6/601
D439,100 S *	3/2001	Owaku	D6/601
D441,587 S *	5/2001	Cameron	D6/601
D446,674 S *	8/2001	Chapman et al.	5/653
D448,229 S *	9/2001	Su et al.	D6/601
D509,396 S *	9/2005	Wiltberger	D6/601
D509,693 S *	9/2005	Wiltberger	D6/601
D602,299 S *	10/2009	Heroux	D6/601
D617,131 S *	6/2010	Sprouse, II	D6/601

* cited by examiner

Primary Examiner — T. Chase Nelson

Assistant Examiner — Mark Cavanna

1 Claim, 7 Drawing Sheets



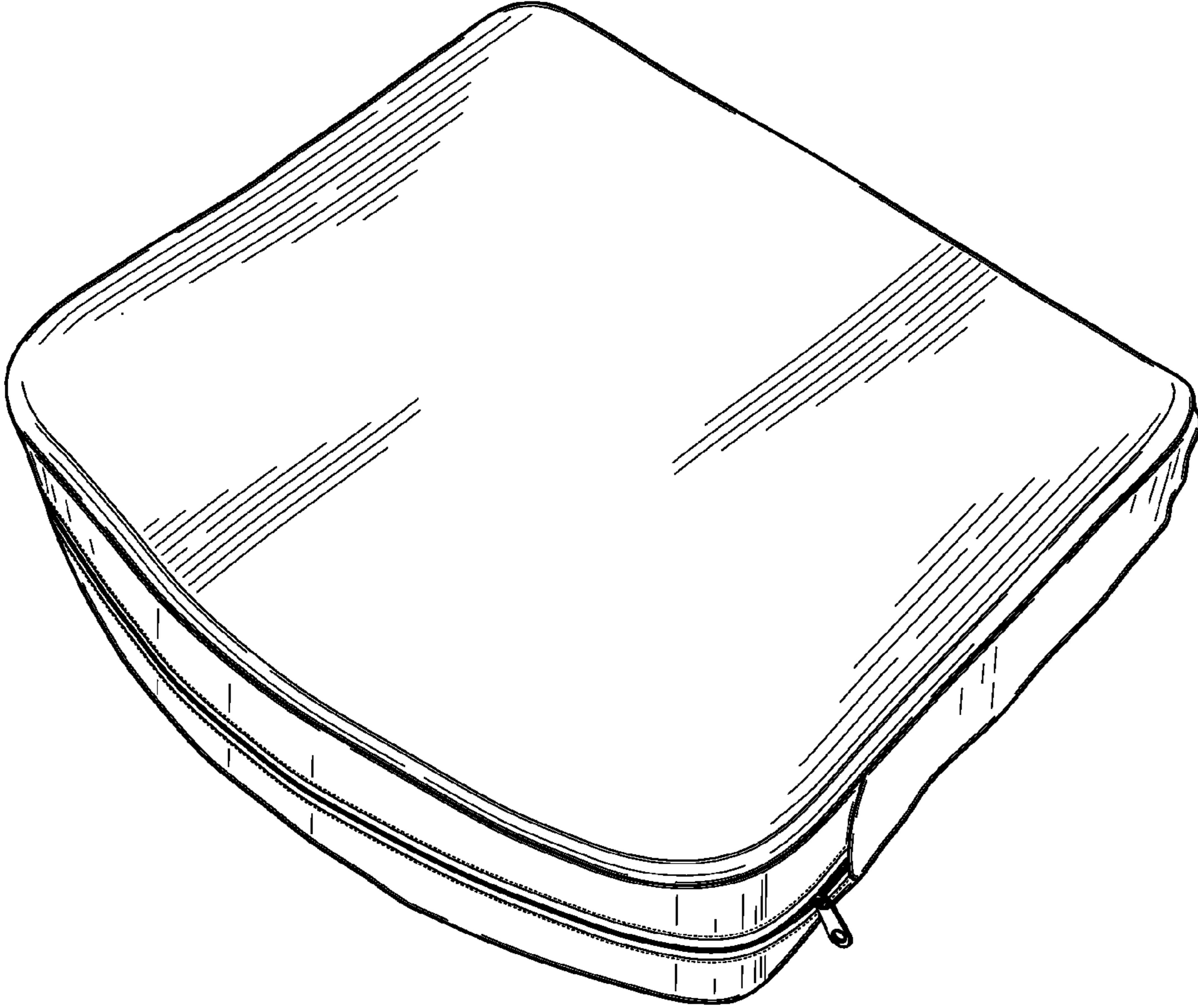


FIG. 1

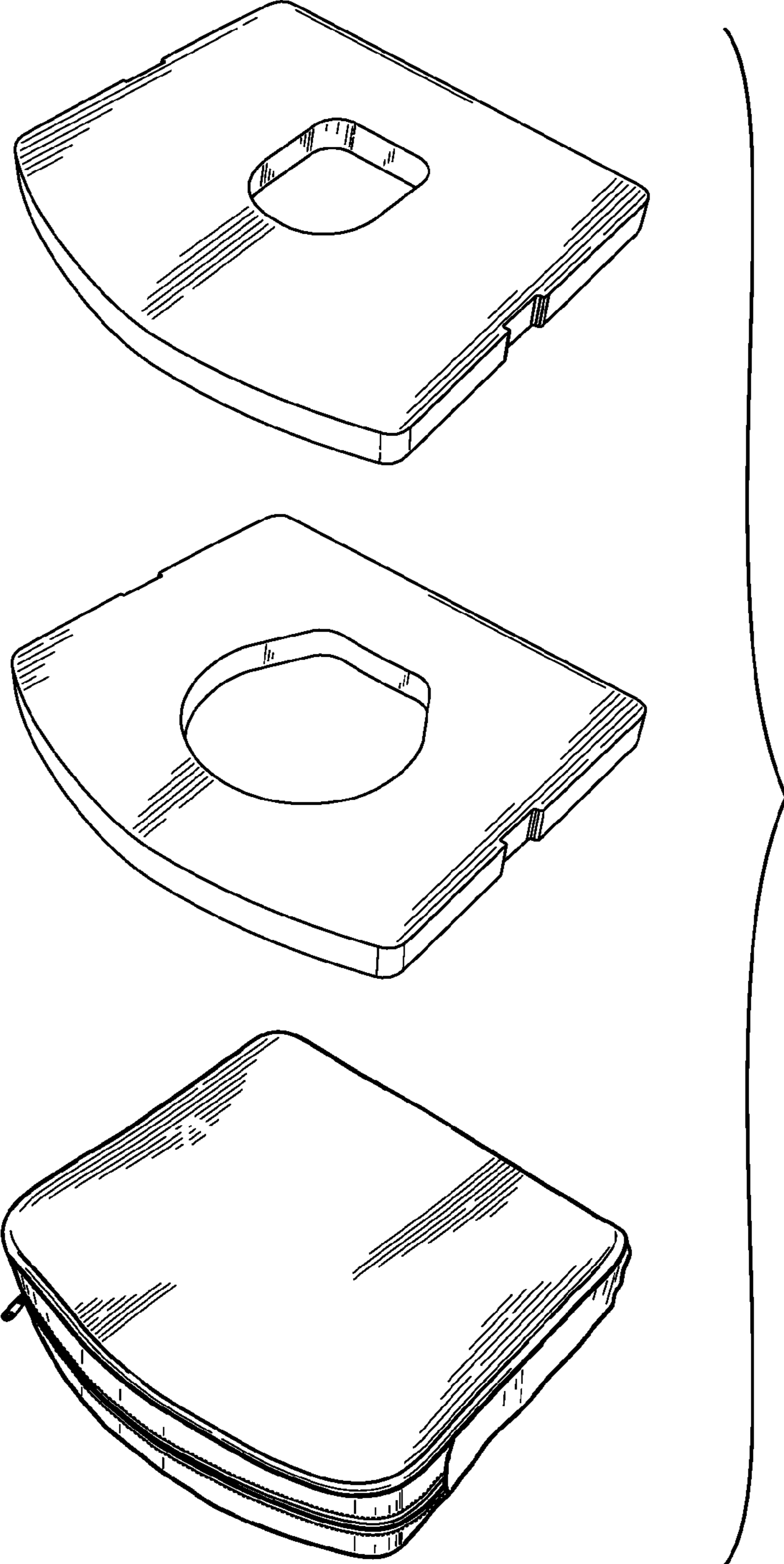


FIG. 2

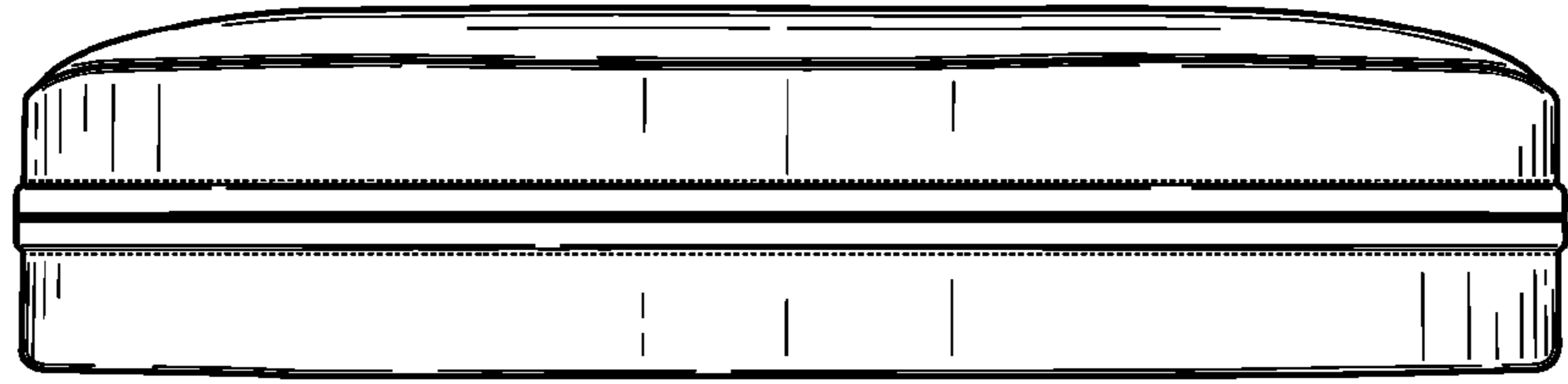


FIG. 3

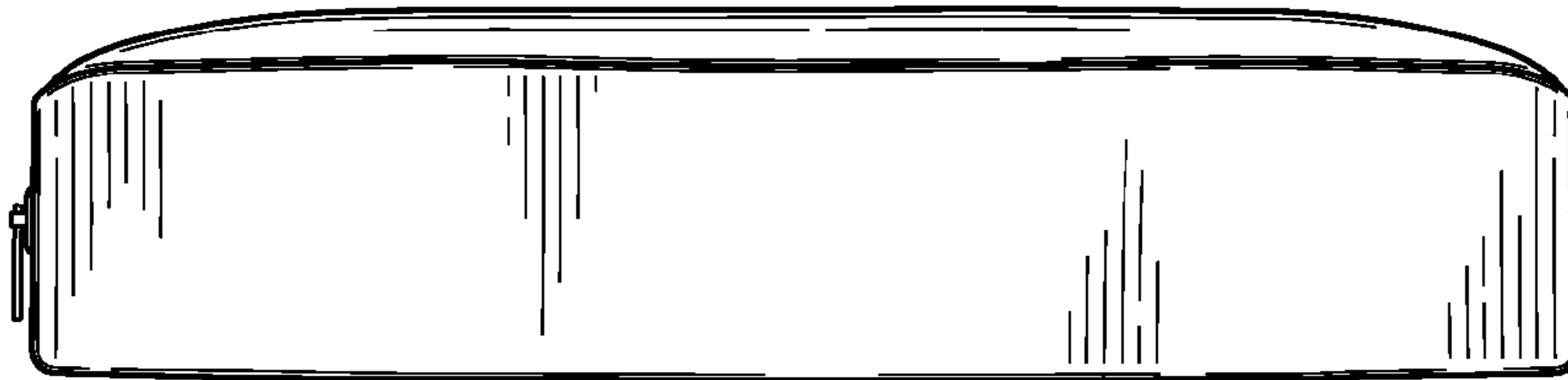


FIG. 4

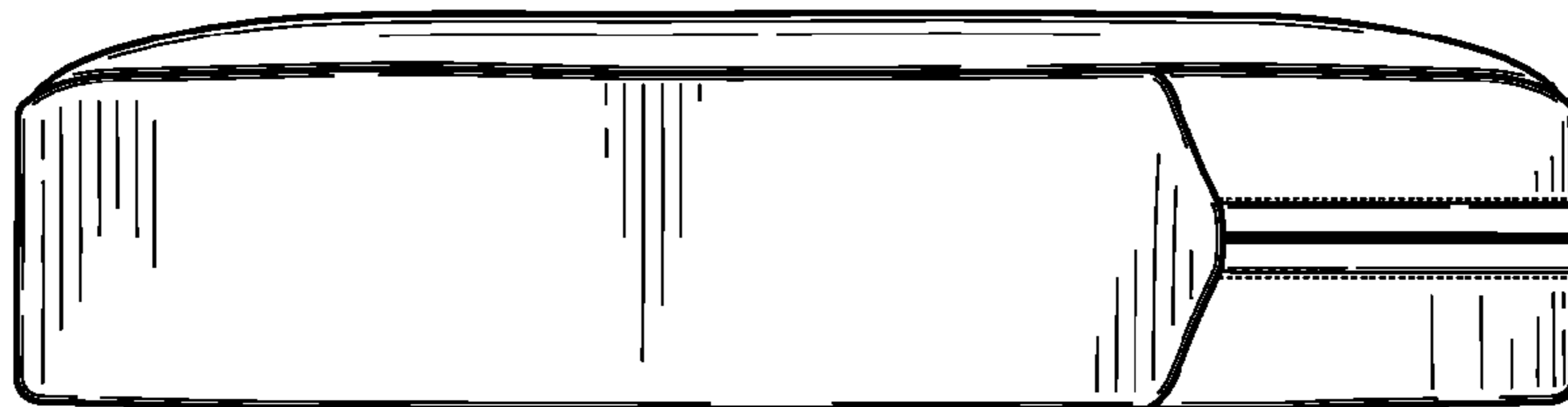


FIG. 5

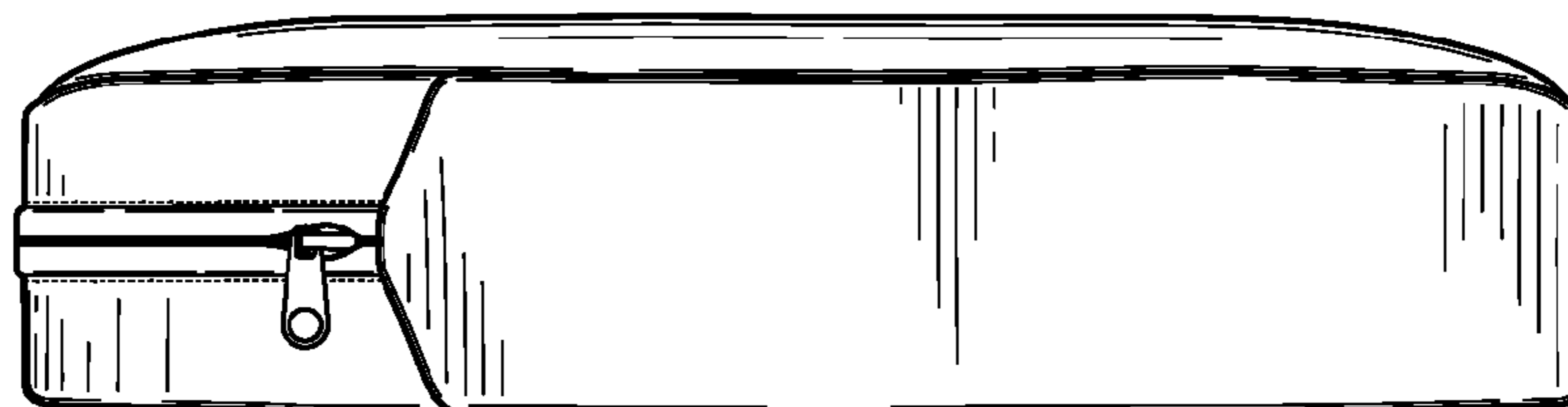


FIG. 6

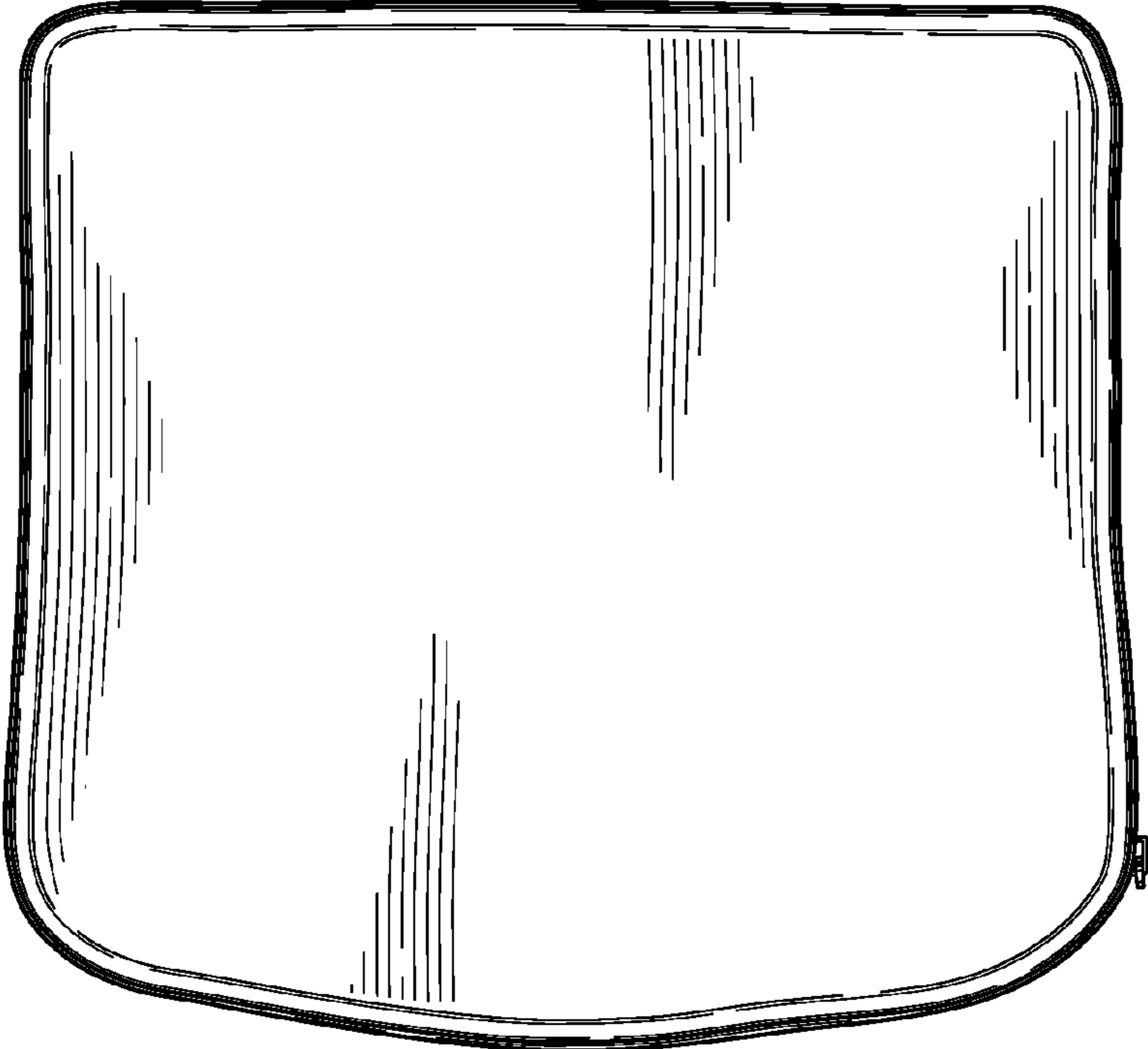


FIG. 7

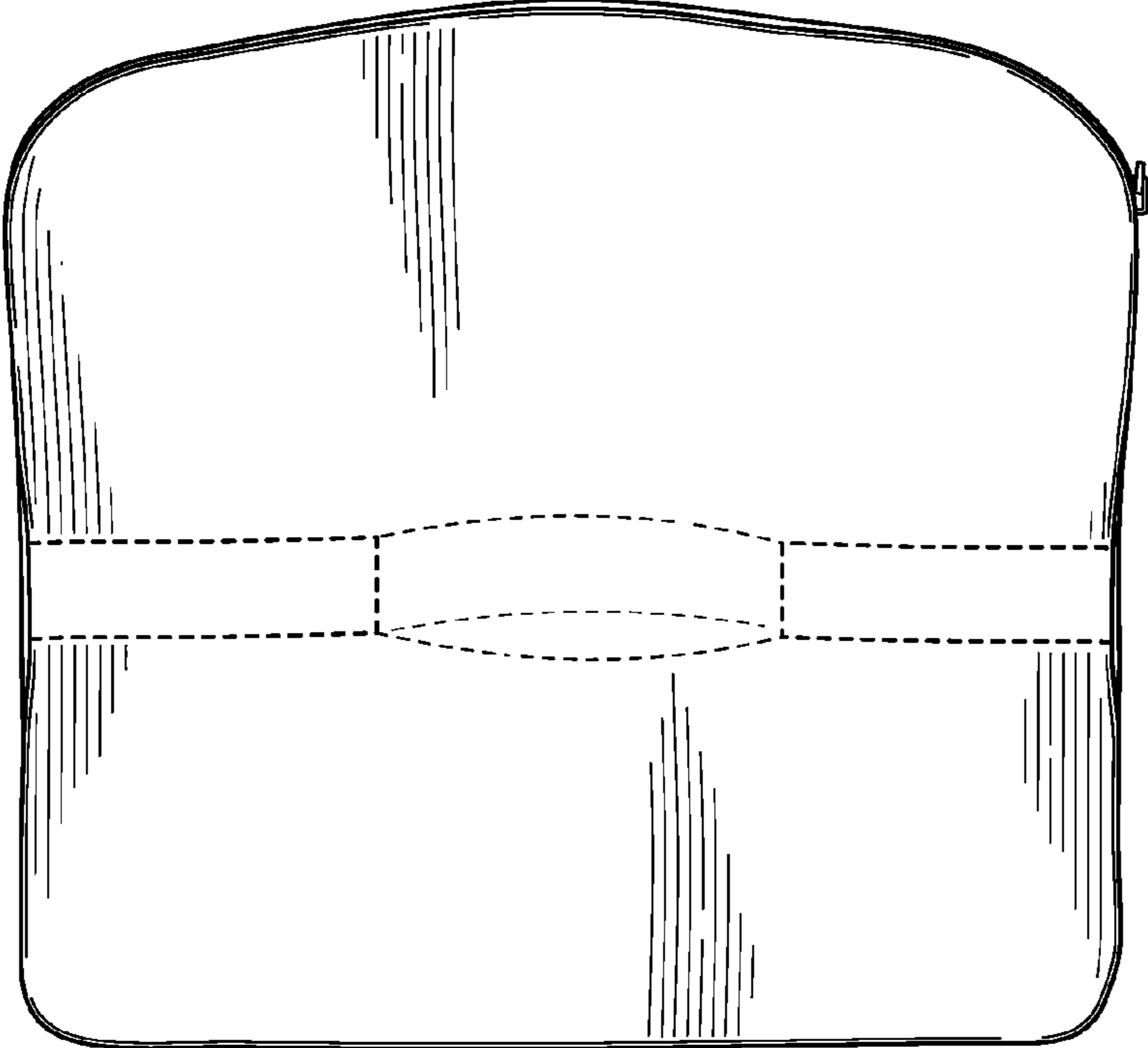


FIG. 8

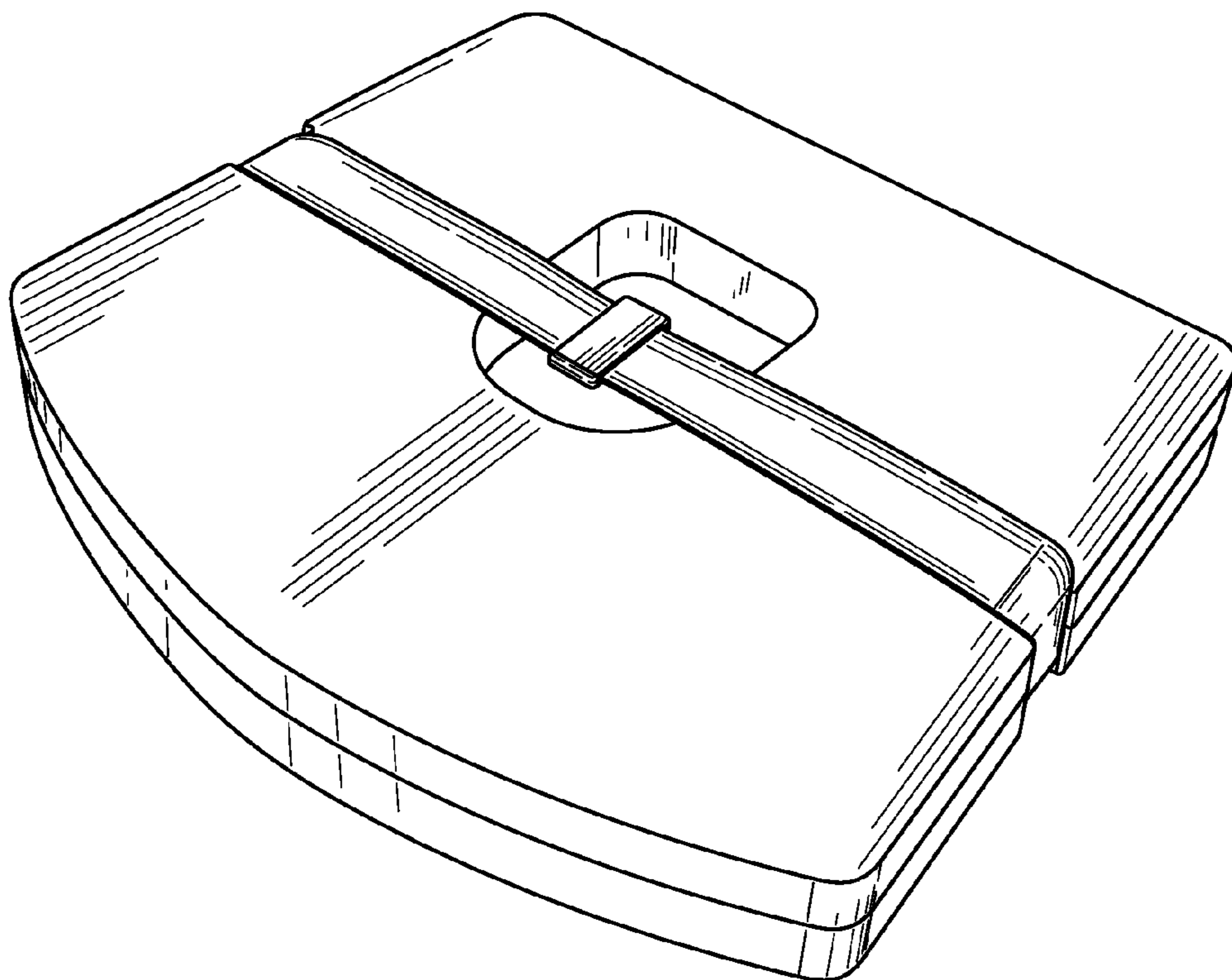


FIG. 9

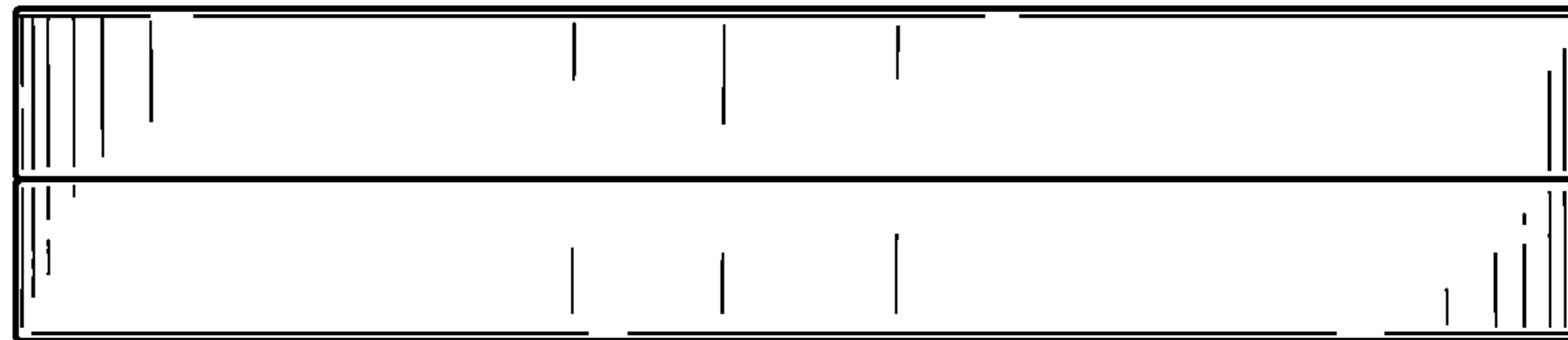


FIG. 10

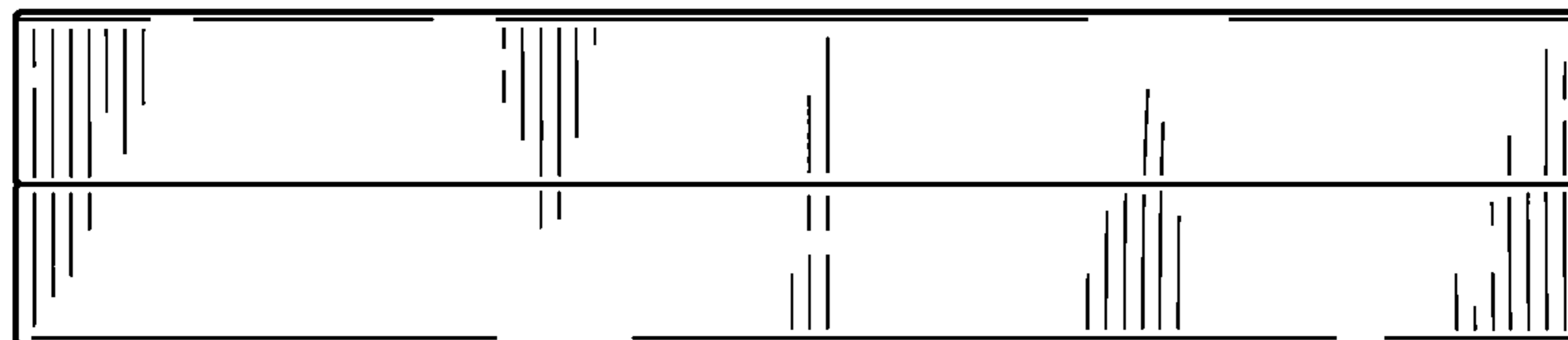


FIG. 11



FIG. 12

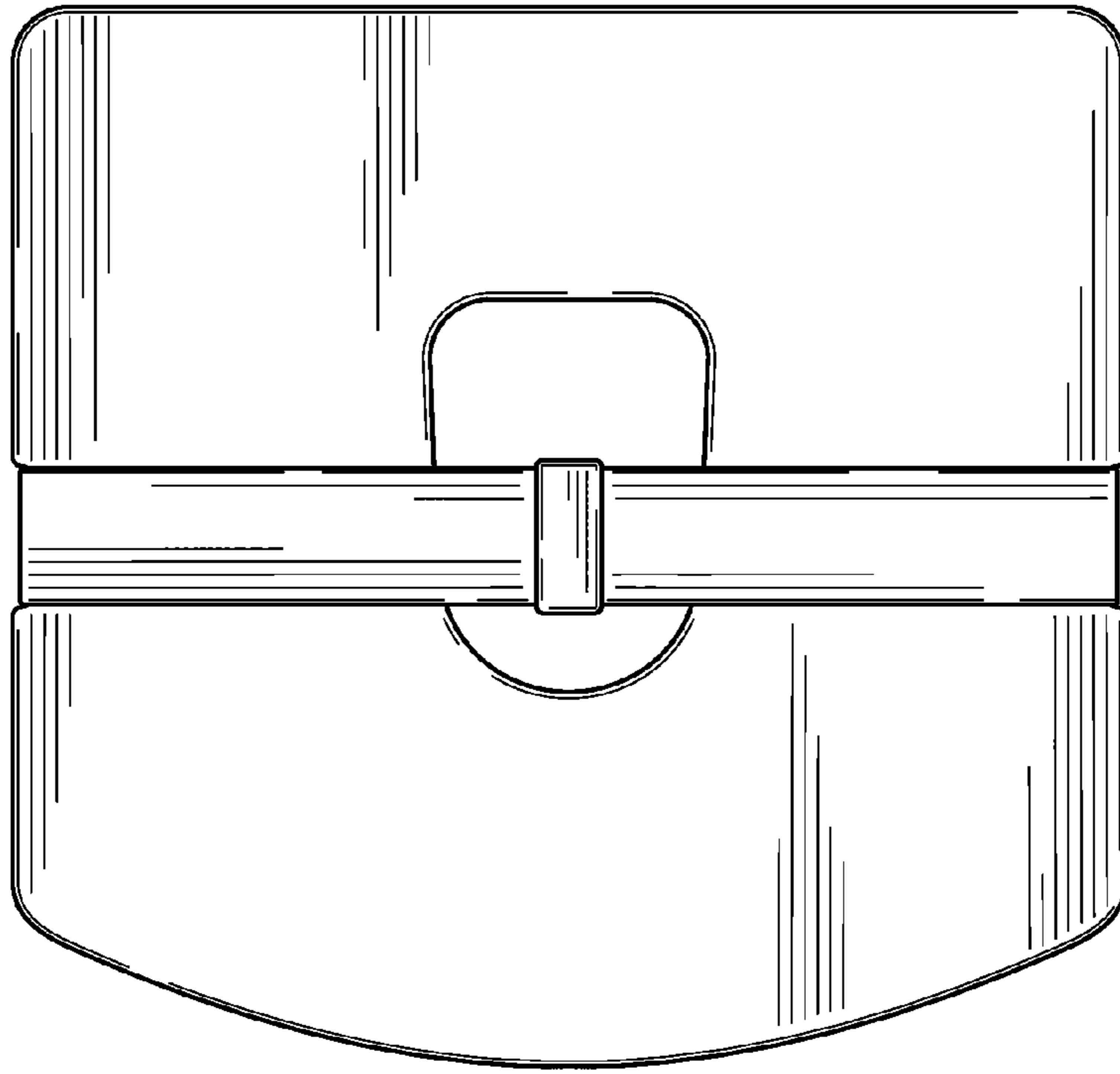


FIG. 13

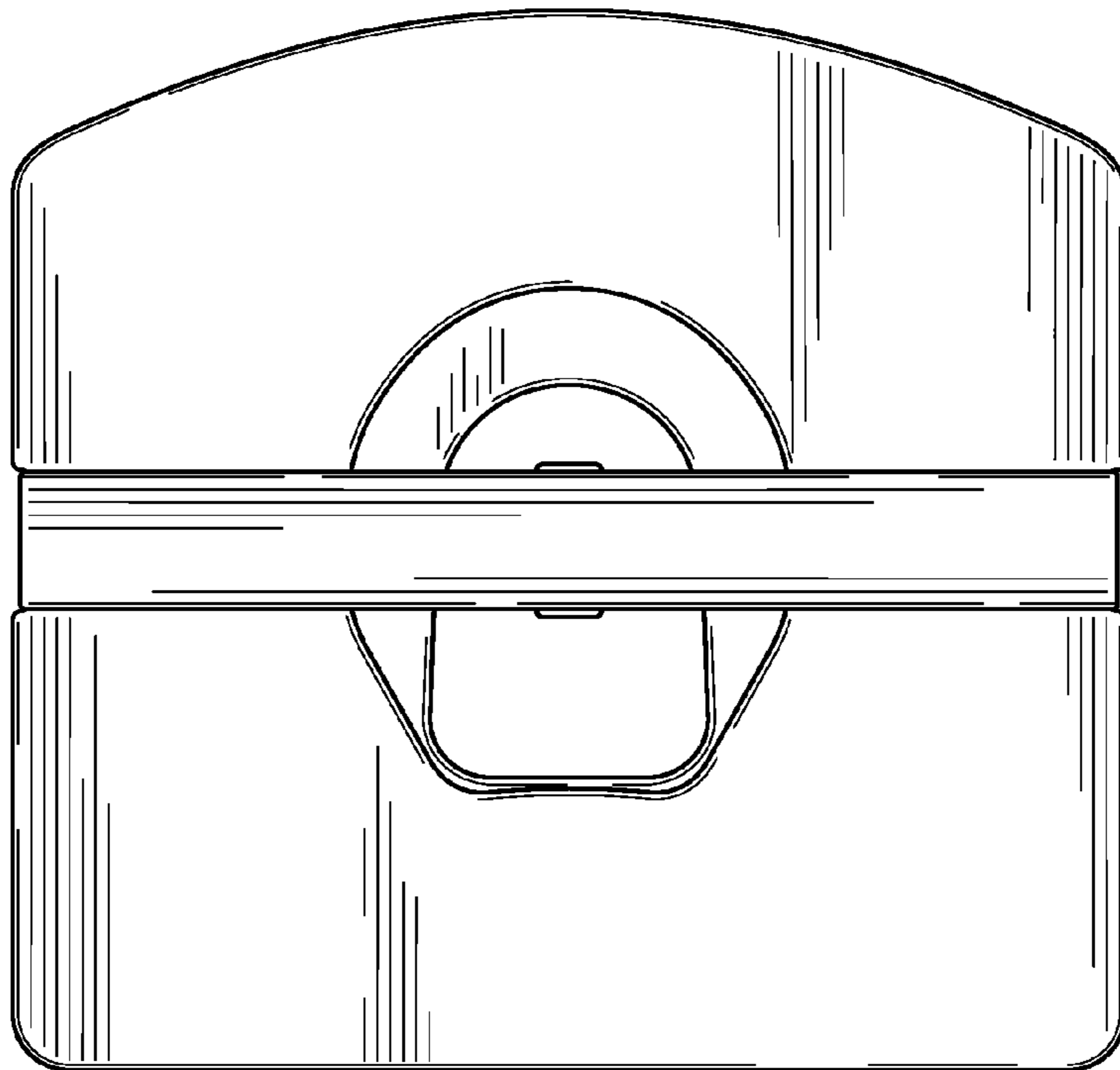


FIG. 14