



US00D643121S

(12) **United States Design Patent**
Milford et al.

(10) **Patent No.:** **US D643,121 S**

(45) **Date of Patent:** **** Aug. 9, 2011**

(54) **ORTHOPEDIC WRIST SPANNING BONE PLATE**

(75) Inventors: **Jordan N. Milford**, Morristown, NJ (US); **Elwood H. Greene, Jr.**, Allentown, PA (US)

(73) Assignee: **EBI, LLC**, Parsippany, NJ (US)

(**) Term: **14 Years**

(21) Appl. No.: **29/362,570**

(22) Filed: **May 27, 2010**

(51) **LOC (9) Cl.** **24-03**

(52) **U.S. Cl.** **D24/155**

(58) **Field of Classification Search** D24/155-157; 606/60, 61, 73, 95, 213, 65, 67, 288, 902, 606/246, 248, 249; 623/17.11, 17.12, 17.13, 623/17.14, 17.15, 17.16, 23.61, 23.56, 247, 623/213; D15/143, 139

See application file for complete search history.

(56) **References Cited**

U.S. PATENT DOCUMENTS

D279,502 S *	7/1985	Halloran	D24/155
5,607,426 A	3/1997	Ralph et al.	
5,643,265 A	7/1997	Errico et al.	
5,709,686 A	1/1998	Talos et al.	
5,735,853 A	4/1998	Olerud	
6,193,721 B1	2/2001	Michelson	
6,322,562 B1	11/2001	Wolter	
6,454,769 B2	9/2002	Wagner et al.	
D479,331 S *	9/2003	Pike et al.	D24/155
7,001,387 B2	2/2006	Farris et al.	
7,001,389 B1	2/2006	Navarro et al.	
7,048,739 B2	5/2006	Konieczynski et al.	
7,128,744 B2	10/2006	Weaver et al.	
7,169,150 B2	1/2007	Shipp et al.	
7,175,623 B2	2/2007	Thramann et al.	
7,195,633 B2	3/2007	Medoff et al.	
7,220,263 B2	5/2007	Cordaro	

7,255,699 B2	8/2007	Paul	
7,273,481 B2	9/2007	Lombardo et al.	
7,288,095 B2	10/2007	Baynham et al.	
7,306,605 B2	12/2007	Ross	
7,309,340 B2	12/2007	Fallin et al.	
7,695,472 B2 *	4/2010	Young	606/70
2004/0030336 A1	2/2004	Khanna	
2005/0187551 A1	8/2005	Orbay et al.	
2006/0122603 A1	6/2006	Kolb	
2006/0241612 A1	10/2006	Medoff	
2007/0088360 A1	4/2007	Orbay et al.	
2007/0118126 A1	5/2007	Medoff et al.	
2007/0212915 A1	9/2007	Strnad et al.	
2008/0021477 A1	1/2008	Strnad et al.	

OTHER PUBLICATIONS

Acumed, "Mayo Clinic Congruent Elbow Plate System", Acumed brochure CPS00-01-03; Effective: Apr. 2006; Copyright © 2006.

(Continued)

Primary Examiner — Ian Simmons

Assistant Examiner — Charles Hanson

(74) *Attorney, Agent, or Firm* — Harness, Dickey

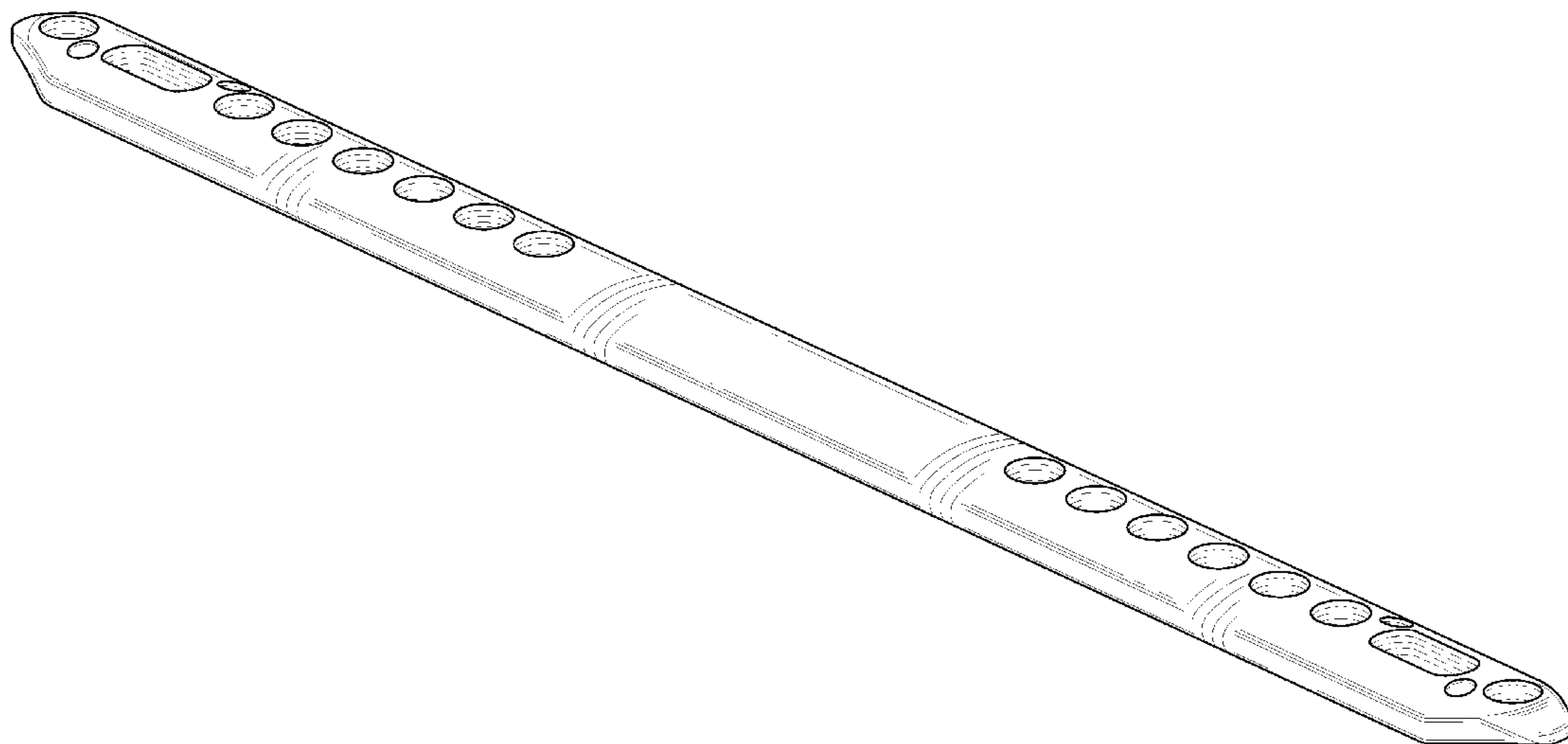
(57) **CLAIM**

The ornamental design for an orthopedic wrist spanning bone plate, as shown and described.

DESCRIPTION

FIG. 1 is a top perspective view of an orthopedic wrist spanning bone plate showing our new design; FIG. 2 is a top plan view thereof; FIG. 3 is a right side elevation view thereof, the side opposite being a mirror image; FIG. 4 is an end elevation view thereof, the end opposite being a mirror image; FIG. 5 is a bottom perspective view thereof; and, FIG. 6 is a bottom plan view thereof. The broken lines are for illustrative purposes only and form no part of the claimed design.

1 Claim, 3 Drawing Sheets



OTHER PUBLICATIONS

- Arthrex, "The Arthrex Humeral SuturePlate™ Proximal Humeral Fracture Management System", © Copyright Arthrex, Inc., 2006.
- DePuy, "ALPS (Anatomic Locked Plating System) Distal Tibia Plating System, Anterolateral & Medical Distal Tibia Locking Plates, Surgical Technique"; DePuy brochure 0612-64-506, © 2009 DePuy Orthopedics, Inc.
- DePuy, "ALPS (Anatomic Locked Plating System) Hand Fracture System, Surgical Technique"; DePuy brochure 0612-50-507; © 2008 DePuy Orthopedics, Inc.
- DePuy, "Polyax Wide Angle Freedom, Surgical Technique, Proximal Tibial Locked Plating System", DePuy brochure 0612-55-501, © 2006, DePuy Orthopedics, Inc.
- Kinetikos Medical Inc., "Surgical Technique, Viper™ with VALT, Distal Radius Plate with Variable Angle Locking Technology"; KMI brochure © 2006 KMI.
- Newclip Technics SAS Alians Trauma, "Proximal humerus plate, DualTech System®: variable angle locking System"; Newclip Technics Surgical Technique, Edition 5, Feb. 28, 2000.
- Newclip Technics, "Polyaxial Locking Humerus Plate"; Newclip Technics Innovation Means Motion brochure; www.newcliptechnics.com.
- Small Bone Innovations, Inc., "Precise SD™ Distal Radius System"; SBI brochure 8252 2M Copyright © 2008 Small Bone Innovations, Inc.
- Small Bone Innovations, Inc., "Precise SD™ Distal Radius System Surgical Technique"; SBI brochure MKT 31010 Rev. C, Nov. 2008; Copyright © 2008 Small Bone Innovations, Inc.
- Smith & Nephew, "PERI-LOC™ VLP Variable-Angle Locked Plating System, Increasing surgical freedom; Restoring patient function"; Orthopaedic Reconstruction & Trauma; Smith & Nephew brochure 7118-1292; Aug. 2008.
- Smith & Nephew, "PERI-LOC™ VLP Variable-Angle Locked Plating System, Surgical Technique"; Orthopaedic Trauma & Clinical Therapies; Smith & Nephew brochure 7118-1201; Mar. 2008.
- Smith & Nephew, "PERI-LOC™ Upper Extremity Locked Plating System, Surgical Technique, Proximal Humerus Locking Plate"; Orthopaedic Trauma & Clinical Therapies; Smith & Nephew brochure 7118-1095; Sep. 2006.
- Stryker, "Matrix-SmartLock Procedural Guide, Leibinger Solutions for Hand Surgery, Polyaxial Locking System for Distal Radius"; Literature No. 90-07 650; Print Date Jun. 2006 Rev. -2; Copyright © 2006 Stryker.
- Stryker, "Numelock II® Polyaxial Locking System Operative Technique, Trauma Applications"; Literature No. 982195; Copyright © 2004 Stryker.
- Stryker, "Osteosynthesis, Numelock II® Polyaxial Locking System Operative Technique, Osteotomy Applications"; Literature No. 982196; Copyright © 2006 Stryker.
- Stryker, "Osteosynthesis, VariAx Distal Radius Locking Plate System Operative Technique, Anatomical & Universal Volar Plates, Dorsal Plates, Fragment Specific Plates"; Literature No. 90-07800; Copyright © 2008 Stryker.
- Stryker, "Osteosynthesis, VariAx Foot Locking Plate System, Trauma and Deformity Correction, Polyaxial Locking Technology, Comprehensive Calcaneal Fracture Plates"; Literature No. 90-07804; Copyright © 2007 Stryker.
- Stryker, "Osteosynthesis, VariAx Foot Locking Plate System, Operative Technique, Trauma and Deformity Correction, Polyaxial Locking Technology, Comprehensive Calcaneal Fracture Plates"; Literature No. 90-07805; Copyright © 2007 Stryker.
- Stryker, "Osteosynthesis, Stryker Hand Plating System Operative Technique, VariAx Hand Locking Plate Module, Profyle Hand Standard Plating Module"; Literature No. 90-07555; Copyright © 2007 Stryker.
- Stryker, "Osteosynthesis, AxSOS Locking Plate System, Proximal Humerus, Distal Lateral Femur, Proximal Lateral Tibia, Distal Medial Tibia, Distal Anterolateral Tibia"; Literature No. 982293; Copyright © 2007 Stryker.
- Stryker, "Osteosynthesis, AxSOS Locking Plate System, Operative Technique, Small Fragment, Basic Fragment"; Literature No. 982295; Copyright © 2006 Stryker.
- Stryker, "Trauma, Distal Radius Locking Plate System, Anatomical & Universal Volar Plates, Dorsal Plates, Fragment Specific Plates"; Literature No. LVXPB; Copyright © 2006 Stryker.
- Synthes, Inc., "Synthes® 2.4 mm Variable Angle LCP Volar Extra-Articular Distal Radius System. For fragment-specific fracture fixation with variable angle locking technology"; Technique Guide © Sep. 2008 Synthes, Inc.
- Litos/Tifix, "Tifix® Technology Pressure Plate Technology Multidirectional angular stable Titanium plate and screw systems"; General & Special Instructions; copyright © Litos/GmbH & Co. KG, Rev. Feb. 6, 2008.
- Tornier Surgical Implants, "Aequalis® Humeral Plate"; Tornier brochure SS-201; Sep. 2007.
- Zimmer, Inc., "NCB® Proximal Humerus Plating System Surgical Technique"; Zimmer brochure 06.01209.012 © 2005 Zimmer, Inc.
- Zimmer, Inc., "Small Fragment Universal Locking System Surgical Technique"; Zimmer trauma brochure 97-4936-002-00 © 2006 Zimmer, Inc.
- Zimmer, Inc., "Universal Locking System Surgical Technique"; Zimmer trauma brochure 97-4936-001-00 © 2006 Zimmer, Inc.

* cited by examiner

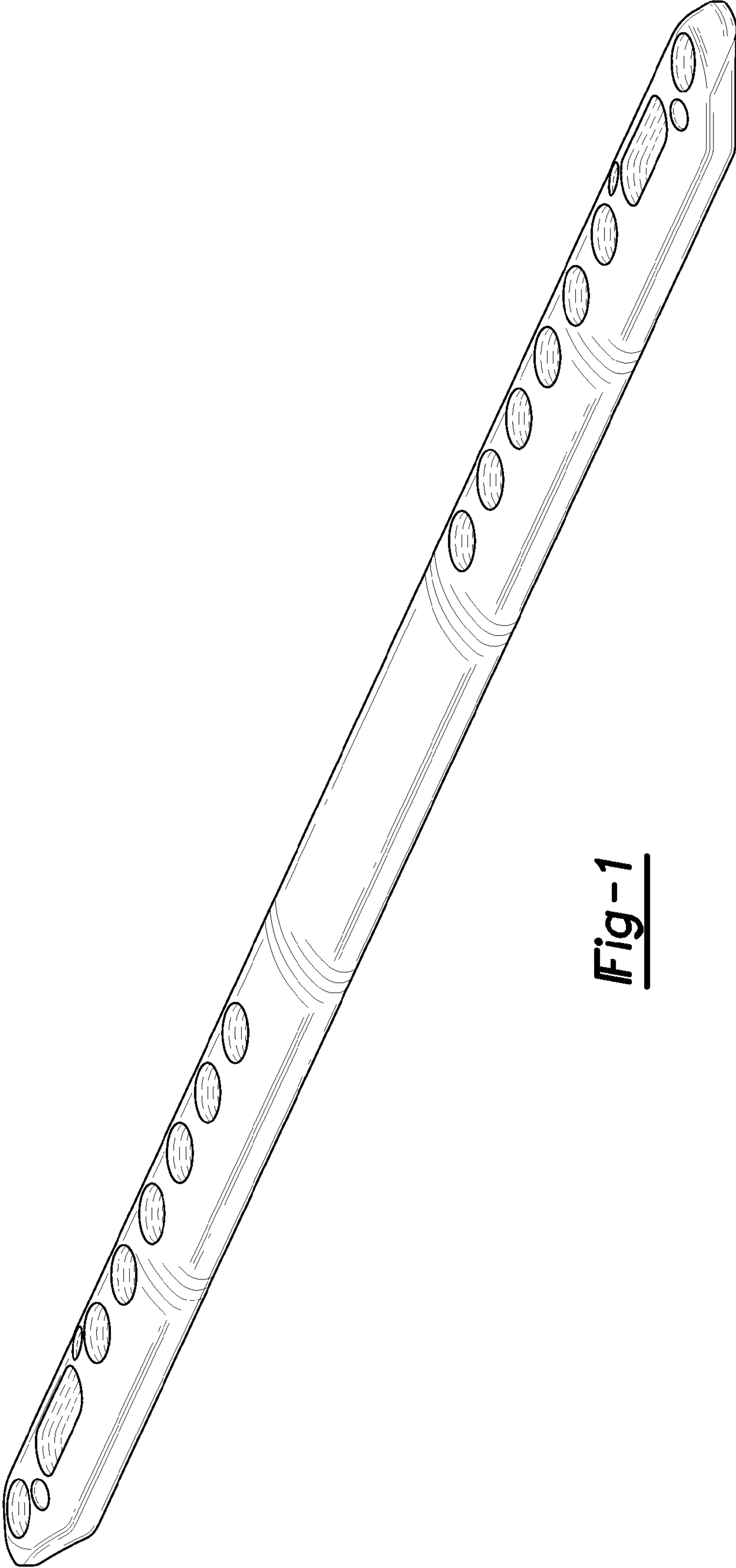


Fig-1

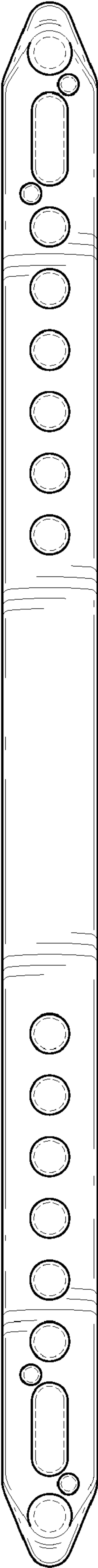


Fig-2

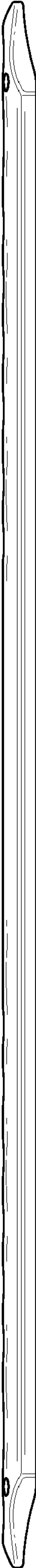


Fig-3

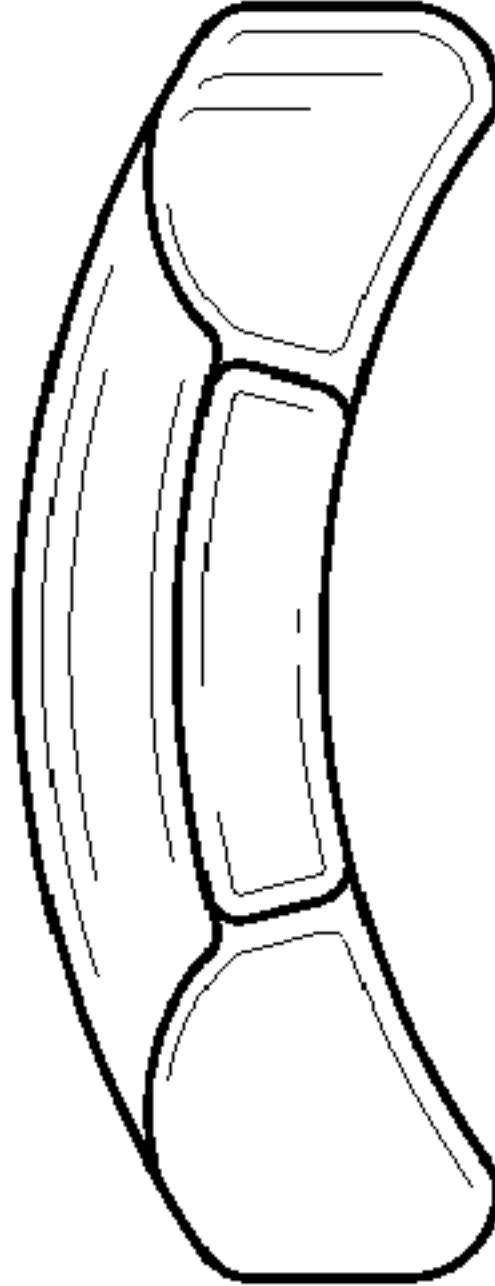


Fig-4

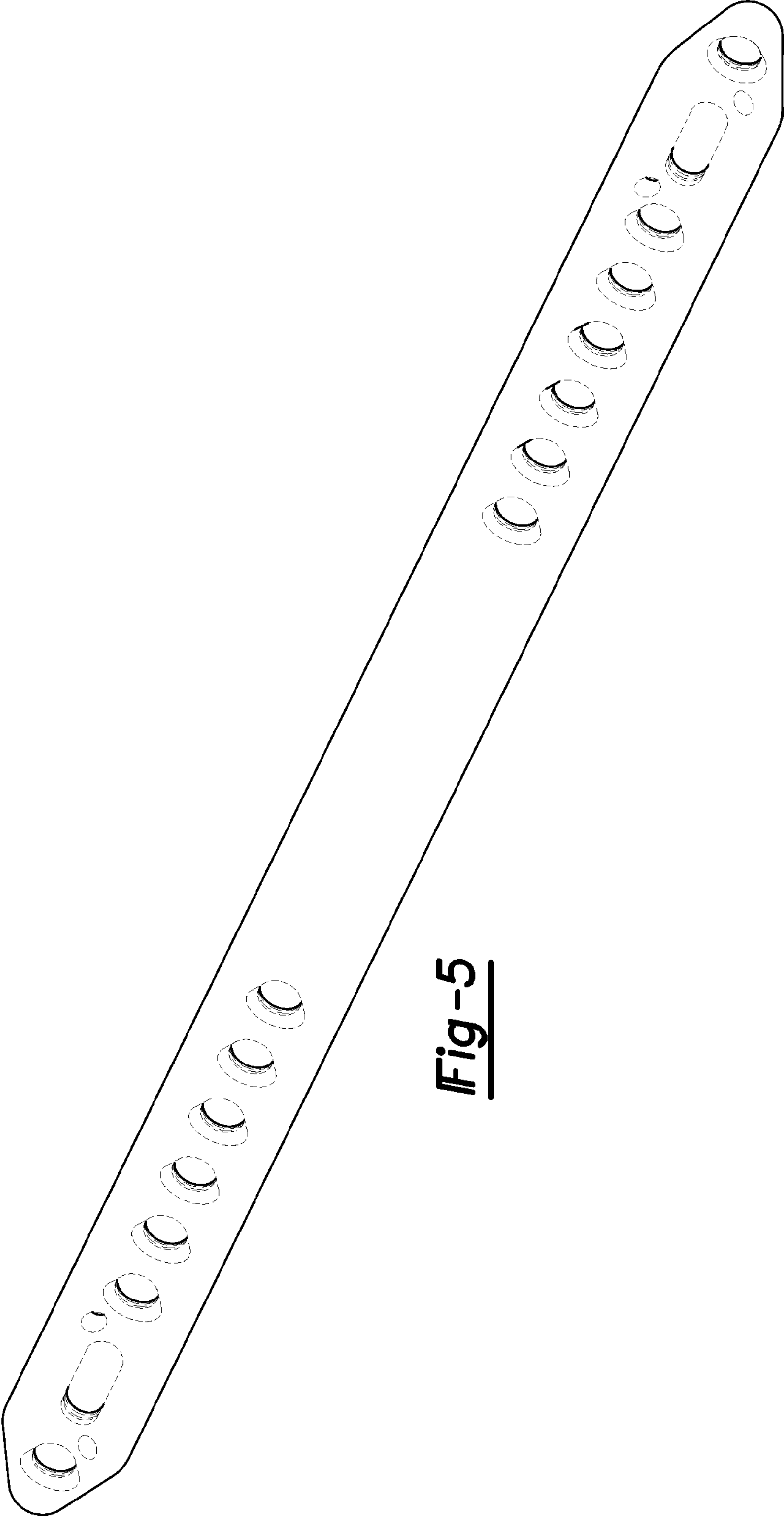


Fig-5



Fig-6