



US00D643120S

(12) **United States Design Patent**
Bardy

(10) **Patent No.:** **US D643,120 S**

(45) **Date of Patent:** **** Aug. 9, 2011**

(54) **IMPLANTATION INSTRUMENT**

(76) Inventor: **Gust H. Bardy**, Carnation, WA (US)

(**) Term: **14 Years**

(21) Appl. No.: **29/365,792**

(22) Filed: **Jul. 14, 2010**

(51) **LOC (9) Cl.** **24-02**

(52) **U.S. Cl.** **D24/141**

(58) **Field of Classification Search** D24/155,
D24/156, 133, 152, 154, 135, 141, 144-147,
D24/151; 606/167; 623/23.54, 23.7, 1.15,
623/903; 604/57, 59, 60; 600/564; 607/40
See application file for complete search history.

(56) **References Cited**

U.S. PATENT DOCUMENTS

D295,318 S *	4/1988	Gazale	D24/147
D301,378 S *	5/1989	Shippert	D24/141
D396,287 S *	7/1998	Morales	D24/141
6,261,243 B1 *	7/2001	Burney et al.	600/564
7,247,160 B2 *	7/2007	Seiler et al.	606/167
D593,201 S *	5/2009	Lash et al.	D24/135
7,942,843 B2 *	5/2011	Tune et al.	604/60
2003/0135153 A1 *	7/2003	Hagemeier	604/59
2007/0249992 A1 *	10/2007	Bardy	604/60

2009/0018603 A1 *	1/2009	Mitelberg et al.	607/40
2010/0249696 A1 *	9/2010	Bardy	604/60
2010/0318022 A1 *	12/2010	Bardy	604/60

* cited by examiner

Primary Examiner — Ian Simmons

Assistant Examiner — Charles Hanson

(74) *Attorney, Agent, or Firm* — Patrick J. S. Inouye

(57) **CLAIM**

The ornamental design for an implantation instrument, as substantially shown and described.

DESCRIPTION

FIG. 1 is a top perspective view showing an implantation instrument.

FIG. 2 is a bottom perspective view of the implantation instrument of FIG. 1.

FIG. 3 is a top plan view of the implantation instrument of FIG. 1.

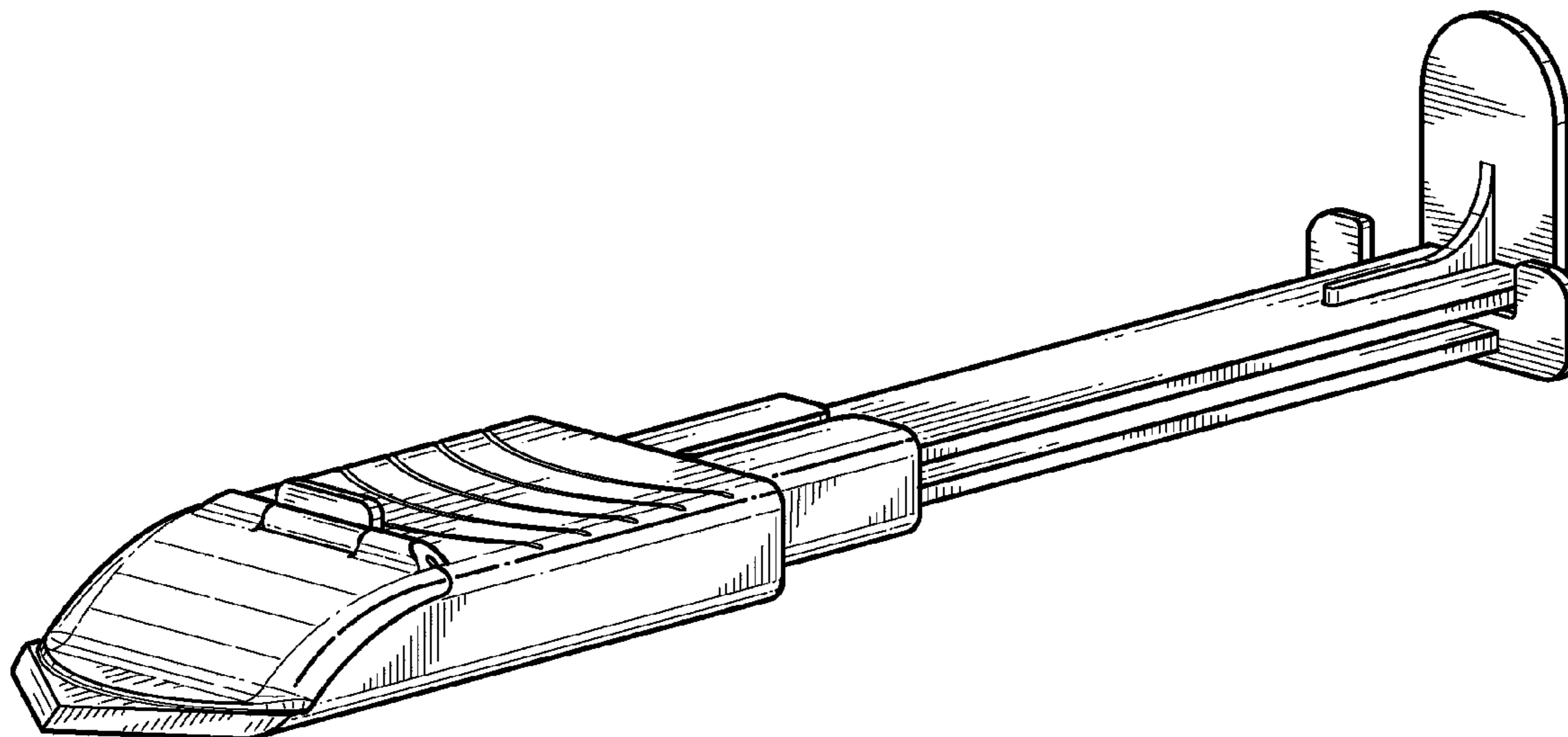
FIG. 4 is a bottom plan view of the implantation instrument of FIG. 1.

FIG. 5 is a side elevational view of the implantation instrument of FIG. 1.

FIG. 6 is a front elevational view of the implantation instrument of FIG. 1; and,

FIG. 7 is a rear elevational view of the implantation instrument of FIG. 1.

1 Claim, 3 Drawing Sheets



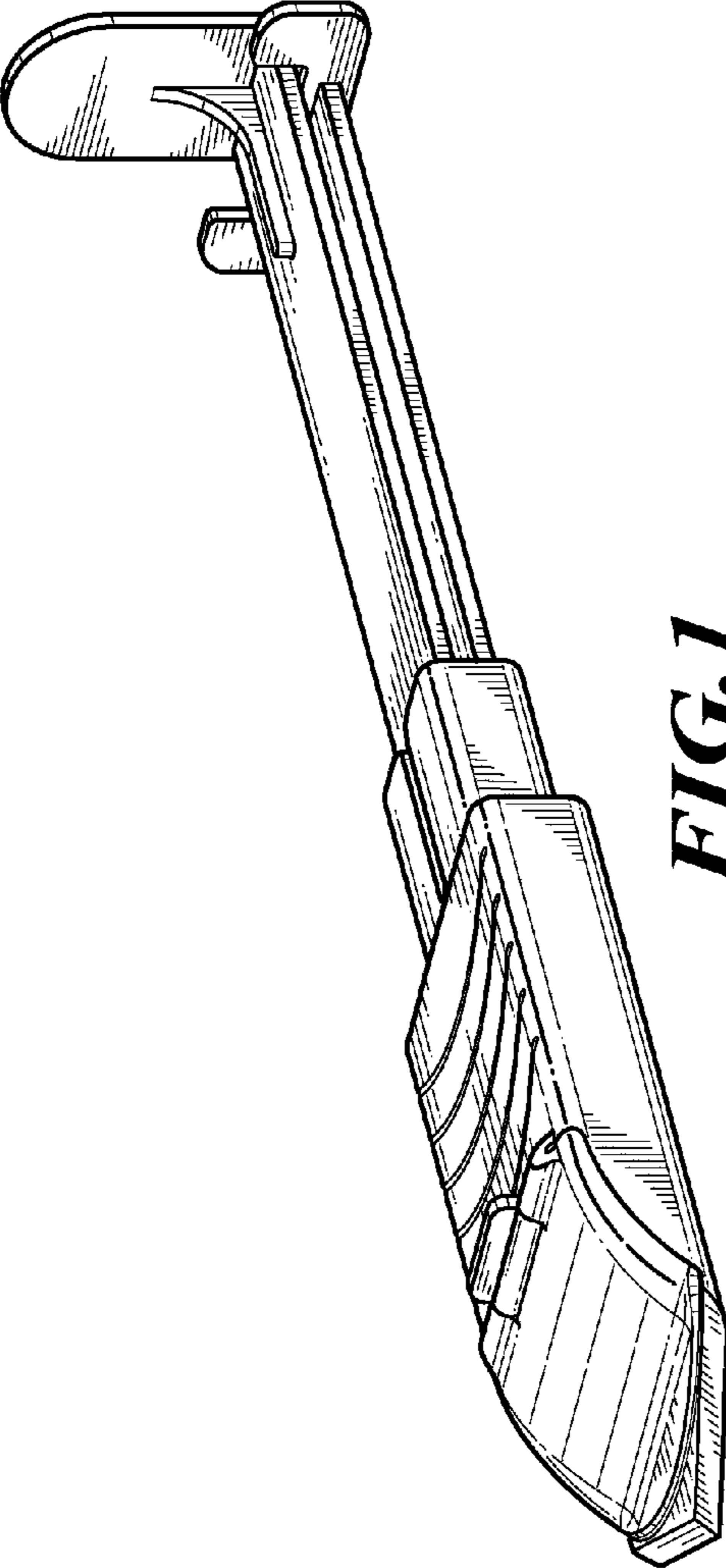


FIG. 1

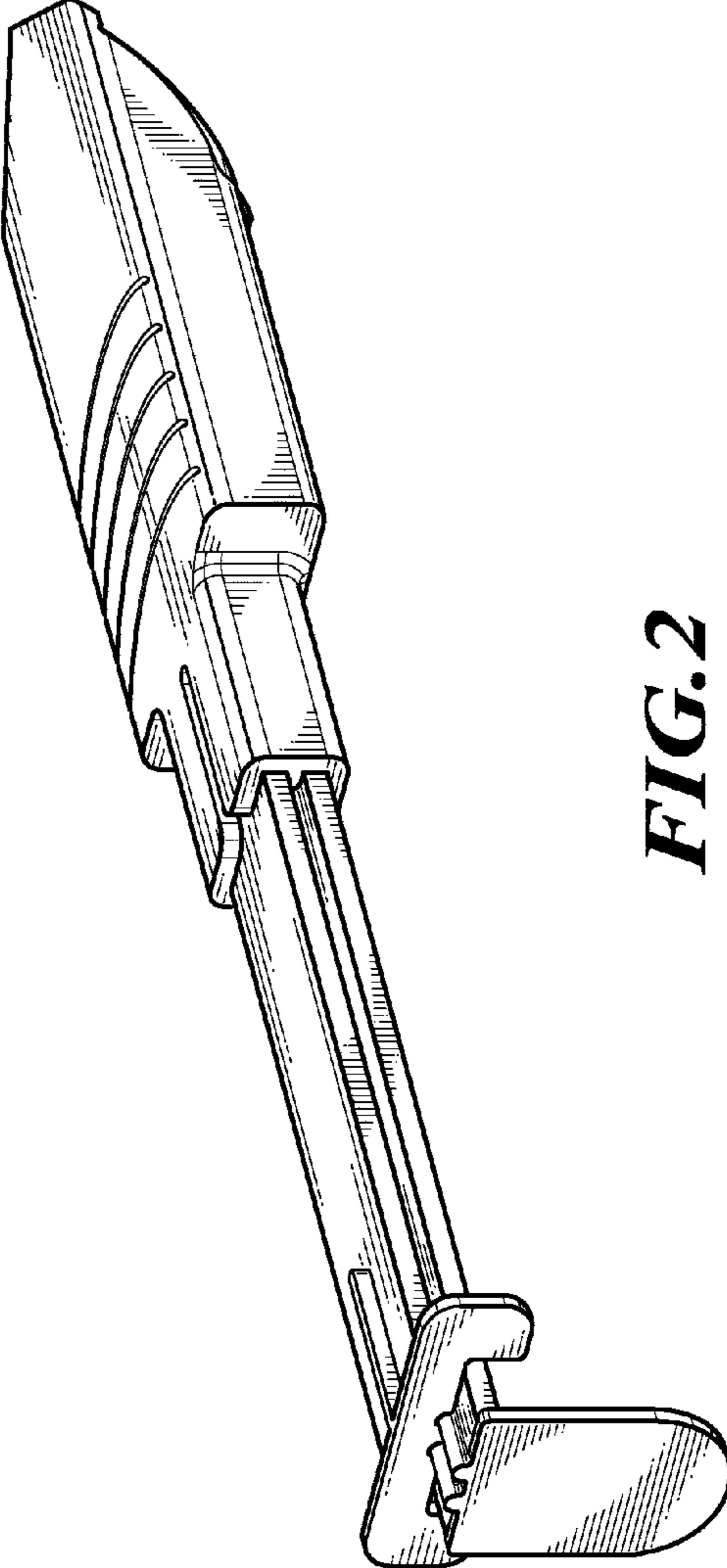


FIG. 2

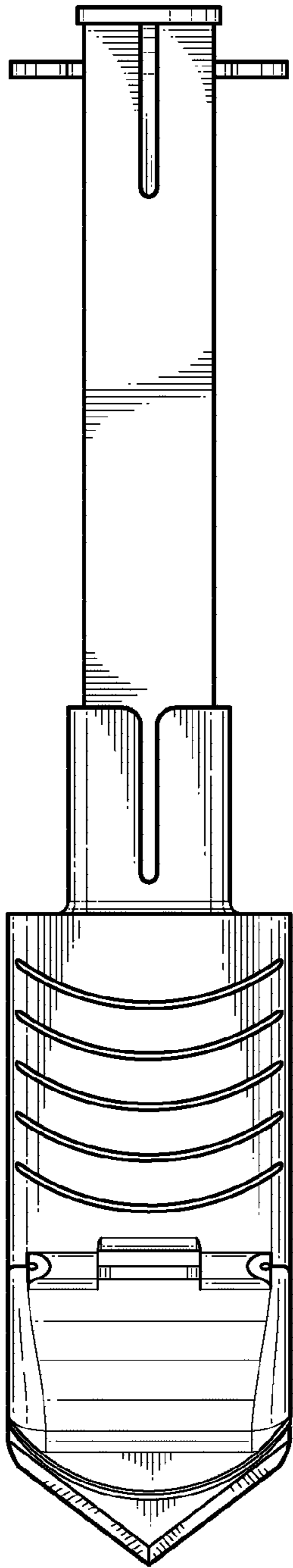


FIG. 3

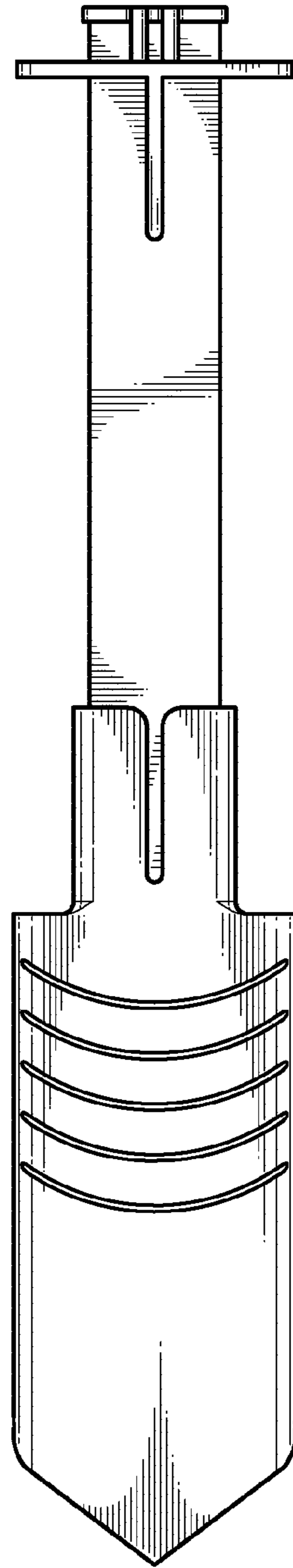


FIG. 4

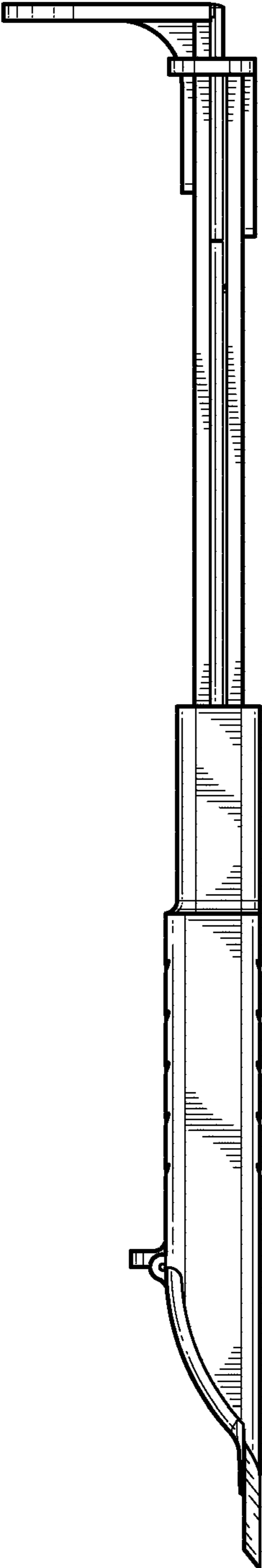


FIG. 5

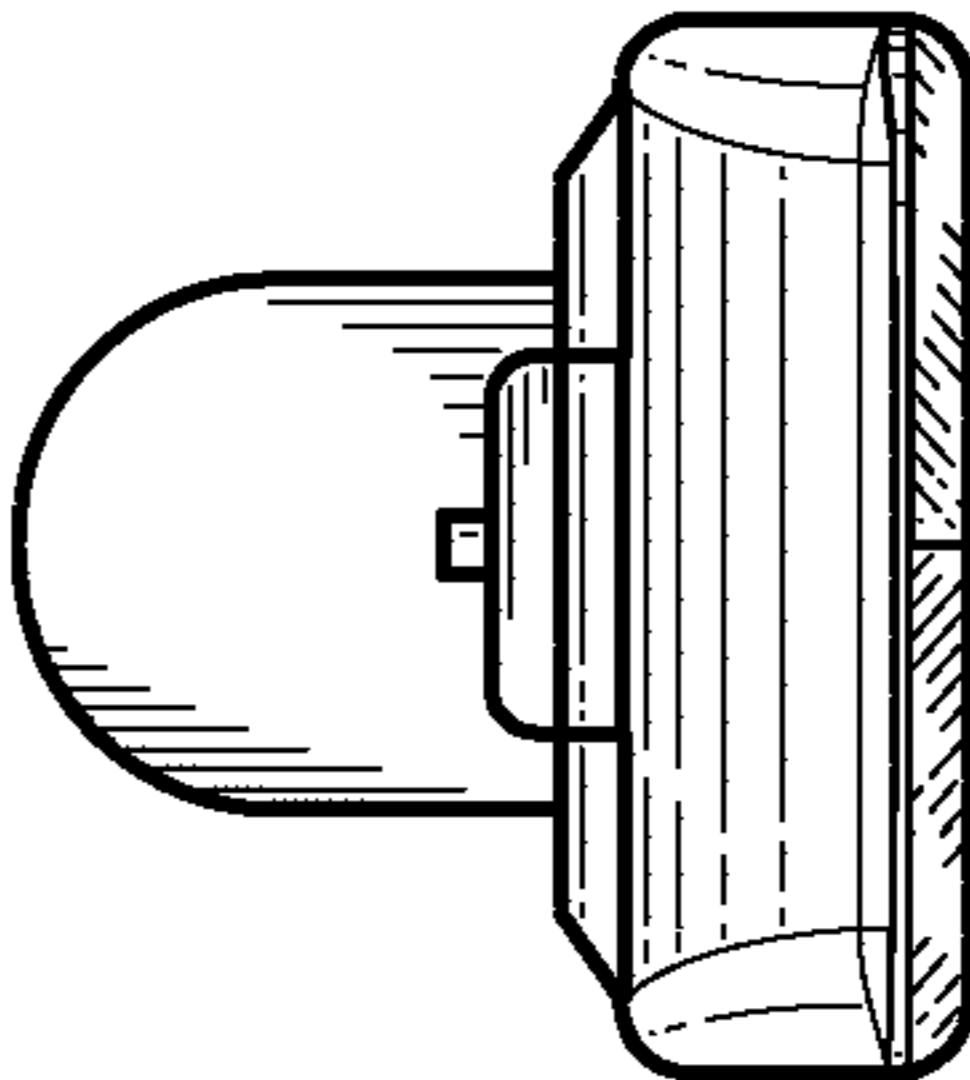


FIG. 6

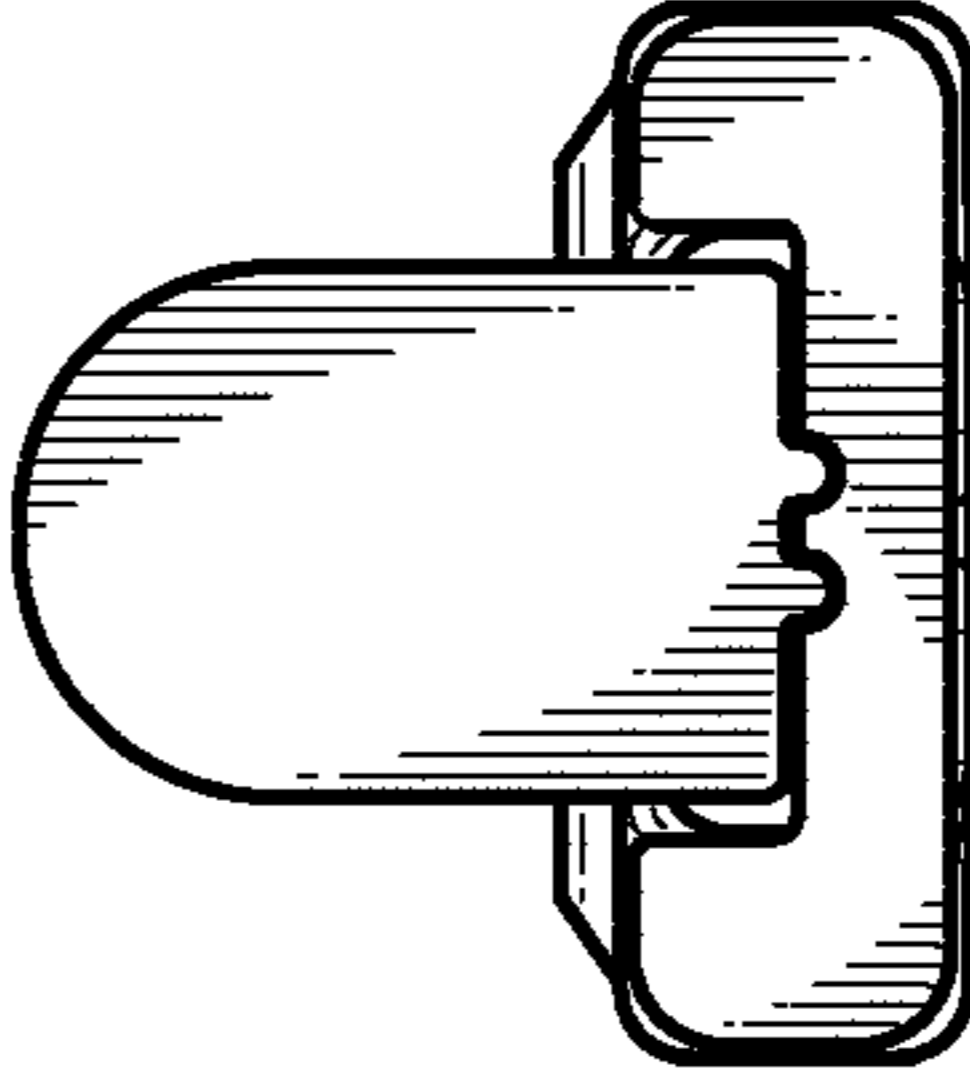


FIG. 7